

Dialight



Dialight LED Lighting Catalogue - APAC

for Industrial and Hazardous Areas



APRIL 2020



Cover and above photo: The crushing plant and beneficiation plant at Mineral Resources' Wodgina Minesite

About Dialight

With over 40 years of industrial LED lighting experience and the largest installed base in the world, Dialight's extensive network of support staff, distributor and channel partners are ready to help you select among our wide range of products to identify a lighting solution that meets your specific needs.

Reliant™

- LED lighting for light industrial applications
- 10 year warranty

Vigilant®

- LED lighting for general industrial applications
- 10 year warranty

DuroSite®

- LED lighting for general industrial applications
- 5 & 10 year warranty

SafeSite®



- LED lighting for hazardous applications
- 5 & 10 year warranty

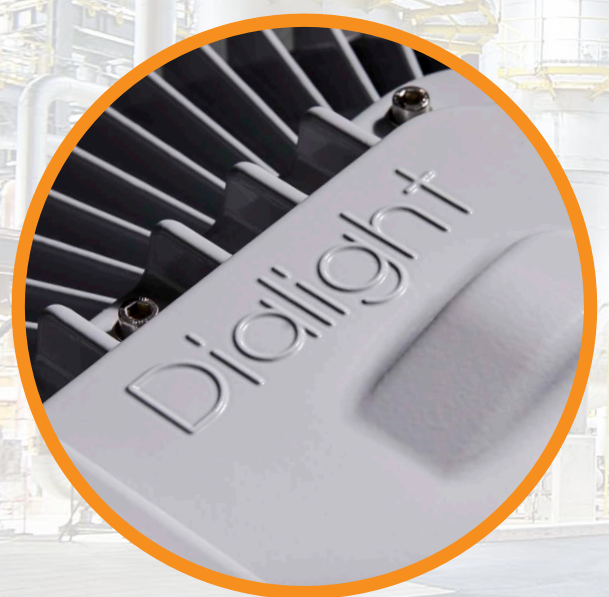


Table of Contents

Reliant™ LED Lighting for Industrial Applications

| | |
|-----------------------|-------|
| Reliant™ LED High Bay | 12-13 |
|-----------------------|-------|

Vigilant® LED Lighting for Industrial Applications

| | |
|--|-------|
| Vigilant® LED High Bay | 14-19 |
| Vigilant® LED Low Bay | 20-25 |
| Vigilant® LED High Bay - High Output | 26-27 |
| Vigilant® LED Single and Dual Floodlight | 28-31 |
| Vigilant® LED Linear | 32-35 |
| Vigilant® LED Area Light | 36-41 |
| Vigilant® LED Conveyor Light | 42-43 |

DuroSite® LED Lighting for Industrial Applications

| | |
|-------------------------------------|-------|
| DuroSite® LED Floodlight | 44-45 |
| DuroSite® LED Linear | 46-47 |
| DuroSite® LED Bulkhead/Shower Light | 48-51 |

SafeSite® LED Lighting for Hazardous Applications

| | |
|--|-------|
| SafeSite® LED High Bay - High Efficiency | 52-53 |
| SafeSite® LED Floodlight - IECEx/ATEX | 54-55 |
| SafeSite® LED Floodlight | 56-57 |
| SafeSite® LED Area Light | 58-61 |
| SafeSite® LED GRP Linear | 62-65 |
| SafeSite® LED Linear | 66-67 |
| SafeSite® LED Stainless Steel Linear | 68-69 |
| SafeSite® LED Bulkhead | 70-73 |



StreetSense® LED Street Lighting

| | |
|--|-------|
| StreetSense® LED Street Light | 74-75 |
| StreetSense® LED Street Light - IECEx/ATEX | 76-77 |



Obstruction LED Lighting

| | |
|----------|-------|
| Overview | 78-79 |
|----------|-------|

Hazardous Area Ratings

Fixed and portable fixtures for installation and use in hazardous areas.



Zones

The zone defines the probability of hazardous material being present in an explosive concentration in the atmosphere.

| Zone | Hazardous Material in Surrounding Atmosphere |
|------------|---|
| Zone 0, 20 | Area in which an explosive gas / dust mixture is continuously present or present for long periods |
| Zone 1, 21 | Area in which an explosive gas / dust mixture is likely to occur for short periods in normal operation |
| Zone 2, 22 | Area in which an explosive gas / dust mixture is present for a very short time due to an abnormal condition |

Protection Types

The protection types are used to denote the protection concept utilised in the devices.

| Ex | Presence of Hazardous Material | Zones |
|-----------|--|--------------|
| Ex d | Flameproof (Explosion proof) Enclosure | 1, 21, 2, 22 |
| Ex e | Increased Safety | 1, 21, 2, 22 |
| Ex m | Encapsulation | 1, 21, 2, 22 |
| Ex n or N | Non incandive or/and normally no sparking circuits | 2, 22 |

Temperature Ratings

Certified equipment is tested for maximum temperature rating by approval agencies.

Equipment for Group II receives a temperature code indicating the maximum temperatures of the product.

| Temperature Rating | |
|--------------------|-------|
| T1 | 450°C |
| T2 | 300°C |
| T3 | 200°C |
| T4 | 135°C |
| T5 | 100°C |
| T6 | 85°C |

Groups (Gas & Dust)

Equipment is tested for suitability in specified gas groups and dust groups.

Gas groups IIA, IIB, IIC. Dust groups IIIA, IIIB, IIIC

| Group | Hazardous Material in Surrounding Atmosphere |
|------------|--|
| Group IIA | Propane group |
| Group IIB | Ethylene group |
| Group IIC | Hydrogen group |
| Group IIIA | Combustible flyings |
| Group IIIB | Non-conductive dust |
| Group IIIC | Conductive dust |

Hazardous Locations Ratings

Fixed and portable fixtures for installation and use in hazardous (classified) locations Class I, Divisions 1 and 2, Groups A, B, C, and D; Class II, Division 1, Groups E, F, and G; Class II, Division 2, Groups F and G; and Class III, Divisions 1 and 2, in accordance with the National Electrical Code, NFPA 70

Classes

The classes define the general nature of hazardous material in the surrounding atmosphere.

| Class | Hazardous Material in Surrounding Atmosphere |
|-----------|--|
| Class I | Hazardous because flammable gases or vapors are present in the air in quantities sufficient to produce explosive or ignitable mixtures |
| Class II | Hazardous because combustible or conductive dusts are present |
| Class III | Hazardous because ignitable fibers or flying's are present, but not likely to be in suspension in sufficient quantities to produce ignitable mixtures. Typical wood chips, cotton, flax and nylon. Group classifications are not applied to this class |

Divisions

The division defines the probability of hazardous material being present in an ignitable concentration in the surrounding atmosphere.

| Division | Presence of Hazardous Material |
|------------|--|
| Division 1 | The substance referred to by class is present during normal conditions |
| Division 2 | The substance referred to by class is present only in abnormal conditions, such as a container failure or system breakdown |

Groups

The group defines the hazardous material in the surrounding atmosphere.

| Group | Hazardous Material in Surrounding Atmosphere |
|---------|--|
| Group A | Acetylene |
| Group B | Hydrogen, fuel and combustible process gases containing more than 30% hydrogen by volume or gases of equivalent hazard such as butadiene, ethylene, oxide, propylene oxide and acrolein |
| Group C | Carbon monoxide, ether, hydrogen sulfide, morphine, cyclopropane, ethyl and ethylene or gases of equivalent hazard |
| Group D | Gasoline, acetone, ammonia, benzene, butane, cyclopropane, ethanol, hexane, methanol, methane, vinyl chloride, natural gas, naphtha, propane or gases of equivalent hazard |
| Group E | Combustible metal dusts, including aluminum, magnesium and their commercial alloys or other combustible dusts whose particle size, abrasiveness and conductivity present similar hazards in connection with electrical equipment |
| Group F | Carbonaceous dusts, carbon black, coal black, charcoal, coal or coke dusts that have more than 8% total entrapped volatiles or dusts that have been sensitized by other material so they present an explosion hazard |
| Group G | Flour dust, grain dust, flour, starch, sugar, wood, plastic and chemicals |

Reference:
http://www.engineeringtoolbox.com/hazardous-areas-classification-d_347.html

Reliant™ LED Lighting Fixtures for Industrial Applications



LED High Bay

| | |
|----------------------------|---------------|
| Wattage Range: | 71-232W |
| Lumen Output Range: | 11,100-36,000 |
| Lumens per Watt: | up to 159 |
| Input Voltage: | 100-277 VAC |
| Mounting: | Overhead |
| Mounting Height: | Up to 12m |

Vigilant® LED Lighting Fixtures for Industrial Applications



LED High Bay

| | |
|----------------------------|------------------------------|
| Wattage Range: | 80-186W |
| Lumen Output Range: | 10,500-26,000 |
| Lumens per Watt: | Up to 140 |
| Input Voltage: | 100-277 VAC, 120-250 VDC |
| Mounting: | Overhead, Ceiling, Suspended |
| Mounting Height: | Up to 12m |



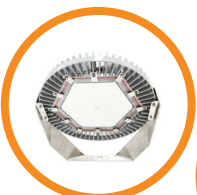
LED Low Bay

| | |
|-------------------------|------------------------------------|
| Wattage: | 80W |
| Lumen Output: | 8,750 |
| Lumens per Watt: | 109 |
| Input Voltage: | 100-277 VAC, 120-250 VDC |
| Mounting: | Overhead, Ceiling, Suspended, Wall |
| Mounting Height: | Up to 7m |



LED High Bay - High Output

| | |
|----------------------------|----------------------|
| Wattage Range: | 309-506W |
| Lumen Output Range: | 45,000-72,000 |
| Lumens per Watt: | 139-149 |
| Input Voltage: | 120-277 VAC, 415 VAC |
| Mounting: | Suspended |
| Mounting Height: | Up to 30m |



LED Floodlight & Dual Floodlight

| | |
|----------------------------|--------------------------|
| Wattage Range: | 190-385W |
| Lumen Output Range: | 27,000-56,000 |
| Lumens per Watt: | 135-147 |
| Input Voltage: | 100-277 VAC, 120-250 VDC |
| Mounting: | Pole, Structure |
| Mounting Height: | Up to 25m |

DISCLAIMER. All product information provided is, to the best of Dialight's knowledge, accurate as of the date of publication. When ordering, refer to www.dialight.com for current versions of: (a) relevant product documentation (including the relevant product data sheets); (b) Dialight terms and conditions of sale; and, (c) the relevant product warranty. To the extent that any contract is deemed formed between Dialight and the purchaser of Dialight products and/or an end-user, versions of documents available at www.dialight.com as at the date of sale shall be the versions incorporated therein. In the event of any discrepancy between this document or information provided at www.dialight.com, the latter shall prevail.

Vigilant® LED Lighting Fixtures for Industrial Applications



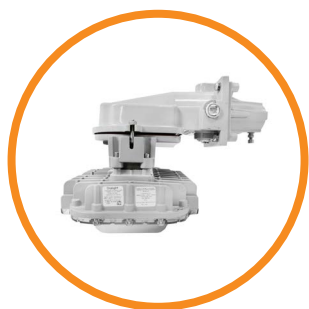
LED Area Light

| | |
|----------------------------|--------------------------|
| Wattage Range: | 24-66W |
| Lumen Output Range: | 3,000-9,000 |
| Lumens per Watt: | Up to 143 |
| Input Voltage: | 100-277 VAC, 120-250 VDC |
| Mounting: | Ceiling, Wall, Pole |
| Mounting Height: | Up to 10m |



LED Linear

| | |
|----------------------------|--------------------------|
| Wattage Range: | 37-52W |
| Lumen Output Range: | 4,450-6,400 |
| Lumens per Watt: | Up to 123 |
| Input Voltage: | 100-277 VAC, 120-250 VDC |
| Mounting: | Ceiling, Wall, Pole |
| Mounting Height: | Up to 9m |



LED Conveyor Light

| | |
|----------------------------|--------------------------|
| Wattage Range: | 64W |
| Lumen Output Range: | 6,700-7,500 |
| Lumens per Watt: | Up to 114 |
| Input Voltage: | 100-277 VAC, 120-250 VDC |
| Mounting: | 34mm pole mount |
| Mounting Height: | Up to 6m |

DuroSite® LED Lighting Fixtures for Industrial Applications

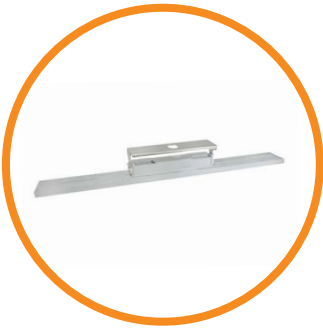


LED Floodlight

| | |
|----------------------------|---------------|
| Wattage Range: | 106-140W |
| Lumen Output Range: | 11,250-15,000 |
| Lumens per Watt: | 108-111 |
| Input Voltage: | 100-277 VAC |
| Mounting: | Wall, Pole |
| Mounting Height: | Up to 15m |

DISCLAIMER. All product information provided is, to the best of Dialight's knowledge, accurate as of the date of publication. When ordering, refer to www.dialight.com for current versions of: (a) relevant product documentation (including the relevant product data sheets); (b) Dialight terms and conditions of sale; and, (c) the relevant product warranty. To the extent that any contract is deemed formed between Dialight and the purchaser of Dialight products and/or an end-user, versions of documents available at www.dialight.com as at the date of sale shall be the versions incorporated therein. In the event of any discrepancy between this document or information provided at www.dialight.com, the latter shall prevail.

DuroSite® LED Lighting Fixtures for Industrial Applications



LED Linear

| | |
|----------------------------|----------------|
| Wattage Range: | 33-66W |
| Lumen Output Range: | 3,300-6,700 |
| Lumens per Watt: | 100-102 |
| Input Voltage: | 100-277 VAC |
| Mounting: | Overhead, Wall |
| Mounting Height: | Up to 6m |



LED Bulkhead & Shower Light

| | |
|----------------------------|---------------------------------------|
| Wattage Range: | 22-34W |
| Lumen Output Range: | 1,150-2,125 |
| Lumens per Watt: | 55-66 (Standard) |
| Input Voltage: | 100-277 VAC, 207-264 VAC or 24-48 VDC |
| Mounting: | Wall, Pole, Stanchion |
| Mounting Height: | Up to 6m |

SafeSite® LED Lighting Fixtures for Hazardous Applications



LED High Bay - IECEx/ATEX

| | |
|----------------------------|-------------------------------|
| Wattage Range: | 88-212W |
| Lumen Output Range: | 9,650-23,500 |
| Lumens per Watt: | 110 |
| Input Voltage: | 100-277 VAC, 110-277 VAC |
| Mounting: | Pole, Overhead, Ceiling, Wall |
| Mounting Height: | Up to 12m |
| Zone: | Zone 1, 21 and Zone 2, 22 |



LED Floodlight - IECEx/ATEX

| | |
|----------------------------|-------------------------------|
| Wattage Range: | 144-212W |
| Lumen Output Range: | 16,000-23,000 |
| Lumens per Watt: | 110 |
| Input Voltage: | 100-277 VAC, 110-277 VAC |
| Mounting: | Pole, Overhead, Ceiling, Wall |
| Mounting Height: | Up to 12m |
| Zone: | Zone 1, 21 and Zone 2, 22 |



DISCLAIMER. All product information provided is, to the best of Dialight's knowledge, accurate as of the date of publication. When ordering, refer to www.dialight.com for current versions of: (a) relevant product documentation (including the relevant product data sheets); (b) Dialight terms and conditions of sale; and, (c) the relevant product warranty. To the extent that any contract is deemed formed between Dialight and the purchaser of Dialight products and/or an end-user, versions of documents available at www.dialight.com as at the date of sale shall be the versions incorporated therein. In the event of any discrepancy between this document or information provided at www.dialight.com, the latter shall prevail.

SafeSite® LED Lighting Fixtures for Hazardous Applications



LED Floodlight

| | |
|----------------------------|---------------|
| Wattage Range: | 135W |
| Lumen Output Range: | 14,750-15,000 |
| Lumens per Watt: | 109, 111 |
| Input Voltage: | 100-277 VAC |
| Mounting: | Pole, Wall |
| Mounting Height: | Up to 15m |



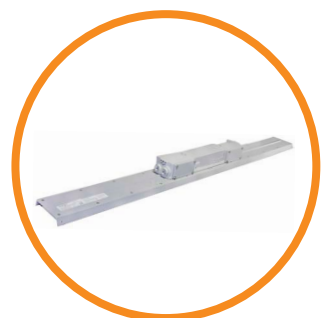
LED Area Light

| | |
|----------------------------|---------------------------|
| Wattage Range: | 24-66W |
| Lumen Output Range: | 3,000-9,000 |
| Lumens per Watt: | Up to 143 |
| Input Voltage: | 100-277 VAC, 120-250 VDC |
| Mounting: | Ceiling, Wall, Pole |
| Mounting Height: | Up to 10m |
| Zone: | Zone 1, 21 and Zone 2, 22 |



LED GRP Linear

| | |
|----------------------------|--|
| Wattage Range: | 25-51W |
| Lumen Output Range: | 2,785-5,750 |
| Lumens per Watt: | Up to 123 |
| Input Voltage: | 100-277 VAC/120-250 VDC, 230/240 (Emergency) |
| Mounting: | Ceiling, Wall, Pole |



LED Linear

| | |
|----------------------------|----------------|
| Wattage Range: | 33W, 66W |
| Lumen Output Range: | 3,300-6,700 |
| Lumens per Watt: | 100,102 |
| Input Voltage: | 100-277 VAC |
| Mounting: | Overhead, Wall |
| Mounting Height: | Up to 6m |

DISCLAIMER. All product information provided is, to the best of Dialight's knowledge, accurate as of the date of publication. When ordering, refer to www.dialight.com for current versions of: (a) relevant product documentation (including the relevant product data sheets); (b) Dialight terms and conditions of sale; and, (c) the relevant product warranty. To the extent that any contract is deemed formed between Dialight and the purchaser of Dialight products and/or an end-user, versions of documents available at www.dialight.com as at the date of sale shall be the versions incorporated therein. In the event of any discrepancy between this document or information provided at www.dialight.com, the latter shall prevail.

SafeSite® LED Lighting Fixtures

for Hazardous Applications



LED Linear & LED Emergency Linear - Stainless Steel

| | |
|----------------------------|--|
| Wattage Range: | 34W, 67W |
| Lumen Output Range: | 2,600-5,100 |
| Lumens per Watt: | 81 |
| Input Voltage: | 110-250 VAC 230-240 VAC (Emergency) |
| Mounting: | Overhead, Ceiling, Wall, Pole |
| Mounting Height: | Up to 6m |
| Zone: | Zone 1, 21 and Zone 2, 22 |



LED Bulkhead & LED Emergency Bulkhead

| | |
|----------------------------|---|
| Wattage Range: | 22-34W |
| Lumen Output Range: | 1,150-2,125 |
| Lumens per Watt: | 55-66 (Standard) |
| Input Voltage: | 100-277 VAC, 24-48 VDC 207-264 VAC (Emergency) |
| Mounting: | Overhead, Ceiling, Wall, Pole |
| Mounting Height: | Up to 6m |
| Zone: | Zone 1, 21 and Zone 2, 22 |



StreetSense® LED Street Light

for Industrial and Hazardous Area Applications



StreetSense LED Street Light

| | |
|----------------------------|--------------|
| Wattage Range: | 65-252W |
| Lumen Output Range: | 5,500-20,250 |
| Lumens per Watt: | 80-85 |
| Input Voltage: | 100-277 VAC |



StreetSense LED Street Light - IECEx/ATEX

| | |
|----------------------------|--------------|
| Wattage Range: | 65-252W |
| Lumen Output Range: | 5,500-20,250 |
| Lumens per Watt: | 80-85 |
| Input Voltage: | 100-277 VAC |
| Zone: | Zone 2 |



DISCLAIMER. All product information provided is, to the best of Dialight's knowledge, accurate as of the date of publication. When ordering, refer to www.dialight.com for current versions of: (a) relevant product documentation (including the relevant product data sheets); (b) Dialight terms and conditions of sale; and, (c) the relevant product warranty. To the extent that any contract is deemed formed between Dialight and the purchaser of Dialight products and/or an end-user, versions of documents available at www.dialight.com as at the date of sale shall be the versions incorporated therein. In the event of any discrepancy between this document or information provided at www.dialight.com, the latter shall prevail.

Obstruction LED Lighting Solutions

ICAO



Vigilant LED Based ICAO Type A

High Intensity (White / Red) Strobe

| | |
|-----------------------------|---|
| Effective Intensity: | White Day – 200,000 cd White Twilight- 20,000 cd White or Red Night- 2,000 cd |
| Wattage: | White day - 160W White twilight - 30W White Night - 23W Red Night - 30W |
| Input Voltage: | 208-277 VAC |



Vigilant LED Based ICAO Type A/Type B

Medium Intensity (White/Red) Strobe - Infrared (IR) available



| | |
|-----------------------------|--|
| Effective Intensity: | White Day- 20,000 cd White Night- 2,000 cd Red Night- 2,000 cd |
| Wattage: | White Day- 36W (system = 75W) White Night- 4W (system = 10W) Red Night- 12W (system = 25W) |
| Input Voltage: | 120-240 VAC or +/- 48 VDC |



Vigilant LED Based ICAO Type B/Type C

Medium Intensity (Red) Beacon - Infrared (IR) available



| | |
|--|---|
| Verified to meet CASA requirements under Manual of Standards Part 139 - Aerodromes | |
| Effective Intensity: | 2,000 cd |
| Wattage: | 3.3W (16.7% duty circle)- standard 7.0W (16.7% duty circle)- IR model 20 flashes per minute with 0.5 sec. on time |
| Input Voltage: | 120-240 VAC or 24-48 VDC |



Vigilant LED Based ICAO Type B/Type E

Low Intensity (Red) RTO Side Light - Infrared (IR) available



| | |
|-----------------------------|---------------------------------|
| Effective Intensity: | 32.5 cd |
| Wattage Range: | 1.5-9.0W |
| Input Voltage: | 12-48 VDC, 120-240 VAC, 277 VAC |



Vigilant LED Based ICAO Type B/Type E

Low Intensity (Red) Side Light



| | |
|-----------------------------|-----------------------------|
| Effective Intensity: | 32.5 cd |
| Wattage Range: | 13-24W |
| Input Voltage: | 12-48 VDC, 120 VAC, 230 VAC |

DISCLAIMER. All product information provided is, to the best of Dialight's knowledge, accurate as of the date of publication. When ordering, refer to www.dialight.com for current versions of: (a) relevant product documentation (including the relevant product data sheets); (b) Dialight terms and conditions of sale; and, (c) the relevant product warranty. To the extent that any contract is deemed formed between Dialight and the purchaser of Dialight products and/or an end-user, versions of documents available at www.dialight.com as at the date of sale shall be the versions incorporated therein. In the event of any discrepancy between this document or information provided at www.dialight.com, the latter shall prevail.

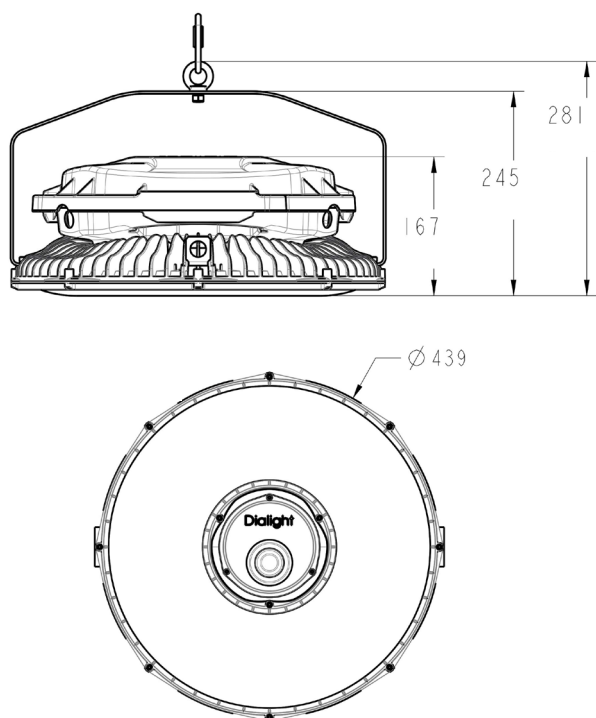
Reliant™ LED High Bay

Technical Specification



Certifications & Ratings

- 10 year warranty
- CE
- RCM*
- IP66
- L70 rated for >100,000 hours @ 55°C
- L90 rated for >100,000 hours @ 25°C



Dimensions in mm

Mechanical Information:

| | |
|------------------|-------------------|
| Fixture weight: | 9.3 kg |
| Shipping weight: | 12 kg |
| Box dimensions: | 515 x 515 x 350mm |

Mounting:

| | |
|-----------|--------------------------------------|
| Mounting: | 304 stainless steel mounting bracket |
|-----------|--------------------------------------|

Electrical Specifications:

| | |
|---------------------------------|---------------------|
| Operating voltage: | 100-277 VAC 50/60Hz |
| Operating temperature: | -40°C to +55°C |
| Total system power consumption: | See ordering table |

| | |
|------|--|
| EMC: | EN 55015 IEC 61000-3-3 IEC 61547 IEC 61000-4-2 IEC 61000-4-3 IEC 61000-4-6 IEC 61000-4-8 IEC 61000-4-11 |
|------|--|

| | |
|-----------------------|---|
| Transient protection: | 6kV/3kA combination wave, as per IEEE C62.41, line-line and line-ground IEC 61000-4-5 IEC 61000-4-4 |
|-----------------------|---|

| | |
|------|------------------------------|
| THD: | IEC 55015 <20% @ 100-277 VAC |
|------|------------------------------|

| | |
|------------|------------------------|
| Harmonics: | IEC 61000-3-2, Class C |
|------------|------------------------|

| | |
|---------------|--------------------|
| Power factor: | >0.9 @ 100-277 VAC |
|---------------|--------------------|

| | |
|----------|---------------|
| Flicker: | IEC 61000-3-3 |
|----------|---------------|

| | |
|----------|---|
| Dimming: | DALI 1.0 and 2.0 5% 0-10 VDC continuous dimming to 5% Wireless dimming via Dialight IntelliLED controls to 5% |
|----------|---|

| | |
|--------------|---|
| Cable entry: | (3) M20 1.8m cable & plug (Australia only) |
|--------------|---|

| | |
|------------|-----------------------------------|
| Terminals: | 5 position, 0.5-4 mm ² |
|------------|-----------------------------------|

Materials:

| | |
|-----------------|---|
| Housing: | Polycarbonate (upper) Aluminium (lower) |
| Lens: | Acrylic Polycarbonate & glass options available |
| Hardware: | 304 stainless steel |
| Hook: | 304 stainless steel |
| Fixture finish: | Superior dual coat finish - sealed polyester topcoat - epoxy primer |

Gaskets:

| | |
|---------------|------------|
| Light engine: | Santoprene |
|---------------|------------|

| | |
|-------------|------|
| Wiring box: | EPDM |
|-------------|------|

Photometric Information:

| | |
|------|---|
| CRI: | 80 |
| CCT: | 4000K (neutral white) 5000K (cool white) |

All values typical unless otherwise stated (tolerance +/- 10%)
*Values based on preliminary data awaiting validation or certification.

WARNING - INSTALLATION & SECONDARY RETENTION. Use of any Dialight products without proper installation (including secondary retention / netting) and periodic inspections could cause severe injury or death. Dialight recommends that all installations should use secondary retention / netting (appropriate to the installation environment) where applicable. It is the exclusive responsibility of the contractor, installer and/or end-user to: (a) determine the suitability of the product for its intended application; and, (b) ensure that the product is safely installed (with secondary retention / netting where appropriate) and in compliance with all applicable laws and regulations. To the extent permissible under applicable laws, Dialight disclaims all liability for personal injury and/or other damage resulting from any dislodgment or other dislocation of its products.

Reliant™ LED High Bay

Ordering Information

Australia

| Part Number | Fixture Lumen | Wattage | lm/W | CCT | Lens | Beam Distribution | Mounting |
|--------------------|---------------|---------|------|-----------------------|---------|-------------------|-------------------------|
| DALI Models | | | | | | | |
| RRE-2MN2-ADH1-AGN | 11,100 | 71 | 156 | 4000K (neutral white) | Acrylic | Medium | Hook, 1.8m cable & plug |
| RRE-2MN2-BDH1-AGN | 14,000 | 91 | 154 | 4000K (neutral white) | Acrylic | Medium | Hook, 1.8m cable & plug |
| RRE-2MN2-CDH1-AGN | 17,600 | 114 | 154 | 4000K (neutral white) | Acrylic | Medium | Hook, 1.8m cable & plug |
| RRE-2MN2-EDH1-AGN | 23,800 | 159 | 150 | 4000K (neutral white) | Acrylic | Medium | Hook, 1.8m cable & plug |
| RRE-2MN2-GDH1-AGN | 29,400 | 191 | 154 | 4000K (neutral white) | Acrylic | Medium | Hook, 1.8m cable & plug |
| RRE-2MN2-JDH1-AGN | 35,300 | 232 | 152 | 4000K (neutral white) | Acrylic | Medium | Hook, 1.8m cable & plug |

All values typical unless otherwise stated (tolerance +/- 10%).
For additional controls options including occupancy sensor and IntelliLED wireless controls, contact a Dialight sales representative.

Asia

| Part Number | Fixture Lumen | Wattage | lm/W | CCT | Lens | Beam Distribution | Mounting |
|--------------------|---------------|---------|------|--------------------|---------|-------------------|----------|
| DALI Models | | | | | | | |
| RRE-2MC2-ADHN-NGN | 11,300 | 71 | 159 | 5000K (cool white) | Acrylic | Medium | Hook |
| RRE-2MC2-BDHN-NGN | 14,300 | 91 | 157 | 5000K (cool white) | Acrylic | Medium | Hook |
| RRE-2MC2-CDHN-NGN | 18,000 | 114 | 158 | 5000K (cool white) | Acrylic | Medium | Hook |
| RRE-2MC2-EDHN-NGN | 24,300 | 159 | 153 | 5000K (cool white) | Acrylic | Medium | Hook |
| RRE-2MC2-GDHN-NGN | 30,000 | 191 | 157 | 5000K (cool white) | Acrylic | Medium | Hook |
| RRE-2MC2-JDHN-NGN | 36,000 | 232 | 155 | 5000K (cool white) | Acrylic | Medium | Hook |

All values typical unless otherwise stated (tolerance +/- 10%).
For additional controls options including occupancy sensor and IntelliLED wireless controls, contact a Dialight sales representative or see spec sheet.

Australia & Asia Accessories

| Part Number | Description |
|---------------|---|
| HBXCAB48 | 1.2m long stainless steel safety rope (for use with safety bracket) |
| RR-WIRELESS-1 | IntelliLED wireless controls - basic |
| RR-WS-OCC-212 | Wattstopper FSP 212 (center mounted) occupancy and daylight harvesting sensor |

Accessories



HBXCAB48



RR-WIRELESS-1



RR-WS-OCC-212

DISCLAIMER. All product information provided is, to the best of Dialight's knowledge, accurate as of the date of publication. When ordering, refer to www.dialight.com for current versions of: (a) relevant product documentation (including the relevant product data sheets); (b) Dialight terms and conditions of sale; and, (c) the relevant product warranty. To the extent that any contract is deemed formed between Dialight and the purchaser of Dialight products and/or an end-user, versions of documents available at www.dialight.com as at the date of sale shall be the versions incorporated therein. In the event of any discrepancy between this document or information provided at www.dialight.com, the latter shall prevail.

Vigilant® LED High Bay - CE

Technical Specifications



Ratings and Certifications

- 10 year warranty
- L70 >150,000 hours @ 25°C ambient
- CE / ENEC / RCM / UL
- IP66
- IK05 (acrylic lens) / IK06 (glass lens) / IK10 (polycarbonate lens)
- D-Marking to EN60598 2-24
- 0-10 V dimming as standard

*All features not available on every model. Please refer to product part number pages for model specifics.

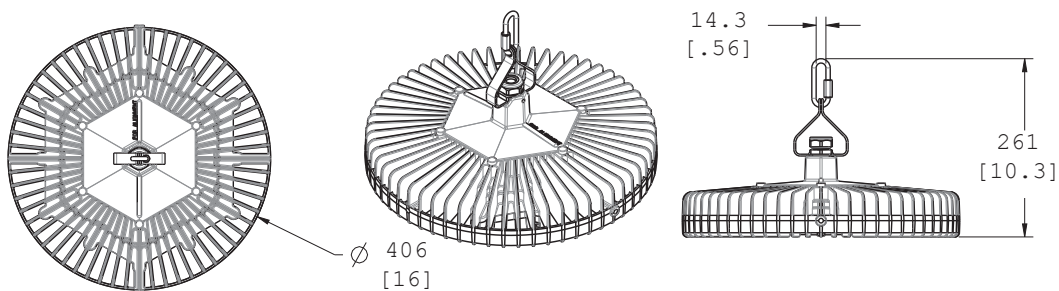
| Mechanical Information | |
|-------------------------|---|
| Fixture weight: | 10.1 kg (22 lb) |
| Shipping weight: | 12.6 kg (28 lb) |
| Mounting: | Hook (supplied) or swivel bracket (sold separately) Secondary retention option available |
| Cabling: | 1.8m H07RN-F power cord |

| Specifications | | | |
|--------------------------|--|-----------------|--|
| Voltage options: | 100-277 VAC, 120-250 VDC | Housing: | Copper-free aluminum |
| Operating temp: | -40°C to +65°C | | Tempered glass |
| Power factor: | >0.9 | Lens: | Polycarbonate (flat or dome) Acrylic (flat) |
| THD: | <20% | Finish: | Superior dual coat finish - Sealed polyester topcoat - Chemical-resistant epoxy primer |
| Surge protection: | Protection devices capable of handling up to 6kV. Tested for 6kV/2 ohm combination wave, as per IEEE C62.41, line-line and line-ground | CRI: | 80 |
| | | CCT: | 5000K (cool white) 4000K (neutral white) 2700K (warm white) |

| | Comparison | |
|-----------------------|------------|----------|
| | Warranty | L70 |
| Dialight LED High Bay | 10yr | >150,000 |
| Metal Halide | 1 | 15,000 |
| High Pressure Sodium | 1 | 20,000 |

| Lumens | Wattage | lm/W | Mounting Heights |
|--------|---------|------|------------------|
| 25,250 | 186 | 135 | 12m |
| | | | ↕ |
| 9,950 | 80 | 124 | 5m |

Dimensions



Dimension in mm [inches]

WARNING - INSTALLATION & SECONDARY RETENTION. Use of any Dialight products without proper installation (including secondary retention / netting) and periodic inspections could cause severe injury or death. Dialight recommends that all installations should use secondary retention / netting (appropriate to the installation environment) where applicable. It is the exclusive responsibility of the contractor, installer and/or end-user to: (a) determine the suitability of the product for its intended application; and, (b) ensure that the product is safely installed (with secondary retention / netting where appropriate) and in compliance with all applicable laws and regulations. To the extent permissible under applicable laws, Dialight disclaims all liability for personal injury and/or other damage resulting from any dislodgment or other dislocation of its products.

Vigilant® LED High Bay - CE

Australia Order Codes

| Part Number | Fixture Lumens | Wattage | lm/W | Voltage | Colour Temperature (CCT) | Beam Distribution |
|---|----------------|---------|------|--------------------------|--------------------------|-------------------|
| CE - Slim Body - Glass Lens - HEE7 | | | | | | |
| HEE7MN2ANH-VZGN | 11,000 | 81 | 138 | 100-277 VAC, 120-250 VDC | 4000K (neutral white) | Medium |
| HEE7MN2BNH-VZGN | 13,750 | 102 | 115 | 100-277 VAC, 120-250 VDC | 4000K (neutral white) | Medium |
| HEE7MN2CNH-VZGN | 18,000 | 129 | 154 | 100-277 VAC, 120-250 VDC | 4000K (neutral white) | Medium |
| HEE7MN2ENH-VZGN | 26,200 | 186 | 154 | 100-277 VAC, 120-250 VDC | 4000K (neutral white) | Medium |
| HEE7MC2ANH-VZGN | 11,000 | 81 | 138 | 100-277 VAC, 120-250 VDC | 5000K (cool white) | Medium |
| HEE7MC2BNH-VZGN | 14,250 | 102 | 140 | 100-277 VAC, 120-250 VDC | 5000K (cool white) | Medium |
| HEE7MC2CNH-VZGN | 19,500 | 129 | 151 | 100-277 VAC, 120-250 VDC | 5000K (cool white) | Medium |
| HEE7MC2ENH-VZGN | 26,250 | 186 | 141 | 100-277 VAC, 120-250 VDC | 5000K (cool white) | Medium |
| CE - Slim Body - Acrylic Lens - HEE2 | | | | | | |
| HEE2MN2ANH-VZGN | 10,500 | 81 | 131 | 100-277 VAC, 120-250 VDC | 4000K (neutral white) | Medium |
| HEE2MN2BNH-VZGN | 13,250 | 102 | 130 | 100-277 VAC, 120-250 VDC | 4000K (neutral white) | Medium |
| HEE2MN2CNH-VZGN | 18,000 | 129 | 140 | 100-277 VAC, 120-250 VDC | 4000K (neutral white) | Medium |
| HEE2MN2ENH-VZGN | 24,500 | 186 | 132 | 100-277 VAC, 120-250 VDC | 4000K (neutral white) | Medium |
| HEE2MC2ANH-VZGN | 10,750 | 81 | 134 | 100-277 VAC, 120-250 VDC | 5000K (cool white) | Medium |
| HEE2MC2BNH-VZGN | 13,750 | 102 | 134 | 100-277 VAC, 120-250 VDC | 5000K (cool white) | Medium |
| HEE2MC2CNH-VZGN | 18,000 | 129 | 145 | 100-277 VAC, 120-250 VDC | 5000K (cool white) | Medium |
| HEE2MC2ENH-VZGN | 24,500 | 186 | 133 | 100-277 VAC, 120-250 VDC | 5000K (cool white) | Medium |
| CE - Slim Body - Acrylic Lens - HEEL | | | | | | |
| HEELMN2ANH-VZGN | 9,950 | 81 | 124 | 100-277 VAC, 120-250 VDC | 4000K (neutral white) | Medium |
| HEELMN2BNH-VZGN | 12,750 | 102 | 125 | 100-277 VAC, 120-250 VDC | 4000K (neutral white) | Medium |
| HEELMN2CNH-VZGN | 17,500 | 129 | 136 | 100-277 VAC, 120-250 VDC | 4000K (neutral white) | Medium |
| HEELMN2ENH-VZGN | 23,750 | 186 | 128 | 100-277 VAC, 120-250 VDC | 4000K (neutral white) | Medium |
| HEELMC2ANH-VZGN | 10,250 | 81 | 128 | 100-277 VAC, 120-250 VDC | 5000K (cool white) | Medium |
| HEELMC2BNH-VZGN | 13,250 | 102 | 130 | 100-277 VAC, 120-250 VDC | 5000K (cool white) | Medium |
| HEELMC2CNH-VZGN | 18,000 | 129 | 140 | 100-277 VAC, 120-250 VDC | 5000K (cool white) | Medium |
| HEELMC2ENH-VZGN | 24,500 | 186 | 132 | 100-277 VAC, 120-250 VDC | 5000K (cool white) | Medium |

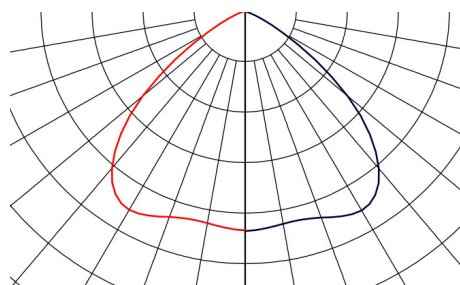
All values typical unless otherwise stated (tolerance +/- 10%).

For additional controls options including IntelliLED wireless controls, contact a Dialight sales representative for spec sheet.

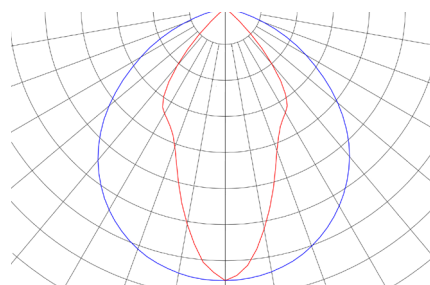
Part numbers listed in **bold** are typically available in stock.

Please see made to order options page 19 for more models available.

Beam Distribution



Medium



Oval

DISCLAIMER. All product information provided is, to the best of Dialight's knowledge, accurate as of the date of publication. When ordering, refer to www.dialight.com for current versions of: (a) relevant product documentation (including the relevant product data sheets); (b) Dialight terms and conditions of sale; and, (c) the relevant product warranty. To the extent that any contract is deemed formed between Dialight and the purchaser of Dialight products and/or an end-user, versions of documents available at www.dialight.com as at the date of sale shall be the versions incorporated therein. In the event of any discrepancy between this document or information provided at www.dialight.com, the latter shall prevail.

Vigilant® LED High Bay - UL

Technical Specifications



Ratings and Certifications

- 10 year warranty
- L70 >150,000 hours @ 25°C ambient
- UL 1598/A (wet locations)
- IP66/67
- NEMA 4X
- Up to 145 lm/W
- 0-10 V dimming as standard

*All features not available on every model. Please refer to product part number pages for model specifics.

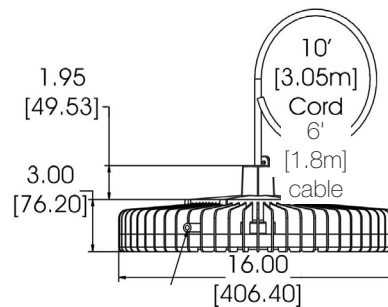
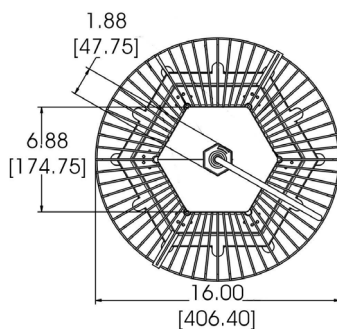
| Mechanical Information | |
|-------------------------|--|
| Fixture weight: | 20 lb (9.1 kg) |
| Shipping weight: | 26 lb (11.8 kg) |
| Mounting: | Hook or 3/4" NPT Secondary retention option available |
| Cabling: | 18 AWG STOOW |

| Specifications | |
|--------------------------|---|
| Voltage options: | 100-277 VAC, 120-250 VDC |
| Operating temp: | -40°C to +65°C |
| Power factor: | >0.9 |
| THD: | <20% |
| Surge protection: | Protection devices capable of handling up to 10kv. Tested for 6kv/2 ohm combination wave, as per IEEE C62.41, line-line and line-ground |
| Housing: | Copper-free aluminum Tempered glass |
| Lens: | Polycarbonate (flat or dome) Acrylic (flat) |
| Finish: | Superior dual coat finish - Sealed polyester topcoat - Chemical-resistant epoxy primer |
| CRI: | 80 |
| CCT: | 5000K (cool white) 4000K (neutral white) 2700K (warm white) |

| | Comparison | |
|-----------------------|------------|----------|
| | Warranty | L70 |
| Dialight LED High Bay | 10yr | >150,000 |
| Metal Halide | 1 | 15,000 |
| High Pressure Sodium | 1 | 20,000 |

| Lumens | Wattage | lm/W | Mounting Heights |
|--------|---------|------|------------------|
| 25,250 | 186 | 135 | 12m |
| | | | ↕ |
| 11,000 | 80 | 137 | 5m |

Dimensions



Dimension in inches [mm]

WARNING - INSTALLATION & SECONDARY RETENTION. Use of any Dialight products without proper installation (including secondary retention / netting) and periodic inspections could cause severe injury or death. Dialight recommends that all installations should use secondary retention / netting (appropriate to the installation environment) where applicable. It is the exclusive responsibility of the contractor, installer and/or end-user to: (a) determine the suitability of the product for its intended application; and, (b) ensure that the product is safely installed (with secondary retention / netting where appropriate) and in compliance with all applicable laws and regulations. To the extent permissible under applicable laws, Dialight disclaims all liability for personal injury and/or other damage resulting from any dislodgment or other dislocation of its products.

Vigilant® LED High Bay - UL

Asia Order Codes

| Part Number | Legacy Part Number | Fixture Lumens | Wattage | lm/W | Voltage | Colour Temperature (CCT) | Lens | Beam Distribution |
|---|--------------------|----------------|---------|------|---------------|--------------------------|----------------------|-------------------|
| UL - 3/4" NPT Models - Neutral White | | | | | | | | |
| HEU7MN2ANN-WNGN | HEGMN4DN-SNG | 11,000 | 80 | 138 | 100 - 277 VAC | Neutral White 4000K | Clear Tempered Glass | Medium |
| HEU7MN2BNN-WNGN | HEGMN4GN-SNG | 13,750 | 102 | 135 | 100 - 277 VAC | Neutral White 4000K | Clear Tempered Glass | Medium |
| HEU7MN2CNN-WNGN | HEGMN4KN-SNG | 18,750 | 129 | 145 | 100 - 277 VAC | Neutral White 4000K | Clear Tempered Glass | Medium |
| HEU7MN2ENN-WNGN | HEGMN4PN-SNG | 25,250 | 186 | 136 | 100 - 277 VAC | Neutral White 4000K | Clear Tempered Glass | Medium |
| UL - 3/4" NPT Models - Cool White | | | | | | | | |
| HEU7MC2ANN-WNGN | HEGMC4DN-SNG | 11,250 | 80 | 141 | 100 - 277 VAC | Cool White 5000K | Clear Tempered Glass | Medium |
| HEU7MC2BNN-WNGN | HEGMC4GN-SNG | 14,250 | 102 | 140 | 100 - 277 VAC | Cool White 5000K | Clear Tempered Glass | Medium |
| HEU7MC2CNN-WNGN | HEGMC4KN-SNG | 19,500 | 129 | 151 | 100 - 277 VAC | Cool White 5000K | Clear Tempered Glass | Medium |
| HEU7MC2ENN-WNGN | HEGMC4PN-SNG | 26,250 | 186 | 141 | 100 - 277 VAC | Cool White 5000K | Clear Tempered Glass | Medium |
| UL - 3/4" NPT Models - Neutral White | | | | | | | | |
| HEU2MN2ANN-WNGN | HE1MN4DN-SNG | 10,500 | 80 | 131 | 100 - 277 VAC | Neutral White 4000K | Clear Acrylic | Medium |
| HEU2MN2BNN-WNGN | HE1MN4GN-SNG | 13,250 | 102 | 130 | 100 - 277 VAC | Neutral White 4000K | Clear Acrylic | Medium |
| HEU2MN2CNN-WNGN | HE1MN4KN-SNG | 18,000 | 129 | 140 | 100 - 277 VAC | Neutral White 4000K | Clear Acrylic | Medium |
| HEU2MN2ENN-WNGN | HE1MN4PN-SNG | 24,500 | 186 | 132 | 100 - 277 VAC | Neutral White 4000K | Clear Acrylic | Medium |
| UL - 3/4" NPT Models - Cool White | | | | | | | | |
| HEU2MC2ANN-WNGN | HE1MC4DN-SNG | 10,750 | 80 | 134 | 100 - 277 VAC | Cool White 5000K | Clear Acrylic | Medium |
| HEU2MC2BNN-WNGN | HE1MC4GN-SNG | 13,750 | 102 | 135 | 100 - 277 VAC | Cool White 5000K | Clear Acrylic | Medium |
| HEU2MC2CNN-WNGN | HE1MC4KN-SNG | 18,750 | 129 | 145 | 100 - 277 VAC | Cool White 5000K | Clear Acrylic | Medium |
| HEU2MC2ENN-WNGN | HE1MC4PN-SNG | 25,250 | 186 | 145 | 100 - 277 VAC | Cool White 5000K | Clear Acrylic | Medium |

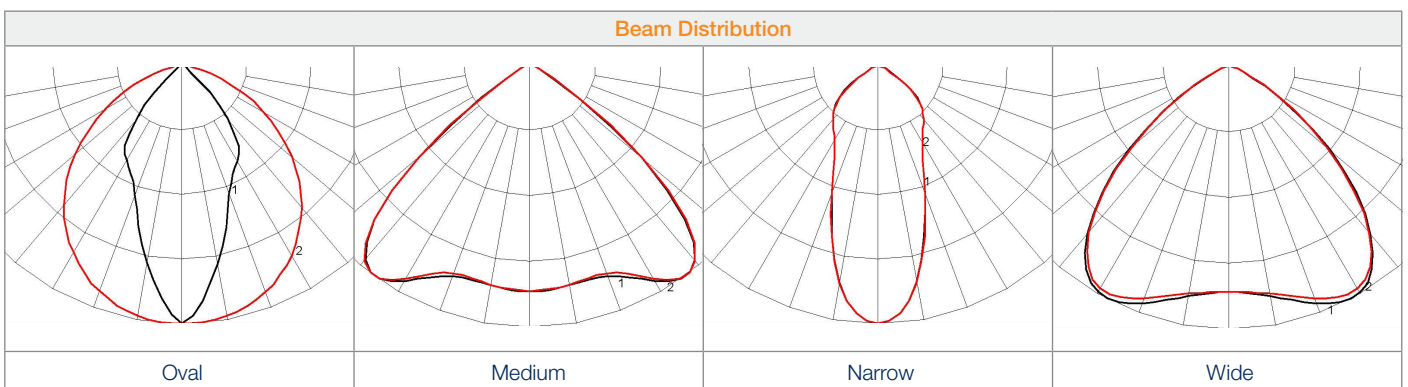
All values typical unless otherwise stated (tolerance +/- 10%).

For additional controls options including IntelliLED wireless controls, contact a Dialight sales representative for spec sheet.

Part numbers listed in **bold** are typically available in stock.

Please see made to order options page 19 for more models available.

Historical part number provided for reference only. For performance characteristics of historical product, please contact your local representative.



DISCLAIMER. All product information provided is, to the best of Dialight's knowledge, accurate as of the date of publication. When ordering, refer to www.dialight.com for current versions of: (a) relevant product documentation (including the relevant product data sheets); (b) Dialight terms and conditions of sale; and, (c) the relevant product warranty. To the extent that any contract is deemed formed between Dialight and the purchaser of Dialight products and/or an end-user, versions of documents available at www.dialight.com as at the date of sale shall be the versions incorporated therein. In the event of any discrepancy between this document or information provided at www.dialight.com, the latter shall prevail.

Vigilant® LED High Bay - CE/UL

Accessories



HBXW3

- Aluminium swivel bracket

HBXW3-SS

- 316 stainless steel swivel bracket



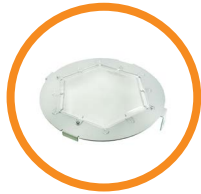
HBXW3-SSL-316M

- 316 stainless steel adjustable locking bracket



HBXCAB48

- 48" long stainless steel safety rope (for use with safety retention tabs)



HBXSBK

- LED High Bay textured flat lens

HBXSBL

- LED High Bay sacrificial flat lens



HBXSBDK

- LED High Bay textured dome lens

HBXSBDL

- LED High Bay sacrificial dome lens



HBXGS

- Glare shield- grey (RAL7001) powder coated spun aluminium (interior use only, for use with flat lens options)



HBXW3-SSL-316FTM

- 316 stainless steel forward throw bracket



HBXDC

- 21° slope dust cover



HBXCG

- Cable gland



HBXW2

- Swivel bracket and cable gland

HBXW3

- Swivel bracket



HBXSB

- 316 stainless steel safety retention tabs (4x)



HBXDUALBRCKT

- Dual bracket



HBXCU

- Ceiling / wall mount



HBXFLAG-Y HBXFLAG-O

- Yellow aluminium
- Orange aluminium



HBXREF16

- Acrylic reflector
- Field retro-fit kit
- Not applicable for use with a dome lens



H6X-H

- Hook option for 347/480 VAC transformer models



HBXH

- Hook



HBXL

- Loop

DISCLAIMER. All product information provided is, to the best of Dialight's knowledge, accurate as of the date of publication. When ordering, refer to www.dialight.com for current versions of: (a) relevant product documentation (including the relevant product data sheets); (b) Dialight terms and conditions of sale; and, (c) the relevant product warranty. To the extent that any contract is deemed formed between Dialight and the purchaser of Dialight products and/or an end-user, versions of documents available at www.dialight.com as at the date of sale shall be the versions incorporated therein. In the event of any discrepancy between this document or information provided at www.dialight.com, the latter shall prevail.

Vigilant® LED High Bay - CE/UL

Ordering Options

| | | | |
|---|---|--|--|
| Product Type Integrated Pendant Wiring Box High Bay 3/4" NPT - Standard Integrated Hexagon Wiring Box High Bay Hooked - Standard | CCT & CRI Cool White 5000K - 80 CRI Neutral White 4000K - 80 CRI Warm White 2700K - 80 CRI | Controls Non Dimming Dimming (0-10 VDC) Occupancy Sensor | Electrical Accessories Plug NEMA Type L5-15 (Non Dimmable) Plug NEMA Type L5-20 (Non Dimmable) Plug NEMA Type L6-15 (Non Dimmable) Plug NEMA Type L6-20 (Non Dimmable) Plug NEMA Type L7-15 (Non Dimmable) Plug NEMA Type L7-20 (Non Dimmable) Connector Reloc OCS12010WH (Non Dimmable) Connector Reloc OCS20810WH (Non Dimmable) Connector Reloc OCS27710WH (Non Dimmable) UL Standard No Plug CE Standard 3-Pin AU plug |
| Certification UL 1598/A, CSA 22.2 No. 250 CE / RCM | Operating Voltage 100-277 VAC / 120-250 VDC 347-480 VAC Step Down Transformer (passive only) 480 VAC (passive only) 347 VAC (passive only) | Mounting Options Hook/Loop Pendant 3/4" NPT Pendant 3/4" NPT with Safety Retention Tabs Hook with Safety Retention Tabs | |
| Lens Material Acrylic - Clear Polycarbonate - Clear Polycarbonate - Diffused Glass - Clear Polycarbonate Dome - Diffused Power Wash Glass - Clear Power Wash Polycarbonate - Clear *All lens options flat except L | Lumen Type 10,500 Lumens 13,250 Lumens 17,500 Lumens 26,000 Lumens | Power Cable Length No Power Cable (HC & HW only) 6' [1.8 meter] Power Cable 10' [3 meter] Power Cable | Coatings Gray (RAL 7040) Orange White |
| Beam Distribution Oval Medium Narrow Wide | | | |

DISCLAIMER. All product information provided is, to the best of Dialight's knowledge, accurate as of the date of publication. When ordering, refer to www.dialight.com for current versions of: (a) relevant product documentation (including the relevant product data sheets); (b) Dialight terms and conditions of sale; and, (c) the relevant product warranty. To the extent that any contract is deemed formed between Dialight and the purchaser of Dialight products and/or an end-user, versions of documents available at www.dialight.com as at the date of sale shall be the versions incorporated therein. In the event of any discrepancy between this document or information provided at www.dialight.com, the latter shall prevail.

Vigilant® LED Low Bay - CE

Technical Specifications



Ratings and Certifications

- 10 year warranty
- L70 >150,000 hours @ 25°C ambient
- CE / ENEC / RCM
- IP66
- IK05 (acrylic lens) / IK06 (glass lens) / IK10 (polycarbonate lens)
- D-Marking to EN60598 2-24
- 0-10 V dimming as standard

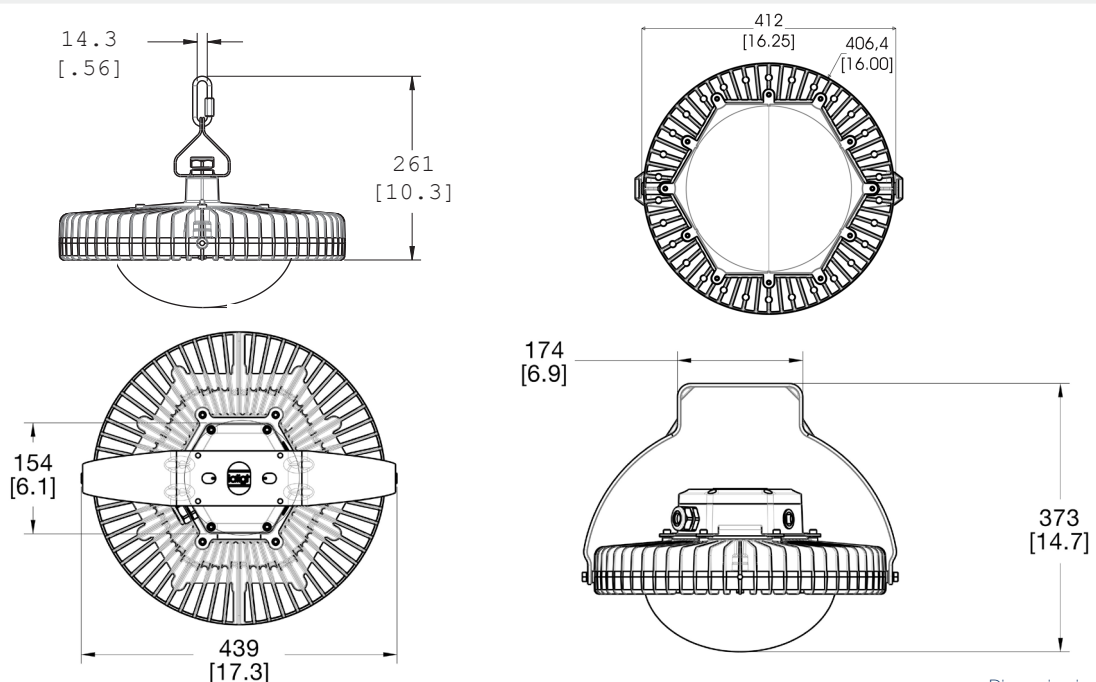
*All features not available on every model. Please refer to product part number pages for model specifics.

| Mechanical Information | | Specifications | |
|-------------------------|--|--------------------------|--|
| Fixture weight: | 8.2 kg (18 lb) | Voltage options: | 100-277 VAC, 120-250 VDC |
| Shipping weight: | 10.9 kg (24 lb) | Operating temp: | -40°C to +65°C |
| Mounting: | Hook or swivel bracket | Power factor: | >0.9 |
| | Secondary retention option available | THD: | <20% |
| Cabling: | 1.8m H07RN-F power cord or 3x M25 junction box with controls terminals | Surge protection: | Protection devices capable of handling up to 6kV. Tested for 6kV/2 ohm combination wave, as per IEEE C62.41, line-line and line-ground |
| | | | Housing: |
| | | Lens: | Polycarbonate dome |
| | | Finish: | Superior dual coat finish - Sealed polyester topcoat - Chemical-resistant epoxy primer |
| | | CRI: | 80 |
| | | CCT: | 5000K (cool white) |
| | | | 4000K (neutral white) |
| | | | 2700K (warm white) |

| | Comparison | |
|----------------------|------------|----------|
| | Warranty | L70 |
| Dialight LED Low Bay | 10yr | >150,000 |
| Metal Halide | 1 | 15,000 |
| High Pressure Sodium | 1 | 20,000 |

| Lumens | Wattage | lm/W | Mounting Heights |
|--------|---------|------|------------------|
| 8,750 | 80 | 109 | Up to 7m |

Dimensions



Dimension in mm [inches]

WARNING - INSTALLATION & SECONDARY RETENTION. Use of any Dialight products without proper installation (including secondary retention / netting) and periodic inspections could cause severe injury or death. Dialight recommends that all installations should use secondary retention / netting (appropriate to the installation environment) where applicable. It is the exclusive responsibility of the contractor, installer and/or end-user to: (a) determine the suitability of the product for its intended application; and, (b) ensure that the product is safely installed (with secondary retention / netting where appropriate) and in compliance with all applicable laws and regulations. To the extent permissible under applicable laws, Dialight disclaims all liability for personal injury and/or other damage resulting from any dislodgment or other dislocation of its products.

Vigilant® LED Low Bay - CE

Australia Order Codes

| Current Part Number | Historic Part Number | Fixture Lumens | Wattage | lm/W | Voltage | Colour Temperature (CCT) | Lens | Beam Distribution |
|--|----------------------|----------------|---------|------|--------------------------|--------------------------|---------------|-------------------|
| CE - Standard Model with Hook | | | | | | | | |
| LEELUN29NH-VZGN | LBW1C1DAUH | 8,750 | 80 | 109 | 100-277 VAC, 120-250 VDC | 4000K (neutral white) | Polycarbonate | Wide |
| CE - Integrated Wiring Box Model with Bracket | | | | | | | | |
| LWELUN29DA-NNGN | | 8,750 | 80 | 109 | 100-277 VAC, 120-250 VDC | 4000K (neutral white) | Polycarbonate | Wide |

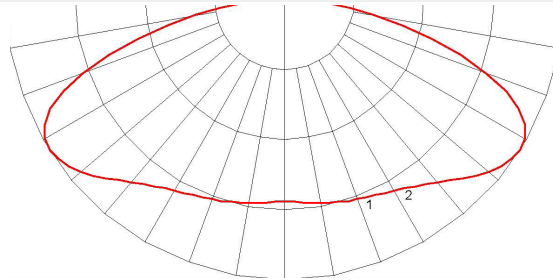
All values typical unless otherwise stated (tolerance +/- 10%).

Part numbers listed in **bold** are typically available in stock.

Please see made to order options page 25 for more models available.

Historical part number provided for reference only. For performance characteristics of historical product, please contact your local representative.

Beam Distribution



Ultra Wide

Vigilant® LED Low Bay - UL

Technical Specifications



| Ratings and Certifications |
|-------------------------------------|
| • 10 year warranty |
| • L70 >150,000 hours @ 25°C ambient |
| • UL 1598/A (wet locations) |
| • IP66/67 |
| • NEMA 4X |
| • Up to 109 lm/W |
| • 0-10 V dimming as standard |

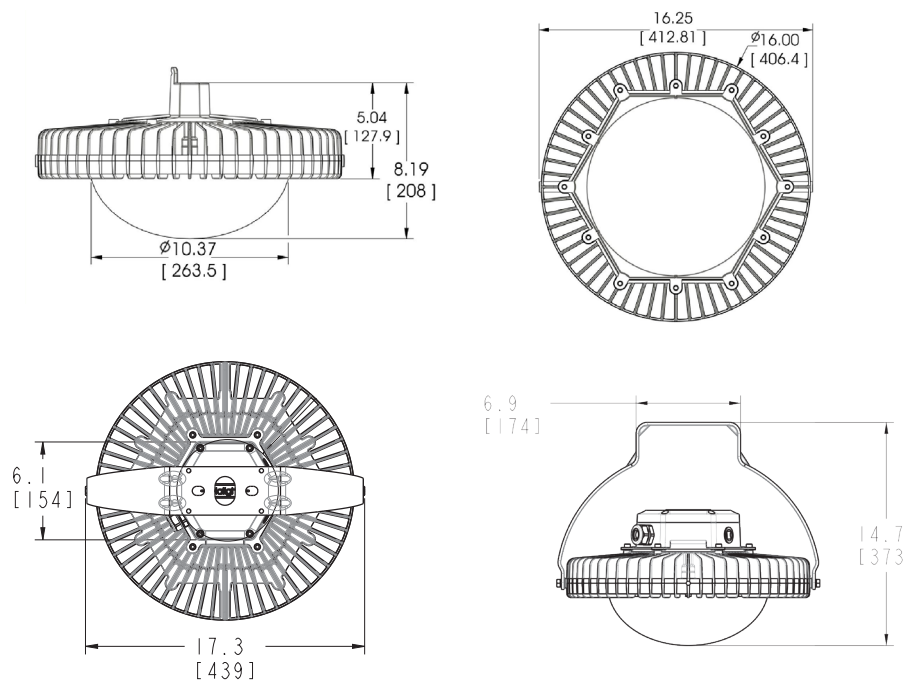
*All features not available on every model. Please refer to product part number pages for model specifics.

| Mechanical Information | | Specifications | |
|-------------------------|--|--------------------------|---|
| Fixture weight: | 20 lb (9.1 kg) | Voltage options: | 100-277 VAC, 120-250 VDC |
| Shipping weight: | 26 lb (11.8 kg) | Operating temp: | -40°C to +65°C |
| Mounting: | Hook or 3/4" NPT or swivel bracket Secondary retention option available | Power factor: | >0.9 |
| Cabling: | 3m power cable or 3 x 3/4" NPT junction box with controls terminals | THD: | <20% |
| | | Surge protection: | Protection devices capable of handling up to 10kv. Tested for 6kv/2 ohm combination wave, as per IEEE C62.41, line-line and line-ground |
| | | Housing: | Copper-free aluminum Tempered glass |
| | | Lens: | Polycarbonate (flat or dome) Acrylic (flat) |
| | | Finish: | Superior dual coat finish - Sealed polyester topcoat - Chemical-resistant epoxy primer |
| | | CRI: | 80 |
| | | CCT: | 5000K (cool white) 4000K (neutral white) 2700K (warm white) |

| | Comparison | |
|-----------------------|------------|----------|
| | Warranty | L70 |
| Dialight LED High Bay | 10yr | >150,000 |
| Metal Halide | 1 | 15,000 |
| High Pressure Sodium | 1 | 20,000 |

| Lumens | Wattage | lm/W | Mounting Heights |
|--------|---------|------|------------------|
| 8,750 | 80 | 109 | 10m - 5m |

Dimensions



Dimension in inches [mm]

WARNING - INSTALLATION & SECONDARY RETENTION. Use of any Dialight products without proper installation (including secondary retention / netting) and periodic inspections could cause severe injury or death. Dialight recommends that all installations should use secondary retention / netting (appropriate to the installation environment) where applicable. It is the exclusive responsibility of the contractor, installer and/or end-user to: (a) determine the suitability of the product for its intended application; and, (b) ensure that the product is safely installed (with secondary retention / netting where appropriate) and in compliance with all applicable laws and regulations. To the extent permissible under applicable laws, Dialight disclaims all liability for personal injury and/or other damage resulting from any dislodgment or other dislocation of its products.

Vigilant® LED Low Bay - UL

Asia Order Codes

| Current Part Number | Historic Part Number | Fixture Lumens | Wattage | lm/W | Voltage | Colour Temperature (CCT) | Lens | Beam Distribution |
|--|----------------------|----------------|---------|------|--------------------------|--------------------------|---------------|-------------------|
| UL - Standard Model | | | | | | | | |
| LEULUN29NN-WNGN | HBWN4L | 8,750 | 80 | 109 | 100-277 VAC, 120-250 VDC | 4000K (neutral white) | Polycarbonate | Wide |
| UL - Integrated Wiring Box Model with Bracket | | | | | | | | |
| LWULUN29DA-NNGN | | 8,750 | 80 | 109 | 100-277 VAC, 120-250 VDC | 4000K (neutral white) | Polycarbonate | Wide |

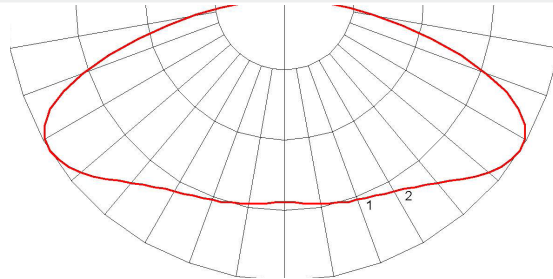
All values typical unless otherwise stated (tolerance +/- 10%).

Part numbers listed in **bold** are typically available in stock.

Please see made to order options page 25 for more models available.

Historical part number provided for reference only. For performance characteristics of historical product, please contact your local representative.

Beam Distribution



Ultra Wide

Vigilant® LED Low Bay - CE/UL

Accessories



HBXW3

- Aluminium swivel bracket

HBXW3-SS

- 316 stainless steel swivel bracket



HBXW3-SSL-316M

- 316 stainless steel bracket



HBXCAB48

- 48" long stainless steel safety rope (for use with safety retention tabs)



HBXSBK

- Sand blast kit (flat lens)

HBXSBL

- Sacrificial flat lens



HBXSBDK

- Textured dome lens

HBXSBDL

- Sacrificial dome lens



HBXGS

- Glare shield (interior use only, for use with flat lens options)



HBXCU

- Ceiling / wall mount



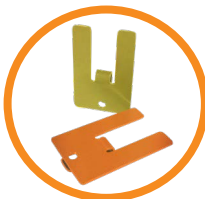
HBXSB

- 316 stainless steel safety retention tabs (4x)



HBXDUALBRCKT

- Dual bracket



HBXFLAG-Y

HBXFLAG-O

- Yellow aluminum
- Orange aluminum

Vigilant® LED Low Bay - CE/UL

Ordering Options

| | | | |
|--|--|--|--|
| Product Type Integrated Pendant Wiring Box Low Bay - Standard Integrated Hexagon Wiring Box | CCT & CRI Cool White 5000K - 80 CRI Neutral White 4000K - 80 CRI Warm White 2700K - 80 CRI | Controls Non Dimming Dimming (0-10 VDC) Occupancy Sensor | Electrical Accessories Plug NEMA Type L5-15 (Non Dimmable) Plug NEMA Type L5-20 (Non Dimmable) Plug NEMA Type L6-15 (Non Dimmable) Plug NEMA Type L6-20 (Non Dimmable) Plug NEMA Type L7-15 (Non Dimmable) Plug NEMA Type L7-20 (Non Dimmable) Connector Reloc OCS12010WH (Non Dimmable) Connector Reloc OCS20810WH (Non Dimmable) Connector Reloc OCS27710WH (Non Dimmable) UL Standard No Plug CE Standard 3-Pin AU plug |
| Certification UL 1598/A CE / RCM | Operating Voltage 347-480 VAC Step Down Transformer (Low Bay only) 100-277 VAC / 120-250 VDC | Mounting Options Hook/Loop Pendant 3/4" NPT Pendant 3/4" NPT with Safety Retention Tabs Hook with Safety Retention Tabs | |
| Lens Material Acrylic - Clear Polycarbonate - Clear Polycarbonate - Diffused Polycarbonate Dome - Diffused Glass - Clear | Lumen Type 4,000 Lumens 6,000 Lumens 9,000 Lumens 14,000 Lumens 18,000 Lumens | Power Cable Length No Power Cable (HC & HW only) 6' [1.8 meter] Power Cable 10' [3 meter] Power Cable | |
| Beam Distribution Ultra Wide | | | Coatings Gray (RAL 7040) Orange White |

DISCLAIMER. All product information provided is, to the best of Dialight's knowledge, accurate as of the date of publication. When ordering, refer to www.dialight.com for current versions of: (a) relevant product documentation (including the relevant product data sheets); (b) Dialight terms and conditions of sale; and, (c) the relevant product warranty. To the extent that any contract is deemed formed between Dialight and the purchaser of Dialight products and/or an end-user, versions of documents available at www.dialight.com as at the date of sale shall be the versions incorporated therein. In the event of any discrepancy between this document or information provided at www.dialight.com, the latter shall prevail.

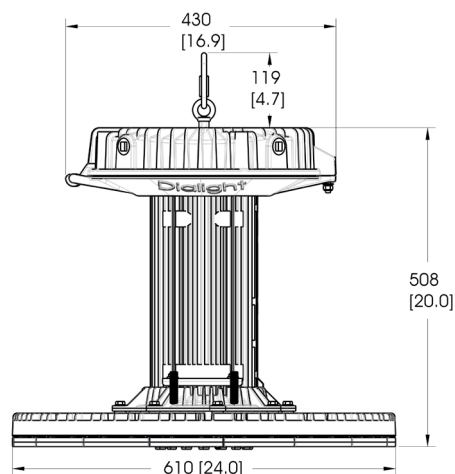
Vigilant® LED High Bay - High Output

Standard Models



Certifications & Ratings

- CE
 - EN 55015:2013
 - EN 60598:2008
 - EN 61547:2009
 - EN 62471:2008
- ENEC
 - RCM
 - UL 1598/A
 - IK06 to EN50102
 - IP66/67



Dimensions in mm [inches]

Mechanical Information:

| | |
|---|---------------------------------|
| 120-277 VAC model complete fixture weight: | 28.6 kg (63.1 lbs) |
| Wiring box: | 3.2 kg (7.1 lbs) [mount first] |
| Light engine (base): | 25.4 kg (56.0 lbs) [mount last] |
| Shipping weight: | 37.5 kg (82.6 lbs) |
| 415 VAC model complete fixture weight: | 35.8 kg (79 lbs) |
| Wiring box: | 10.4 kg (23 lbs) [mount first] |
| Light engine (base): | 25.4 kg (56.0 lbs) [mount last] |
| Shipping weight: | 44.7 kg (98.6 lbs) |

Note that the wire box is installed separately from the housing. This allows single installer for fixtures.

| | |
|-----------------------------|--|
| Box dimensions (cm): | Length - 64, Width - 56.5, Height - 72.7 |
| Mounting: | Hook mount Secondary retention standard |
| Cable entry: | (4) M25 - sides |
| Terminals: | 5 position, 0.5-4 mm ² |

Materials:

| | |
|------------------------|--|
| Housing: | Die cast aluminium alloy A360 |
| Hardware: | 18-8 stainless steel |
| Hook: | 304 stainless steel |
| Safety shackle: | 304 stainless steel |
| Safety rope: | Optional 316 stainless steel safety rope, 304 stainless steel crimp |

Gaskets:

| | |
|-----------------------------|--|
| Light engine: | Santoprene |
| Wiring box: | Silicone |
| Power supply (ends): | EPDM |
| Lens: | Tempered glass, acrylic or UV stabilized polycarbonate |
| Fixture finish: | Superior dual coat finish - Sealed polyester topcoat - Chemical-resistant epoxy primer |

Electrical Specifications:

| | |
|--|--|
| Operating voltage: | 120-277 VAC, 50/60 Hz 415 VAC |
| Operating temperature: | -40°C to +65°C (-40°F to +149°F) |
| Total system power consumption: | See table |
| EMC: | EN 62493: 2015, EN 61547: 2009, EN 61000-3-2: 2015, EN 61000-3-3: 2013 |
| Transient protection: | 6kV/3kA combination wave, as per IEEE C62.41, line-line and line-ground |
| THD: | EN55015:2013 < 20% |
| Harmonics: | IEC 61000-3-2, Class C |
| Power factor: | > 0.9 |

Variable Dimming:

| | |
|----------------------------------|---|
| Variable dimming control: | 0-10 VDC |
| Dimming range: | 10 VDC = 100% light output 0 VDC = 5% light output |

Photometric Information:

| | |
|-------------|---|
| CRI: | 80 |
| CCT: | 5000K (cool white) 4000K (neutral white) |

All values typical unless otherwise stated (tolerance +/- 10%)

WARNING - INSTALLATION & SECONDARY RETENTION. Use of any Dialight products without proper installation (including secondary retention / netting) and periodic inspections could cause severe injury or death. Dialight recommends that all installations should use secondary retention / netting (appropriate to the installation environment) where applicable. It is the exclusive responsibility of the contractor, installer and/or end-user to: (a) determine the suitability of the product for its intended application; and, (b) ensure that the product is safely installed (with secondary retention / netting where appropriate) and in compliance with all applicable laws and regulations. To the extent permissible under applicable laws, Dialight disclaims all liability for personal injury and/or other damage resulting from any dislodgment or other dislocation of its products.

Ordering Information

Vigilant® LED High Bay - High Output - Standard Models



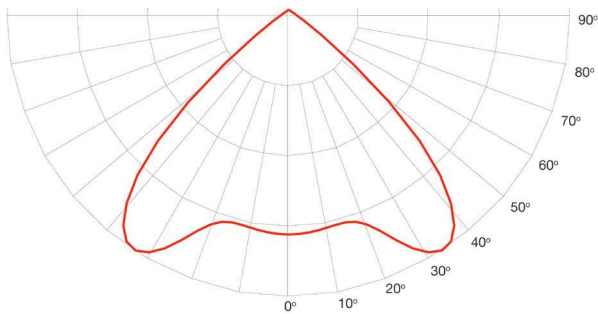
| Part Number | Fixture Lumen | Watt | lm/W | IP Rating | Voltage | CCT | Lens | Beam Distribution |
|-------------------------------------|---------------|------|------|-----------|-------------|-----------------------|----------------------------|-------------------|
| CE Standard Models - 120-277 VAC | | | | | | | | |
| H6E-7NN2-KDHN-NGN | 45,000 | 309 | 146 | IP66/67 | 120-277 VAC | 4000K (neutral white) | Glass | Narrow |
| H6E-7MN2-KDHN-NGN | 45,000 | 309 | 146 | IP66/67 | 120-277 VAC | 4000K (neutral white) | Glass | Medium |
| H6E-7NN2-NDHN-NGN | 60,000 | 414 | 145 | IP66/67 | 120-277 VAC | 4000K (neutral white) | Glass | Narrow |
| H6E-7MN2-NDHN-NGN | 60,000 | 414 | 145 | IP66/67 | 120-277 VAC | 4000K (neutral white) | Glass | Medium |
| H6E-7NN2-RDHN-NGN | 72,000 | 484 | 149 | IP66/67 | 120-277 VAC | 4000K (neutral white) | Glass | Narrow |
| CE Standard Models - 415 VAC Models | | | | | | | | |
| H6E-7NNC-KDHN-NGN | 45,000 | 324 | 139 | IP66/67 | 415 VAC | 4000K (neutral white) | Glass | Narrow |
| H6E-7MNC-KDHN-NGN | 45,000 | 324 | 139 | IP66/67 | 415 VAC | 4000K (neutral white) | Glass | Medium |
| H6E-7NNC-NDHN-NGN | 60,000 | 431 | 139 | IP66/67 | 415 VAC | 4000K (neutral white) | Glass | Narrow |
| H6E-7MNC-NDHN-NGN | 60,000 | 431 | 139 | IP66/67 | 415 VAC | 4000K (neutral white) | Glass | Medium |
| H6E-7NNC-RDHN-NGN | 72,000 | 506 | 142 | IP66/67 | 415 VAC | 4000K (neutral white) | Glass | Narrow |
| UL Standard Models - 100-277 VAC | | | | | | | | |
| H6U-7NN2-KDHN-NGN | 45,000 | 309 | 146 | IP66/67 | 120-277 VAC | 4000K (neutral white) | Glass | Narrow |
| H6U-7MN2-KDHN-NGN | 45,000 | 309 | 146 | IP66/67 | 120-277 VAC | 4000K (neutral white) | Glass </td <td>Medium</td> | Medium |
| H6U-7NN2-NDHN-NGN | 60,000 | 414 | 145 | IP66/67 | 120-277 VAC | 4000K (neutral white) | Glass | Narrow |
| H6U-7MN2-NDHN-NGN | 60,000 | 414 | 145 | IP66/67 | 120-277 VAC | 4000K (neutral white) | Glass | Medium |
| H6U-7NN2-RDHN-NGN | 72,000 | 484 | 149 | IP66/67 | 120-277 VAC | 4000K (neutral white) | Glass | Narrow |

All values typical unless otherwise stated (tolerance +/- 10%).

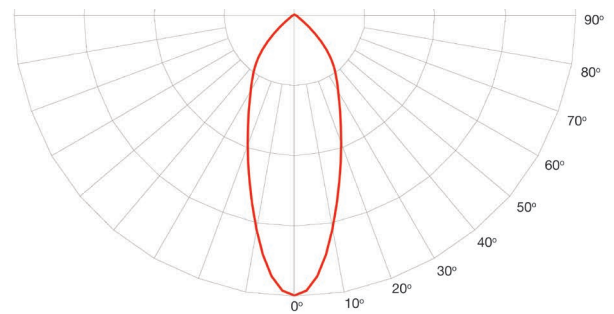
All models shown in table are 4000K (neutral white) CCT. For 5000K (cool white) CCT replace the 6th character with a **C**. Example: H6E-7NN2-RDHN-NGN becomes H6E-7NC2-RDHN-NGN.

45,000 lumen output fixture available with factory installed occupancy sensor for mounting heights of up to 12m. Consult factory for more information.

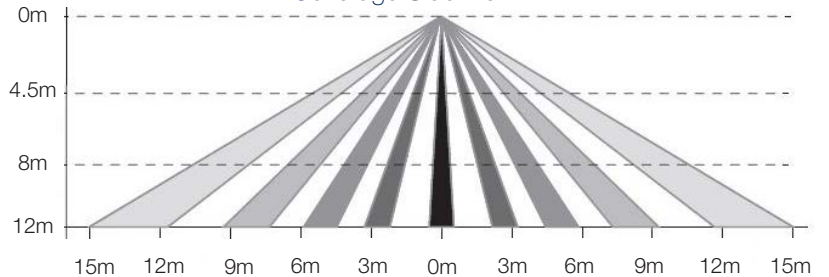
Medium



Narrow



Coverage Side View



HBXFSIRREMOTE

- Remote for occupancy sensor

DISCLAIMER. All product information provided is, to the best of Dialight's knowledge, accurate as of the date of publication. When ordering, refer to www.dialight.com for current versions of: (a) relevant product documentation (including the relevant product data sheets); (b) Dialight terms and conditions of sale; and, (c) the relevant product warranty. To the extent that any contract is deemed formed between Dialight and the purchaser of Dialight products and/or an end-user, versions of documents available at www.dialight.com as at the date of sale shall be the versions incorporated therein. In the event of any discrepancy between this document or information provided at www.dialight.com, the latter shall prevail.

Vigilant® LED Single and Dual Floodlight - CE

Technical Specifications



Ratings and Certifications

- 10 year warranty
- CE / ENEC / RCM
- IP66
- NEMA 4X
- L70 >150,000 hours @ 25°C ambient

*All features not available on every model. Please refer to product part number pages for model specifics.

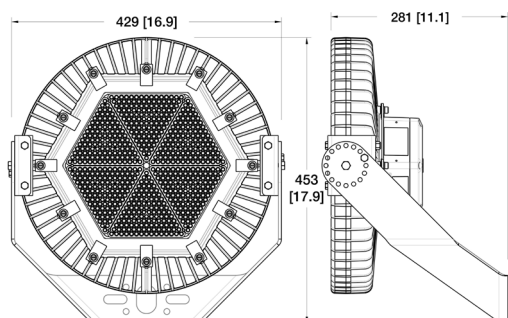
| Mechanical Information | |
|-------------------------|---|
| Fixture weight: | |
| Single: | 13.6 kg (30 lb) |
| Dual: | 25.4 kg (56 lb) |
| Shipping weight: | |
| Single: | 15.9 kg (35 lb) |
| Dual: | 27.2 kg (60 lb) |
| Mounting: | 304 stainless steel forward throw or trunnion mounting bracket included Secondary retention standard |
| Cable Entries: | (2) M20 or M25 (single model) cable entries |
| Terminals: | 0.5-4mm ² via integrated junction box |

| Specifications | | | |
|-------------------------|-------------------------------------|--------------------------|--|
| Voltage options: | 100-277 VAC, 50/60Hz 120-250 VDC | Housing: | Copper-free aluminium |
| Operating temp: | -40°C to +65°C | Len: | Tempered glass |
| Power factor: | >0.9 | Finish: | Superior dual coat finish - Sealed polyester topcoat - Chemical-resistant epoxy primer |
| | | CRI: | 80 |
| THD: | <20% | CCT: | 5000K (cool white) 4000K (neutral white) 2700K (warm white) |
| | | Surge protection: | 6kV/2 ohm combination wave, as per IEEE C62.41, line-to-line & line-to-ground |

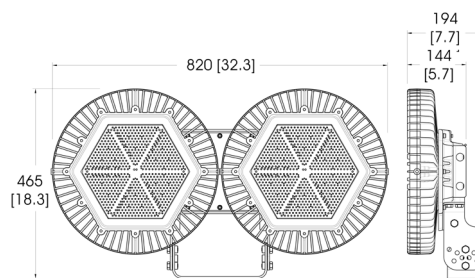
| Comparison | | |
|-------------------------|----------|----------|
| | Warranty | L70 |
| Dialight LED Floodlight | 10yr | >150,000 |
| Metal Halide | 1 | 15,000 |
| High Pressure Sodium | 1 | 20,000 |

| Lumens | Wattage | lm/W | Mounting Heights |
|--------|---------|------|------------------|
| 56,000 | 385 | 145 | Up to 25m |
| 54,000 | 385 | 140 | |
| 28,000 | 190 | 145 | 15m |

Single Model Dimensions

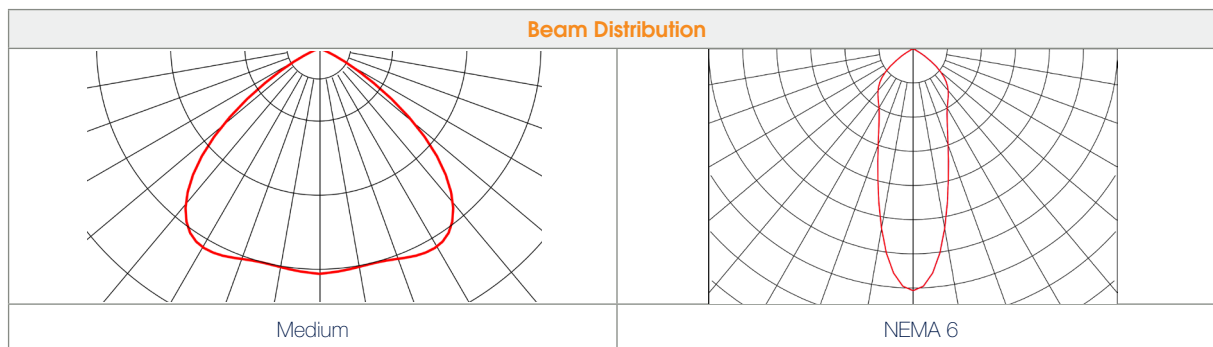


Dual Model Dimensions



Dimension in mm [inches]

Beam Distribution



WARNING - INSTALLATION & SECONDARY RETENTION. Use of any Dialight products without proper installation (including secondary retention / netting) and periodic inspections could cause severe injury or death. Dialight recommends that all installations should use secondary retention / netting (appropriate to the installation environment) where applicable. It is the exclusive responsibility of the contractor, installer and/or end-user to: (a) determine the suitability of the product for its intended application; and, (b) ensure that the product is safely installed (with secondary retention / netting where appropriate) and in compliance with all applicable laws and regulations. To the extent permissible under applicable laws, Dialight disclaims all liability for personal injury and/or other damage resulting from any dislodgment or other dislocation of its products.

Vigilant® LED Single and Dual Floodlight - CE

Australia Order Codes

| Platform Part Number | Part Number | Fixture Lumens | Wattage | lm/W | Voltage | Colour Temperature (CCT) | Lens | Beam Distribution |
|--------------------------------------|--------------------|----------------|---------|------|--------------------------|--------------------------|----------------|-------------------|
| CE - Single Floodlight Models | | | | | | | | |
| FSE76C2EDDNNGN | FLE666HC2NG | 28,000 | 190 | 147 | 100-277 VAC, 120-250 VDC | 5000K (cool white) | Tempered Glass | NEMA 6 |
| FSE76N2EDDNNGN | FLE666HN2NG | 26,750 | 190 | 140 | 100-277 VAC, 120-250 VDC | 4000K (neutral white) | Tempered Glass | NEMA 6 |
| CE - Dual Floodlight Models | | | | | | | | |
| FDE7MC2MDSNNGN | FLEBM0MC2NG | 54,000 | 385 | 140 | 100-277 VAC, 120-250 VDC | 5000K (cool white) | Tempered Glass | Medium |
| FDE7MN2MDSNNGN | FLEBM0MN2NG | 51,500 | 385 | 134 | 100-277 VAC, 120-250 VDC | 4000K (neutral white) | Tempered Glass | Medium |
| FDE76C2MDSNNGN | FLEB66MC2NG | 56,000 | 385 | 145 | 100-277 VAC, 120-250 VDC | 5000K (cool white) | Tempered Glass | NEMA 6 |
| FDE76N2MDSNNGN | FLEB66MN2NG | 53,500 | 385 | 139 | 100-277 VAC, 120-250 VDC | 4000K (neutral white) | Tempered Glass | NEMA 6 |

All values typical unless otherwise stated (tolerance +/- 10%).

Part numbers listed in **bold** are typically available in stock.

Part numbers listed in the table above are neutral white. For cool white models, replace the 6th character with a **C**.

*Amber models are not covered under the CE certification.

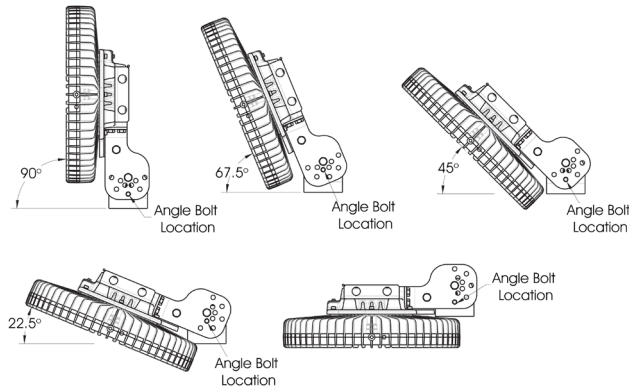
Historical part number provided for reference only. For performance characteristics of historical product, please contact your local representative.



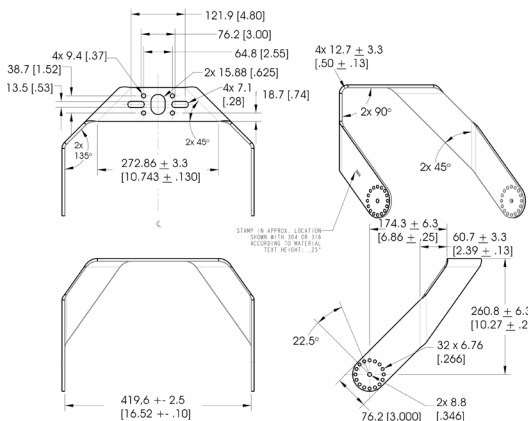
HZXCBL2

- Stainless steel safety cable kit

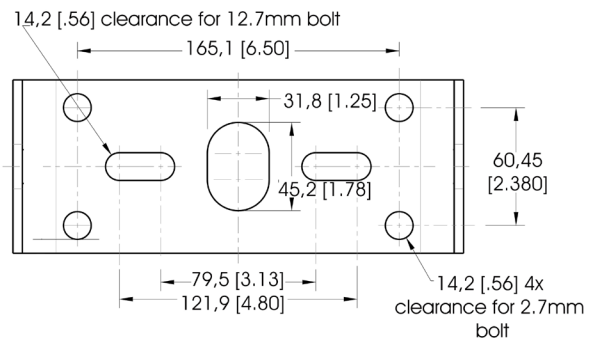
Dual Floodlight Mounting Options



Single Bracket Dimensions



Dual Bracket Dimensions



Dimension in mm [inches]

DISCLAIMER. All product information provided is, to the best of Dialight's knowledge, accurate as of the date of publication. When ordering, refer to www.dialight.com for current versions of: (a) relevant product documentation (including the relevant product data sheets); (b) Dialight terms and conditions of sale; and, (c) the relevant product warranty. To the extent that any contract is deemed formed between Dialight and the purchaser of Dialight products and/or an end-user, versions of documents available at www.dialight.com as at the date of sale shall be the versions incorporated therein. In the event of any discrepancy between this document or information provided at www.dialight.com, the latter shall prevail.

Vigilant® LED Single and Dual Floodlight - UL

Technical Specifications



Ratings and Certifications

- 10 year warranty
- L70 rated for >150,000 hours
- CSA C22.2 No. 250
- UL 1598/A
- IP66
- IK07

*All features not available on every model. Please refer to product part number pages for model specifics.

Mechanical Information

| | |
|-------------------------|--|
| Fixture weight: | |
| Single: | 13.6 kg (30 lb) |
| Dual: | 25.4 kg (56 lb) |
| Shipping weight: | |
| Single: | 15.9 kg (35 lb) |
| Dual: | 27.2 kg (60 lb) |
| Mounting: | 304 stainless steel forward throw or trunnion mounting bracket included Secondary retention available |
| Cable Entries: | (2) 3/4" NPT cable entries |
| Terminals: | 0.5-4mm ² via integrated junction box |

Specifications

| | | | |
|--------------------------|---|-----------------|-----------------------|
| Voltage options: | 100-277 VAC/120-250 VDC | Housing: | Copper-free aluminum |
| Operating temp: | -40°C to +65°C | Lens: | Tempered glass |
| Power factor: | >0.9 | CRI: | 75 |
| THD: | <20% | CCT: | 5000K (cool white) |
| Surge protection: | Protection devices capable of handling up to 10kv. Tested for 6kv/2 ohm combination wave, as per IEEE C62.41, line-line and line-ground | | 4000K (neutral white) |
| | | | 2700K (warm white) |

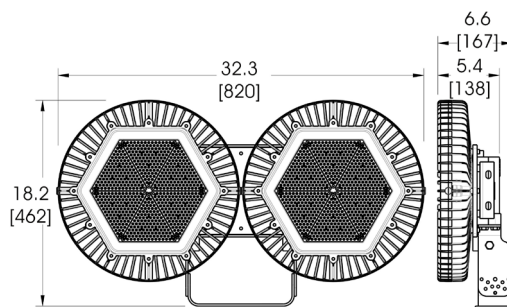
Comparison

| | Warranty | L70 |
|-------------------------|----------|----------|
| Dialight LED Floodlight | 10yr | >150,000 |
| Metal Halide | 1 | 6,000 |
| High Pressure Sodium | 1 | 20,000 |

| Lumens | Wattage | lm/W | Mounting Heights |
|--------|---------|------|------------------|
| 56,000 | 385 | 145 | 15m + |
| 54,000 | 385 | 140 | ↓ |
| 28,000 | 190 | 145 | |

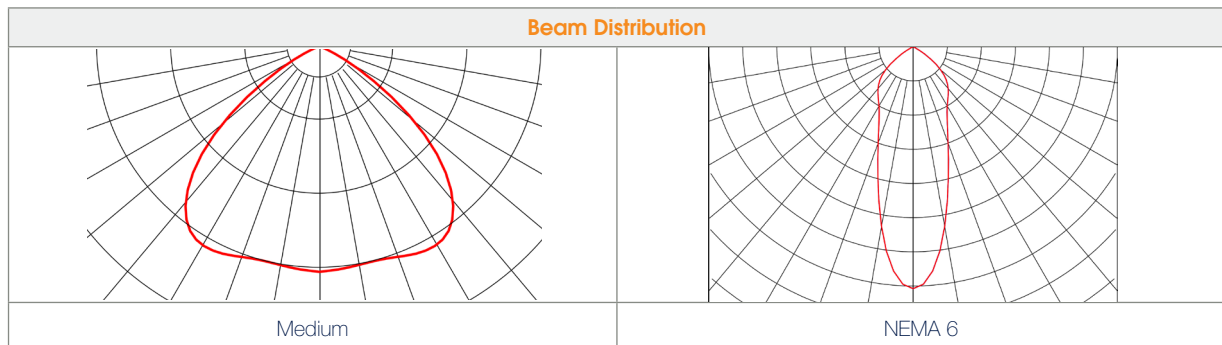
Dimensions

100-277 VAC models



Dimensions in inches [mm]

Beam Distribution



WARNING - INSTALLATION & SECONDARY RETENTION. Use of any Dialight products without proper installation (including secondary retention / netting) and periodic inspections could cause severe injury or death. Dialight recommends that all installations should use secondary retention / netting (appropriate to the installation environment) where applicable. It is the exclusive responsibility of the contractor, installer and/or end-user to: (a) determine the suitability of the product for its intended application; and, (b) ensure that the product is safely installed (with secondary retention / netting where appropriate) and in compliance with all applicable laws and regulations. To the extent permissible under applicable laws, Dialight disclaims all liability for personal injury and/or other damage resulting from any dislodgment or other dislocation of its products.

Vigilant® LED Single and Dual Floodlight - UL

Asia Order Codes

| Platform Part Number | Part Number | Fixture Lumens | Wattage | lm/W | Voltage | Colour Temperature (CCT) | Lens | Beam Distribution |
|---------------------------------|-------------|----------------|---------|------|--------------------------|--------------------------|----------------|-------------------|
| Single Floodlight Models | | | | | | | | |
| FSU76C2EDDNGN | FLW666HC2NG | 28,000 | 190 | 147 | 100-277 VAC, 120-250 VDC | 5000K (cool white) | Tempered Glass | NEMA 6 |
| FSU76N2EDDNGN | FLW666HN2NG | 26,750 | 190 | 140 | 100-277 VAC, 120-250 VDC | 4000K (neutral white) | Tempered Glass | NEMA 6 |
| Dual Floodlight Models | | | | | | | | |
| FDU7MC2MDSNNGN | FLWBM0MC2NG | 54,000 | 385 | 140 | 100-277 VAC, 120-250 VDC | 5000K (cool white) | Tempered Glass | Medium |
| FDU7MN2MDSNNGN | FLWBM0MN2NG | 51,500 | 385 | 134 | 100-277 VAC, 120-250 VDC | 4000K (neutral white) | Tempered Glass | Medium |
| FDU76C2MDSNNGN | FLWB66MC2NG | 56,000 | 385 | 145 | 100-277 VAC, 120-250 VDC | 5000K (cool white) | Tempered Glass | NEMA 6 |
| FDU76N2MDSNNGN | FLWB66MN2NG | 53,500 | 385 | 139 | 100-277 VAC, 120-250 VDC | 4000K (neutral white) | Tempered Glass | NEMA 6 |

All values typical unless otherwise stated (tolerance +/- 10%).

Part numbers listed in **bold** are typically available in stock.

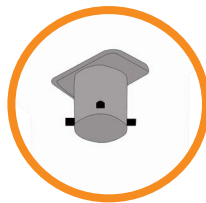
Part numbers listed in the table above are neutral white. For cool white models, replace the 6th character with a **C**.

Historical part number provided for reference only. For performance characteristics of historical product, please contact your local representative.



HZXCBL2

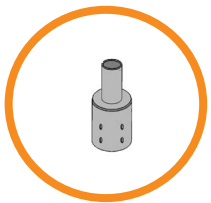
- Stainless steel safety cable kit



FLX-1TPT-20DB

- Tenon pole topper, 2-3/8" mount

*Bracket and adapters below require tenon adapter (FLX-1TPT-20DB) to mount floodlight. Tenon adapter is sold separately.

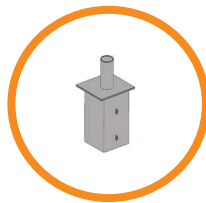


FLX-3RPA-20DB

- Reducer for 3" OD round pole top to 2-3/8" light mount

FLX-4RPA-20DB

- Reducer for 4" OD round pole top to 2-3/8" light mount



FLX-4SPA-20DB

- Internal tenon adapter for 4" square pole top to 2-3/8" light mount

FLX-5SPA-20DB

- Internal tenon adapter for 5" square pole top to 2-3/8" light mount

FLX-6SPA-20DB

- Internal tenon adapter for 6" square pole top to 2-3/8" light mount

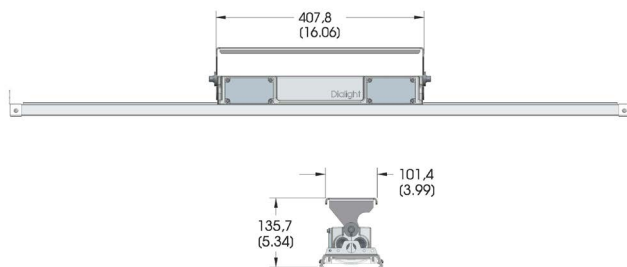
Vigilant® LED Linear - CE

Technical Specifications



Certifications & Ratings

- CE
 - EN 60598-1
 - EN 60598-2-1
 - EN 62471
- ENEC
- RCM
- IP66/67 to EN 60529
- IK10 to EN 50102



Dimensions in mm [inches]

Mechanical Information:

| | |
|-------------------------|--|
| Fixture weight: | 1.2m (4') - 5.9 kg (13 lb) 0.6m (2') - 4.5 kg (10 lb) |
| Shipping weight: | 1.2m (4') - 10 kg (18 lb) 0.6m (2') - 6.8 kg (15 lb) |
| Mounting: | Factory-installed 316 stainless steel swivel bracket - LPXW4 |
| Cable entries: | 4 x M25 (2 either end) |

Variable Dimming:

| | |
|----------------------------------|---|
| Variable dimming control: | 0-10 VDC |
| Dimming range: | 10 VDC = 100% light output 0 VDC = 5% light output |

Electrical specifications:

| | |
|--|---|
| Operating voltage: | 100-277 VAC, 50/60Hz 120-250 VDC |
| Total system power consumption: | See table |
| Operating temp: | -40°C to +65°C (-40°F to +149°F) |
| EMC: | EN 55015, EN 61547, EN 61000-3-2 Class C, EN 61000-3-3 |
| Transient protection: | EN 61000-4-5 6 kV line-to-line 6 kV line-to-ground |
| THD: | < 20% |
| Power Factor: | > 0.9 |

Construction:

| | |
|-----------------|--|
| Housing: | Copper-free aluminum |
| Finish: | Superior dual coat finish - Sealed polyester topcoat - Chemical resistant epoxy primer |
| Lens: | Hard-coated polycarbonate |

Photometric Information:

| | |
|-------------|-----------------------|
| CRI: | 80 minimum |
| CCT: | 4000K (neutral white) |

All values typical unless otherwise stated (tolerance +/- 10%)

WARNING - INSTALLATION & SECONDARY RETENTION. Use of any Dialight products without proper installation (including secondary retention / netting) and periodic inspections could cause severe injury or death. Dialight recommends that all installations should use secondary retention / netting (appropriate to the installation environment) where applicable. It is the exclusive responsibility of the contractor, installer and/or end-user to: (a) determine the suitability of the product for its intended application; and, (b) ensure that the product is safely installed (with secondary retention / netting where appropriate) and in compliance with all applicable laws and regulations. To the extent permissible under applicable laws, Dialight disclaims all liability for personal injury and/or other damage resulting from any dislodgment or other dislocation of its products.

Vigilant® LED Linear - CE

Ordering Information & Mounting Accessories

| Part Number | Length | Fixture Lumens | Wattage | lm/W | IP Rating | Voltage | Colour Temperature (CCT) | Lens | Beam Distribution |
|-----------------|-----------|----------------|---------|------|-----------|---------------------------|--------------------------|----------|-------------------|
| LJE5MN25DANNNGN | 0.6m (2') | 4,250 | 37 | 115 | IP66/67 | 100-277 VAC / 120-250 VDC | 4000K (neutral white) | Diffused | Medium |
| LKE5MN27DANNNGN | 1.2m (4') | 6,100 | 52 | 117 | IP66/67 | 100-277 VAC / 120-250 VDC | 4000K (neutral white) | Diffused | Medium |
| LKE5MN29DANNNGN | 1.2m (4') | 8,500 | 70 | 121 | IP66/67 | 100-277 VAC / 120-250 VDC | 4000K (neutral white) | Diffused | Medium |

All values typical unless otherwise stated (tolerance +/- 10%).



LTXSAFEKIT

- Safety cable kit for secondary retention

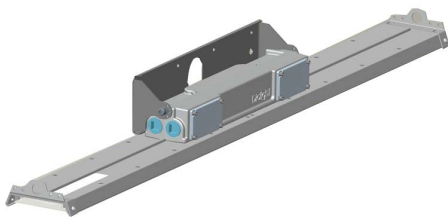


LPXW4

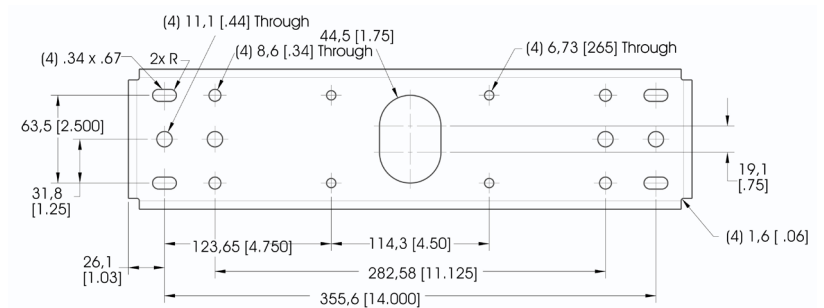
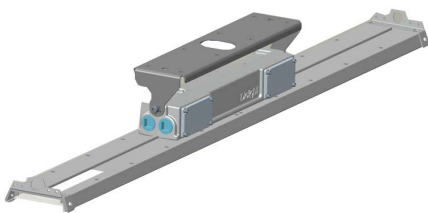
- 316 Stainless steel mounting bracket
- Can be angled at 0°, 30°, 45°, 60° & 90°

Mounting Bracket - LPXW4

Side Mount

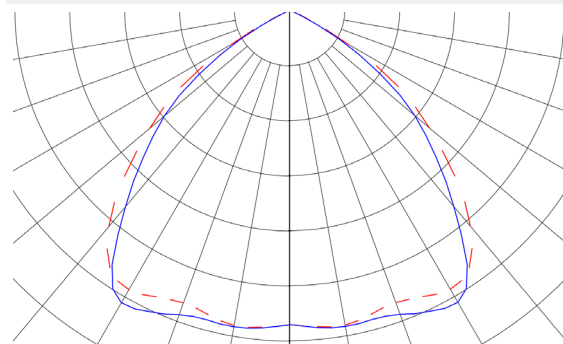


Top Mount



Dimensions in mm [inches]

Beam Distribution

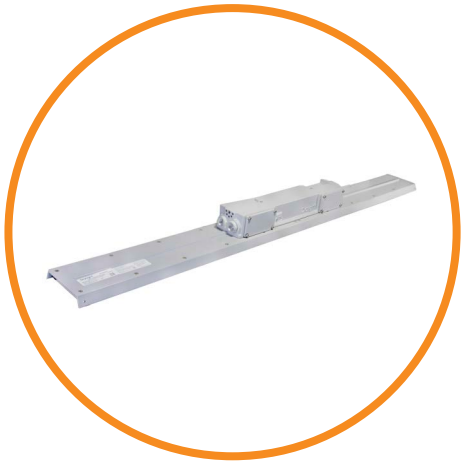


Medium

DISCLAIMER. All product information provided is, to the best of Dialight's knowledge, accurate as of the date of publication. When ordering, refer to www.dialight.com for current versions of: (a) relevant product documentation (including the relevant product data sheets); (b) Dialight terms and conditions of sale; and, (c) the relevant product warranty. To the extent that any contract is deemed formed between Dialight and the purchaser of Dialight products and/or an end-user, versions of documents available at www.dialight.com as at the date of sale shall be the versions incorporated therein. In the event of any discrepancy between this document or information provided at www.dialight.com, the latter shall prevail.

Vigilant® LED Linear - UL

Technical Specifications

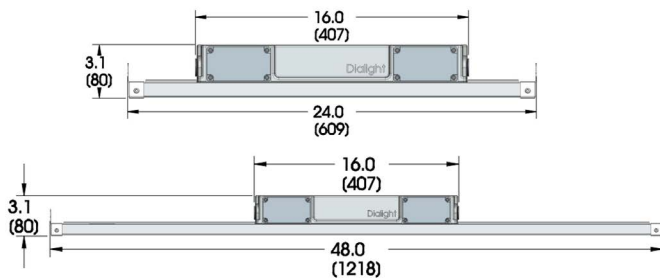


Certifications & Ratings

- UL 1598/A¹
- CSA C22.2 No. 250¹
- IP66/67
- NEMA 4X
- 2000 PSI hose-down rating²
- DLC Premium & Standard

¹ETL listed

²Internally tested



Dimensions in inches [mm]

Mechanical Information:

| | |
|-------------------------|--|
| Fixture weight: | 4' - 11 lb (5.0 kg) 2' - 8 lb (3.6 kg) |
| Shipping weight: | 4' - 12 lb (5.4 kg) 2' - 9 lb (4.1 kg) |
| Mounting: | (4) 3/4" NPT openings Optional swivel bracket - LPXW4 Optional low profile bracket - LPXW4LP |

Variable Dimming:

| | |
|----------------------------------|---|
| Variable dimming control: | 0-10 VDC |
| Dimming range: | 10 VDC = 100% light output 0 VDC = 5% light output |

Electrical Specifications:

| | |
|---------------------------|---|
| Operating voltage: | 100-277 VAC, 50/60Hz 120-250 VDC |
| Power consumption: | See ordering information |
| Operating temp: | -40°F to +149°F (-40°C to +65°C) |
| EMC: | FCC Title 47, Subpart B, Section 15, Class A device. RF Immunity; 10V/m, 80MHz-1GHz |
| Surge protection: | EN 61000-4-5 6 kV line-to-line 6 kV line-to-ground |
| Harmonics: | IEC 61000-3-2 Class C ATHD<20% |
| Power factor: | > 0.9 |

Construction:

| | |
|----------------|---|
| Finish: | Superior dual coat finish - Sealed polyester topcoat |
| Lens: | Polycarbonate |

Photometric Information:

| | |
|-------------------|---|
| CRI: | 80 |
| CCT: | 4000K (neutral white) |
| IES files: | Available at www.dialight.com |

All values typical unless otherwise stated (tolerance +/- 10%)

WARNING - INSTALLATION & SECONDARY RETENTION. Use of any Dialight products without proper installation (including secondary retention / netting) and periodic inspections could cause severe injury or death. Dialight recommends that all installations should use secondary retention / netting (appropriate to the installation environment) where applicable. It is the exclusive responsibility of the contractor, installer and/or end-user to: (a) determine the suitability of the product for its intended application; and, (b) ensure that the product is safely installed (with secondary retention / netting where appropriate) and in compliance with all applicable laws and regulations. To the extent permissible under applicable laws, Dialight disclaims all liability for personal injury and/or other damage resulting from any dislodgment or other dislocation of its products.

Vigilant® LED Linear - UL

Ordering Information & Mounting Accessories

| Part Number | Length | Fixture Lumens | Wattage | lm/W | IP Rating | Voltage | Colour Temperature (CCT) | Lens | Beam Distribution |
|----------------|-----------|----------------|---------|------|-----------|---------------------------|--------------------------|----------|-------------------|
| LJU5MC25DANNGN | 0.6m (2') | 4,450 | 37 | 120 | IP66/67 | 100-277 VAC / 120-250 VDC | 5000K (cool white) | Diffused | Medium |
| LKU5MC27DANNGN | 1.2m (4') | 6,550 | 52 | 126 | IP66/67 | 100-277 VAC / 120-250 VDC | 5000K (cool white) | Diffused | Medium |
| LKU5MC29DANNGN | 1.2m (4') | 8,800 | 70 | 125 | IP66/67 | 100-277 VAC / 120-250 VDC | 5000K (cool white) | Diffused | Medium |

All values typical unless otherwise stated (tolerance +/- 10%)
 For additional ordering options, please consult factory.



LTXSAFEKIT

- Safety cable kit for secondary retention

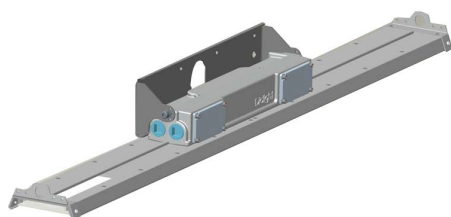


LPXW4

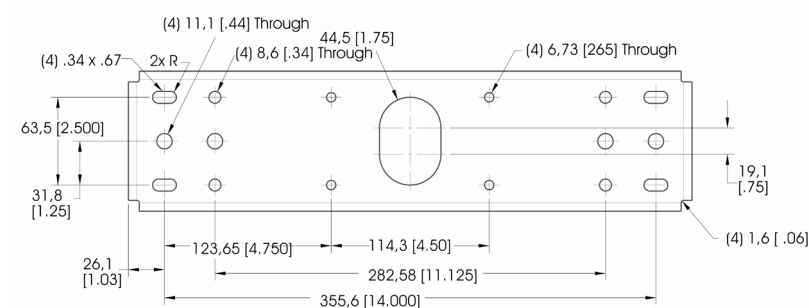
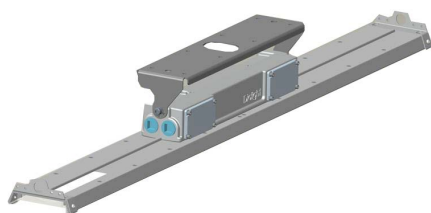
- 316 Stainless steel mounting bracket
- Can be angled at 0°, 30°, 45°, 60° & 90°

Mounting Bracket - LPXW4

Side Mount

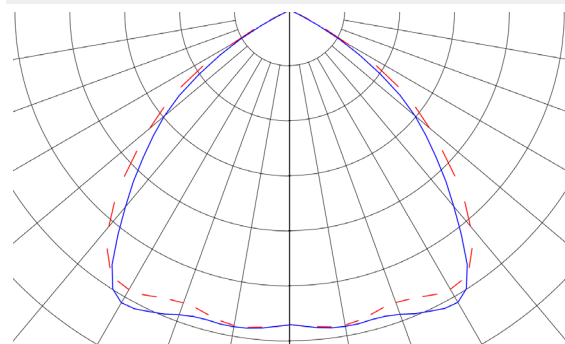


Top Mount



Dimensions in mm [inches]

Beam Distribution



Medium

DISCLAIMER. All product information provided is, to the best of Dialight's knowledge, accurate as of the date of publication. When ordering, refer to www.dialight.com for current versions of: (a) relevant product documentation (including the relevant product data sheets); (b) Dialight terms and conditions of sale; and, (c) the relevant product warranty. To the extent that any contract is deemed formed between Dialight and the purchaser of Dialight products and/or an end-user, versions of documents available at www.dialight.com as at the date of sale shall be the versions incorporated therein. In the event of any discrepancy between this document or information provided at www.dialight.com, the latter shall prevail.

Vigilant® LED Area Light - CE

Technical Specifications



Ratings and Certifications

- 10 year warranty
- L70 >300,000 hours @ 65°C ambient
- RCM / CE / ENEC
- IP66 / 67
- IK07 (glass lens) / IK10 (polycarbonate lens)
- 0-10 V dimming as standard

*All features not available on every model. Please refer to product part number pages for model specifics.

Mechanical Information

| | |
|-------------------------|---|
| Fixture weight: | |
| Glass: | 5.4 kg (12 lb) |
| Polycarbonate: | 4.5 kg (10 lb) |
| Shipping weight: | |
| Glass: | 6.3 kg (14 lb) |
| Polycarbonate: | 5.4 kg (12 lb) |
| Mounting: | Stainless steel, wall and pole mounting bracket options |
| | Secondary retention standard |
| Cable Entries: | Wall: (4) M25 |
| Terminals: | Stanchion, Wall: 0,5-4mm ² x 5 |

Specifications

| | | | |
|--------------------------|---|-----------------|---|
| Voltage options: | 100-277 VAC 50/60Hz, 120-250 VDC | Housing: | Copper-free aluminium |
| Operating temp: | -40°C to +65°C | Lens: | Hard-coated polycarbonate Tempered glass |
| Power factor: | >0.9 | Finish: | Superior dual coat finish - Sealed polyester topcoat |
| THD: | <20% | CRI: | 80 |
| Surge protection: | 6kV / 3kA combination wave, as per IEEE C62.41, line-line and line-ground | CCT: | 5000K (cool white) |
| | | | 4000K (neutral white) |
| | | | 2700K (neutral white) |
| | | | Amber |

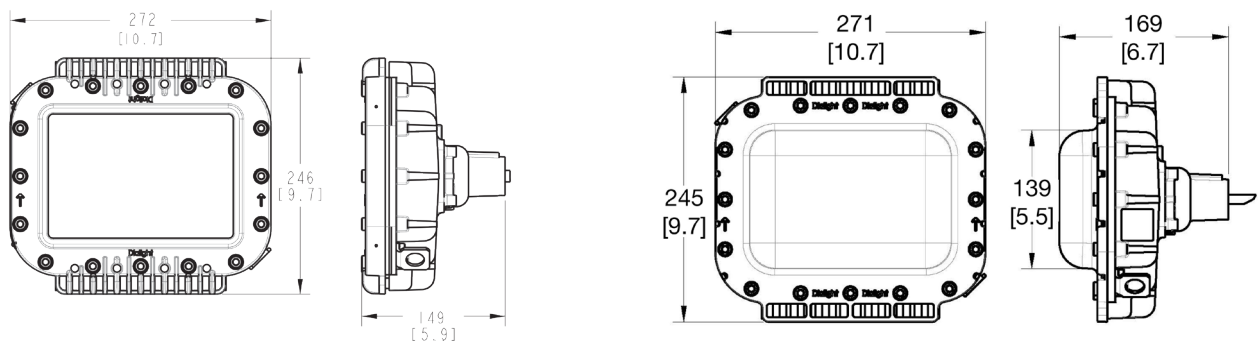
Comparison

| | Warranty | L70 |
|-------------------------|----------|----------|
| Dialight LED Area Light | 10yr | >300,000 |
| Metal Halide | 1 | 15,000 |
| High Pressure Sodium | 1 | 20,000 |

Lumens Wattage lm/W Mounting Heights

| Lumens | Wattage | lm/W | Mounting Heights |
|--------|---------|------|------------------|
| 9,000 | 66 | 136 | 10m |
| 5,700 | 40 | 143 | ↕ |
| 4,200 | 30 | 140 | 3m |

Dimensions



Dimension in mm [inches]

WARNING - INSTALLATION & SECONDARY RETENTION. Use of any Dialight products without proper installation (including secondary retention / netting) and periodic inspections could cause severe injury or death. Dialight recommends that all installations should use secondary retention / netting (appropriate to the installation environment) where applicable. It is the exclusive responsibility of the contractor, installer and/or end-user to: (a) determine the suitability of the product for its intended application; and, (b) ensure that the product is safely installed (with secondary retention / netting where appropriate) and in compliance with all applicable laws and regulations. To the extent permissible under applicable laws, Dialight disclaims all liability for personal injury and/or other damage resulting from any dislodgment or other dislocation of its products.

Vigilant® LED Area Light - CE

Australia Order Codes

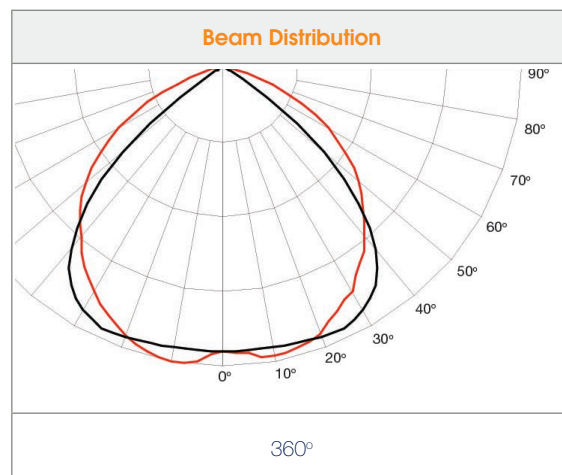
| Current Part Number | Historic Part Number | Fixture Lumens | Wattage | lm/W | Voltage | Colour Temperature (CCT) | Lens | Beam Distribution | Mounting Options |
|--------------------------|----------------------|----------------|---------|------|--------------------------|--------------------------|---------------|-------------------|--|
| CE - 4000K Models | | | | | | | | | |
| ALE5BN27DBWMGN | STW9C2NEU | 6,500 | 52 | 125 | 100-277 VAC, 120-250 VDC | 4000K (neutral white) | Polycarbonate | 360° | 316 stainless steel adjustable bracket |
| ALE5BN27DWNUGN | STW9C2NW45EU | 6,500 | 52 | 125 | 100-277 VAC, 120-250 VDC | 4000K (neutral white) | Polycarbonate | 360° | 45° wall mount |
| ALE5BN27DSNUGN | STW9C2NS45EU | 6,500 | 52 | 125 | 100-277 VAC, 120-250 VDC | 4000K (neutral white) | Polycarbonate | 360° | 45° stanchion mount |
| ALE5BN29DBWMGN | | 8,100 | 66 | 123 | 100-277 VAC, 120-250 VDC | 4000K (neutral white) | Polycarbonate | 360° | 316 stainless steel adjustable bracket |
| ALE7BN29DBWMGN | | 8,800 | 66 | 123 | 100-277 VAC, 120-250 VDC | 4000K (neutral white) | Glass | 360° | 316 stainless steel adjustable bracket |
| CE - 2700K Models | | | | | | | | | |
| ALE5BW27DWNUGN | STW9C2NEU | 6,100 | 52 | 117 | 100-277 VAC, 120-250 VDC | 2700K (neutral white) | Polycarbonate | 360° | 316 stainless steel adjustable bracket |
| ALE5BW27DWNUGN | STW9C2NW45EU | 6,100 | 52 | 117 | 100-277 VAC, 120-250 VDC | 2700K (neutral white) | Polycarbonate | 360° | 45° wall mount |
| ALE5BW27DSNUGN | STW9C2NS45EU | 6,100 | 52 | 117 | 100-277 VAC, 120-250 VDC | 2700K (neutral white) | Polycarbonate | 360° | 45° stanchion mount |
| CE - Amber Models | | | | | | | | | |
| ALEABN29DBWMGN | | 4,050 | 66 | 61 | 100-277 VAC, 120-250 VDC | Amber | Polycarbonate | 360° | 316 stainless steel adjustable bracket |
| ALEABN27DBWMGN | | 3,250 | 52 | 63 | 100-277 VAC, 120-250 VDC | Amber | Polycarbonate | 360° | 316 stainless steel adjustable bracket |
| ALEABN27DSNUGN | | 3,250 | 52 | 63 | 100-277 VAC, 120-250 VDC | Amber | Polycarbonate | 360° | 45° stanchion mount |
| ALEABN27DWNUGN | | 3,250 | 52 | 63 | 100-277 VAC, 120-250 VDC | Amber | Polycarbonate | 360° | 45° wall mount |
| ALEABN27DWNUGN | | 3,250 | 52 | 63 | 100-277 VAC, 120-250 VDC | Amber | Polycarbonate | 360° | 45° wall mount |

All values typical unless otherwise stated (tolerance +/- 10%).

Part numbers listed in **bold** are typically available in stock.

Please see made to order options page 39 for more models available.

Historical part number provided for reference only. For performance characteristics of historical product, please contact your local representative.



DISCLAIMER. All product information provided is, to the best of Dialight's knowledge, accurate as of the date of publication. When ordering, refer to www.dialight.com for current versions of: (a) relevant product documentation (including the relevant product data sheets); (b) Dialight terms and conditions of sale; and, (c) the relevant product warranty. To the extent that any contract is deemed formed between Dialight and the purchaser of Dialight products and/or an end-user, versions of documents available at www.dialight.com as at the date of sale shall be the versions incorporated therein. In the event of any discrepancy between this document or information provided at www.dialight.com, the latter shall prevail.

Vigilant® LED Area Light - UL

Technical Specifications



Ratings and Certifications

- 10 year warranty
- L70 >300,000 hours @ 65°C ambient
- UL
- IP66 / 67 / 69
- IK07 (glass lens) / IK10 (polycarbonate lens)
- 0-10 V dimming as standard

*All features not available on every model. Please refer to product part number pages for model specifics.

Mechanical Information

| | |
|-------------------------|---|
| Fixture weight: | |
| Glass: | 5.4 kg (12 lb) |
| Polycarbonate: | 4.5 kg (10 lb) |
| Shipping weight: | |
| Glass: | 6.3 kg (14 lb) |
| Polycarbonate: | 5.4 kg (12 lb) |
| Mounting: | Stainless steel, wall and pole mounting bracket options |
| | Secondary retention standard |

Specifications

| | | | |
|--------------------------|--------------------------------------|-----------------|---|
| Voltage options: | 100-277 VAC 50/60Hz, 120-250 VDC | Housing: | Copper-free aluminium |
| Operating temp: | -40°C to +65°C | Lens: | Hard-coated polycarbonate Tempered glass |
| Power factor: | >0.9 | Finish: | Superior dual coat finish - Sealed polyester topcoat |
| THD: | <20% | CRI: | 80 |
| Surge protection: | 6kV, 2 Ohm line-line and line-ground | CCT: | 5000K (cool white) |
| | | | 4000K (neutral white) |
| | | | 2700K (warm white) |

Comparison

| | Warranty | L70 |
|-------------------------|----------|----------|
| Dialight LED Area Light | 10yr | >300,000 |
| Metal Halide | 1 | 15,000 |
| High Pressure Sodium | 1 | 20,000 |

Lumens

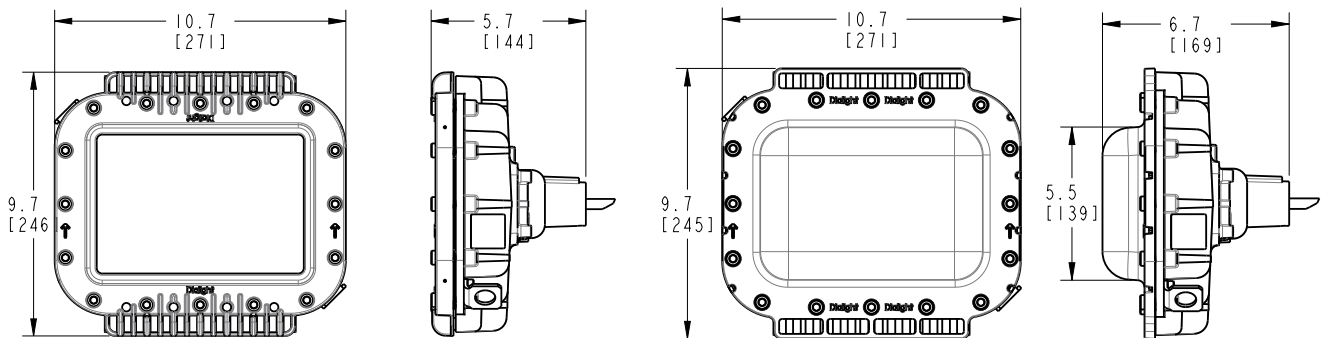
Wattage

lm/W

Mounting Heights

| | | | |
|-------|----|-----|-----|
| 9,000 | 66 | 136 | 10m |
| 5,700 | 40 | 143 | ↕ |
| 4,200 | 30 | 140 | |

Dimensions



Dimension in inches [mm]

WARNING - INSTALLATION & SECONDARY RETENTION. Use of any Dialight products without proper installation (including secondary retention / netting) and periodic inspections could cause severe injury or death. Dialight recommends that all installations should use secondary retention / netting (appropriate to the installation environment) where applicable. It is the exclusive responsibility of the contractor, installer and/or end-user to: (a) determine the suitability of the product for its intended application; and, (b) ensure that the product is safely installed (with secondary retention / netting where appropriate) and in compliance with all applicable laws and regulations. To the extent permissible under applicable laws, Dialight disclaims all liability for personal injury and/or other damage resulting from any dislodgment or other dislocation of its products.

Vigilant® LED Area Light - UL

Asia Order Codes

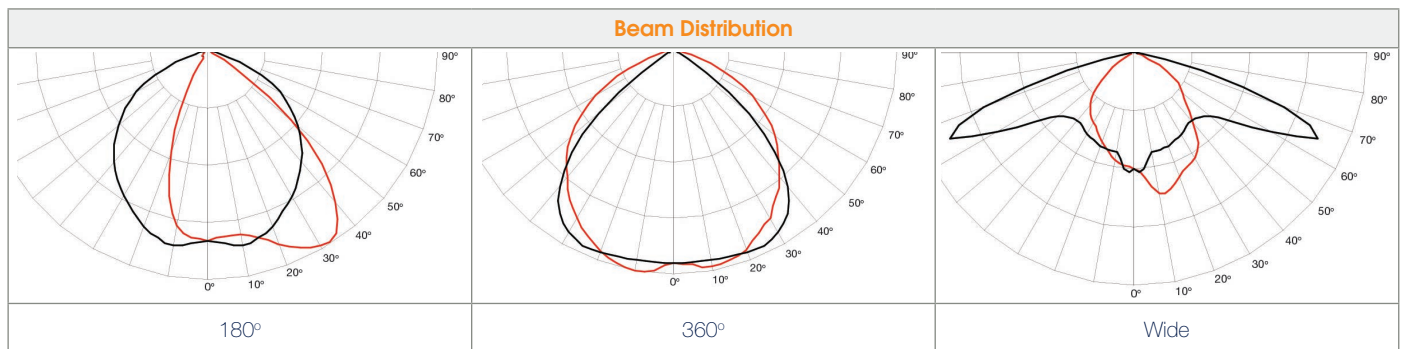
| Current Part Number | Historic Part Number | Fixture Lumens | Wattage | lm/W | Voltage | Colour Temperature (CCT) | Lens | Beam Distribution | Mounting Options |
|--------------------------|----------------------|----------------|---------|-------|--------------------------|--------------------------|---------------|-------------------|------------------------------------|
| UL - 4000K Models | | | | | | | | | |
| ALU5BN23DBWNGN | STW3C2N | 2,700 | 24 | 112.5 | 100-277 VAC, 120-250 VDC | 4000K (neutral white) | Polycarbonate | 360° | Stainless steel adjustable bracket |
| ALU5BN27DBWNGN | STW9C2N | 6,500 | 52 | 125 | 100-277 VAC, 120-250 VDC | 4000K (neutral white) | Polycarbonate | 360° | Stainless steel adjustable bracket |
| ALU7BN29DBWNGN | STW3C2N | 8,800 | 66 | 133 | 100-277 VAC, 120-250 VDC | 4000K (neutral white) | Glass | 360° | Stainless steel adjustable bracket |
| ALU5AN27DVNNGN | STW4C2NW01 | 6,400 | 52 | 123 | 100-277 VAC, 120-250 VDC | 4000K (neutral white) | Polycarbonate | 180° | Wall mount |
| ALU5BN27DVNNGN | STW5C2NW01 | 6,500 | 52 | 125 | 100-277 VAC, 120-250 VDC | 4000K (neutral white) | Polycarbonate | 360° | Wall mount |
| ALU5WN27DVNNGN | STW5C2NW01 | 6,500 | 52 | 125 | 100-277 VAC, 120-250 VDC | 4000K (neutral white) | Polycarbonate | Wide | Wall mount |
| ALU5BN27DWNUGN | STW9C2NW45 | 6,500 | 52 | 125 | 100-277 VAC, 120-250 VDC | 4000K (neutral white) | Polycarbonate | 360° | Wall mount 45° |
| ALU5BN29DWNUGN | | 8,100 | 66 | 123 | 100-277 VAC, 120-250 VDC | 4000K (neutral white) | Polycarbonate | 360° | Wall mount 45° |
| ALU5BN27DSNUGN | | 8,100 | 66 | 123 | 100-277 VAC, 120-250 VDC | 4000K (neutral white) | Polycarbonate | 360° | Stanchion mount 45° |
| UL - 2700K Models | | | | | | | | | |
| ALU5BW23DBWNGN | STW3C2N | 2,500 | 24 | 104 | 100-277 VAC, 120-250 VDC | 2700K (neutral white) | Polycarbonate | 360° | Stainless steel adjustable bracket |
| ALU5BW27DBWNGN | STW9C2N | 6,100 | 52 | 117 | 100-277 VAC, 120-250 VDC | 2700K (neutral white) | Polycarbonate | 360° | Stainless steel adjustable bracket |
| ALU5BW27DWNUGN | STW9C2NW45 | 6,100 | 52 | 117 | 100-277 VAC, 120-250 VDC | 2700K (neutral white) | Polycarbonate | 360° | Wall mount 45° |
| ALU5BW27DSNUGN | STW9C2NS45 | 6,100 | 52 | 117 | 100-277 VAC, 120-250 VDC | 2700K (neutral white) | Polycarbonate | 360° | Stanchion mount 45° |

All values typical unless otherwise stated (tolerance +/- 10%).

Part numbers listed in **bold** are typically available in stock.

Please see made to order options page 39 for more models available.

Historical part number provided for reference only. For performance characteristics of historical product, please contact your local representative.



DISCLAIMER. All product information provided is, to the best of Dialight's knowledge, accurate as of the date of publication. When ordering, refer to www.dialight.com for current versions of: (a) relevant product documentation (including the relevant product data sheets); (b) Dialight terms and conditions of sale; and, (c) the relevant product warranty. To the extent that any contract is deemed formed between Dialight and the purchaser of Dialight products and/or an end-user, versions of documents available at www.dialight.com as at the date of sale shall be the versions incorporated therein. In the event of any discrepancy between this document or information provided at www.dialight.com, the latter shall prevail.

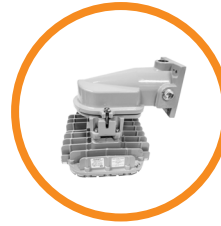
Vigilant® LED Area Light - CE/UL

Accessories



ALxxxx2xDNNxGN

- Adjustable mounting bracket



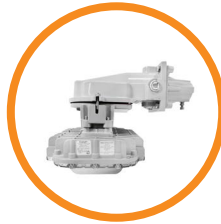
ALxxxx2xDVNxGN

- 0° wall mount



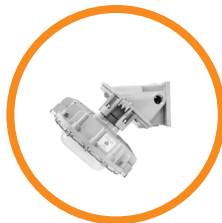
ALxxxx2xDSNxGN

- 45° stanchion mount



ALxxxx2xDYNxGN

- 35mm slip-fit pole mount



ALxxxx2xDWNxGN

- 45° wall mount



Certified to: UL 50E • CSA C22.2 No. 94.2-07

HZXSTAN100S

- 1.00" (1.315" Pole OD) slip-fit stanchion mount

HZXSTAN125S

- 1.25" (1.660" Pole OD) slip-fit stanchion mount

HZXSTAN052S

- 52mm slip-fit stanchion mount

HZXSTAN200S

- 2.00" (2.375" Pole OD) slip-fit stanchion mount

HZXSTAN100T

- 1.00" (1.315" Pole OD) NPT-threaded stanchion mount

HZXSTAN125T

- 1.25" (1.660" Pole OD) NPT-threaded stanchion mount

HZXSTAN150T

- 1.50" (1.900" Pole OD) NPT-threaded stanchion mount

HZXSTAN200T

- 2.00" (2.375" Pole OD) NPT-threaded stanchion mount



HZXW3

- 316 stainless steel bracket

HZXW7

- Aluminum bracket



HZXSAFECBLS

- Safety cable kit



HZXW4

- 316 stainless steel bracket with 1.5" pipe clamp

HZXW8

- Aluminum bracket with 1.5" pipe clamp

DISCLAIMER. All product information provided is, to the best of Dialight's knowledge, accurate as of the date of publication. When ordering, refer to www.dialight.com for current versions of: (a) relevant product documentation (including the relevant product data sheets); (b) Dialight terms and conditions of sale; and, (c) the relevant product warranty. To the extent that any contract is deemed formed between Dialight and the purchaser of Dialight products and/or an end-user, versions of documents available at www.dialight.com as at the date of sale shall be the versions incorporated therein. In the event of any discrepancy between this document or information provided at www.dialight.com, the latter shall prevail.

Vigilant® LED Area Light - CE/UL

Ordering Options

Product Type

Area Light

Certification

UL 1598/A, CSA 22.2 No. 250

CE / RCM

Lens Material

Polycarbonate - Diffused

Glass - Clear

Beam Distribution

180°

360°

Wide

CCT & CRI

Cool White 5000K - 80 CRI

Neutral White 4000K - 80 CRI

Warm White 2700K - 80 CRI

Amber

Operating Voltage

100-277 VAC, 120-250 VDC

Lumen Type

3,001 - 4,000 Lumens

4,001 - 5,000 Lumens

5,001 - 6,000 Lumens

6,001 - 7,000 Lumens

8,001 - 9,000 Lumens

Controls

Dimming (0-10 VDC)

Mounting Options

 Retro-fit Adapter

 Universal Mounting Adapter (UMA)

 Appleton Mercmaster III

Swivel Bracket, Locking 0°- 90°
316 Stainless Steel

 Crouse-Hinds - Champ

 GE Filtr-Gard

 Thomas & Betts Hazlux

 Killark Certilite & Certilite V

 Appleton Mercmaster II

 3/4" NPT

 45° Stanchion Mount

 UMA - Mounting Hub

 0° Wall Mount

 45° Wall Mount

 34mm Conveyor Mount

*Retro-fit adapters are for use with UL certified products.

Hardware Accessories

Junction Box with 4mm
Push Type Terminals

10 ft (3 meter) Power Cable for
Mounting Options

Coatings

Gray (RAL 7040)

Vigilant® LED Conveyor Light - CE/UL

Technical Specifications



Ratings and Certifications

- 10 year warranty
- L70 >300,000 hours @ 65°C ambient
- RCM / CE / ENEC
- IP66 / 67
- IK07 (glass lens) / IK10 (polycarbonate lens)

*All features not available on every model. Please refer to product part number pages for model specifics.

Mechanical Information

| | |
|-------------------------|-------------------------------|
| Fixture weight: | Polycarb - 6.8 kg (15 lb) |
| | Glass - 8.2kg (18 lb) |
| Shipping weight: | Polycarb - 7.7 kg (17 lb) |
| | Glass - 9.1 kg (20 lb) |
| Mounting: | 34mm slip-fit stanchion mount |
| | Secondary retention standard |
| Cable Entries: | M25 x 4 |
| Terminals: | 0.50 - 4.0mm ² x 5 |

Specifications

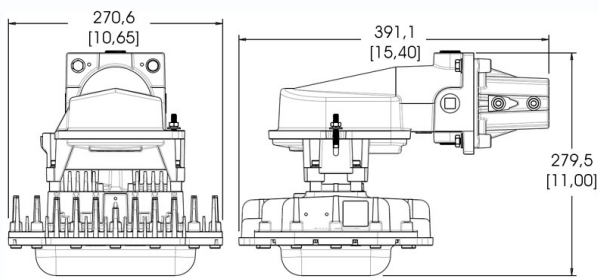
| | | | |
|--------------------------|---|-----------------|--|
| Voltage options: | 100-277 VAC 50/60Hz, 120-250 VDC | Housing: | Copper-free aluminium |
| | | Lens: | Hard-coated polycarbonate Tempered glass |
| Operating temp: | -40°C to +65°C | Finish: | Superior dual coat finish - Sealed polyester topcoat - Chemical-resistant epoxy primer |
| Power factor: | >0.9 | CRI: | 80 |
| THD: | <20% | CCT: | 5000K (cool white) |
| Surge protection: | 6kV / 3kA combination wave, as per IEEE C62.41, line-line and line-ground | | 4000K (neutral white) |
| | | | 2700K (warm white) |
| | | Amber | |

Comparison

| | Warranty | L70 |
|-----------------------------|----------|----------|
| Dialight LED Conveyor Light | 10yr | >300,000 |
| High Pressure Sodium | 1 | 24,000 |
| Metal Halide | 1 | 15,000 |

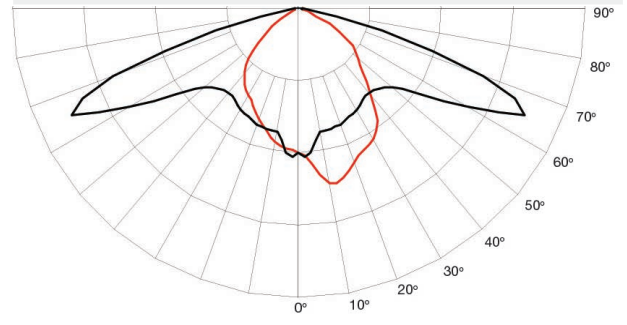
| Lumens | Wattage | lm/W | Mounting Heights |
|--------|---------|------|------------------|
| 6,700 | 64 | 105 | Up to 6m |

Dimensions



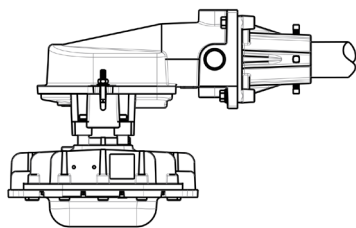
Dimension in mm [inches]

Beam Distribution



Wide

Mounting Options



34mm Slip-Fit Stanchion Mount Junction Box

WARNING - INSTALLATION & SECONDARY RETENTION. Use of any Dialight products without proper installation (including secondary retention / netting) and periodic inspections could cause severe injury or death. Dialight recommends that all installations should use secondary retention / netting (appropriate to the installation environment) where applicable. It is the exclusive responsibility of the contractor, installer and/or end-user to: (a) determine the suitability of the product for its intended application; and, (b) ensure that the product is safely installed (with secondary retention / netting where appropriate) and in compliance with all applicable laws and regulations. To the extent permissible under applicable laws, Dialight disclaims all liability for personal injury and/or other damage resulting from any dislodgment or other dislocation of its products.

Vigilant® LED Conveyor Light - CE/UL

Australia & Asia Order Codes

| Current Part Number | Historic Part Number | Fixture Lumens | Wattage | lm/W | Voltage | Colour Temperature (CCT) | Lens | Beam Distribution |
|-------------------------|----------------------|----------------|---------|------|--------------------------|--------------------------|---------------|-------------------|
| Australia Models | | | | | | | | |
| ALE5WN27DYNVGN | STWYC2N-CV34 | 6,500 | 64 | 103 | 100-277 VAC, 120-250 VDC | 4000K (neutral white) | Polycarbonate | Wide |
| ALE5WW27DYNVGN | STWYC2N-CV34 | 6,000 | 64 | 95 | 100-277 VAC, 120-250 VDC | 2700K (warm white) | Polycarbonate | Wide |
| ALEAWN27DYNVGN | | 3,250 | 64 | 51 | 100-277 VAC, 120-250 VDC | Amber | Polycarbonate | Wide |

| Current Part Number | Historic Part Number | Fixture Lumens | Wattage | lm/W | Voltage | Colour Temperature (CCT) | Lens | Beam Distribution |
|---------------------|----------------------|----------------|---------|------|--------------------------|--------------------------|---------------|-------------------|
| Asia Models | | | | | | | | |
| ALU5WN27DYNVGN | STWYC2N-CV34 | 6,500 | 64 | 103 | 100-277 VAC, 120-250 VDC | 4000K (neutral white) | Polycarbonate | Wide |
| ALU5WW27DYNVGN | STWYC2N-CV34 | 6,000 | 64 | 95 | 100-277 VAC, 120-250 VDC | 2700K (warm white) | Polycarbonate | Wide |

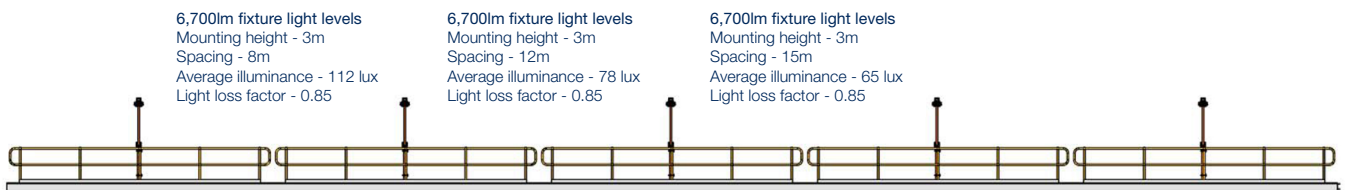
All values typical unless otherwise stated (tolerance +/- 10%).

Part numbers listed in **bold** are typically available in stock.

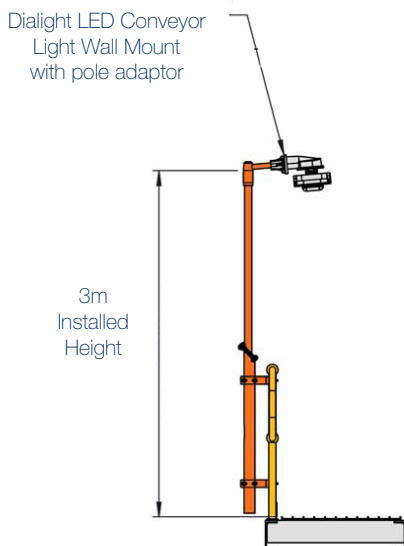
Part numbers listed in the table above are neutral white. For cool white models, replace the 6th character with a **C**.

Historical part number provided for reference only. For performance characteristics of historical product, please contact your local representative.

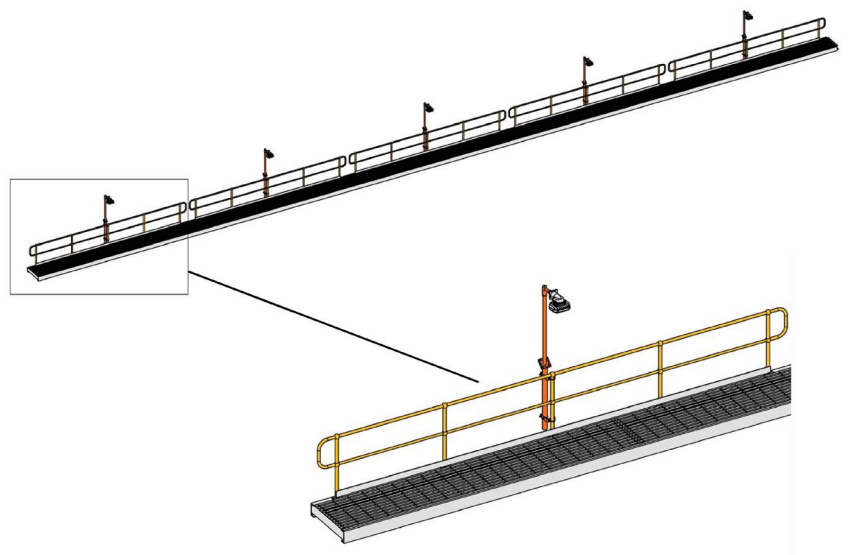
Spacing Table



Mounting Options



Conveyor Light Spacing



DISCLAIMER. All product information provided is, to the best of Dialight's knowledge, accurate as of the date of publication. When ordering, refer to www.dialight.com for current versions of: (a) relevant product documentation (including the relevant product data sheets); (b) Dialight terms and conditions of sale; and, (c) the relevant product warranty. To the extent that any contract is deemed formed between Dialight and the purchaser of Dialight products and/or an end-user, versions of documents available at www.dialight.com as at the date of sale shall be the versions incorporated therein. In the event of any discrepancy between this document or information provided at www.dialight.com, the latter shall prevail.

DuroSite® LED Floodlight - CE/UL

Technical Specifications



Ratings and Certifications

- 10 year warranty
- L70 >150,000 hours @ 25°C ambient
- CE / RCM / UL
- IP66 / 67
- IK07 (glass lens)

*All features not available on every model. Please refer to product part number pages for model specifics.

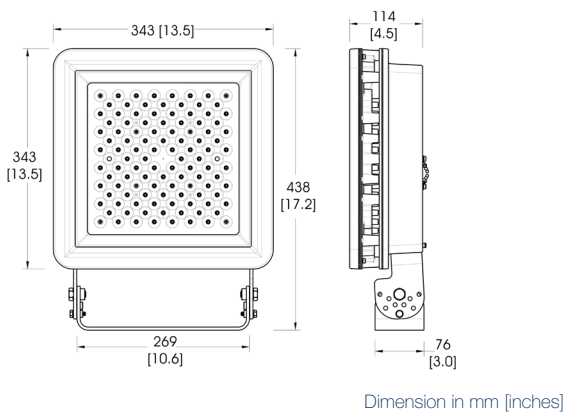
Mechanical Information

| | |
|-------------------------|---|
| Fixture weight: | 13.6 kg (30 lb) |
| Shipping weight: | 15.4 kg (34 lb) |
| Mounting: | 304 stainless steel trunion mounting bracket included |
| | Secondary retention standard |
| Cable Entries: | (2) M20 x 1.5mm |
| Terminals: | 0.5-4mm ² x 3 via integrated junction box |

Specifications

| | | | |
|--------------------------|--------------------------------------|-----------------|--|
| Voltage options: | 100-277 VAC, 50/60Hz | Housing: | Die cast aluminium |
| Operating temp: | -40°C to +65°C | Lens: | Tempered glass Polycarbonate |
| | | Finish: | Superior dual coat finish - Sealed polyester topcoat - Chemical-resistant epoxy primer |
| Power factor: | >0.9 | CRI: | 70 |
| THD: | <20% | CCT: | 5000K (cool white) 4000K (neutral white) |
| Surge protection: | 6kV line-to-line, 6kV line-to-ground | | |

Dimensions

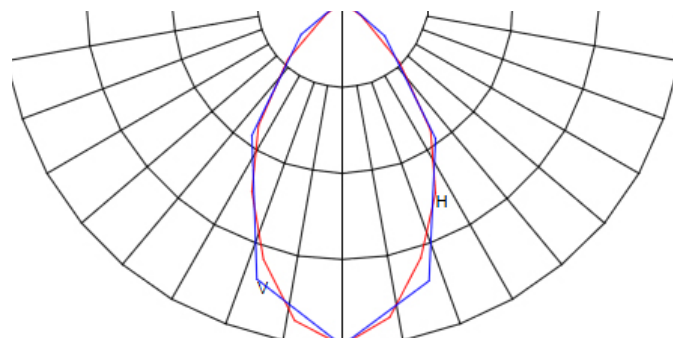


| Lumens | Wattage | lm/W | Mounting Heights |
|--------|---------|------|------------------|
| 15,000 | 135 | 111 | 15m |
| 14,750 | 135 | 109 | |
| 14,500 | 140 | 104 | |
| 13,500 | 140 | 96 | |
| 11,500 | 106 | 108 | |
| 11,250 | 106 | 106 | |
| 11,000 | 106 | 104 | |
| 10,750 | 106 | 101 | |
| 10,500 | 106 | 99 | |

Comparison

| | Warranty | L70 |
|-------------------------|----------|----------|
| Dialight LED Floodlight | 10yr | >150,000 |
| Metal Halide | 1 | 15,000 |
| High Pressure Sodium | 1 | 20,000 |

Beam Distribution



Field Angle = 115°

WARNING - INSTALLATION & SECONDARY RETENTION. Use of any Dialight products without proper installation (including secondary retention / netting) and periodic inspections could cause severe injury or death. Dialight recommends that all installations should use secondary retention / netting (appropriate to the installation environment) where applicable. It is the exclusive responsibility of the contractor, installer and/or end-user to: (a) determine the suitability of the product for its intended application; and, (b) ensure that the product is safely installed (with secondary retention / netting where appropriate) and in compliance with all applicable laws and regulations. To the extent permissible under applicable laws, Dialight disclaims all liability for personal injury and/or other damage resulting from any dislodgment or other dislocation of its products.

DuroSite® LED Floodlight - CE/UL

Australia & Asia Order Codes

| Current Part Number | Historic Part Number | Fixture Lumens | Wattage | lm/W | Voltage | Colour Temperature (CCT) | Lens | Beam Distribution |
|---------------------|----------------------|----------------|---------|------|-------------|--------------------------|----------------|-------------------|
| FLE76B2BNTNNGN | FLE466MC4NG | 15,000 | 135 | 111 | 100-277 VAC | 5000K (cool white) | Tempered Glass | NEMA 6 |
| FLE76N2BNTNNGN | FLE466MN4NG | 14,250 | 135 | 105 | 100-277 VAC | 4000K (neutral white) | Tempered Glass | NEMA 6 |
| FLE46B2BNTNNGN | FLE466MC4NP | 14,000 | 135 | 104 | 100-277 VAC | 5000K (cool white) | Polycarbonate | NEMA 6 |
| FLE46N2BNTNNGN | FLE466MN4NP | 13,250 | 135 | 98 | 100-277 VAC | 4000K (neutral white) | Polycarbonate | NEMA 6 |

All values typical unless otherwise stated (tolerance +/- 10%).

Part numbers listed in **bold** are typically available in stock.

Part numbers listed in the table above are neutral white. For cool white models, replace the 8th character with a **C**.

Historical part number provided for reference only. For performance characteristics of historical product, please contact your local representative.



HZXSAFECBLS

- Stainless steel safety cable kit

DuroSite® LED Linear - CE/UL

Technical Specifications



Ratings and Certifications

- 5 year warranty
- L70 >100,000 hours @ 25°C ambient
- CE / ENEC / RCM / UL
- IP66 / 67

*All features not available on every model. Please refer to product part number pages for model specifics.

Mechanical Information

| | |
|-------------------------|--|
| Fixture weight: | |
| 1.22m: | 5.9 kg (13 lb) |
| 0.61m: | 4.5 kg (10 lb) |
| Shipping weight: | |
| 1.22m: | 8.2 kg (18 lb) |
| 0.61m: | 6.8 kg (15 lb) |
| Mounting: | (4) M25 openings Factory-installed 316 stainless steel swivel bracket - LPXW4 Secondary retention option available |
| Cable Entries: | (4) M25 x 1.5 |
| Terminals: | 0.5-4mm ² x 3 via integrated junction box |

Specifications

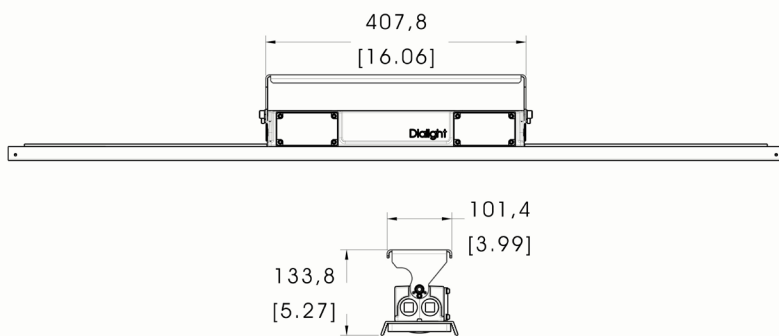
| | | | |
|--------------------------|---|-----------------|--|
| Voltage options: | 100-277 VAC | Housing: | Copper-free aluminium |
| Operating temp: | -40°C to +65°C | Lens: | Polycarbonate diffused |
| Power factor: | >0.9 | Finish: | Superior dual coat finish - Sealed polyester topcoat - Chemical-resistant epoxy primer |
| THD: | <20% | CRI: | 80 |
| Surge protection: | EN 61000-4-5 4 kV line-to-line, 4 kV line-to-ground | CCT: | 5000K (cool white) 4000K (neutral white) |

Comparison

| | Warranty | L70 |
|---------------------|----------|----------|
| Dialight LED Linear | 5yr | >100,000 |
| Fluorescent | 1 | 24,000 |

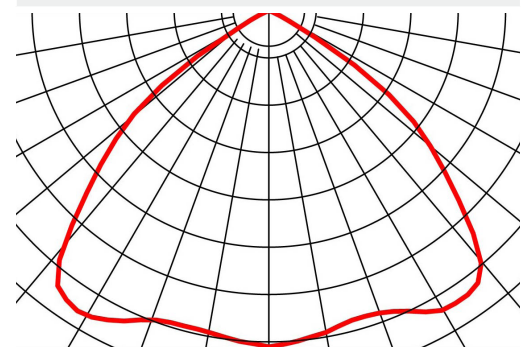
| Lumens | Wattage | Lm/W | Mounting Heights |
|--------|---------|------|------------------|
| 6,700 | 66 | 102 | 6m |
| | | | ↕ |
| 3,300 | 33 | 100 | 3m |

Dimensions



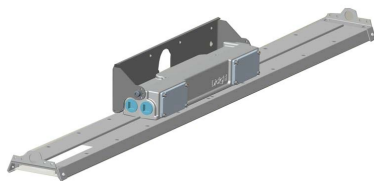
Dimension in mm [inches]

Beam Distribution

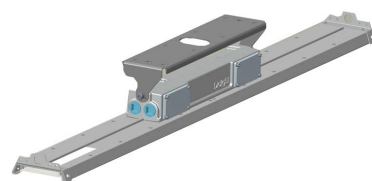


Medium

Mounting Options



Side Mount - LPXW4 (included)



Top Mount - LPXW4 (included)

WARNING - INSTALLATION & SECONDARY RETENTION. Use of any Dialight products without proper installation (including secondary retention / netting) and periodic inspections could cause severe injury or death. Dialight recommends that all installations should use secondary retention / netting (appropriate to the installation environment) where applicable. It is the exclusive responsibility of the contractor, installer and/or end-user to: (a) determine the suitability of the product for its intended application; and, (b) ensure that the product is safely installed (with secondary retention / netting where appropriate) and in compliance with all applicable laws and regulations. To the extent permissible under applicable laws, Dialight disclaims all liability for personal injury and/or other damage resulting from any dislodgment or other dislocation of its products.

DuroSite® LED Linear - CE/UL

Australia & Asia Order Codes

| Current Part Number | Historic Part Number | Fixture Lumens | Wattage | lm/W | Voltage | Colour Temperature (CCT) | Lens | Beam Distribution |
|---------------------|----------------------|----------------|---------|------|-------------|--------------------------|------------------------|-------------------|
| LPE3N4B2W | LPE3C4D2P | 3,300 | 33 | 100 | 100-277 VAC | 4000K (neutral white) | Diffused polycarbonate | Medium |
| LPE3N4H2W | LPE3C4M2P | 6,700 | 66 | 102 | 100-277 VAC | 4000K (neutral white) | Diffused polycarbonate | Medium |

All values typical unless otherwise stated (tolerance +/- 10%).

Part numbers listed in **bold** are typically available in stock.

Part numbers listed in the table above are neutral white. For cool white models, replace the 5th character with a **C**.

Historical part number provided for reference only. For performance characteristics of historical product, please contact your local representative.



LPXW4LP

- 316 stainless steel low profile mounting bracket, can be angled at 0° and 15°



LPXW4 (included)

- 316 stainless steel mounting bracket, can be angled at 0°, 30°, 45°, 60°, & 90°



LTXENDCAPKIT

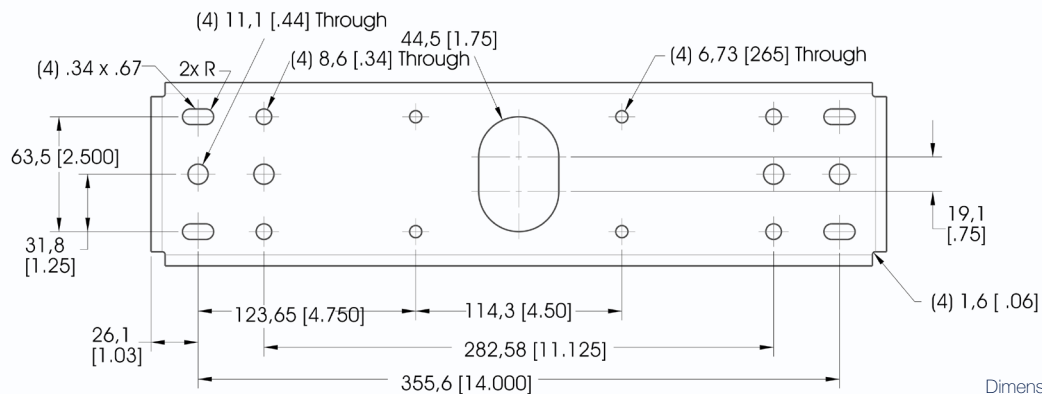
- 304 stainless steel chain mount and secondary retention bracket



LTXSAFEKIT

- Stainless steel safety cable kit for secondary retention

LPXW4 Mounting Bracket Dimensions



Dimension are in mm [inches]

DISCLAIMER. All product information provided is, to the best of Dialight's knowledge, accurate as of the date of publication. When ordering, refer to www.dialight.com for current versions of: (a) relevant product documentation (including the relevant product data sheets); (b) Dialight terms and conditions of sale; and, (c) the relevant product warranty. To the extent that any contract is deemed formed between Dialight and the purchaser of Dialight products and/or an end-user, versions of documents available at www.dialight.com as at the date of sale shall be the versions incorporated therein. In the event of any discrepancy between this document or information provided at www.dialight.com, the latter shall prevail.

DuroSite® LED Bulkhead/Shower Light - CE/UL

Technical Specifications



Ratings and Certifications

- 5 year warranty
- CE / RCM / UL
- IP66 / 67
- Amber or green models available
- Emergency models available

*All features not available on every model. Please refer to product part number pages for model specifics.

| Mechanical Information | | Specifications | | | | |
|-------------------------|--|-------------------------|---------------------------|-------------------------------|--|--|
| Fixture weight: | | Voltage options: | Housing: | Copper-free aluminium | | |
| Standard & Amber Models | | Standard & Amber Models | | Power factor: | >0.9 | |
| 22W/34W: | 4.5 kg (10 lb) | 22W: | 100-277 VAC or 24-48 VDC | | THD: | <20% |
| Emergency Models | | Emergency Models | | Lens: | High impact resistant clear glass or frosted glass | |
| 24W/36W: | 5.4 kg (12 lb) | 34W: | 100-277 VAC | | Finish: | Superior dual coat finish - Sealed polyester topcoat - Chemical-resistant epoxy primer |
| Cable Entries: | All cable entries are drilled and tapped | Emergency Models | | CRI: | 70 | |
| | M20 (standard) | 24W: | 90-132 VAC or 207-264 VAC | | CCT: | |
| Mounting: | Secondary retention not available | 36W: | 207-264 VAC | | | 5650K (cool white) |
| Terminals: | 0.5-4mm ² x 3 via integrated junction box | Standard & Amber Models | | Emergency Models | | |
| | | Emergency Models | | Battery | | |
| | | 22W: | -40°C to +60°C | | 24W: | 3.6V 4Ah NiMH |
| | | 34W: | -40°C to +50°C | | 34W: | 3.6V 10Ah NiMH |
| | | Emergency Models | | 24W: | -0°C to +50°C (-20°C options available) | |
| | | Emergency Models | | 34W: | -0°C to +40°C (-20°C options available) | |
| | | Emergency Models | | Surge protection: | EN 61000-4-5 1kV line to line, 2kV line to ground | |
| | | Emergency Models | | Expected Battery Life: | 4 years | |
| | | Emergency Models | | Battery Duration: | @ 25°C ambient - est. >3 hours | |

| Comparison | | |
|-----------------------|----------|----------|
| | Warranty | L70 |
| Dialight LED Bulkhead | 5yr | >100,000 |
| Metal Halide | 1 | 15,000 |
| High Pressure Sodium | 1 | 20,000 |
| Fluorescent | 1 | 24,000 |

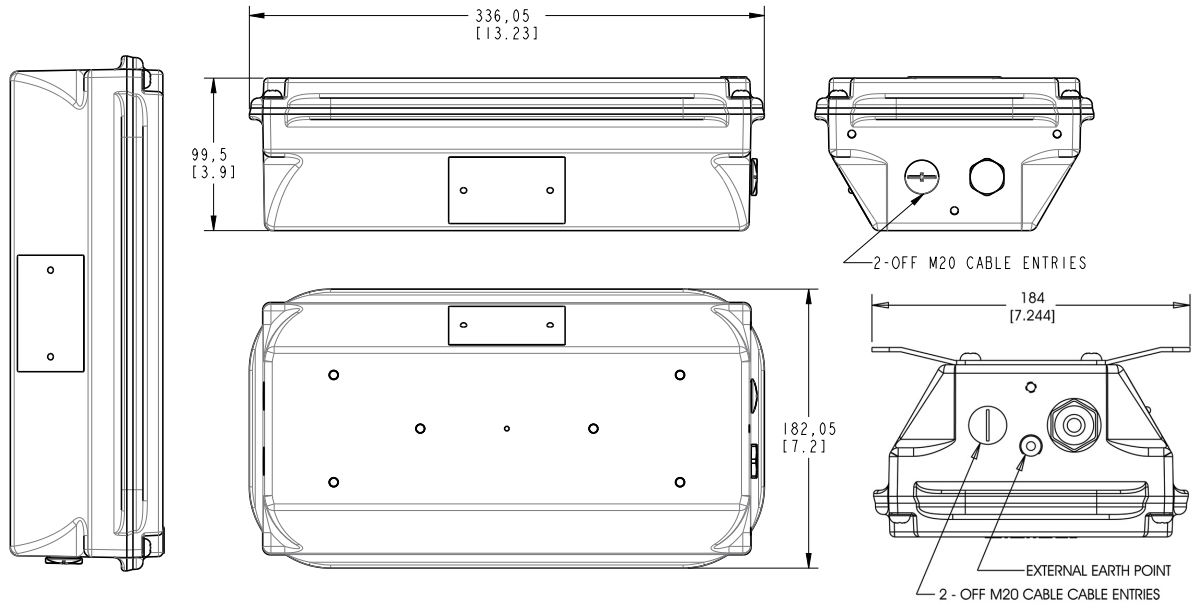
| Standard Models | | | |
|-----------------|---------|------|------------------|
| Lumens | Wattage | lm/W | Mounting Heights |
| 2,250 | 34 | 66 | 6m |
| 1,200 | 22 | 55 | 3m |

WARNING - INSTALLATION & SECONDARY RETENTION. Use of any Dialight products without proper installation (including secondary retention / netting) and periodic inspections could cause severe injury or death. Dialight recommends that all installations should use secondary retention / netting (appropriate to the installation environment) where applicable. It is the exclusive responsibility of the contractor, installer and/or end-user to: (a) determine the suitability of the product for its intended application; and, (b) ensure that the product is safely installed (with secondary retention / netting where appropriate) and in compliance with all applicable laws and regulations. To the extent permissible under applicable laws, Dialight disclaims all liability for personal injury and/or other damage resulting from any dislodgment or other dislocation of its products.

DuroSite® LED Bulkhead/Shower Light - CE/UL

Dimensional Drawings

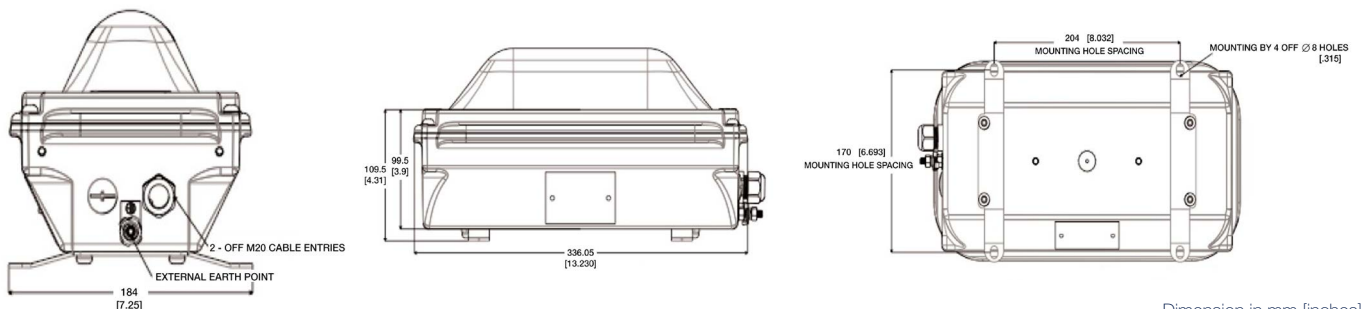
Dimensions - Standard



Dimension in mm [inches]

*2-off cable entries on shower models

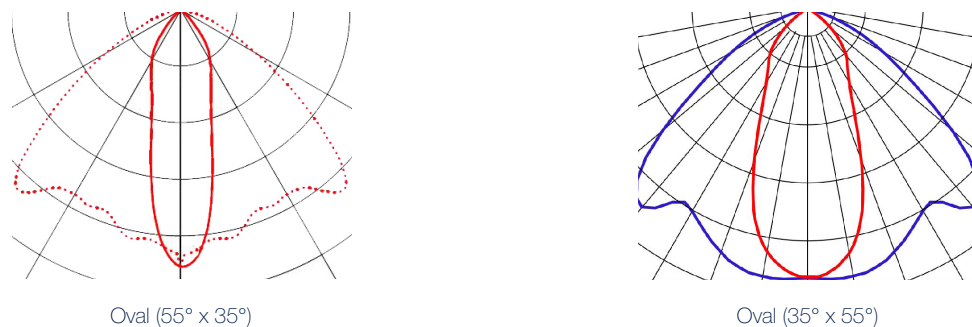
Dimensions - Emergency Shower Safe Model



Dimension in mm [inches]

*Shown with Flush mounting bracket

Beam Distribution



Oval (55° x 35°)

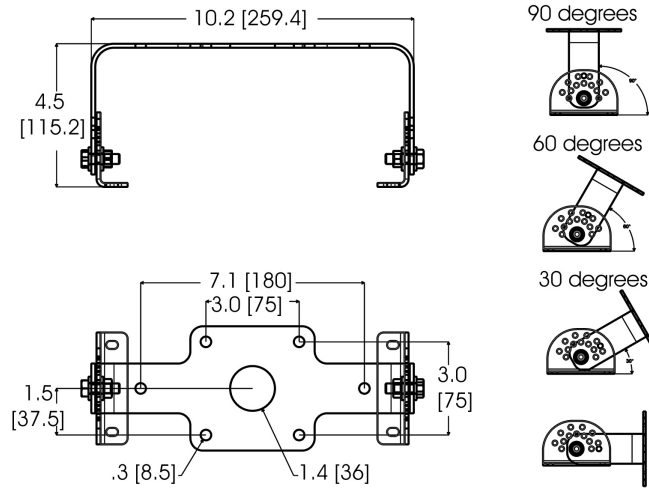
Oval (35° x 55°)

DISCLAIMER. All product information provided is, to the best of Dialight's knowledge, accurate as of the date of publication. When ordering, refer to www.dialight.com for current versions of: (a) relevant product documentation (including the relevant product data sheets); (b) Dialight terms and conditions of sale; and, (c) the relevant product warranty. To the extent that any contract is deemed formed between Dialight and the purchaser of Dialight products and/or an end-user, versions of documents available at www.dialight.com as at the date of sale shall be the versions incorporated therein. In the event of any discrepancy between this document or information provided at www.dialight.com, the latter shall prevail.

DuroSite® LED Bulkhead/Shower Light - CE/UL

Dimensional Drawings

WP-BRKT-SS-ADJ



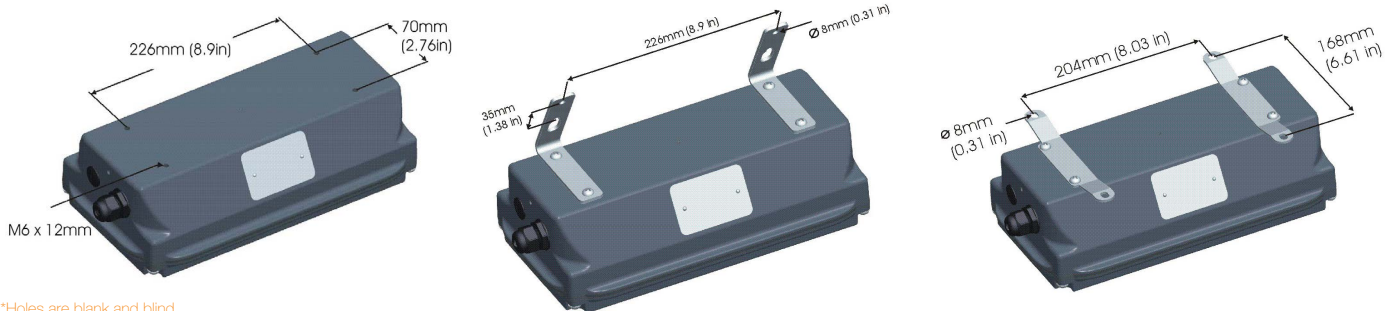
WP-STMB-LG00-XX



Without Bracket

30° Angle Bracket

Flush Bracket



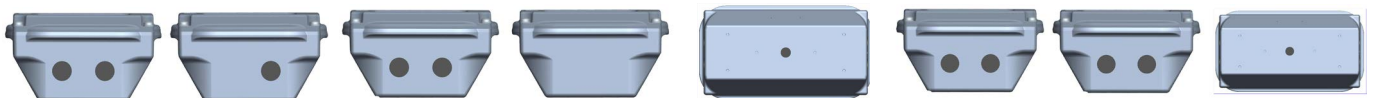
*Holes are blank and blind

Standard Option

Remove last "E" from part code

Option "R"

Option "H"



2 Entries One Side, 1 Entry Opposite Side.

2 Entries One Side

Remove last **E** in the part code and replace with **R** 2 Entries One Side, 2 Entries Opposite Side and 1 Entry in the Rear. Replace last **E** in the part code with an **H**.

DISCLAIMER. All product information provided is, to the best of Dialight's knowledge, accurate as of the date of publication. When ordering, refer to www.dialight.com for current versions of: (a) relevant product documentation (including the relevant product data sheets); (b) Dialight terms and conditions of sale; and, (c) the relevant product warranty. To the extent that any contract is deemed formed between Dialight and the purchaser of Dialight products and/or an end-user, versions of documents available at www.dialight.com as at the date of sale shall be the versions incorporated therein. In the event of any discrepancy between this document or information provided at www.dialight.com, the latter shall prevail.

DuroSite® LED Bulkhead/Shower Light - CE/UL

Australia & Asia Order Codes

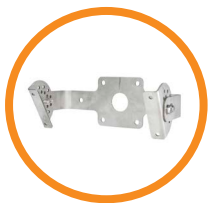
| Current Part Number | Historic Part Number | Fixture Lumens | Wattage | lm/W | Voltage | Colour Temperature (CCT) | Lens | Beam Distribution |
|---|----------------------|----------------|---------|------|-------------|--------------------------|--------------------|-------------------|
| Standard Models - 100-277 VAC | | | | | | | | |
| WP-4N3H-FLGCE | WP-4N3H-FLGC | 1,150 | 22 | 52 | 100-277 VAC | 4300K (neutral white) | Tempered glass | Oval (35° x 55°) |
| WP-5N3H-NLGCE | WP-5N3H-NLGC | 1,150 | 22 | 52 | 100-277 VAC | 4300K (neutral white) | Tempered glass | Oval (55° x 35°) |
| WP-4N3L-FLGCE | WP-4N3L-FLGC | 2,125 | 34 | 63 | 100-277 VAC | 4300K (neutral white) | Tempered glass | Oval (35° x 55°) |
| WP-4N3L-FLGFE | WP-4N3L-FLGC | 2,000 | 34 | 60 | 100-277 VAC | 4300K (neutral white) | Frosted glass | Diffused |
| WP-5N3L-NLGCE | WP-5N3L-NLGC | 2,025 | 34 | 60 | 100-277 VAC | 4300K (neutral white) | Tempered glass | Oval (55° x 35°) |
| Emergency Models - 207-264 VAC | | | | | | | | |
| WE-4N4H-FLGCE | WE-4N4H-FLGC | 1,150 | 24 | 48 | 207-264 VAC | 4300K (neutral white) | Tempered glass | Oval (35° x 55°) |
| WE-5N4H-NLGCE | WE-5N4H-NLGC | 1,150 | 24 | 48 | 207-264 VAC | 4300K (neutral white) | Tempered glass | Oval (55° x 35°) |
| WE-4N4L-FLGCE | WE-4N4L-FLGC | 2,125 | 36 | 59 | 207-264 VAC | 4300K (neutral white) | Tempered glass | Oval (35° x 55°) |
| WE-5N4L-NLGCE | WE-5N4L-NLGC | 2,025 | 36 | 56 | 207-264 VAC | 4300K (neutral white) | Tempered glass | Oval (55° x 35°) |
| Emergency Shower Safe Models - 230/240 VAC | | | | | | | | |
| WE-0G4H-FLGDE | WE-0G4H-FLGD | | 24 | | 230/240 VAC | Green | Polycarbonate dome | Diffused |
| Amber Models | | | | | | | | |
| WP-5A3H-NLGCE | WP-5A3H-NLGC | | 24 | | 100-277 VAC | Amber | Tempered glass | Oval (55° x 35°) |
| WE-5A4H-NLGCE | WE-5A4H-NLGC | | 24 | | 207-264 VAC | Amber | Tempered glass | Oval (55° x 35°) |

All values typical unless otherwise stated (tolerance +/- 10%).

Part numbers listed in **bold** are typically available in stock.

Part numbers listed in the table above are neutral white. For cool white models, replace the 4th character with a **C**.

Historical part number provided for reference only. For performance characteristics of historical product, please contact your local representative.



WP-BRKT-SS-ADJ

- 316 stainless steel adjustable bracket
- Includes self-tapping screws



WP-STMB-LG00- 10

- Non-threaded 50mm bore straight stanchion mounting bracket



WPX-000799-BATT

- 4Ah 3.6V battery module for 22W
- Replacement battery kit
- Battery Backup models



WP-BRKT-LG-PF

- Pipe and flush bracket
- Includes self-tapping screws



WP-STMB-LG25

- Non-threaded 50mm 25° stanchion mounting bracket



WP-STMB-LG85-50

- Non-threaded bore 34mm diameter

Also available:

WP-BRKT-F-KIT

- Flush mounting brackets
- Bracket to fixture hardware
- Includes (2) brackets in 304 stainless steel and stainless mounting hardware

WP-BRKT-SS-30

- 30° angle mounting brackets
- Bracket to fixture hardware
- Includes (2) brackets in 304 stainless steel and stainless mounting hardware

DISCLAIMER. All product information provided is, to the best of Dialight's knowledge, accurate as of the date of publication. When ordering, refer to www.dialight.com for current versions of: (a) relevant product documentation (including the relevant product data sheets); (b) Dialight terms and conditions of sale; and, (c) the relevant product warranty. To the extent that any contract is deemed formed between Dialight and the purchaser of Dialight products and/or an end-user, versions of documents available at www.dialight.com as at the date of sale shall be the versions incorporated therein. In the event of any discrepancy between this document or information provided at www.dialight.com, the latter shall prevail.

SafeSite® LED High Bay - IECEx/ATEX

Technical Specifications



Ratings and Certifications

- 10 year warranty
- CE / ENEC / RCM
- IP66
- IECEx / ATEX Zone 1, 21
- RoHS compliant
- IECEx / ATEX Zone 2, 22
- L70 >150,000 hours @ 25°C ambient

*All features not available on every model. Please refer to product part number pages for model specifics.

Mechanical Information

| | |
|------------------------|---|
| Fixture weight: | 14.1 kg (31 lb) w/ 3m SWB fixed cable |
| | 15.4 kg (34 lb) w/ junction box |
| Mounting: | Aluminum or stainless steel stirrup mounting bracket (included) |
| | Secondary retention option available |
| Wiring options: | Factory fitted junction terminal box with 2 off M25 x 1.5mm or M20 x 1.5 mm cable entries or 3m SWB cable |
| Terminals: | 0,5-4mm² x 6 on junction box models |

Specifications

| | | | |
|--------------------------|--|-----------------|--|
| Voltage options: | 100-277 VAC, 120-250 VDC | Housing: | Copper-free aluminium |
| Operating temp: | -40°C to +60°C | Lens: | Tempered glass (optional fragment retention available) |
| Power factor: | >0.9 | Finish: | Superior dual coat finish - Sealed polyester topcoat - Chemical-resistant epoxy primer |
| THD: | <20% | CRI: | 80 typical |
| Surge protection: | Protection devices capable of handling up to 6kV. Tested for 6kV/2 ohm combination wave, as per IEEE C62.41, line-line and line-ground | CCT: | 5000K (cool white) |
| | | | 4000K (neutral white) |
| | | | 2700K (warm white) |

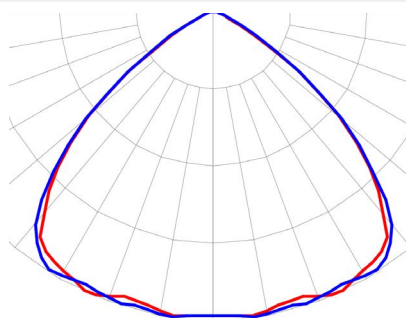
Comparison

| | Warranty | L70 | T-Rating |
|-----------------------|----------|----------|----------|
| Dialight LED High Bay | 10yr | >150,000 | T4 |
| Metal Halide | 1 | 15,000 | T2 |
| High Pressure Sodium | 1 | 20,000 | T2A |

Lumens Wattage lm/W Mounting Heights

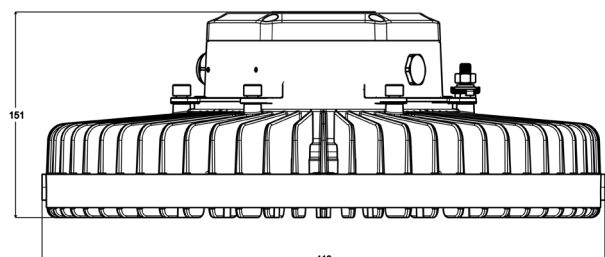
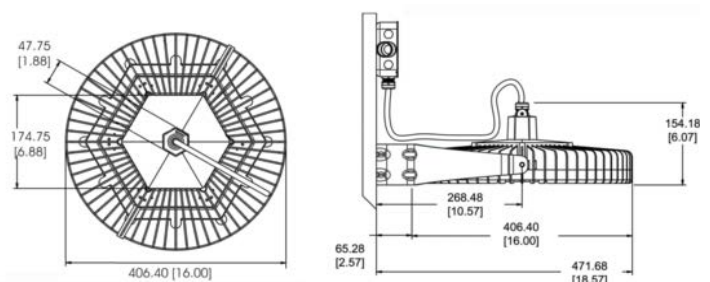
| Lumens | Wattage | lm/W | Mounting Heights |
|--------|---------|------|------------------|
| 20,810 | 148 | 141 | 12m |
| | | | ↕ |
| 7,870 | 58 | 136 | 5m |

Beam Distribution



Medium

Dimensions



Dimension in mm [inches]

WARNING - INSTALLATION & SECONDARY RETENTION. Use of any Dialight products without proper installation (including secondary retention / netting) and periodic inspections could cause severe injury or death. Dialight recommends that all installations should use secondary retention / netting (appropriate to the installation environment) where applicable. It is the exclusive responsibility of the contractor, installer and/or end-user to: (a) determine the suitability of the product for its intended application; and, (b) ensure that the product is safely installed (with secondary retention / netting where appropriate) and in compliance with all applicable laws and regulations. To the extent permissible under applicable laws, Dialight disclaims all liability for personal injury and/or other damage resulting from any dislodgment or other dislocation of its products.

SafeSite® LED High Bay - IECEx/ATEX

Australia & Asia Order Codes

| Current Part Number | Historic Part Number | Fixture Lumens | Wattage | lm/W | Voltage | Colour Temperature (CCT) | Lens | Beam Distribution |
|--|----------------------|----------------|---------|------|--------------------------|--------------------------|----------------------|-------------------|
| IECEx Standard Cabled Models | | | | | | | | |
| HEA7MN2ADA-WNGN | HEA9MN4DN-BCG | 7,870 | 58 | 136 | 100-277 VAC, 120-250 VDC | Neutral White 4000K | Clear Tempered Glass | Medium |
| HEA7MN2BDA-WNGN | HEA9MN4GN-BCG | 10,570 | 77 | 137 | 100-277 VAC, 120-250 VDC | Neutral White 4000K | Clear Tempered Glass | Medium |
| HEA7MN2CDA-WNGN | HEA9MN4KN-BCG | 15,890 | 113 | 141 | 100-277 VAC, 120-250 VDC | Neutral White 4000K | Clear Tempered Glass | Medium |
| HEA7MN2EDA-WNGN | HEA9MN4PN-BCG | 20,810 | 148 | 141 | 100-277 VAC, 120-250 VDC | Neutral White 4000K | Clear Tempered Glass | Medium |
| IECEx Standard Junction Box Models | | | | | | | | |
| HWA7MN2ADA-NNGN | HEA9MN4DN-KCG | 7,870 | 58 | 136 | 100-277 VAC, 120-250 VDC | Neutral White 4000K | Clear Tempered Glass | Medium |
| HWA7MN2BDA-NNGN | HEA9MN4GN-KCG | 10,570 | 77 | 137 | 100-277 VAC, 120-250 VDC | Neutral White 4000K | Clear Tempered Glass | Medium |
| HWA7MN2CDA-NNGN | HEA9MN4KN-KCG | 15,890 | 113 | 141 | 100-277 VAC, 120-250 VDC | Neutral White 4000K | Clear Tempered Glass | Medium |
| HWA7MN2EDA-NNGN | HEA9MN4PN-KCG | 20,810 | 148 | 141 | 100-277 VAC, 120-250 VDC | Neutral White 4000K | Clear Tempered Glass | Medium |
| IECEx Hydrogen Area Junction Box Models | | | | | | | | |
| HEH9MN4KN-KCG | HEH9MC4PN-JNG | 16,000 | 144 | 111 | 100-277 VAC, 120-250 VDC | Neutral White 4000K | Clear Tempered Glass | Medium |
| HEH9MN4PN-KCG | HEH9MC4PN-JNG | 23,500 | 212 | 111 | 100-277 VAC, 120-250 VDC | Neutral White 4000K | Clear Tempered Glass | Medium |
| CID2 Standard Cabled Models | | | | | | | | |
| HED7MN2ADN-WNGN | HEDGMC4DN-SNG | 11,000 | 80 | 138 | 100-277 VAC, 120-250 VDC | Neutral White 4000K | Clear Tempered Glass | Medium |
| HED7MN2BDN-WNGN | HEDGMC4GN-SNG | 13,750 | 102 | 135 | 100-277 VAC, 120-250 VDC | Neutral White 4000K | Clear Tempered Glass | Medium |
| HED7MN2CDN-WNGN | HEDGMC4KN-SNG | 18,750 | 129 | 145 | 100-277 VAC, 120-250 VDC | Neutral White 4000K | Clear Tempered Glass | Medium |
| HED7MN2EDN-WNGN | HEDGMC4PN-SNG | 26,000 | 186 | 140 | 100-277 VAC, 120-250 VDC | Neutral White 4000K | Clear Tempered Glass | Medium |

All values typical unless otherwise stated (tolerance +/- 10%).

Part numbers listed in **bold** are typically available in stock.

Part numbers listed in the table above are neutral white. For cool white models, replace the 6th character with a **C**.

Part numbers listed in the table above are neutral white. For warm white models, replace the 6th character with a **W**.

Historical part number provided for reference only. For performance characteristics of historical product, please contact your local representative.



HBXW3-SSL-316M

- 316 stainless steel bracket



HBXW3

- Aluminium swivel bracket (included with fixture)



HBXSBDK

- Sand blast kit (dome lens)

HBXSBDL

- Sacrificial dome lens



HBXSBL

- Sand blast kit (flat lens)

HBXSBL

- Sacrificial flat lens

DISCLAIMER. All product information provided is, to the best of Dialight's knowledge, accurate as of the date of publication. When ordering, refer to www.dialight.com for current versions of: (a) relevant product documentation (including the relevant product data sheets); (b) Dialight terms and conditions of sale; and, (c) the relevant product warranty. To the extent that any contract is deemed formed between Dialight and the purchaser of Dialight products and/or an end-user, versions of documents available at www.dialight.com as at the date of sale shall be the versions incorporated therein. In the event of any discrepancy between this document or information provided at www.dialight.com, the latter shall prevail.

SafeSite® LED Floodlight - IECEx/ATEX - CE



Technical Specifications



Ratings and Certifications

- 10 year warranty
- CE / ENEC / RCM
- IP66
- IECEx / ATEX Zone 1, 21
- RoHS compliant
- IECEx / ATEX Zone 2, 22
- L70 >150,000 hours @ 25°C ambient

*All features not available on every model. Please refer to product part number pages for model specifics.

Specifications

| | | | |
|--------------------------|--|-----------------|--|
| Voltage options: | 100-277 VAC, 120-250 VDC | Housing: | Copper-free aluminum |
| | | Lens: | Tempered glass (optional fragment retention available) |
| Operating temp: | -40°C to +60°C | Finish: | Superior dual coat finish - Sealed polyester topcoat - Chemical-resistant epoxy primer |
| Power factor: | >0.9 | CRI: | 80 typical |
| THD: | <20% | CCT: | 5000K (cool white) |
| Surge protection: | Protection devices capable of handling up to 6kV. Tested for 6kV/2 ohm combination wave, as per IEEE C62.41, line-line and line-ground | | 4000K (neutral white) |
| | | | 2700K (warm white) |

Mechanical Information

| | |
|------------------------|---|
| Fixture weight: | 15.4 kg (34 lb) |
| Mounting: | 316 stainless steel mounting bracket (included) Secondary retention option available |
| Cable Entries: | (2) M25 x 1.5mm |
| Terminals: | 0,5-4mm ² x 6 |

Comparison

| | Warranty | L70 | T-Rating |
|-------------------------|----------|----------|----------|
| Dialight LED Floodlight | 10yr | >150,000 | T4 |
| Metal Halide | 1 | 15,000 | T2 |
| High Pressure Sodium | 1 | 20,000 | T2A |

Lumens

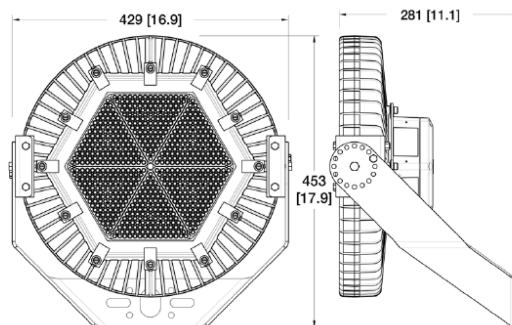
Wattage

lm/W

Mounting Heights

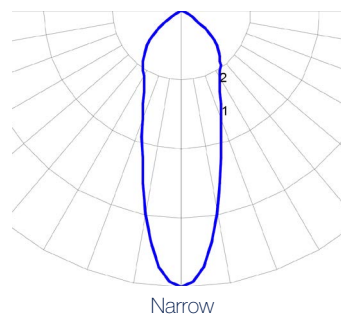
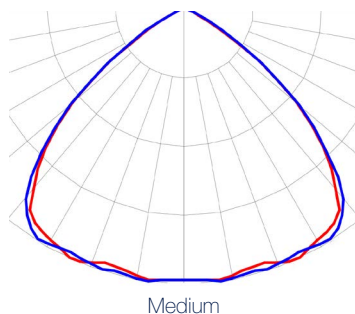
| | | | |
|--------|-----|-----|-----|
| 20,810 | 148 | 141 | 12m |
| 15,890 | 113 | 141 | 5m |

Dimensions



Dimension in mm (inches)

Beam Distribution



WARNING - INSTALLATION & SECONDARY RETENTION. Use of any Dialight products without proper installation (including secondary retention / netting) and periodic inspections could cause severe injury or death. Dialight recommends that all installations should use secondary retention / netting (appropriate to the installation environment) where applicable. It is the exclusive responsibility of the contractor, installer and/or end-user to: (a) determine the suitability of the product for its intended application; and, (b) ensure that the product is safely installed (with secondary retention / netting where appropriate) and in compliance with all applicable laws and regulations. To the extent permissible under applicable laws, Dialight disclaims all liability for personal injury and/or other damage resulting from any dislodgment or other dislocation of its products.

SafeSite® LED Floodlight - IECEx/ATEX - CE

Australia & Asia Order Codes

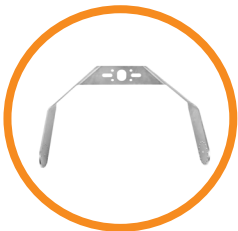
| Current Part Number | Historic Part Number | Fixture Lumens | Wattage | lm/W | Voltage | Colour Temperature (CCT) | Lens | Beam Distribution |
|------------------------|----------------------|----------------|---------|------|--------------------------|--------------------------|----------------------|-------------------|
| Standard Models | | | | | | | | |
| FSA7MN2CDV-NNGN | FLA9MN4KN-KNG | 15,890 | 113 | 141 | 100-277 VAC, 120-250 VDC | Neutral White 4000K | Clear Tempered Glass | Medium |
| FSA7NN2CDV-NNGN | FLA9NN4KN-KNG | 15,890 | 113 | 141 | 100-277 VAC, 120-250 VDC | Neutral White 4000K | Clear Tempered Glass | Narrow |
| FSA7MN2EDV-NNGN | FLA9MN4PN-KNG | 20,810 | 148 | 141 | 100-277 VAC, 120-250 VDC | Neutral White 4000K | Clear Tempered Glass | Medium |
| FSA7NN2EDV-NNGN | FLA9NN4PN-KNG | 20,810 | 148 | 141 | 100-277 VAC, 120-250 VDC | Neutral White 4000K | Clear Tempered Glass | Narrow |
| Hydrogen Models | | | | | | | | |
| FLH9MN4KN-KNG | FLH9MC4KN-KNG | 16,000 | 144 | 111 | 100-277 VAC | Neutral White 4000K | Clear Tempered Glass | Medium |
| FLH9NN4KN-KNG | FLH9NC4KN-KNG | 16,000 | 144 | 111 | 100-277 VAC | Neutral White 4000K | Clear Tempered Glass | Narrow |
| FLH9MN4PN-KNG | FLH9MC4PN-KNG | 23,500 | 212 | 111 | 100-277 VAC | Neutral White 4000K | Clear Tempered Glass | Medium |
| FLH9NN4PN-KNG | FLH9NC4PN-KNG | 23,500 | 212 | 111 | 100-277 VAC | Neutral White 4000K | Clear Tempered Glass | Narrow |

All values typical unless otherwise stated (tolerance +/- 10%).

Part numbers listed in **bold** are typically available in stock.

Part numbers listed in the table above are neutral white. For cool white models, replace the 6th character with a **C**.

Historical part number provided for reference only. For performance characteristics of historical product, please contact your local representative.



HBXW3-SSL-316FT

- 316 stainless steel forward throw bracket



HZXCB2

- Stainless steel safety cable kit



HBXSBDK

- Sand blast kit (dome lens)

HBXSBDL

- Sacrificial dome lens

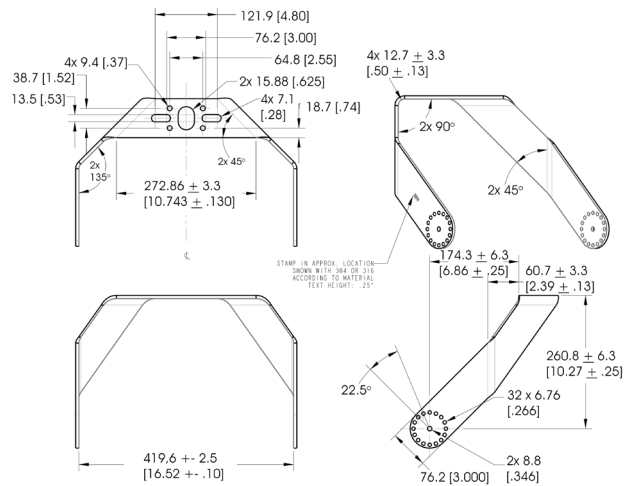


HBXSBK

- Sand blast kit (flat lens)

HBXSBL

- Sacrificial flat lens



Dimension in mm (inches)

SafeSite® LED Floodlight - UL

Technical Specifications



| Ratings and Certifications | | |
|----------------------------|----------------|---------------------------------------|
| • UL 844 | • CID2 A,B,C,D | • IK07 (glass) / IK10 (polycarbonate) |
| • UL 1598/A | • CID1 E,F,G | • 10 year warranty |
| • CSA C22.2 No.137-M81 | • CID2 F,G | • L70 rated for >100,000 hours |
| • IP66/67 | • CIII | |

*All features not available on every model. Please refer to product part number pages for model specifics.

| Temperature Ratings | |
|--|---|
| Ambient Temperature Range T4A Temperature Code | Ambient Temperature Range T5 Temperature Code |
| 15,000 - 13,500lm models | 11,500 - 10,750lm models |
| -40°F to +149°F (-40°C to +65°C) | -40°F to +149°F (-40°C to +65°C) |

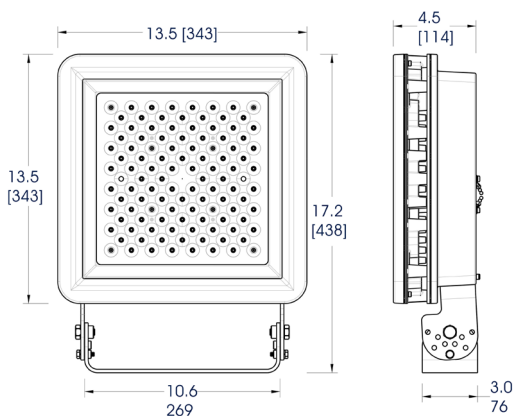
| Mechanical Information | |
|-------------------------|--|
| Fixture weight: | 30 lb (13.6 kg) |
| Shipping weight: | 34 lb (15.4 kg) |
| Mounting: | 304 Stainless steel trunnion mounting bracket included Secondary retention standard |
| EPA (Sq. ft) | 1.66 sq. ft. |
| Entry: | (2) 3/4" NPT cable entries |

| Specifications | | | |
|--------------------------|---|-----------------|---|
| Voltage options: | 100-277 VAC | Housing: | Copper-free aluminum |
| Operating temp: | -40°F to +149°F (-40°C to +65°C) | Lens: | Tempered glass Polycarbonate |
| Power factor: | >0.9 | CRI: | 75 |
| THD: | <20% | CCT: | 5000K (cool white) 4000K (neutral white) |
| Surge protection: | IEC 61000-4-5 6kV line-to-line , 6kV line-to-ground | | |

| | Comparison | | |
|-------------------------|------------|----------|----------|
| | Warranty | L70 | T-Rating |
| Dialight LED Floodlight | 10yr | >100,000 | T5 |
| Metal Halide | 1 | 6,000 | T2 |
| High Pressure Sodium | 1 | 20,000 | T2A |

| Lumens | Wattage | lm/W | Mounting Heights |
|--------|---------|------|------------------|
| 15,000 | 135 | 111 | |
| 14,750 | 135 | 109 | |
| 13,500 | 140 | 96 | |
| 11,500 | 106 | 108 | |
| 11,250 | 106 | 106 | |
| 11,000 | 106 | 104 | |
| 10,750 | 106 | 101 | |
| 10,500 | 106 | 99 | |

Dimensions



Dimension in inches [mm]

WARNING - INSTALLATION & SECONDARY RETENTION. Use of any Dialight products without proper installation (including secondary retention / netting) and periodic inspections could cause severe injury or death. Dialight recommends that all installations should use secondary retention / netting (appropriate to the installation environment) where applicable. It is the exclusive responsibility of the contractor, installer and/or end-user to: (a) determine the suitability of the product for its intended application; and, (b) ensure that the product is safely installed (with secondary retention / netting where appropriate) and in compliance with all applicable laws and regulations. To the extent permissible under applicable laws, Dialight disclaims all liability for personal injury and/or other damage resulting from any dislodgment or other dislocation of its products.

SafeSite® LED Floodlight - UL

Asia Order Codes

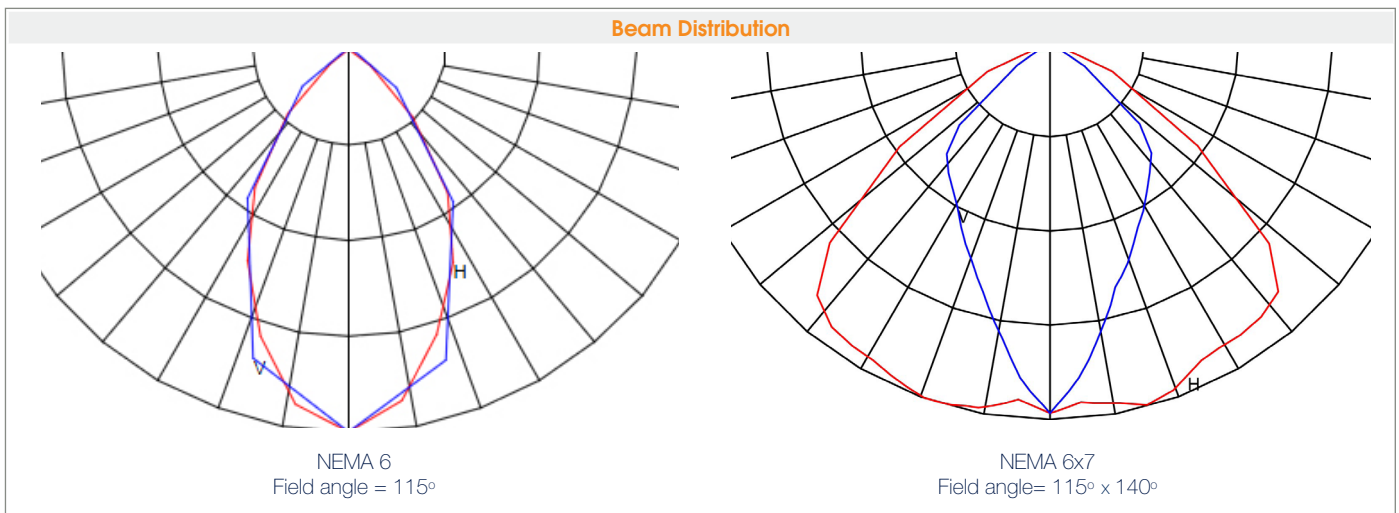
| Current Part Number | Historic Part Number | Fixture Lumens | Wattage | lm/W | Voltage | Colour Temperature (CCT) | Lens | Beam Distribution |
|------------------------|----------------------|----------------|---------|------|-------------|--------------------------|----------------|------------------------|
| Class I, Div. 2 Models | | | | | | | | |
| FLD466NN4NG | FLD444NC4NG | 15,000 | 135 | 111 | 100-277 VAC | 4000K (neutral white) | Tempered glass | NEMA 6 (115°) |
| FLD467NN4NG | FLD466NC4NG | 14,750 | 135 | 109 | 100-277 VAC | 4000K (neutral white) | Tempered glass | NEMA 6x7 (115° x 140°) |

All values typical unless otherwise stated (tolerance +/- 10%).

Part numbers listed in **bold** are typically available in stock.

Part numbers listed in the table above are neutral white. For cool white models, replace the 8th character with a **C**.

Historical part number provided for reference only. For performance characteristics of historical product, please contact your local representative.



| | | |
|--|---|---|
| <p>FLX-3RPA-20DB</p> <ul style="list-style-type: none"> Reducer for 3" OD round pole top to 2-3/8" light mount | <p>HZXCBL2</p> <ul style="list-style-type: none"> Stainless steel safety cable kit | <p>FLX-4SPA-20DB</p> <ul style="list-style-type: none"> Internal tenon adapter for 4" square pole top to 2-3/8" light mount |
| <p>FLX-4RPA-20DB</p> <ul style="list-style-type: none"> Reducer for 4" OD round pole top to 2-3/8" light mount | <p>FLX-5SPA-20DB</p> <ul style="list-style-type: none"> 5" square pole top to 2-3/8" light mount | <p>FLX-6SPA-20DB</p> <ul style="list-style-type: none"> 6" square pole top to 2-3/8" light mount |
| <p>FLX-1TPT-20DB</p> <ul style="list-style-type: none"> Tenon pole topper, 2-3/8" mount | <p>FLX-1RAB-20DB</p> <ul style="list-style-type: none"> Tenon pole topper, 2-3/8" mount | <p>FLX-2RSR-20DB</p> <ul style="list-style-type: none"> Round square round bracket for 2 lights, 2-3/8" mount, 21" spacing |
| <p>FLX-2LBH-20DB</p> <ul style="list-style-type: none"> Bull horn for 2 lights, 2-3/8" mount, 21" spacing | <p>FLX-3LBH-20DB</p> <ul style="list-style-type: none"> Bull horn for 3 lights, 2-3/8" mount, 21" spacing | <p>FLX-3RSR-20DB</p> <ul style="list-style-type: none"> Round square round bracket for 3 lights, 2-3/8" mount, 21" spacing |
| <p>FLX-4LBH-20DB</p> <ul style="list-style-type: none"> Bull horn for 4 lights, 2-3/8" mount, 21" spacing | <p>FLX-4RBH-20DB</p> <ul style="list-style-type: none"> Bull horn for 4 lights in star configuration, 2-3/8" mount, 21" spacing | <p>FLX-4RSR-20DB</p> <ul style="list-style-type: none"> Round square round bracket for 4 lights, 2-3/8" mount, 21" spacing |

DISCLAIMER. All product information provided is, to the best of Dialight's knowledge, accurate as of the date of publication. When ordering, refer to www.dialight.com for current versions of: (a) relevant product documentation (including the relevant product data sheets); (b) Dialight terms and conditions of sale; and, (c) the relevant product warranty. To the extent that any contract is deemed formed between Dialight and the purchaser of Dialight products and/or an end-user, versions of documents available at www.dialight.com as at the date of sale shall be the versions incorporated therein. In the event of any discrepancy between this document or information provided at www.dialight.com, the latter shall prevail.

SafeSite® LED Area Light - IECEx/ATEX

Technical Specifications



| Ratings and Certifications | |
|--|----------------------------|
| • CE (EN61547:2009, EN55015:2006) | • ATEX / IECEx Zones 1, 21 |
| • Ex II 2GD Ex d IIC T4 Gb (Ta= -40°C to +65°C) | • ATEX / IECEx Zones 2, 22 |
| • Ex t IIC T135°C Db IP 6X (Ta = -40°C to +65°C) | • IP66 |
| • Ex II 2GD Ex d IIC T5 Gb (Ta= -40°C to +42°C) | • IK08 |
| • Ex t IIC T100°C Db IP 6X (Ta = -40°C to +42°C) | • 5 year warranty |
| • L70 rated for 150,000+ hours @ 25°C ambient | |
| • ABS Design Assessed #13-HS1043210C-PDA | |

*All features not available on every model. Please refer to product part number pages for model specifics.

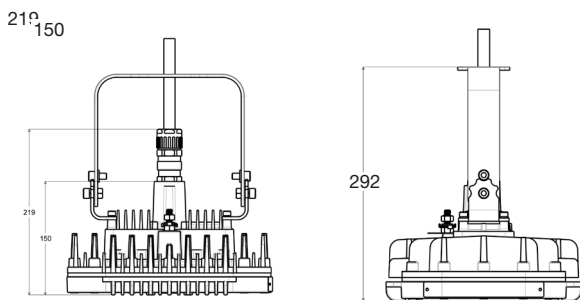
| Mechanical Information | |
|-------------------------|--|
| Fixture weight: | Zone 1, 21 - 9.53 kg (21 lbs) |
| | Junction Box - 9.07 kg (20 lbs) |
| Shipping weight: | Zone 1, 21 - 10.43 kg (23 lbs) |
| | Junction Box - 9.98 kg (22 lbs) |
| Mounting: | Supplied with stirrup mounting bracket |
| | Secondary retention standard |
| Cabling: | Zone 1, 21 - Factory installed 3 meter SWB cable |
| | Junction Box - Factory installed junction box |

| Specifications | | | |
|--------------------------|--|-----------------|-----------------------|
| Voltage options: | 100 - 277V AC, 50/60 Hz | Housing: | Copper free aluminium |
| Operating temp: | -40°C to +65°C | Lens: | Toughened glass |
| Power factor: | >0.9 | CRI: | 75 |
| THD: | <20% | CCT: | 5000K (cool white) |
| Surge protection: | 1 kV line to line, 2 kV line to ground | | 4000K (neutral white) |

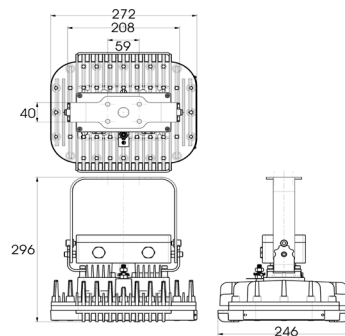
| | Comparison | | |
|----------------------|------------|----------|----------|
| | Warranty | L70 | T-Rating |
| Dialight Area Light | 5yr | >150,000 | T5 |
| Metal Halide | 1 | 15,000 | T3 |
| High Pressure Sodium | 1 | 20,000 | T2A |

| Lumens | Wattage | Lm/W | Mounting Heights |
|--------|---------|------|------------------|
| 6,000 | 58 | 103 | 6m |
| | | | ↕ |
| 2,000 | 22 | 91 | 3m |

Dimensions



Zone 1, 21



Junction Box

Dimension are in mm

WARNING - INSTALLATION & SECONDARY RETENTION. Use of any Dialight products without proper installation (including secondary retention / netting) and periodic inspections could cause severe injury or death. Dialight recommends that all installations should use secondary retention / netting (appropriate to the installation environment) where applicable. It is the exclusive responsibility of the contractor, installer and/or end-user to: (a) determine the suitability of the product for its intended application; and, (b) ensure that the product is safely installed (with secondary retention / netting where appropriate) and in compliance with all applicable laws and regulations. To the extent permissible under applicable laws, Dialight disclaims all liability for personal injury and/or other damage resulting from any dislodgment or other dislocation of its products.

SafeSite® LED Area Light - IECEx/ATEX

Australia & Asia Order Codes

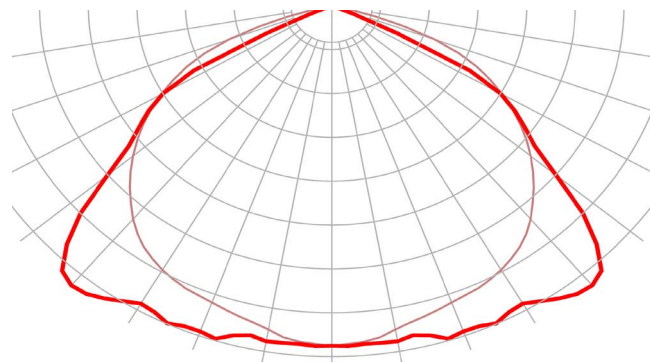
| Current Part Number | Historic Part Number | Fixture Lumens | Wattage | lm/W | Voltage | Colour Temperature (CCT) | Lens | Beam Distribution | Mounting Options |
|--|----------------------|----------------|---------|------|-------------|--------------------------|-----------------|-------------------|------------------|
| IECEX / ATEX Zone 1, 21 | | | | | | | | | |
| | HZA9C2N | 6,000 | 57 | 105 | 100-277 VAC | 5000K (cool white) | Toughened glass | 360° | Stirrup bracket |
| IECEX / ATEX Zone 1, 21 with Junction Box | | | | | | | | | |
| | HZJA5C2N | 5,100 | 47 | 109 | 100-277 VAC | 5000K (cool white) | Toughened glass | 360° | Junction box |
| | HZJA9C2N | 6,000 | 57 | 105 | 100-277 VAC | 5000K (cool white) | Tempered glass | 360° | Junction box |

All values typical unless otherwise stated (tolerance +/- 10%).

Part numbers listed in **bold** are typically available in stock.

Historical part number provided for reference only. For performance characteristics of historical product, please contact your local representative.

Beam Distribution



360° Pattern

SafeSite® LED Area Light - UL 844 Class I, Div 2

Technical Specifications



| Ratings and Certifications | |
|----------------------------|---|
| • | 10 year warranty |
| • | L70 >300,000 hours @ 65°C ambient |
| • | UL |
| • | IP66 / 67 / 69 |
| • | IK07 (glass lens) / IK10 (polycarbonate lens) |
| • | 0-10 V dimming as standard |

*All features not available on every model. Please refer to product part number pages for model specifics.

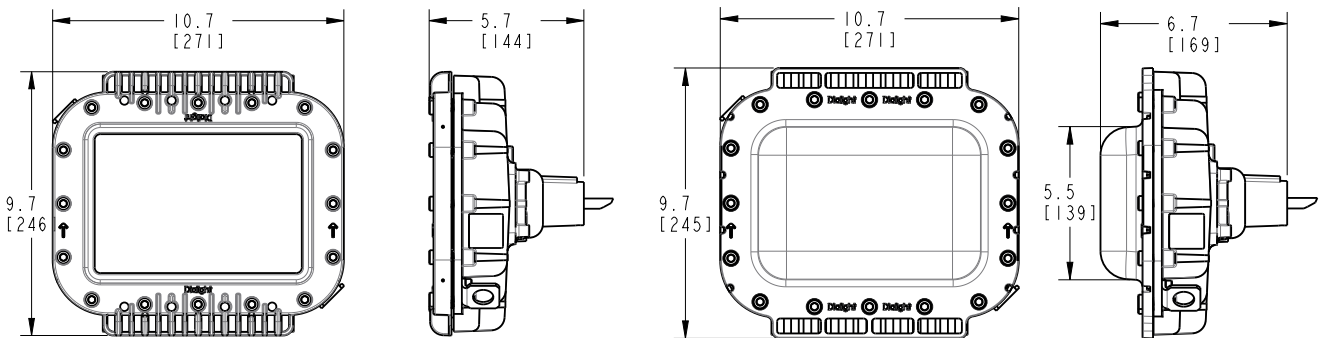
| Mechanical Information | |
|-------------------------|---|
| Fixture weight: | |
| Glass: | 5.4 kg (12 lb) |
| Polycarbonate: | 4.5 kg (10 lb) |
| Shipping weight: | |
| Glass: | 6.3 kg (14 lb) |
| Polycarbonate: | 5.4 kg (12 lb) |
| Mounting: | Stainless steel, wall and pole mounting bracket options |
| | Secondary retention standard |

| Specifications | | | |
|--------------------------|--------------------------------------|-----------------|---|
| Voltage options: | 100-277 VAC 50/60Hz, 120-250 VDC | Housing: | Copper-free aluminium |
| Operating temp: | -40°C to +65°C | Lens: | Hard-coated polycarbonate Tempered glass |
| Power factor: | >0.9 | Finish: | Superior dual coat finish - Sealed polyester topcoat |
| THD: | <20% | CRI: | 80 |
| Surge protection: | 6kV, 2 Ohm line-line and line-ground | CCT: | 5000K (cool white) |
| | | | 4000K (neutral white) |
| | | | 2700K (warm white) |

| Comparison | | |
|-------------------------|----------|----------|
| | Warranty | L70 |
| Dialight LED Area Light | 10yr | >300,000 |
| Metal Halide | 1 | 15,000 |
| High Pressure Sodium | 1 | 20,000 |

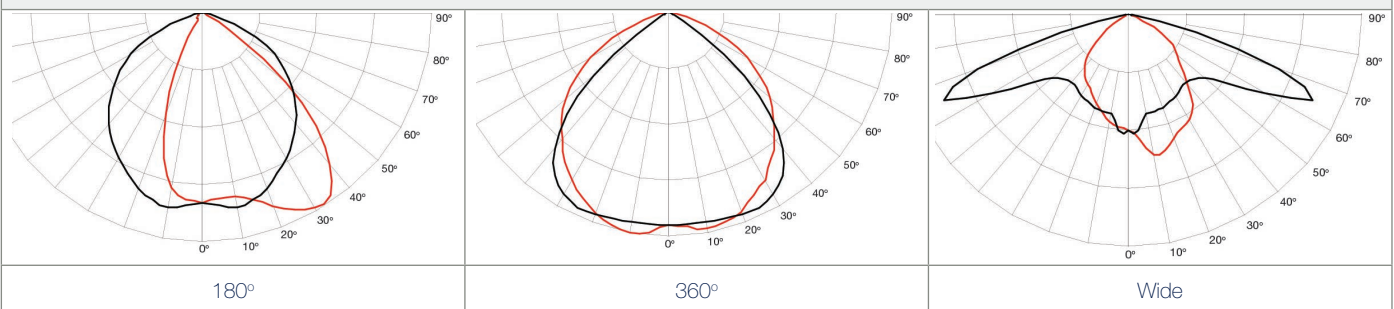
| Lumens | Wattage | lm/W | Mounting Heights |
|--------|---------|------|------------------|
| 9,000 | 66 | 136 | 10m |
| 5,700 | 40 | 143 | ↕ |
| 4,200 | 30 | 140 | 3m |

Dimensions



Dimension in inches [mm]

Beam Distribution



WARNING - INSTALLATION & SECONDARY RETENTION. Use of any Dialight products without proper installation (including secondary retention / netting) and periodic inspections could cause severe injury or death. Dialight recommends that all installations should use secondary retention / netting (appropriate to the installation environment) where applicable. It is the exclusive responsibility of the contractor, installer and/or end-user to: (a) determine the suitability of the product for its intended application; and, (b) ensure that the product is safely installed (with secondary retention / netting where appropriate) and in compliance with all applicable laws and regulations. To the extent permissible under applicable laws, Dialight disclaims all liability for personal injury and/or other damage resulting from any dislodgment or other dislocation of its products.

SafeSite® LED Area Light - UL 844 Class I, Div 2

Asia Order Codes

| Current Part Number | Historic Part Number | Fixture Lumens | Wattage | lm/W | Voltage | Colour Temperature (CCT) | Lens | Beam Distribution | Mounting Options |
|------------------------|----------------------|----------------|---------|------|--------------------------|--------------------------|----------------|-------------------|--|
| Class I, Div. 1 | | | | | | | | | |
| ALC7BN26DBWNGN | HZC9N2NDR | 5,300 | 40 | 133 | 100-277 VAC, 120-250 VDC | 4000K (neutral white) | Tempered glass | 360° | 316 stainless steel adjustable bracket |
| ALC7BC26DBWNGN | HZC9N2NDR | 5,400 | 40 | 135 | 100-277 VAC, 120-250 VDC | 5000K (cool white) | Tempered glass | 360° | 316 stainless steel adjustable bracket |
| Class I, Div. 2 | | | | | | | | | |
| ALD5BN26DNWNGN | HZD9N2N | 5,100 | 40 | 127 | 100-277 VAC, 120-250 VDC | 4000K (neutral white) | Polycarbonate | 360° | 3/4" NPT |
| ALD7WC27DNWNGN | | 7,300 | 64 | 114 | 100-277 VAC, 120-250 VDC | 5000K (cool white) | Tempered glass | Wide | 3/4" NPT |
| ALD7BC29DNWNGN | | 9,000 | 66 | 136 | 100-277 VAC, 120-250 VDC | 5000K (cool white) | Tempered glass | 360° | 3/4" NPT |
| ALD5AN26DCNNGN | HZD8N2NC | 4,900 | 40 | 122 | 100-277 VAC, 120-250 VDC | 4000K (neutral white) | Tempered glass | 180° | Crous Hinds - Champ adapter |
| Class 2, Div. 1 | | | | | | | | | |
| ALF5BN26DANNGN | HZF5C2NA, HZF9C2NA | 5,100 | 40 | 127 | 100-277 VAC, 120-250 VDC | 5000K (cool white) | Polycarbonate | 360° | Appleton Mercmaster III adapter |

All values typical unless otherwise stated (tolerance +/- 10%).

Part numbers listed in **bold** are typically available in stock.

Part numbers listed in the table above are neutral white. For cool white models, replace the 6th character with a **C**.

Historical part number provided for reference only. For performance characteristics of historical product, please contact your local representative.



Certified to: UL 50E • CSA C22.2 No. 94.2-07

HZXSTAN100S

- 1.00" (1.315" Pole OD) slip-fit stanchion mount

HZXSTAN125S

- 1.25" (1.660" Pole OD) slip-fit stanchion mount

HZXSTAN052S

- 52mm slip-fit stanchion mount

HZXSTAN200S

- 2.00" (2.375" Pole OD) slip-fit stanchion mount

HZXSTAN100T

- 1.00" (1.315" Pole OD) NPT-threaded stanchion mount

HZXSTAN125T

- 1.25" (1.660" Pole OD) NPT-threaded stanchion mount

HZXSTAN150T

- 1.50" (1.900" Pole OD) NPT-threaded stanchion mount

HZXSTAN200T

- 2.00" (2.375" Pole OD) NPT-threaded stanchion mount



HZXW3

- 316 stainless steel bracket

HZXW7

- Aluminum bracket



HZXSAFECBLS

- Safety cable kit



HZXW4

- 316 stainless steel bracket with 1.5" pipe clamp

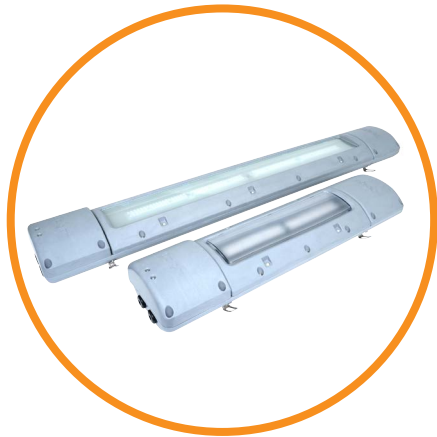
HZXW8

- Aluminum bracket with 1.5" pipe clamp

DISCLAIMER. All product information provided is, to the best of Dialight's knowledge, accurate as of the date of publication. When ordering, refer to www.dialight.com for current versions of: (a) relevant product documentation (including the relevant product data sheets); (b) Dialight terms and conditions of sale; and, (c) the relevant product warranty. To the extent that any contract is deemed formed between Dialight and the purchaser of Dialight products and/or an end-user, versions of documents available at www.dialight.com as at the date of sale shall be the versions incorporated therein. In the event of any discrepancy between this document or information provided at www.dialight.com, the latter shall prevail.

SafeSite® LED GRP Linear

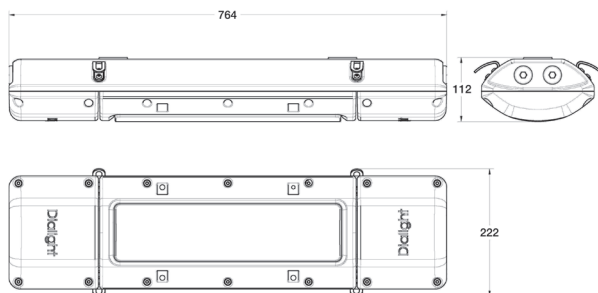
IECEX



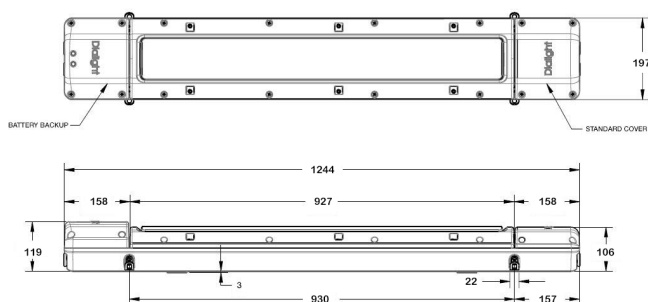
Certifications & Ratings

- 10 year warranty
- CE
- RCM
- IP66/67
- IECEx Zone 1, 2, 21 & 22
- IECEx Zones 2, 21 & 22
 - Ex II 2 GD
 - Ex eb mb op is IIC T4 Gb
 - Ex tb op is IIIC T130°C Db
 - Certification numbers:
 - Sira 19ATEX4226X
 - IECEx SIR 19.0068X
 - Ex II 3 GD
 - Ex ec IIC T4 Gc
 - Ex tc IIIC T130°C Dc
 - IECEx SIR 19.0069X
 - Ex II 2 D
 - Ex tb op is IIIC T130°C Db
 - IECEx SIR 19.0069X
- DALI 1.0/2.0 as standard
- Up to 2,875 & 5,750 (nominal) lumen outputs

764 mm Model



1244 mm Model



Dimensions in mm

Mechanical Information:

Fixture weights:

Standard models: 764 mm: 7.7 kg
1244 mm: 10.9 kg

Emergency models: 764 mm: 8.6 kg
1244 mm: 11.8 kg

Mounting:

(2) M8 fixing points
Other mounting options available, see page 5 for details

Cable entry:

(2) M25 cable entries at both ends, through wired as standard

Safety Retention:

(4) 316 Stainless steel tabs as standard

Electrical Specifications:

Operating voltage:

Standard:
100-277 VAC, 50/60Hz
120-250 VDC

Emergency:
230/240 VAC, 50Hz
110/120 VAC, 60Hz (Zone 1 only)

Operating temperature:

Standard models: -40°C to +65°C
Emergency models: -20°C to +50°C

Harmonics & emissions:

IEC 55015 (conducted & radiated)
IEC 61000-3-2
IEC 61000-3-3
IEC 61547

Transient protection:

IEC 61000-4-5
6kV line-to-line & line-to-ground

Power factor:

> 0.9

Emergency Models:

Lumen output in EM mode: 10-25% of initial light output (depending on selected duration and length of fitting)

Expected battery life*: 4 years

Battery duration*:

90 min. (standard)
60/180 min. (optional, field-configurable)

Materials:

Housing:

Glass-reinforced polyester

Lens:

- Textured polycarbonate convex lens (standard)
- Textured flat glass lens (optional)

Photometric Information:

CRI:

80 minimum

CCT:

5000K (cool white)
4000K (neutral white)
Green (Shower-Safe/Eye-Wash station model)
Amber (Wildlife-Friendly)

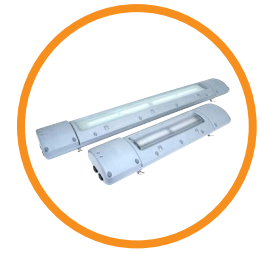
All values typical unless otherwise stated (tolerance +/- 10%)

* @ 25°C ambient

WARNING - INSTALLATION & SECONDARY RETENTION. Use of any Dialight products without proper installation (including secondary retention / netting) and periodic inspections could cause severe injury or death. Dialight recommends that all installations should use secondary retention / netting (appropriate to the installation environment) where applicable. It is the exclusive responsibility of the contractor, installer and/or end-user to: (a) determine the suitability of the product for its intended application; and, (b) ensure that the product is safely installed (with secondary retention / netting where appropriate) and in compliance with all applicable laws and regulations. To the extent permissible under applicable laws, Dialight disclaims all liability for personal injury and/or other damage resulting from any dislodgment or other dislocation of its products.

Ordering Information

SafeSite® LED GRP Linear - IECEx



| Part Number | Fixture Lumens (Nominal) | Wattage | lm/W | Voltage | CCT | Lens |
|---|--------------------------|---------|------|-------------------------|-----------------------|------------------------|
| Zone 1, 2, 21 & 22 Models (Standard) | | | | | | |
| P2ABMC23A54WGN | 2,875 | 25 | 115 | 100-277 VAC/120-250 VDC | 5000K (cool white) | Textured Polycarbonate |
| P4ABMC26A54WGN | 5,750 | 47 | 123 | 100-277 VAC/120-250 VDC | 5000K (cool white) | Textured Polycarbonate |
| P2ABMN23A54WGN | 2,785 | 25 | 111 | 100-277 VAC/120-250 VDC | 4000K (neutral white) | Textured Polycarbonate |
| P4ABMN26A54WGN | 5,575 | 47 | 119 | 100-277 VAC/120-250 VDC | 4000K (neutral white) | Textured Polycarbonate |
| Zone 1, 2, 21 & 22 Models (Emergency Backup) | | | | | | |
| P2ABMCG3A54WGF | 2,875 | 29 | 99 | 230/240 VAC | 5000K (cool white) | Textured Polycarbonate |
| P4ABMCG6A54WGF | 5,750 | 51 | 113 | 230/240 VAC | 5000K (cool white) | Textured Polycarbonate |
| P2ABMC13A54WGF | 2,875 | 29 | 99 | 110/120 VAC | 5000K (cool white) | Textured Polycarbonate |
| P4ABMC16A54WGF | 5,750 | 51 | 113 | 110/120 VAC | 5000K (cool white) | Textured Polycarbonate |
| P2ABMNG3A54WGF | 2,785 | 29 | 96 | 230/240 VAC | 4000K (neutral white) | Textured Polycarbonate |
| P4ABMNG6A54WGF | 5,575 | 51 | 109 | 230/240 VAC | 4000K (neutral white) | Textured Polycarbonate |
| P2ABMN13A54WGF | 2,785 | 29 | 96 | 110/120 VAC | 4000K (neutral white) | Textured Polycarbonate |
| P4ABMN16A54WGF | 5,575 | 51 | 109 | 110/120 VAC | 4000K (neutral white) | Textured Polycarbonate |
| Zone 2, 21 & 22 Models (Standard) | | | | | | |
| P2BBMC23A5NWGN | 2,875 | 25 | 115 | 100-277 VAC/120-250 VDC | 5000K (cool white) | Textured Polycarbonate |
| P4BBMC26A5NWGN | 5,750 | 47 | 123 | 100-277 VAC/120-250 VDC | 5000K (cool white) | Textured Polycarbonate |
| P2BBMN23A5NWGN | 2,785 | 25 | 111 | 100-277 VAC/120-250 VDC | 4000K (neutral white) | Textured Polycarbonate |
| P4BBMN26A5NWGN | 5,575 | 47 | 119 | 100-277 VAC/120-250 VDC | 4000K (neutral white) | Textured Polycarbonate |
| Zone 2, 21 & 22 Models (Emergency Backup) | | | | | | |
| P2BBMC23A5NWGF | 2,875 | 29 | 99 | 230/240 VAC | 5000K (cool white) | Textured Polycarbonate |
| P4BBMC26A5NWGF | 5,750 | 51 | 113 | 230/240 VAC | 5000K (cool white) | Textured Polycarbonate |
| P2BBMN23A5NWGF | 2,785 | 29 | 96 | 230/240 VAC | 4000K (neutral white) | Textured Polycarbonate |
| P4BBMN26A5NWGF | 5,575 | 51 | 109 | 230/240 VAC | 4000K (neutral white) | Textured Polycarbonate |

All values typical unless otherwise stated (tolerance +/- 10%).

DISCLAIMER. All product information provided is, to the best of Dialight's knowledge, accurate as of the date of publication. When ordering, refer to www.dialight.com for current versions of: (a) relevant product documentation (including the relevant product data sheets); (b) Dialight terms and conditions of sale; and, (c) the relevant product warranty. To the extent that any contract is deemed formed between Dialight and the purchaser of Dialight products and/or an end-user, versions of documents available at www.dialight.com as at the date of sale shall be the versions incorporated therein. In the event of any discrepancy between this document or information provided at www.dialight.com, the latter shall prevail.

Ordering Information

SafeSite® LED GRP Linear - IECEx



| Part Number | Fixture Lumens (Nominal) | Wattage | lm/W | Voltage | CCT | Lens |
|---|--------------------------|---------|------|-------------------------|-------|------------------------|
| Shower-Safe/Eye-Wash Station Version - Zone 1, 2, 21 & 22 (Emergency Backup) | | | | | | |
| P2ABMGG3A54WGF | | 29 | | 230/240 VAC | Green | Textured Polycarbonate |
| P4ABMGG6A54WGF | | 51 | | 230/240 VAC | Green | Textured Polycarbonate |
| P2ABMG13A54WGF | | 29 | | 110/120 VAC | Green | Textured Polycarbonate |
| P4ABMG16A54WGF | | 51 | | 110/120 VAC | Green | Textured Polycarbonate |
| Shower-Safe/Eye-Wash Station Version - Zone 2, 21 & 22 (Emergency Backup) | | | | | | |
| P2BBMG23A5NWGF | | 29 | | 230/240 VAC | Green | Textured Polycarbonate |
| P4BBMG26A5NWGF | | 51 | | 230/240 VAC | Green | Textured Polycarbonate |
| Wildlife Friendly - Zone 1, 2, 21 & 22 (Standard) | | | | | | |
| P2ABMA23A54WGN | | 25 | | 100-277 VAC/120-250 VDC | Amber | Textured Polycarbonate |
| P4ABMA26A54WGN | | 47 | | 100-277 VAC/120-250 VDC | Amber | Textured Polycarbonate |
| Wildlife Friendly - Zone 1, 2, 21 & 22 (Emergency Backup) | | | | | | |
| P2ABMAG3A54WGF | | 29 | | 230/240 VAC | Amber | Textured Polycarbonate |
| P4ABMAG6A54WGF | | 51 | | 230/240 VAC | Amber | Textured Polycarbonate |
| P2ABMA13A54WGF | | 29 | | 110/120 VAC | Amber | Textured Polycarbonate |
| P4ABMA16A54WGF | | 51 | | 110/120 VAC | Amber | Textured Polycarbonate |
| Wildlife Friendly - Zone 2, 21 & 22 (Standard) | | | | | | |
| P2BBMA23A5NWGN | | 25 | | 100-277 VAC/120-250 VDC | Amber | Textured Polycarbonate |
| P4BBMA26A5NWGN | | 47 | | 100-277 VAC/120-250 VDC | Amber | Textured Polycarbonate |
| Wildlife Friendly - Zone 2, 21 & 22 (Emergency Backup) | | | | | | |
| P2BBMA23A5NWGF | | 29 | | 230/240 VAC | Amber | Textured Polycarbonate |
| P4BBMA26A5NWGF | | 51 | | 230/240 VAC | Amber | Textured Polycarbonate |

All values typical unless otherwise stated (tolerance +/- 10%).

DISCLAIMER. All product information provided is, to the best of Dialight’s knowledge, accurate as of the date of publication. When ordering, refer to www.dialight.com for current versions of: (a) relevant product documentation (including the relevant product data sheets); (b) Dialight terms and conditions of sale; and, (c) the relevant product warranty. To the extent that any contract is deemed formed between Dialight and the purchaser of Dialight products and/or an end-user, versions of documents available at www.dialight.com as at the date of sale shall be the versions incorporated therein. In the event of any discrepancy between this document or information provided at www.dialight.com, the latter shall prevail.

Accessories



ELX-CMB-SS

- 316 Marine Grade stainless steel ceiling mount kit



ELX-PC-SS-42

- 40–45mm Ø 316 Marine Grade stainless steel pole clamp



ELX-WMB-SS-45

- 45° 316 Marine Grade stainless steel wall mount kit



HBXCAB48

- 1.2m (48") long stainless steel safety rope (for use with safety bracket)

ELX-PC-SS-47

- 47–51mm Ø 316 Marine Grade stainless steel pole clamp

ELX-WMB-SS-60

- 60° 316 Marine Grade stainless steel wall mount kit

ELX-PC-SS-54

- 54–57mm Ø 316 Marine Grade stainless steel pole clamp

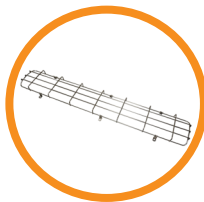
ELX-PC-SS-59

- 59–62mm Ø 316 Marine Grade stainless steel pole clamp



ELX-EYE-SS

- 316 Marine Grade stainless steel eyelet kit



RLX-WG-2

- Wire guard for 764mm model

RLX-WG-4

- Wire guard for 1244mm model



RLX-BATT-KIT-2

- 764mm replacement battery kit



RL-WIRELESS-2*

- Wireless controls kit for 764mm models (Zone 2 only)

RLX-BATT-KIT-4

- 1244mm replacement battery kit

RL-WIRELESS-4*

- Wireless controls kit for 1244mm models (Zone 2 only)

*Must be fitted to GRP Linear by authorized Dialight personnel prior to delivery

DISCLAIMER. All product information provided is, to the best of Dialight's knowledge, accurate as of the date of publication. When ordering, refer to www.dialight.com for current versions of: (a) relevant product documentation (including the relevant product data sheets); (b) Dialight terms and conditions of sale; and, (c) the relevant product warranty. To the extent that any contract is deemed formed between Dialight and the purchaser of Dialight products and/or an end-user, versions of documents available at www.dialight.com as at the date of sale shall be the versions incorporated therein. In the event of any discrepancy between this document or information provided at www.dialight.com, the latter shall prevail.

SafeSite® LED Linear - UL

Technical Specifications



| Ratings and Certifications | |
|--------------------------------|-------------------------|
| • UL 1598/A | • CSA C22.2 No. 137-M81 |
| • UL 844 | • CID2 A,B,C,D |
| • IP66/67 | • CID1 E,F,G |
| • NEMA 4X | • CID2 F,G |
| • 5 year warranty | • CIII |
| • L70 rated for >100,000 hours | |

*All features not available on every model. Please refer to product part number pages for model specifics.

| Mechanical Information | |
|-------------------------|--|
| Fixture weight: | |
| 4' model: | 10 lb (4.5 kg) |
| 2' model: | 7 lb (3.2 kg) |
| Shipping weight: | |
| 4' model: | 11 lb (5.0 kg) |
| 2' model: | 8 lb (3.6 kg) |
| Mounting: | |
| | (4) 3/4" NPT openings |
| | Optional swivel bracket - LPXW4 |
| | Optional low profile bracket - LPXW4LP |
| | Secondary retention option available |

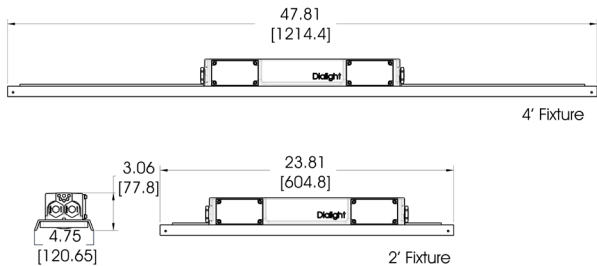
| Temperature Ratings | |
|---|--|
| Ambient Temperature Range T4A Temperature Code | Ambient Temperature Range T5 Temperature Code |
| -40°F to +149°F (-40°C to +65°C) | -40°F to +113°F (-40°C to +45°C) |

| Specifications | | | |
|--------------------------|--------------------------------------|-----------------|-----------------------|
| Voltage: | 100-277 VAC | Housing: | Copper-free aluminum |
| Operating temp: | -40°F to +149°F (-40°C to +65°C) | Lens: | Polycarbonate |
| Power factor: | >0.9 | CRI: | 75 / 80 |
| THD: | <20% | CCT: | 5000K (cool white) |
| Surge protection: | 4kV line-to-line, 4kV line-to-ground | | 4000K (neutral white) |

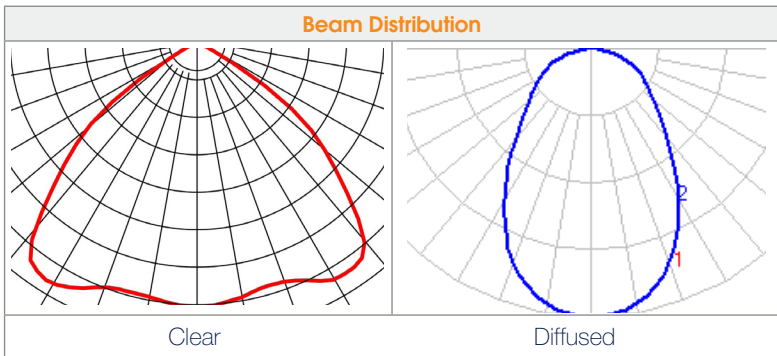
| Comparison | | | |
|----------------------|----------|----------|----------|
| | Warranty | L70 | T-Rating |
| Dialight LED Linear | 5yr | >100,000 | T5 |
| Metal Halide | 1 | 6,000 | T2 |
| High Pressure Sodium | 1 | 20,000 | T2A |
| Fluorescent | 1 | 24,000 | T3 |

| Lumens | Wattage | lm/W | Mounting Heights |
|--------|---------|------|------------------|
| 7,250 | 66 | 110 | 6m |
| 6,700 | 66 | 102 | ↑ ↓ |
| 3,600 | 33 | 109 | |
| 3,300 | 33 | 100 | 3m |

Dimensions



Dimension in inches [mm]



WARNING - INSTALLATION & SECONDARY RETENTION. Use of any Dialight products without proper installation (including secondary retention / netting) and periodic inspections could cause severe injury or death. Dialight recommends that all installations should use secondary retention / netting (appropriate to the installation environment) where applicable. It is the exclusive responsibility of the contractor, installer and/or end-user to: (a) determine the suitability of the product for its intended application; and, (b) ensure that the product is safely installed (with secondary retention / netting where appropriate) and in compliance with all applicable laws and regulations. To the extent permissible under applicable laws, Dialight disclaims all liability for personal injury and/or other damage resulting from any dislodgment or other dislocation of its products.

SafeSite® LED Linear - UL

Australia & Asia Order Codes

| Current Part Number | Historic Part Number | Fixture Lumens | Wattage | lm/W | Voltage | Colour Temperature (CCT) | Lens | Beam Distribution |
|---------------------|----------------------|----------------|---------|------|-------------|--------------------------|------------------------|-------------------|
| LPD3N4B2W | LPD3C4B2W | 3,300 | 33 | 100 | 100-277 VAC | 4000K (neutral white) | Diffused polycarbonate | Diffused |
| LPD3N4H2W | LPD3C4H2W | 6,700 | 66 | 102 | 100-277 VAC | 4000K (neutral white) | Diffused polycarbonate | Diffused |

All values typical unless otherwise stated (tolerance +/- 10%).

Part numbers listed in **bold** are typically available in stock.

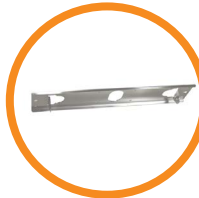
Part numbers listed in the table above are neutral white. For cool white models, replace the 6th character with a **C**.

Historical part number provided for reference only. For performance characteristics of historical product, please contact your local representative.



LPXW4

- 316 Stainless steel mounting bracket
- Can be angled at 0°, 30°, 45°, 60° & 90°



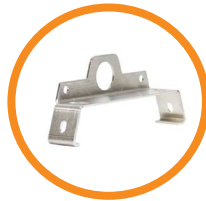
LPXW4LP

- 316 Stainless steel low profile mounting bracket
- Can be angled at 0° and 15°



LTXSAFEKIT

- Stainless steel safety cable kit for secondary retention

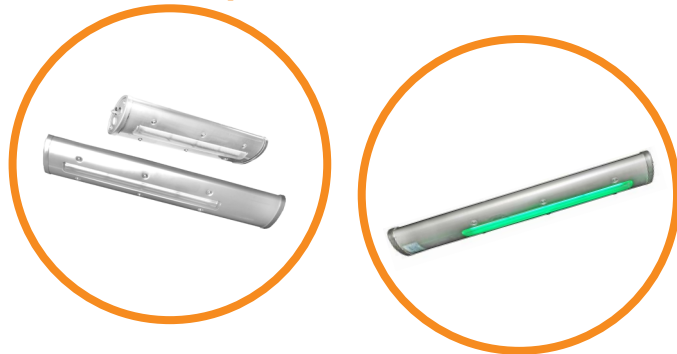


LTXENDCAPKIT

- 304 Stainless steel chain mount and secondary retention bracket

SafeSite® LED Stainless Steel Linear - CE

Technical Specifications



| Ratings and Certifications | |
|----------------------------|--------------------------|
| • | 5 year warranty |
| • | IECEX / ATEX Zones 1, 21 |
| • | IECEX / ATEX Zones 2, 22 |
| • | IP66 / 67 |
| • | IK09 |
| • | RoHS compliant |

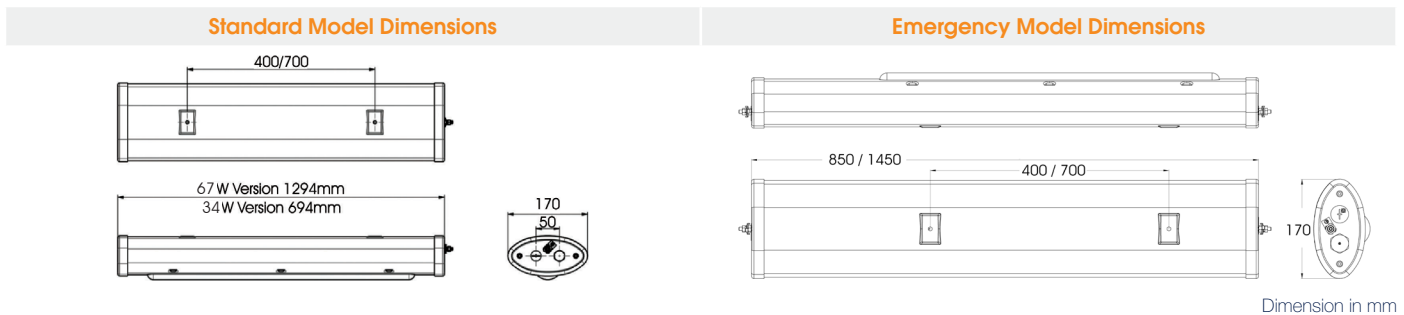
*All features not available on every model. Please refer to product part number pages for model specifics.

| Mechanical Information | |
|-------------------------|--|
| Fixture weight: | Standard: 1308mm - 11.3 kg (25 lb) 708mm - 6.8 kg (15 lb) |
| | Emergency: 1308mm - 14.1 kg (31 lb) 708mm - 9.1 kg (20 lb) |
| Shipping weight: | Standard: 1308mm - 14.1 kg (31 lb) 708mm - 9.1 kg (20 lb) |
| | Emergency: 1308mm - 17.2 kg (38 lb) 708mm - 11.3 kg (25 lb) |
| Mounting: | (2) M8 fixing points |
| | Secondary retention not available |
| Cable Entries: | 2 x M25 cable entries at both ends, through wired as standard. Consult factory for other options |
| Terminals: | 0.5-4mm ² via integrated junction box |

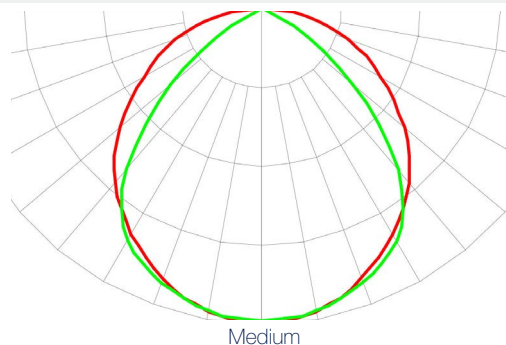
| Specifications | | | |
|-------------------------------|---|--------------------------|---|
| Voltage options: | Standard: 110-250 VAC | Housing: | 316 Marine grade stainless steel |
| | Emergency: 230/240 VAC | Lens: | High impact resistant polycarbonate |
| Operating temp: | Standard: -20°C to +60°C | CRI: | 70 |
| | Emergency: -20°C to +60°C | CCT: | 5000K (cool white) |
| | | | 4000K (neutral white) |
| | | | Green |
| Power factor: | >0.9 | Surge protection: | EN 61000-4-5 1kV line to line, 2 kV line to ground |
| Emergency Models | | | |
| Battery: | 3.6V 10Ah NiMH | Duration: | @ 25°C ambient - est. >3 hours |
| Expected battery life: | 4 years at lowest rated ambient temperature | | |

| Comparison | | | |
|---------------------|----------|----------|----------|
| | Warranty | L70 | T-Rating |
| Dialight LED Linear | 5yr | >150,000 | T5 |
| Fluorescent | 1 | 24,000 | T3 |

| Lumens | Wattage | lm/W | Mounting Heights |
|--------|---------|------|------------------|
| 5,100 | 64 | 81 | 6m |
| | | | ↕ |
| 2,600 | 32 | 81 | 3m |



Beam Distribution



WARNING - INSTALLATION & SECONDARY RETENTION. Use of any Dialight products without proper installation (including secondary retention / netting) and periodic inspections could cause severe injury or death. Dialight recommends that all installations should use secondary retention / netting (appropriate to the installation environment) where applicable. It is the exclusive responsibility of the contractor, installer and/or end-user to: (a) determine the suitability of the product for its intended application; and, (b) ensure that the product is safely installed (with secondary retention / netting where appropriate) and in compliance with all applicable laws and regulations. To the extent permissible under applicable laws, Dialight disclaims all liability for personal injury and/or other damage resulting from any dislodgment or other dislocation of its products.

SafeSite® LED Stainless Steel Linear - CE

Australia & Asia Order Codes

| Current Part Number | Historic Part Number | Fixture Lumens | Wattage | lm/W | Voltage | Colour Temperature (CCT) | Lens | Beam Distribution |
|-----------------------------|----------------------|----------------|---------|------|-------------|--------------------------|---------------|-------------------|
| Non-Emergency Models | | | | | | | | |
| ELA-1N6M-SSCB4 | ELA-1C3M-SSCB | 2,450 | 34 | 72 | 110-277 VAC | 4000K (neutral white) | Polycarbonate | Medium |
| ELA-1N6R-SSCB4 | ELA-1C3R-SSCB | 4,800 | 67 | 71 | 110-277 VAC | 4000K (neutral white) | Polycarbonate | Medium |
| Emergency Models | | | | | | | | |
| ELEA-2N7M-SSCB4 | ELEA-2C4M-SSCB | 2,450 | 35 | 70 | 230/240 VAC | 4000K (neutral white) | Polycarbonate | Medium |
| ELEA-2N7R-SSCB4 | ELEA-2C4R-SSCB | 4,800 | 70 | 68 | 230/240 VAC | 4000K (neutral white) | Polycarbonate | Medium |
| Shower Light Models | | | | | | | | |
| ELEA-2G7M-SSCB4 | ELEA-2G4M-SSCB | | 35 | | 230/240 VAC | Green | Polycarbonate | Medium |
| ELEA-2G7R-SSCB4 | ELEA-2G4R-SSCB | | 70 | | 230/240 VAC | Green | Polycarbonate | Medium |

All values typical unless otherwise stated (tolerance +/- 10%).

Part numbers listed in **bold** are typically available in stock.

Part numbers listed in the table above are neutral white. For cool white models, replace the 5th (non-emergency) or 6th (emergency) character with a **C**.

Historical part number provided for reference only. For performance characteristics of historical product, please contact your local representative.



ELXCMBSS

- 316 Marine grade stainless steel ceiling mount kit



ELXEYESS

- 316 Marine grade stainless steel eyelet kit



ELX-BATT-KIT

- Emergency model
- 3.6V 10Ah NIMH battery kit



ELXPCSS40

- 40 Ø - 45mm range 316 Marine grade stainless steel pole clamp

ELXPCSS54

- 54 Ø - 57mm range 316 Marine grade stainless steel pole clamp



ELXWMBSS30

- 30° 316 Marine grade stainless steel wall mount kit

ELXWMBSS60

- 60° 316 Marine grade stainless steel wall mount kit

ELXPCSS47

- 47 Ø - 51mm range 316 Marine grade stainless steel pole clamp

ELXPCSS59

- 59 Ø - 62mm range 316 Marine grade stainless steel pole clamp

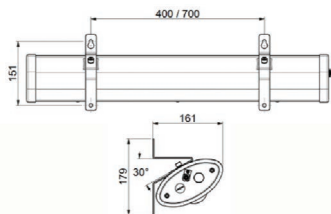
ELXWMBSS45

- 45° 316 Marine Grade stainless steel wall mount kit

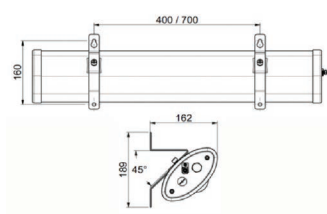
ELXWMBSS90

- 90° 316 Marine grade stainless steel wall mount kit

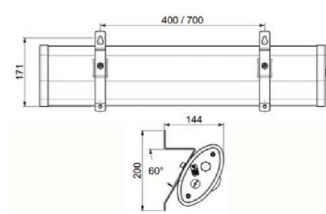
Mounting Options



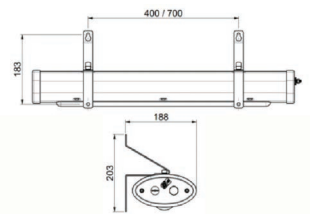
Wall Mount Bracket 30°



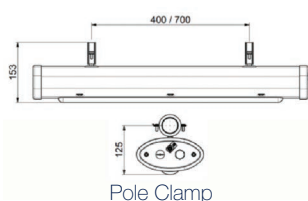
Wall Mount Bracket 45°



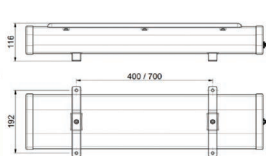
Wall Mount Bracket 60°



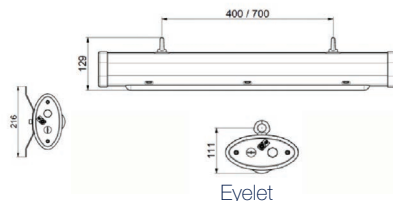
Wall Mount Bracket 90°



Pole Clamp



Ceiling Mount



Eyelet

DISCLAIMER. All product information provided is, to the best of Dialight's knowledge, accurate as of the date of publication. When ordering, refer to www.dialight.com for current versions of: (a) relevant product documentation (including the relevant product data sheets); (b) Dialight terms and conditions of sale; and, (c) the relevant product warranty. To the extent that any contract is deemed formed between Dialight and the purchaser of Dialight products and/or an end-user, versions of documents available at www.dialight.com as at the date of sale shall be the versions incorporated therein. In the event of any discrepancy between this document or information provided at www.dialight.com, the latter shall prevail.

SafeSite® LED Bulkhead - CE/UL

Technical Specifications



Ratings and Certifications

| | |
|------------------------------|----------------------------|
| • 5 year warranty | • IECEx / ATEX Zones 1, 21 |
| • IP66 / 67 | • IECEx / ATEX Zones 2, 22 |
| • IK09 | • ABS |
| • Amber models available | • CE |
| • Emergency models available | |

*All features not available on every model. Please refer to product part number pages for model specifics.

Mechanical Information

| | |
|-------------------------|--|
| Fixture weight: | |
| Standard & Amber Models | |
| 22W/34W: | 4.5 kg (10 lb) |
| Emergency Models | |
| 24W/36W: | 5.4 kg (12 lb) |
| Cable Entries: | All cable entries are drilled and tapped M20 (standard) |
| Mounting: | Secondary retention not available |
| Terminals: | 0.5-4mm ² x 3 via integrated junction box |

Specifications

| | | | |
|--------------------------|--|--|--|
| Voltage options: | | Housing: | Copper-free aluminium |
| Standard & Amber Models | | Power factor: | >0.9 |
| 22W: | 100-277 VAC or 24-48 VDC | THD: | <20% |
| 34W: | 100-277 VAC | Lens (High impact resistant glass): | Clear glass Frosted glass |
| Emergency Models | | CRI: | 70 |
| 24W: | 90-132 VAC or 207-264 VAC | CCT: | 5650K (cool white) 4300K (neutral white) Amber |
| 36W: | 207-264 VAC | | |
| Operating temp: | | Emergency Models | |
| Standard & Amber Models | | Battery | |
| 22W: | -40°C to +60°C | 24W: | 3.6V 4Ah NiMH |
| 34W: | -40°C to +50°C | 34W: | 3.6V 10Ah NiMH |
| Emergency Models | | Expected Battery Life: | 4 years |
| 24W: | -0°C to +50°C (-20°C options available) | Battery Duration: | @ 25°C ambient - est. >3 hours |
| 34W: | -0°C to +40°C (-20°C options available) | | |
| Surge protection: | EN 61000-4-5 1kV line to line, 2kV line to ground | | |

Comparison

| | Warranty | L70 |
|-----------------------|----------|----------|
| Dialight LED Bulkhead | 5yr | >100,000 |
| Metal Halide | 1 | 15,000 |
| High Pressure Sodium | 1 | 20,000 |
| Fluorescent | 1 | 24,000 |

Standard Models

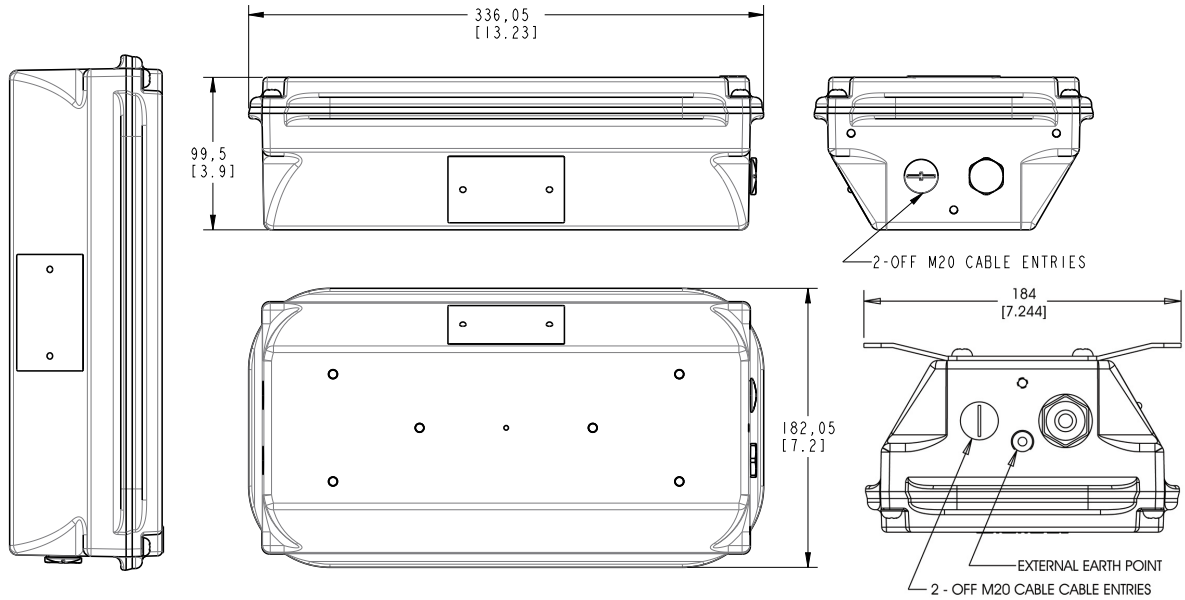
| Lumens | Wattage | lm/W | Mounting Heights |
|--------|---------|------|------------------|
| 2,150 | 34 | 63 | 6m |
| 1,200 | 22 | 55 | 3m |

WARNING - INSTALLATION & SECONDARY RETENTION. Use of any Dialight products without proper installation (including secondary retention / netting) and periodic inspections could cause severe injury or death. Dialight recommends that all installations should use secondary retention / netting (appropriate to the installation environment) where applicable. It is the exclusive responsibility of the contractor, installer and/or end-user to: (a) determine the suitability of the product for its intended application; and, (b) ensure that the product is safely installed (with secondary retention / netting where appropriate) and in compliance with all applicable laws and regulations. To the extent permissible under applicable laws, Dialight disclaims all liability for personal injury and/or other damage resulting from any dislodgment or other dislocation of its products.

SafeSite® LED Bulkhead - CE/UL

Dimensional Drawings

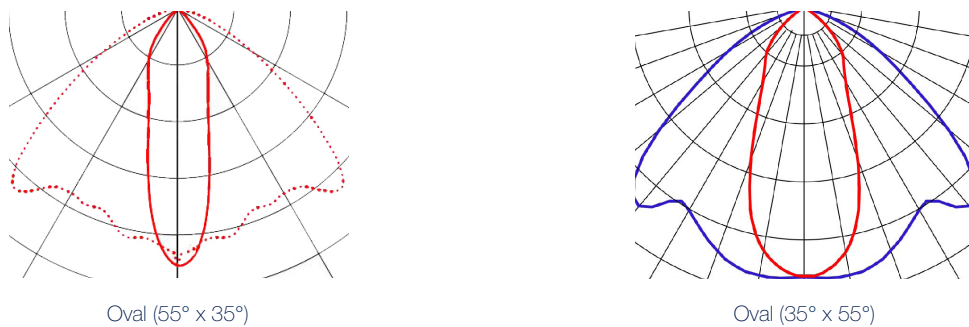
Dimensions - Standard



Dimension in mm [inches]

*2-off cable entries on shower models

Beam Distribution

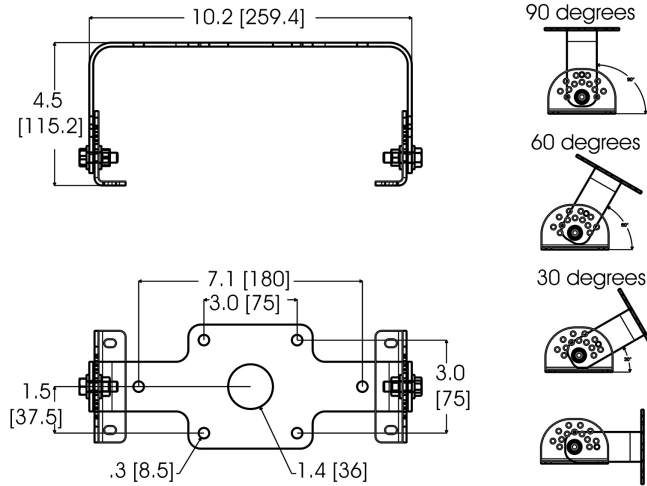


DISCLAIMER. All product information provided is, to the best of Dialight's knowledge, accurate as of the date of publication. When ordering, refer to www.dialight.com for current versions of: (a) relevant product documentation (including the relevant product data sheets); (b) Dialight terms and conditions of sale; and, (c) the relevant product warranty. To the extent that any contract is deemed formed between Dialight and the purchaser of Dialight products and/or an end-user, versions of documents available at www.dialight.com as at the date of sale shall be the versions incorporated therein. In the event of any discrepancy between this document or information provided at www.dialight.com, the latter shall prevail.

SafeSite® LED Bulkhead - CE/UL

Dimensional Drawings

WP-BRKT-SS-ADJ



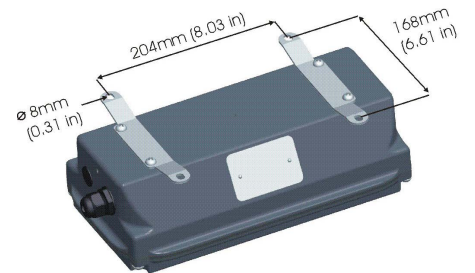
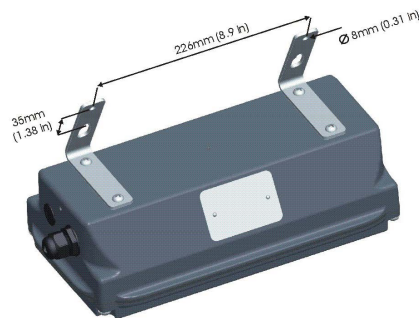
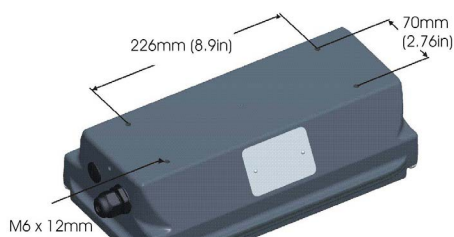
WP-STMB-LG00-XX



Without Bracket

30° Angle Bracket

Flush Bracket



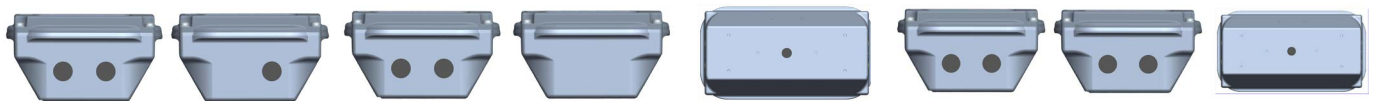
*Holes are blank and blind

Standard Option

Remove last "E" from part code

Option "R"

Option "H"



2 Entries One Side, 1 Entry Opposite Side.

2 Entries One Side

Remove last **E** in the part code and replace with **R**

2 Entries One Side, 2 Entries Opposite Side and 1 Entry in the Rear. Replace last **E** in the part code with an **H**.

DISCLAIMER. All product information provided is, to the best of Dialight's knowledge, accurate as of the date of publication. When ordering, refer to www.dialight.com for current versions of: (a) relevant product documentation (including the relevant product data sheets); (b) Dialight terms and conditions of sale; and, (c) the relevant product warranty. To the extent that any contract is deemed formed between Dialight and the purchaser of Dialight products and/or an end-user, versions of documents available at www.dialight.com as at the date of sale shall be the versions incorporated therein. In the event of any discrepancy between this document or information provided at www.dialight.com, the latter shall prevail.

SafeSite® LED Bulkhead - CE/UL

Australia & Asia Order Codes

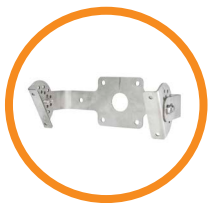
| Current Part Number | Historic Part Number | Fixture Lumens | Wattage | lm/W | Voltage | Colour Temperature (CCT) | Lens | Beam Distribution |
|---------------------------------------|----------------------|----------------|---------|------|-------------|--------------------------|----------------|-------------------|
| Standard Models - 100-277 VAC | | | | | | | | |
| WPA-4N3H-FLGCE | WPA-4N3H-FLGC | 1,150 | 22 | 52 | 100-277 VAC | 4300K (neutral white) | Tempered glass | Oval (35° x 55°) |
| WPA-4N3L-FLGCE | WPA-4N3L-FLGC | 2,125 | 34 | 63 | 100-277 VAC | 4300K (neutral white) | Tempered glass | Oval (35° x 55°) |
| WPA-5N3L-NLGCE | WPA-5N3L-NLGC | 2,025 | 34 | 60 | 100-277 VAC | 4300K (neutral white) | Tempered glass | Oval (55° x 35°) |
| Emergency Models - 110-120 VAC | | | | | | | | |
| WEA-4N5H-FLGCE | WEA-4N5H-FLGC | 1,200 | 24 | 50 | 110-120 VAC | 4300K (neutral white) | Tempered glass | Oval (35° x 55°) |
| Emergency Models - 207-264 VAC | | | | | | | | |
| WEA-4N4H-FLGCE | WEA-4N4H-FLGC | 1,150 | 24 | 48 | 207-264 VAC | 4300K (neutral white) | Tempered glass | Oval (35° x 55°) |
| WEA-5N4H-NLGCE | WEA-5N4H-NLGC | 1,150 | 24 | 48 | 207-264 VAC | 4300K (neutral white) | Tempered glass | Oval (55° x 35°) |
| WEA-4N4L-FLGCE | WEA-4N4L-FLGC | 2,125 | 36 | 59 | 207-264 VAC | 4300K (neutral white) | Tempered glass | Oval (35° x 55°) |
| WEA-5N4L-NLGCE | WEA-5N4L-NLGC | 2,025 | 36 | 56 | 207-264 VAC | 4300K (neutral white) | Tempered glass | Oval (55° x 35°) |
| Amber Models | | | | | | | | |
| WPA-5A3H-NLGCE | WPA-5A3H-NLGC | | 24 | | 100-277 VAC | Amber | Tempered glass | Oval (55° x 35°) |
| WEA-5A4H-NLGCE | WEA-5A4H-NLGC | | 24 | | 207-264 VAC | Amber | Tempered glass | Oval (55° x 35°) |

All values typical unless otherwise stated (tolerance +/- 10%).

Part numbers listed in **bold** are typically available in stock.

Part numbers listed in the table above are neutral white. For cool white models, replace the 5th character with a **C**.

Historical part number provided for reference only. For performance characteristics of historical product, please contact your local representative.



WP-BRKT-SS-ADJ

- 316 stainless steel adjustable bracket
- Includes self-tapping screws



WP-STMB-LG00-10

- Non-threaded 50mm bore straight stanchion mounting bracket



WPX-000799-BATT

- 4Ah 3.6V battery module for 22W model
- Replacement battery kit
- Battery backup models

WPX-001500-BATT

- 10Ah 3.6V battery module for 34W model
- Battery backup models



WP-BRKT-LG-PF

- Pipe and flush bracket
- Includes self-tapping screws



WP-STMB-LG25

- Non-threaded 50mm 25° stanchion mounting bracket



WP-STMB-LG85-50

- Non-threaded bore 34mm diameter

Also available:

WP-BRKT-F-KIT

- Flush mounting brackets
- Bracket to fixture hardware
- Includes (2) brackets in 304 stainless steel and stainless mounting hardware

WP-BRKT-SS-30

- 30° angle mounting brackets
- Bracket to fixture hardware
- Includes (2) brackets in 304 stainless steel and stainless mounting hardware

DISCLAIMER. All product information provided is, to the best of Dialight's knowledge, accurate as of the date of publication. When ordering, refer to www.dialight.com for current versions of: (a) relevant product documentation (including the relevant product data sheets); (b) Dialight terms and conditions of sale; and, (c) the relevant product warranty. To the extent that any contract is deemed formed between Dialight and the purchaser of Dialight products and/or an end-user, versions of documents available at www.dialight.com as at the date of sale shall be the versions incorporated therein. In the event of any discrepancy between this document or information provided at www.dialight.com, the latter shall prevail.

StreetSense® LED Street Light - CE/UL

Technical Specifications



Ratings and Certifications

- 7 year warranty
- CE / UL 1598

*All features not available on every model. Please refer to product part number pages for model specifics.

Mechanical Information

| | |
|-------------------------|---|
| Fixture weight: | 1 light engine: 7.3 kg (16 lb) 2 light engines: 11.3 kg (25 lb) 3 light engines: 15.4 kg (34 lb) |
| Shipping weight: | 1 light engine: 9.5 kg (21 lb) 2 light engines: 13.6 kg (30 lb) 3 light engines: 17.7 kg (39 lb) |
| Mounting: | Accommodates 31.75mm (42.16mm OD) - 50.8mm (60.32mm OD) pipe. Provision for adjustment of +/- 5° at 2.5° increments Secondary retention standard |
| Terminals: | 3x 2.08mm ² to 13.3mm ² with two conductors per pole |

Specifications

| | | | |
|--------------------------|--|-----------------|---|
| Voltage options: | 100-277 VAC, 50/60 Hz | Housing: | Copper-free aluminium |
| Operating temp: | -40°C to +74°C | Lens: | Optically optimized tempered glass |
| Power factor: | >0.9 | CRI: | >70 |
| THD: | <20% | CCT: | 5000K (cool white) 4300K (neutral white) |
| Surge protection: | Open circuit surge protection 6kV standard per ANSI/IEEE C62.41 . 2.2002 cat C low or Open circuit surge protection 10kV standard per ANSI/IEEE C62.41 . 2.2002 cat C high | | |

Comparison

| | Warranty | L70 |
|---------------------------|----------|----------|
| Dialight LED Street Light | 7yr | >100,000 |
| Metal Halide | 1 | 15,000 |
| High Pressure Sodium | 1 | 20,000 |

Lumens

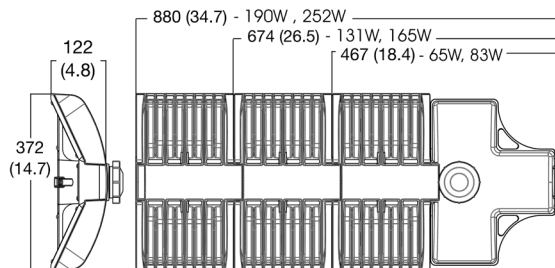
Wattage

lm/W

Mounting Heights

| | | | |
|--------|-----|----|--------|
| 20,250 | 252 | 80 | 17m |
| 16,000 | 190 | 84 | ↑ ↓ |
| 10,900 | 131 | 83 | |
| 6,800 | 83 | 82 | |
| 5,500 | 65 | 85 | 5m |

Dimensions



Dimension in mm [inches]

WARNING - INSTALLATION & SECONDARY RETENTION. Use of any Dialight products without proper installation (including secondary retention / netting) and periodic inspections could cause severe injury or death. Dialight recommends that all installations should use secondary retention / netting (appropriate to the installation environment) where applicable. It is the exclusive responsibility of the contractor, installer and/or end-user to: (a) determine the suitability of the product for its intended application; and, (b) ensure that the product is safely installed (with secondary retention / netting where appropriate) and in compliance with all applicable laws and regulations. To the extent permissible under applicable laws, Dialight disclaims all liability for personal injury and/or other damage resulting from any dislodgment or other dislocation of its products.

StreetSense® LED Street Light - CE/UL

Australia & Asia Order Codes

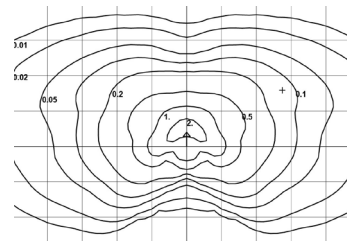
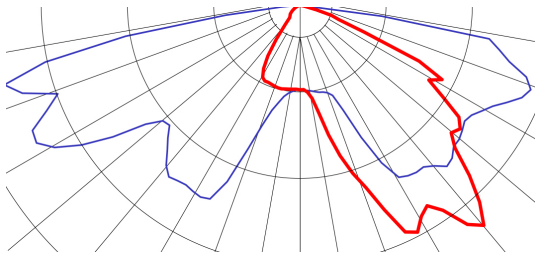
| Part Number | Fixture Lumens | Wattage | lm/W | Voltage | Colour Temperature (CCT) | Lens | Light Engines |
|-----------------------------------|----------------|---------|------|-------------|--------------------------|----------------|---------------|
| Standard Models - Type III | | | | | | | |
| SL3N5CLGGEU | 5,500 | 65 | 85 | 100-277 VAC | 4300K (neutral white) | Tempered glass | 1 |
| SL3N5DLGGEU | 6,750 | 83 | 81 | 100-277 VAC | 4300K (neutral white) | Tempered glass | 1 |
| SL3N5HLGGEU | 10,900 | 131 | 83 | 100-277 VAC | 4300K (neutral white) | Tempered glass | 2 |
| SL3N5ILGGEU | 13,250 | 165 | 80 | 100-277 VAC | 4300K (neutral white) | Tempered glass | 2 |
| SL3N5RLGGEU | 16,000 | 190 | 84 | 100-277 VAC | 4300K (neutral white) | Tempered glass | 3 |
| SL3N5SLGGEU | 20,250 | 252 | 80 | 100-277 VAC | 4300K (neutral white) | Tempered glass | 3 |

All values typical unless otherwise stated (tolerance +/- 10%).

Part numbers listed in **bold** are typically available in stock.

Part numbers listed in the table above are neutral white. For cool white models, replace the 4th character with a **C**.

Beam Distribution



Type III

StreetSense® LED Street Light - IECEx/ATEX

Technical Specifications



Ratings and Certifications

- 7 year warranty
- CE
- IECEx / ATEX Zone 2

*All features not available on every model. Please refer to product part number pages for model specifics.

Mechanical Information

| | |
|-------------------------|---|
| Fixture weight: | 1 light engine: 7.3 kg (16 lb) 2 light engines: 11.3 kg (25 lb) 3 light engines: 15.4 kg (34 lb) |
| Shipping weight: | 1 light engine: 9.5 kg (21 lb) 2 light engines: 13.6 kg (30 lb) 3 light engines: 17.7 kg (39 lb) |
| Mounting: | Accommodates 31.75mm (42.16mm OD) - 50.8mm (60.32mm OD) pipe. Provision for adjustment of +/- 5° at 2.5° increments Secondary retention standard |
| Terminals: | 3x 2.08mm ² to 13.3mm ² with two conductors per pole |

Specifications

| | | | |
|--------------------------|--|-----------------|---|
| Voltage options: | 100-277 VAC, 50/60 Hz | Housing: | Aluminum alloy A360 |
| Operating temp: | -40°C to +74°C | Lens: | Optically optimized tempered glass |
| Power factor: | >0.9 | CRI: | 70 |
| THD: | <20% | CCT: | 5000K (cool white) 4300K (neutral white) |
| Surge protection: | Open circuit surge protection 6kV standard per ANSI/IEEE C62.41. 2.2002 cat C low or Open circuit surge protection 10kV standard per ANSI/IEEE C62.41. 2.2002 cat C high | | |

Comparison

| | Warranty | L70 |
|---------------------------|----------|----------|
| Dialight LED Street Light | 7yr | >100,000 |
| Metal Halide | 1 | 15,000 |
| High Pressure Sodium | 1 | 20,000 |

Lumens

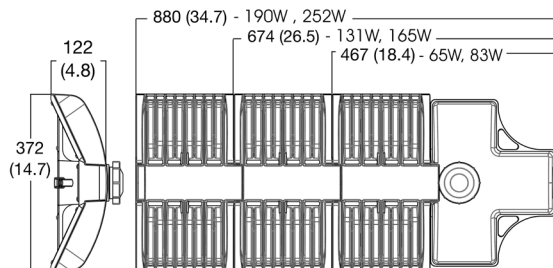
Wattage

lm/W

Mounting Heights

| | | | |
|--------|-----|----|-----|
| 20,250 | 252 | 80 | 17m |
| 10,900 | 131 | 83 | ↕ |
| 5,500 | 65 | 85 | |

Dimensions



Dimension in mm [inches]

WARNING - INSTALLATION & SECONDARY RETENTION. Use of any Dialight products without proper installation (including secondary retention / netting) and periodic inspections could cause severe injury or death. Dialight recommends that all installations should use secondary retention / netting (appropriate to the installation environment) where applicable. It is the exclusive responsibility of the contractor, installer and/or end-user to: (a) determine the suitability of the product for its intended application; and, (b) ensure that the product is safely installed (with secondary retention / netting where appropriate) and in compliance with all applicable laws and regulations. To the extent permissible under applicable laws, Dialight disclaims all liability for personal injury and/or other damage resulting from any dislodgment or other dislocation of its products.

StreetSense® LED Street Light - IECEx/ATEX

Australia & Asia Order Codes



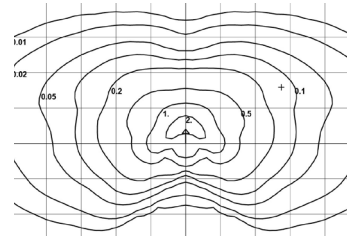
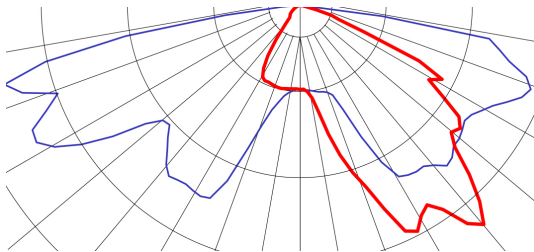
| Part Number | Fixture Lumens | Wattage | lm/W | Voltage | Colour Temperature (CCT) | Lens | Light Engines |
|----------------------------|----------------|---------|------|-------------|--------------------------|----------------|---------------|
| Standard Models - Type III | | | | | | | |
| SLA3N4CG | 5,500 | 65 | 85 | 100-277 VAC | 4300K (neutral white) | Tempered glass | 1 |
| SLA3N4HG | 10,900 | 131 | 83 | 100-277 VAC | 4300K (neutral white) | Tempered glass | 2 |
| SLA3N4SG | 20,250 | 252 | 80 | 100-277 VAC | 4300K (neutral white) | Tempered glass | 3 |

All values typical unless otherwise stated (tolerance +/- 10%).

Part numbers listed in **bold** are typically available in stock.

Part numbers listed in the table above are neutral white. For cool white models, replace the 4th character with a **C**.

Beam Distribution



Type III

Obstruction LED Lighting

ICAO



Red LED Systems: Medium Intensity ICAO Type B/Type C

Features & Benefits

- Integrated controller
- 5 year warranty
- Universal 120-240 VAC input
- Controller can be mounted at the base of the structure
- Wide temperature range: -40°C to +55°C
- Configurable flash rates (20, 30, or 40 flashes per min)
- Ability to operate lights in steady or flashing mode
- Optional infrared light fixtures
- Light weight design
- Low power consumption
- IP66 rated light fixtures
- Impact and vibration resistant
- Provision for padlock on the enclosure
- Dry contacts for alarm monitoring/status
 - Photocell alarm
 - Light alarms
 - Operation mode (day/night)
- Largest Controller can control and monitor maximums of:
 - Twelve (12) Medium Intensity ICAO Type B/Type C and
 - Twenty Four (24) Low Intensity ICAO Type B/Type E
- Verified to meet CASA requirements under Manual of Standards Part 139 - Aerodromes



Dual (Red/White) LED Systems: Medium Intensity ICAO Type A/Type B

Features & Benefits

- Infrared (IR) version available for improved visibility to Night Vision Goggles
- Optional Ethernet/Cellular based remote monitoring/control system available
- Ability to flash side markers
- Integrated controller with LCD back-lit display
- 5 year warranty
- Universal 120-240 VAC input or +/- 48 VDC input
- Controller can be mounted at the base of the structure
- Wide temperature range: -40°C to +55°C
- Light weight design
- Low power consumption
- IP66 rated light fixtures
- Impact and vibration resistant
- Provisions for padlock on the enclosure
- Dry contacts for alarm monitoring/status
 - Photocell alarm
 - White mode alarm
 - Power fail
 - Light alarms
 - Red mode alarm
 - Communication
 - Operation mode (day/night)
 - Sync alarm



White LED Systems: Medium Intensity ICAO Type A

Features & Benefits

- Integrated controller with LCD back-lit display
- Optional Ethernet/Cellular based remote monitoring/control system available
- 5 year warranty
- Universal 120-240 VAC input or 48 VDC input
- Controller can be mounted at the base of the structure
- Wide temperature range: -40°C to +55°C
- Light weight design
- Low power consumption
- IP66 rated light fixtures
- Impact and vibration resistant
- Provisions for padlock on the enclosure
- Dry contacts for alarm monitoring/status
 - Photocell alarm
 - White mode alarm
 - Power fail
 - Light alarms
 - Communication
 - Operation mode (day/night)
 - Sync alarm



High Intensity LED Systems: ICAO Type A

Features & Benefits

- Integrated controller
- 5 year warranty
- Universal 208-277 VAC input
- Controller can be mounted at the base of the structure
- Wide temperature range: -40°C to +55°C
- Low power consumption
- IP66 rated light fixtures
- Impact and vibration resistant
- Provision for padlock on the enclosure
- Dry contacts for alarm monitoring/status
 - Photocell alarm
 - White mode alarm
 - Power fail
 - Red mode alarm
 - Communication
 - Operation mode (day/night)
 - Sync alarm

DISCLAIMER. All product information provided is, to the best of Dialight's knowledge, accurate as of the date of publication. When ordering, refer to www.dialight.com for current versions of: (a) relevant product documentation (including the relevant product data sheets); (b) Dialight terms and conditions of sale; and, (c) the relevant product warranty. To the extent that any contract is deemed formed between Dialight and the purchaser of Dialight products and/or an end-user, versions of documents available at www.dialight.com as at the date of sale shall be the versions incorporated therein. In the event of any discrepancy between this document or information provided at www.dialight.com, the latter shall prevail.

Obstruction LED Lighting

ICAO



Vigilant LED Based ICAO Type A

High Intensity (White / Red) Strobe

| | |
|-----------------------------|---|
| Effective Intensity: | White Day – 200,000 cd White Twilight- 20,000 cd White or Red Night- 2,000 cd |
| Wattage: | White day - 160W White twilight - 30W White Night - 23W Red Night - 30W |
| Input Voltage: | 208-277 VAC |



Vigilant LED Based ICAO Type A/Type B

Medium Intensity (White/Red) Strobe - Infrared (IR) available

| | |
|-----------------------------|--|
| Effective Intensity: | White Day- 20,000 cd White Night- 2,000 cd Red Night- 2,000 cd |
| Wattage: | White Day- 36W (system = 75W) White Night- 4W (system = 10W) Red Night- 12W (system = 25W) |
| Input Voltage: | 120-240 VAC or +/- 48 VDC |

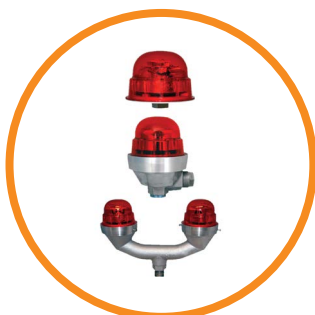


Vigilant LED Based ICAO Type B/Type C

Medium Intensity (Red) Beacon - Infrared (IR) available

Verified to meet CASA requirements under Manual of Standards Part 139 - Aerodromes

| | |
|-----------------------------|---|
| Effective Intensity: | 2,000 cd |
| Wattage: | 3.3W (16.7% duty circle) - standard 7.0W (16.7% duty circle) - IR model 20 flashes per minute with 0.5 sec. on time |
| Input Voltage: | 120-240 VAC or 24-48 VDC |



Vigilant LED Based ICAO Type B/Type E

Low Intensity (Red) RTO Side Light - Infrared (IR) available

| | |
|-----------------------------|---------------------------------|
| Effective Intensity: | 32.5 cd |
| Wattage Range: | 1.5-9.0W |
| Input Voltage: | 12-48 VDC, 120-240 VAC, 277 VAC |



Vigilant LED Based ICAO Type B/Type E

Low Intensity (Red) Side Light

| | |
|-----------------------------|-----------------------------|
| Effective Intensity: | 32.5 cd, 50 cd, 10 cd |
| Wattage Range: | 13-24W |
| Input Voltage: | 12-48 VDC, 120 VAC, 230 VAC |

DISCLAIMER. All product information provided is, to the best of Dialight's knowledge, accurate as of the date of publication. When ordering, refer to www.dialight.com for current versions of: (a) relevant product documentation (including the relevant product data sheets); (b) Dialight terms and conditions of sale; and, (c) the relevant product warranty. To the extent that any contract is deemed formed between Dialight and the purchaser of Dialight products and/or an end-user, versions of documents available at www.dialight.com as at the date of sale shall be the versions incorporated therein. In the event of any discrepancy between this document or information provided at www.dialight.com, the latter shall prevail.

Australia

108 Howe Street
Osborne Park, WA 6017
Tel: +61 (0) 8 9244 7600
Fax: +61 (0) 8 9244 7601
info@dialight.com.au

Southeast Asia

33 Ubi Avenue 3
#07-72 Vertex (Tower A)
Singapore 408868
Tel: +65 6578 7157
Fax: +65 6578 7150
enquiry@dialight.com.sg

EMEA Technical Centre

Ejby Industrivej 91 B
2600 Glostrup
Tel: +45 8877 4545 (Denmark)
Tel: +44 1638 666541 (UK)
Tel: +49 89 12089 5713 (Germany)
Tel: +33 3 23 22 62 58 (France)
sales-europe@dialight.com

Houston

16830 Barker Springs Rd
Ste 407,
Houston, TX 77084
Tel: 732-919-3119
Fax: 281-492-1531
info@dialight.com

Middle East

Level 42
Emirates Towers (Office Tower)
Sheikh Zayed Road
Dubai, United Arab Emirates
Tel: +971 (0) 4319 7686
Fax: +971 (0) 4319 7686

North American HQ

1501 Route 34 South
Farmingdale, NJ 07727
Tel: 732-919-3119
Fax: 732-751-5778
info@dialight.com

Brazil

Alameda Mercurio
225 – American Park Empresarial NR
Indaiatuba – SP – 13347– 662
Tel: +55 (19) 3113 - 4300
Fax: +55 (19) 3113 - 4300
brasil@dialight.com

WARNING / DISCLAIMERS:

Installation & secondary retention. The use of this product without proper installation (including secondary retention / netting) and periodic inspections, could cause severe injury or death. Dialight recommends that all installations should use secondary retention / netting (appropriate to the installation environment) as applicable. Dialight products are intended for ultimate purchase, installation and operation by knowledgeable persons trained in the functional assessment, installation, use and maintenance of such products and all customers (including but not limited to end customers) are responsible for assessing the suitability of Dialight products for any given installation requirement. It is the exclusive responsibility of the contractor, installer and/or end-user to: (a) determine the suitability of the product for its intended application; and, (b) ensure that the product is safely installed (with secondary retention / netting as appropriate) and in compliance with all applicable laws and regulations.

Product specifications & warranties. All product information provided is, to the best of Dialight's knowledge, accurate as of the date of publication. All values and performance data herein are design or typical values when measured under laboratory conditions. The information herein is subject to change without notice. The products / software detailed herein are subject to applicable warranties and terms and conditions of use/purchase. Unless agreed otherwise in writing by an authorized representative of Dialight, Dialight does not represent that its products are fit for any particular purpose and accepts no liability for the installation and/or unauthorised use of its products. When ordering, refer to www.dialight.com for current versions of: (a) relevant product documentation (including relevant product data sheets); (b) Dialight terms and conditions of sale; and, (c) the relevant product warranties. To the extent that any contract is deemed formed between Dialight and the purchaser of Dialight products and/or an end-user, versions of documents available at www.dialight.com as at the date of sale shall be the versions incorporated therein. In the event of any discrepancy between this document and information provided at www.dialight.com, the latter shall prevail.

Exclusion of liability. To the extent permissible under the relevant law, Dialight disclaims all liability for personal injury and/or other damage resulting from any dislodgment or other dislocation of its products. Whilst Dialight has used its reasonable endeavours to ensure the completeness and accuracy of information herein, Dialight does not assume any liability for damages resulting from use of this information or for any third-party representations made in relation to Dialight products.