

Dialight

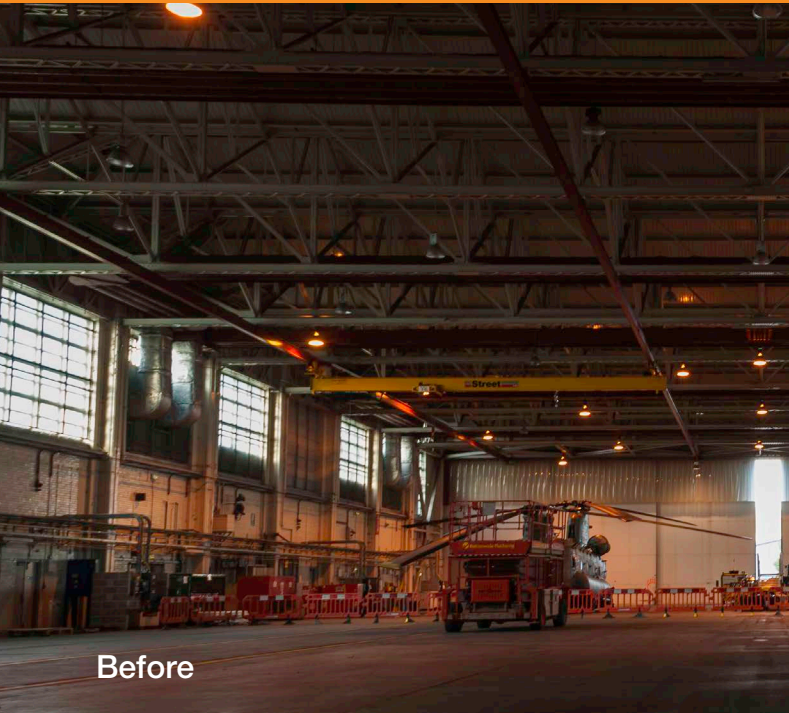


Dialight LED Lighting Catalog - Americas/UL

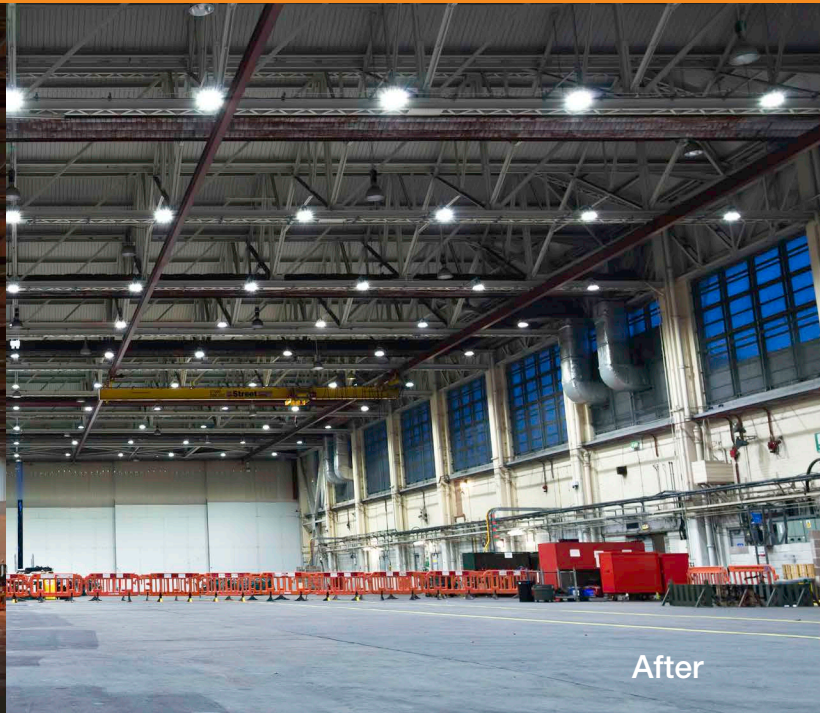
for Industrial and Hazardous Locations

AUGUST 2021





Before



After

About Dialight

With over 40 years of industrial LED lighting experience and the largest installed base in the world, Dialight's extensive network of support staff, distributor and channel partners are ready to help you select among our wide range of products to identify a lighting solution that meets your specific needs.

Reliant™

- LED lighting for light industrial applications
- 10 year warranty

Vigilant®

- LED lighting for general industrial applications
- 10 year warranty

DuroSite®

- LED lighting for general industrial applications
- 5 & 10 year warranty

SafeSite®

- LED lighting for hazardous applications
- 5 & 10 year warranty



Hazardous Locations Ratings

Fixed and portable fixtures for installation and use in hazardous (classified) locations Class I, Divisions 1 and 2, Groups A, B, C, and D; Class II, Division 1, Groups E, F, and G; Class II, Division 2, Groups F and G; and Class III, Divisions 1 and 2, in accordance with the National Electrical Code, NFPA 70

Classes

The classes define the general nature of hazardous material in the surrounding atmosphere.

| Class | Hazardous Material in Surrounding Atmosphere |
|-----------|--|
| Class I | Hazardous because flammable gases or vapors are present in the air in quantities sufficient to produce explosive or ignitable mixtures |
| Class II | Hazardous because combustible or conductive dusts are present |
| Class III | Hazardous because ignitable fibers or flying's are present, but not likely to be in suspension in sufficient quantities to produce ignitable mixtures. Typical wood chips, cotton, flax and nylon. Group classifications are not applied to this class |

Divisions

The division defines the probability of hazardous material being present in an ignitable concentration in the surrounding atmosphere.

| Division | Presence of Hazardous Material |
|------------|--|
| Division 1 | The substance referred to by class is present during normal conditions |
| Division 2 | The substance referred to by class is present only in abnormal conditions, such as a container failure or system breakdown |

Groups

The group defines the hazardous material in the surrounding atmosphere.

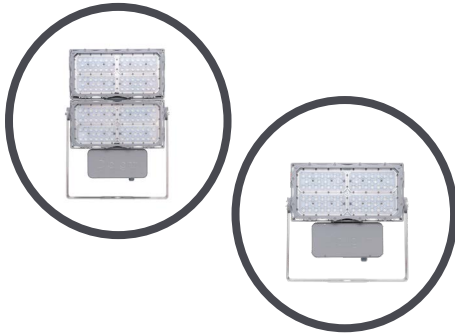
| Group | Hazardous Material in Surrounding Atmosphere |
|---------|--|
| Group A | Acetylene |
| Group B | Hydrogen, fuel and combustible process gases containing more than 30% hydrogen by volume or gases of equivalent hazard such as butadiene, ethylene, oxide, propylene oxide and acrolein |
| Group C | Carbon monoxide, ether, hydrogen sulfide, morphine, cyclopropane, ethyl and ethylene or gases of equivalent hazard |
| Group D | Gasoline, acetone, ammonia, benzene, butane, cyclopropane, ethanol, hexane, methanol, methane, vinyl chloride, natural gas, naphtha, propane or gases of equivalent hazard |
| Group E | Combustible metal dusts, including aluminum, magnesium and their commercial alloys or other combustible dusts whose particle size, abrasiveness and conductivity present similar hazards in connection with electrical equipment |
| Group F | Carbonaceous dusts, carbon black, coal black, charcoal, coal or coke dusts that have more than 8% total entrapped volatiles or dusts that have been sensitized by other material so they present an explosion hazard |
| Group G | Flour dust, grain dust, flour, starch, sugar, wood, plastic and chemicals |

Reference:
http://www.engineeringtoolbox.com/hazardous-areas-classification-d_347.html

Table of Contents

| | | |
|--|---|---------|
| | ProSite LED Lighting | |
| | ProSite LED Floodlight | 14-21 |
| | Reliant™ LED Lighting | |
| | Reliant™ LED High Bay | 22-25 |
| | Vigilant® LED Lighting | |
| | Vigilant® LED High Bay & Low Bay | 26-39 |
| | Vigilant® LED High Output High Bay | 40-49 |
| | Vigilant® LED High Output High Bay - Low Profile | 50-53 |
| | Vigilant® LED Dual & Single Floodlight | 54-57 |
| | Vigilant® LED Area Light | 58-67 |
| | Vigilant® LED Linear - Low Profile | 68-69 |
| | Vigilant® LED Linear - Top Conduit | 70-71 |
| | DuroSite® LED Lighting | |
| | DuroSite® LED Floodlight | 72-75 |
| | DuroSite® LED Area Light | 76-85 |
| | DuroSite® LED End-to-End Linear | 86-87 |
| | DuroSite® LED Linear - Low Profile | 88-89 |
| | DuroSite® LED Linear - Top Conduit | 90-91 |
| | DuroSite® LED Linear - Battery Backup | 92-93 |
| | DuroSite® LED Wallpack/Bulkhead | 94-95 |
| | DuroSite® LED RTO Area Light | 96-97 |
| | SafeSite® LED Lighting | |
| | SafeSite® LED High Bay & Low Bay | 98-113 |
| | SafeSite® LED Floodlight | 114-117 |
| | SafeSite® LED Area Light | 118-137 |
| | SafeSite® LED End-to-End Linear | 138-139 |
| | SafeSite® LED Linear - Low Profile | 140-141 |
| | SafeSite® LED Linear - Top Conduit | 142-147 |
| | SafeSite® LED Linear - Battery Backup | 148-149 |
| | SafeSite® LED Linear - Class I, Div. 1 | 150-151 |
| | SafeSite® LED Linear - Battery Backup - Class I, Div. 1 | 152-153 |
| | SafeSite® LED Wallpack/Bulkhead | 154-155 |
| | SafeSite® LED RTO Area Light | 156-157 |
| | StreetSense® LED Lighting | |
| | StreetSense® LED Street Light | 158-159 |
| | Obstruction LED Lighting | |
| | FAA Approved Obstruction Lighting Solutions | 160-161 |

ProSite LED Lighting Fixture for Industrial Applications



LED Floodlight

| | |
|------------------|--|
| Wattage Range: | 81-499W |
| Lumen Output: | 12,500-65,000lm |
| Lumens per Watt: | Up to 165 |
| Input Voltage: | 120-277 VAC / 120-250 VDC 347-480 VAC |

Reliant™ LED Lighting Fixture for Industrial Applications



LED High Bay

| | |
|------------------|----------------------------|
| Wattage Range: | 183-487W |
| Lumen Output: | 18,000-72,000lm |
| Lumens per Watt: | 129-160 |
| Input Voltage: | 100-277 VAC 347-480 VAC |

Vigilant® LED Lighting Fixtures for Industrial Applications



LED High Bay

| | |
|---------------------|---|
| Wattage Range: | 80-186W |
| Lumen Output Range: | 11,000-26,250lm |
| Lumens per Watt: | 100-145 |
| Input Voltage: | 100-277 VAC 120-250 VDC 347-480 VAC |



LED High Bay - Passive Power Supply

| | |
|------------------|--------------------|
| Wattage Range: | 73-206W |
| Lumen Output: | 9,750-27,000lm |
| Lumens per Watt: | 101-131 |
| Input Voltage: | 347 VAC or 480 VAC |

DISCLAIMER. All product information provided is, to the best of Dialight's knowledge, accurate as of the date of publication. When ordering, refer to www.dialight.com for current versions of: (a) relevant product documentation (including the relevant product data sheets); (b) Dialight terms and conditions of sale; and, (c) the relevant product warranty. To the extent that any contract is deemed formed between Dialight and the purchaser of Dialight products and/or an end-user, versions of documents available at www.dialight.com as at the date of sale shall be the versions incorporated therein. In the event of any discrepancy between this document or information provided at www.dialight.com, the latter shall prevail.

Vigilant® LED Lighting Fixtures

for Industrial Applications



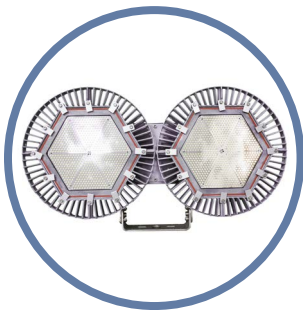
LED Low Bay

| | |
|------------------|---|
| Wattage Range: | 42-154W |
| Lumen Output: | 3,500-18,000lm |
| Lumens per Watt: | 68-113 |
| Input Voltage: | 100-277 VAC 120-250 VDC 347-480 VAC |



LED High Output High Bay & Low Profile

| | |
|------------------|--------------------------|
| Wattage Range: | 300-506W |
| Lumen Output: | Up to 72,000lm |
| Lumens per Watt: | Up to 155 lm/W |
| Input Voltage: | 120-277 VAC, 347/480 VAC |



LED Single & Dual Floodlight

| | |
|---------------------|---------------------------------------|
| Wattage Range: | 186-412W |
| Lumen Output Range: | 27,000-56,000lm |
| Lumens per Watt: | 127-147 |
| Input Voltage: | 100-277 VAC, 120-250 VDC, 347-480 VAC |



LED Area Light

| | |
|---------------------|--------------------------|
| Wattage Range: | 24W-66W |
| Lumen Output Range: | 2,800-9,000lm |
| Lumens per Watt: | 106-143 |
| Input Voltage: | 100-277 VAC, 120-250 VDC |

DISCLAIMER. All product information provided is, to the best of Dialight's knowledge, accurate as of the date of publication. When ordering, refer to www.dialight.com for current versions of: (a) relevant product documentation (including the relevant product data sheets); (b) Dialight terms and conditions of sale; and, (c) the relevant product warranty. To the extent that any contract is deemed formed between Dialight and the purchaser of Dialight products and/or an end-user, versions of documents available at www.dialight.com as at the date of sale shall be the versions incorporated therein. In the event of any discrepancy between this document or information provided at www.dialight.com, the latter shall prevail.

DuroSite® LED Lighting Fixtures

for Industrial Applications



LED Floodlight

| | |
|---------------------|----------------------------|
| Wattage Range: | 106-140W |
| Lumen Output Range: | 10,000-15,000lm |
| Lumens per Watt: | 89-111 |
| Input Voltage: | 100-277 VAC 347/480 VAC |



LED Area Light

| | |
|---------------------|--|
| Wattage Range: | 21W-85W |
| Lumen Output Range: | 2,200-7,500lm |
| Lumens per Watt: | 75-111 |
| Input Voltage: | 120-277 VAC - Battery backup 347/480 VAC, 24-48 VDC |



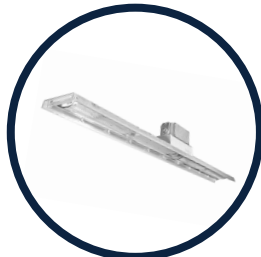
LED Linear - End-to-End

| | |
|---------------------|---------------|
| Wattage Range: | 32W/60W |
| Lumen Output Range: | 3,500-7,500lm |
| Lumens per Watt: | 109-125 |
| Input Voltage: | 100-277 VAC |



LED Linear - Low Profile

| | |
|---------------------|---------------|
| Wattage Range: | 33W/66W |
| Lumen Output Range: | 2,900-7,250lm |
| Lumens per Watt: | 88-110 |
| Input Voltage: | 100-277 VAC |



LED Linear - Top Conduit

| | |
|---------------------|---------------|
| Wattage Range: | 33W/66W |
| Lumen Output Range: | 2,900-7,250lm |
| Lumens per Watt: | 88-110 |
| Input Voltage: | 100-277 VAC |



LED Linear - Battery Backup

| | |
|---------------------|-------------|
| Wattage Range: | 85W |
| Lumen Output Range: | 7,000lm |
| Lumens per Watt: | 82 |
| Input Voltage: | 120-277 VAC |

DISCLAIMER. All product information provided is, to the best of Dialight's knowledge, accurate as of the date of publication. When ordering, refer to www.dialight.com for current versions of: (a) relevant product documentation (including the relevant product data sheets); (b) Dialight terms and conditions of sale; and, (c) the relevant product warranty. To the extent that any contract is deemed formed between Dialight and the purchaser of Dialight products and/or an end-user, versions of documents available at www.dialight.com as at the date of sale shall be the versions incorporated therein. In the event of any discrepancy between this document or information provided at www.dialight.com, the latter shall prevail.

DuroSite® LED Lighting Fixtures

for Industrial Applications



LED Wallpack/Bulkhead

Wattage Range: 11W/22W/34W
 Lumen Output Range: 600-2,250lm
 Lumens per Watt: 55-66
 Input Voltage: 100-277 VAC
 24-48 VDC



LED RTO Area Light

Wattage Range: 8W
 Lumen Output Range: 470-800lm
 Lumens per Watt: 59-100
 Input Voltage: 100-277 VAC
 24-48 VDC

SafeSite® LED Lighting Fixtures

for Hazardous Applications



LED High Bay

Wattage Range: 80-186W
 Lumen Output Range: 7,750-26,250lm
 Lumens per Watt: 97-145
 Input Voltage: 100-277 VAC, 120-250 VDC
 347-480 VAC



LED High Bay - Passive Power Supply

Wattage Range: 73-206W
 Lumen Output: 11,250-27,000lm
 Lumens per Watt: 123-154
 Input Voltage: 347 VAC or 480 VAC



LED Low Bay

Wattage Range: 42-154W
 Lumen Output: 3,500-18,000lm
 Lumens per Watt: 107-123
 Input Voltage: 100-277 VAC
 120-250 VDC
 347-480 VAC

DISCLAIMER. All product information provided is, to the best of Dialight's knowledge, accurate as of the date of publication. When ordering, refer to www.dialight.com for current versions of: (a) relevant product documentation (including the relevant product data sheets); (b) Dialight terms and conditions of sale; and, (c) the relevant product warranty. To the extent that any contract is deemed formed between Dialight and the purchaser of Dialight products and/or an end-user, versions of documents available at www.dialight.com as at the date of sale shall be the versions incorporated therein. In the event of any discrepancy between this document or information provided at www.dialight.com, the latter shall prevail.

SafeSite® LED Lighting Fixtures

for Hazardous Applications



LED Floodlight

| | |
|---------------------|----------------------------|
| Wattage Range: | 106-140W |
| Lumen Output Range: | 10,000-15,000lm |
| Lumens per Watt: | 89-111 |
| Input Voltage: | 100-277 VAC 347/480 VAC |



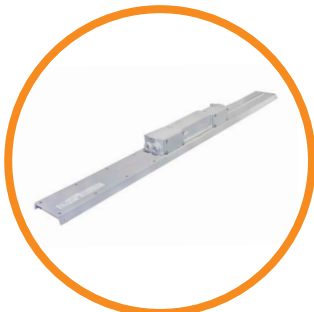
LED Area Light

| | |
|---------------------|--|
| Wattage Range: | 21-85W |
| Lumen Output Range: | 2,200-9,000lm |
| Lumens per Watt: | 75-145 |
| Input Voltage: | 100-277 VAC, 120-250 VDC 120-277 VAC - Battery backup 347-480 VAC 24-48 VDC |



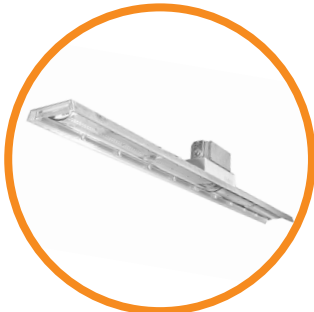
LED Linear - End-to-End

| | |
|---------------------|---------------|
| Wattage Range: | 32W/60W |
| Lumen Output Range: | 3,500-7,500lm |
| Lumens per Watt: | 109-125 |
| Input Voltage: | 120-277 VAC |



LED Linear - Low Profile

| | |
|---------------------|---------------|
| Wattage Range: | 33W/66W |
| Lumen Output Range: | 2,700-7,250lm |
| Lumens per Watt: | 82-110 |
| Input Voltage: | 100-277 VAC |



LED Linear - Top Conduit

| | |
|---------------------|---------------|
| Wattage Range: | 33W/66W |
| Lumen Output Range: | 2,900-7,250lm |
| Lumens per Watt: | 82-110 |
| Input Voltage: | 100-277 VAC |

DISCLAIMER. All product information provided is, to the best of Dialight's knowledge, accurate as of the date of publication. When ordering, refer to www.dialight.com for current versions of: (a) relevant product documentation (including the relevant product data sheets); (b) Dialight terms and conditions of sale; and, (c) the relevant product warranty. To the extent that any contract is deemed formed between Dialight and the purchaser of Dialight products and/or an end-user, versions of documents available at www.dialight.com as at the date of sale shall be the versions incorporated therein. In the event of any discrepancy between this document or information provided at www.dialight.com, the latter shall prevail.

SafeSite® LED Lighting Fixtures

for Hazardous Applications



LED Linear - Battery Backup

| | |
|---------------------|-------------|
| Wattage Range: | 85W |
| Lumen Output Range: | 7,000lm |
| Lumens per Watt: | 82 |
| Input Voltage: | 120-277 VAC |



LED Linear - Class I, Div. 1

| | |
|---------------------|----------------------------|
| Wattage Range: | 34-100W |
| Lumen Output Range: | 3,600-7,250lm |
| Lumens per Watt: | 72-106 |
| Input Voltage: | 100-277 VAC 347-480 VAC |



LED Linear - Battery Backup

| | |
|---------------------|-------------|
| Wattage Range: | 85W |
| Lumen Output Range: | 7,250lm |
| Lumens per Watt: | 85 |
| Input Voltage: | 120-277 VAC |



LED Wallpack/Bulkhead

| | |
|---------------------|----------------------------|
| Wattage Range: | 11W/22W/34W |
| Lumen Output Range: | 600-2,250lm |
| Lumens per Watt: | 46-66 |
| Input Voltage: | 100-277 VAC 207-264 VAC |

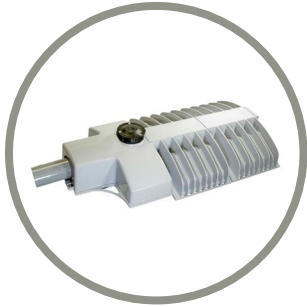


LED RTO Area Light

| | |
|---------------------|--------------------------|
| Wattage Range: | 8W |
| Lumen Output Range: | 470-800lm |
| Lumens per Watt: | 59-100 |
| Input Voltage: | 100-277 VAC 24-48 VDC |

DISCLAIMER. All product information provided is, to the best of Dialight's knowledge, accurate as of the date of publication. When ordering, refer to www.dialight.com for current versions of: (a) relevant product documentation (including the relevant product data sheets); (b) Dialight terms and conditions of sale; and, (c) the relevant product warranty. To the extent that any contract is deemed formed between Dialight and the purchaser of Dialight products and/or an end-user, versions of documents available at www.dialight.com as at the date of sale shall be the versions incorporated therein. In the event of any discrepancy between this document or information provided at www.dialight.com, the latter shall prevail.

StreetSense® LED Lighting Fixtures for Infrastructure Solutions



LED Streetlight

| | |
|---------------------|----------------------------|
| Wattage Range: | 65-252W |
| Lumen Output Range: | 5,500-20,250lm |
| Lumens per Watt: | 80-85 |
| Input Voltage: | 100-277 VAC 347-480 VAC |

Obstruction LED Lighting Solutions

FAA Approved Obstruction Lighting Solutions



Vigilant LED Based L-856 / L-864

High Intensity (White/Red) Strobe

| | |
|----------------------|--|
| Effective Intensity: | White Day - 270,000 cd White Twilight - 20,000 cd White Night - 2,000 cd Red Night - 2,000 cd |
| Wattage: | White Day - 160W White Twilight - 30W White Night - 23W Red Night - 30W |
| Input Voltage: | 208-277 VAC |



Vigilant LED Based L-865 / L-864 (+IR)

Medium Intensity (White/Red) Strobe - Infrared (IR) available

| | |
|----------------------|---|
| Effective Intensity: | White Day - 20,000 cd White Night - 2,000 cd Red Night - 2,000 cd |
| Wattage: | White Day - 36W (system = 75W) White Night - 4W (system = 10W) Red Night - 12W (system = 25W) |
| Input Voltage: | 120-240 VAC or +/- 48 VDC |

DISCLAIMER. All product information provided is, to the best of Dialight's knowledge, accurate as of the date of publication. When ordering, refer to www.dialight.com for current versions of: (a) relevant product documentation (including the relevant product data sheets); (b) Dialight terms and conditions of sale; and, (c) the relevant product warranty. To the extent that any contract is deemed formed between Dialight and the purchaser of Dialight products and/or an end-user, versions of documents available at www.dialight.com as at the date of sale shall be the versions incorporated therein. In the event of any discrepancy between this document or information provided at www.dialight.com, the latter shall prevail.

Obstruction LED Lighting Solutions

FAA Approved Obstruction Lighting Solutions

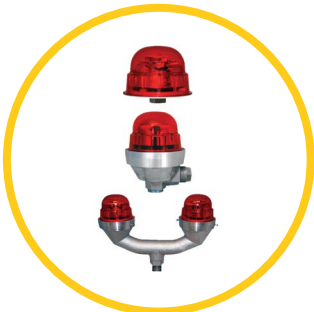


Vigilant LED Based L-864 (+IR)
Medium Intensity (Red) Beacon - Infrared (IR) available

Effective Intensity: 2,000 cd

Wattage: 3.3W (16.7% duty cycle) - Standard Model
7.0W (16.7% duty cycle) - IR model
20 flashes per minute with 0.5 sec. on time

Input Voltage: 120-240 VAC or 24-48 VDC



Vigilant LED Based L-810 (+IR)
Low Intensity (Red) RTO Side Light - Infrared (IR) available

Effective Intensity: 32.5 cd

Wattage Range: 9.0-1.5W

Input Voltage: 12-48 VDC / 120-240 VAC / 277 VAC



Vigilant LED Based L-810 (+IR)
Low Intensity (Red) RTO Side Light - Infrared (IR) available

Effective Intensity: 32.5 cd

Wattage Range: 24-13W

Input Voltage: 12-48 VDC / 120 VAC / 230 VAC

DISCLAIMER. All product information provided is, to the best of Dialight's knowledge, accurate as of the date of publication. When ordering, refer to www.dialight.com for current versions of: (a) relevant product documentation (including the relevant product data sheets); (b) Dialight terms and conditions of sale; and, (c) the relevant product warranty. To the extent that any contract is deemed formed between Dialight and the purchaser of Dialight products and/or an end-user, versions of documents available at www.dialight.com as at the date of sale shall be the versions incorporated therein. In the event of any discrepancy between this document or information provided at www.dialight.com, the latter shall prevail.

ProSite LED Floodlight - UL / CSA

F1 Models



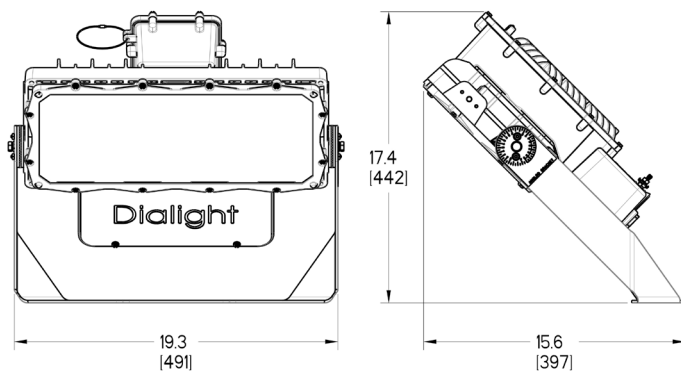
Patent Pending

Certifications & Ratings

- 10 year warranty
- UL 1598/A / CSA C22.2 No. 250.0
- UL 844 / CSA C22.2 No. 137
 - Class I, Division 2 (Groups A, B, C, D)
 - Class I, Zone 2 (Groups IIC)
 - Class II, Division 2 (Groups E, F, G)
 - Zone 22
 - Class III
 - CID1 - Pending*
- IP66/67, NEMA 4X
- IK10 (integrated PC optic/lens/lens cover), IK08 (glass lens cover)
- L70 > 150,000 hours @ 25°C ambient
- DLC/DLC Premium - selected models

*Values based on preliminary data awaiting validation or certification.

Angled Bracket



Dimensions in inches [mm]

Additional dimensional drawings on pages 15-16

Mechanical Information:

- Fixture weight:** 24 - 30 lbs
- Shipping weight:** ~32 lbs
- EPA (sq. ft):** 2.00
- Mounting:** 316 stainless steel straight bracket
(all with 7.5° tilting increments) 316 stainless steel angled bracket
Slipfitter bracket
- Cable entry:** 2 x 3/4" NPT

Electrical Specifications:

- Operating voltage:** 120-277VAC / 120-250VDC
347-480 VAC
- Operating temp:** -40°F to +149°F (-40°C to +65°C)
- EMC:** CISPR 15
FCC 47CFR 15
IEC 61000-3-3
IEC 61547
IEC 61000-3-2
- Transient protection:** 6KV/3KA combination wave, as per IEEE
C62.41, line-line and line-ground.
Optional: 10kV/5kA for non-hazardous models
- THD:** < 20%
- Power Factor:** > 0.9
- Dimming:** Wireless dimming controls
via Dialight IntelliLED (optional),
DALI 2.0 compatible/ 0-10 VDC (standard)

Construction:

- Housing:** A360 Die-cast aluminum
- Hardware:** 316 stainless steel
- Finish:** Superior epoxy and polyester
dual coat finish
- Lens:** Integrated PC Optic/Lens,
Glass Lens Cover, PC Lens Cover

Photometric Information:

- CRI:** 70 (80 optional)
- CCT:** 5000K (cool white)
4000K (neutral white)
2700K (warm white) - 80 CRI
- Beam pattern:** NEMA 4
NEMA 6
NEMA 7x6
Asymmetric
- IES files:** Available at www.dialight.com

All values typical unless otherwise stated (tolerance +/- 10%)

Temperature Ratings

| | |
|----------------------------------|----------------------------------|
| Ambient Temperature T-Code: T4 | Ambient Temperature T-Code: T4A |
| -40°F to +149°F (-40°C to +65°C) | -40°F to +131°F (-40°C to +55°C) |

WARNING - INSTALLATION & SECONDARY RETENTION. Use of any Dialight products without proper installation (including secondary retention / netting) and periodic inspections could cause severe injury or death. Dialight recommends that all installations should use secondary retention / netting (appropriate to the installation environment) where applicable. It is the exclusive responsibility of the contractor, installer and/or end-user to: (a) determine the suitability of the product for its intended application; and, (b) ensure that the product is safely installed (with secondary retention / netting where appropriate) and in compliance with all applicable laws and regulations. To the extent permissible under applicable laws, Dialight disclaims all liability for personal injury and/or other damage resulting from any dislodgment or other dislocation of its products.

ProSite LED Floodlight - UL / CSA

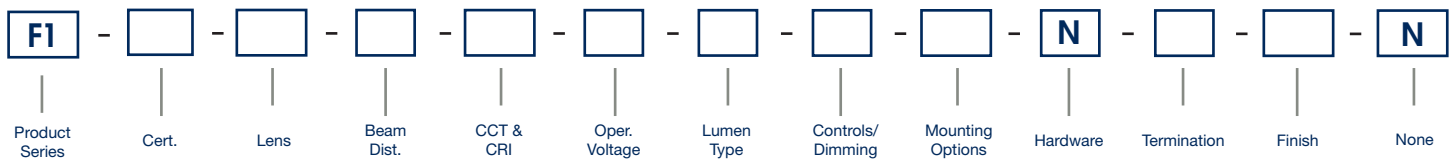
F1 Models



| Project Information | |
|---------------------|-------|
| Part Number: | |
| Project: | |
| Fixture Type: | Date: |

| Specifications |
|----------------|
| |
| |
| |
| |

Ordering Information



| | | | |
|--|--|---|--|
| Product Series F1 ProSite Floodlight F1 Model | CCT & CRI B Cool White 5000K - 70 CRI L Neutral White 4000K - 70 CRI W Warm White 2700K - 80 CRI <small>*Amber options available</small> | Controls/Dimming D 0-10V / DALI J Dialight IntelliLED Wireless Controls 2.4GHz S Receptacle with Shorting Cap (non-hazardous only) | Termination U 6mm ² Terminal Block - Screw Down* V 4mm ² Terminal Block - Push Down <small>*The 6mm² terminals are only for the incoming power connections. The 6mm² terminals are single pole and cannot be used for 'through' wiring. The 6mm² terminals are not available for 347-480V models.</small> |
| Certification D UL 844 U UL 1598 / CSA | Operating Voltage 2 120-277VAC / 120-250VDC 5 347-480 VAC 8 120-277VAC / 120-250VDC 10kV surge (non-hazardous only) 9 347-480 VAC 10kV surge (non-hazardous only) | Mounting Options E 316 SS Angled Bracket F 316 SS Straight Bracket S Slipfitter (1-1/4" - 2-3/8" OD)* <small>*For Slipfitter mounting UL844 models are only rated up to CID2 (A, B, C & D)</small> | Finish G Gray (RAL 7040) Z Bronze (RAL 7022) |
| Lens N Integrated PC Optic/Lens Only 4 PC Lens Cover 7 Glass Lens Cover | Lumen Type B 12,000 Lumens C 18,000 Lumens E 24,000 Lumens F 30,000 Lumens | Hardware N No Option | None N No Options |
| Beam Distribution 4 NEMA 4 6 NEMA 6 7 NEMA 7x6 F Asymmetric* <small>*For Asymmetric beam distribution either a PC or Glass lens cover must be included</small> | | | |

DISCLAIMER. All product information provided is, to the best of Dialight's knowledge, accurate as of the date of publication. When ordering, refer to www.dialight.com for current versions of: (a) relevant product documentation (including the relevant product data sheets); (b) Dialight terms and conditions of sale; and, (c) the relevant product warranty. To the extent that any contract is deemed formed between Dialight and the purchaser of Dialight products and/or an end-user, versions of documents available at www.dialight.com as at the date of sale shall be the versions incorporated therein. In the event of any discrepancy between this document or information provided at www.dialight.com, the latter shall prevail.

Ordering Information

ProSite LED Floodlight - UL / CSA



| Industrial - UL 1598 / CSA | | | | | | | |
|---------------------------------------|----------------|---------|------|-------------------------|--------------------|---------------|-------------------|
| Part Number | Fixture Lumens | Wattage | lm/W | Voltage | CCT | Lens | Beam Distribution |
| Lumen Output Family - 12,000lm | | | | | | | |
| F1U-N7B2-BDEN-VGN | 13,200 | 81 | 163 | 120-277VAC / 120-250VDC | 5000k (cool white) | Integrated PC | NEMA 7x6 |
| F1U-N6B2-BDEN-VGN | 13,200 | 81 | 163 | 120-277VAC / 120-250VDC | 5000k (cool white) | Integrated PC | NEMA 6 |
| F1U-N4B2-BDEN-VGN | 13,200 | 81 | 163 | 120-277VAC / 120-250VDC | 5000k (cool white) | Integrated PC | NEMA 4 |
| F1U-N7B5-BDEN-VGN | 13,200 | 84 | 158 | 347-480VAC | 5000k (cool white) | Integrated PC | NEMA 7x6 |
| F1U-N6B5-BDEN-VGN | 13,200 | 84 | 158 | 347-480VAC | 5000k (cool white) | Integrated PC | NEMA 6 |
| F1U-N4B5-BDEN-VGN | 13,200 | 84 | 158 | 347-480VAC | 5000k (cool white) | Integrated PC | NEMA 4 |
| Lumen Output Family - 18,000lm | | | | | | | |
| F1U-N7B2-CDEN-VGN | 19,100 | 124 | 154 | 120-277VAC / 120-250VDC | 5000k (cool white) | Integrated PC | NEMA 7x6 |
| F1U-N6B2-CDEN-VGN | 19,100 | 124 | 154 | 120-277VAC / 120-250VDC | 5000k (cool white) | Integrated PC | NEMA 6 |
| F1U-N4B2-CDEN-VGN | 19,100 | 124 | 154 | 120-277VAC / 120-250VDC | 5000k (cool white) | Integrated PC | NEMA 4 |
| F1U-N7B5-CDEN-VGN | 19,100 | 128 | 149 | 347-480VAC | 5000k (cool white) | Integrated PC | NEMA 7x6 |
| F1U-N6B5-CDEN-VGN | 19,100 | 128 | 149 | 347-480VAC | 5000k (cool white) | Integrated PC | NEMA 6 |
| F1U-N4B5-CDEN-VGN | 19,100 | 128 | 149 | 347-480VAC | 5000k (cool white) | Integrated PC | NEMA 4 |
| Lumen Output Family - 24,000lm | | | | | | | |
| F1U-N7B2-EDEN-VGN | 25,000 | 175 | 143 | 120-277VAC / 120-250VDC | 5000k (cool white) | Integrated PC | NEMA 7x6 |
| F1U-N6B2-EDEN-VGN | 25,000 | 175 | 143 | 120-277VAC / 120-250VDC | 5000k (cool white) | Integrated PC | NEMA 6 |
| F1U-N4B2-EDEN-VGN | 25,000 | 175 | 143 | 120-277VAC / 120-250VDC | 5000k (cool white) | Integrated PC | NEMA 4 |
| F1U-N7B5-EDEN-VGN | 25,000 | 179 | 140 | 347-480VAC | 5000k (cool white) | Integrated PC | NEMA 7x6 |
| F1U-N6B5-EDEN-VGN | 25,000 | 179 | 140 | 347-480VAC | 5000k (cool white) | Integrated PC | NEMA 6 |
| F1U-N4B5-EDEN-VGN | 25,000 | 179 | 140 | 347-480VAC | 5000k (cool white) | Integrated PC | NEMA 4 |
| Lumen Output Family - 30,000lm | | | | | | | |
| F1U-N7B2-FDEN-VGN | 31,600 | 234 | 135 | 120-277VAC / 120-250VDC | 5000k (cool white) | Integrated PC | NEMA 7x6 |
| F1U-N6B2-FDEN-VGN | 31,600 | 234 | 135 | 120-277VAC / 120-250VDC | 5000k (cool white) | Integrated PC | NEMA 6 |
| F1U-N4B2-FDEN-VGN | 31,600 | 234 | 135 | 120-277VAC / 120-250VDC | 5000k (cool white) | Integrated PC | NEMA 4 |
| F1U-N7B5-FDEN-VGN | 31,600 | 237 | 133 | 347-480VAC | 5000k (cool white) | Integrated PC | NEMA 7x6 |
| F1U-N6B5-FDEN-VGN | 31,600 | 237 | 133 | 347-480VAC | 5000k (cool white) | Integrated PC | NEMA 6 |
| F1U-N4B5-FDEN-VGN | 31,600 | 237 | 133 | 347-480VAC | 5000k (cool white) | Integrated PC | NEMA 4 |

All values typical unless otherwise stated (tolerance +/- 10%).

See ordering information chart for additional options.

Part numbers listed in **bold** are typically available in stock.

CCT - For 4000K 70 CRI change 6th character to 'L', for 2700K 80 CRI change 6th character to 'W'. Amber options available.

Lens - For glass lens cover change 4th character to '7', for PC lens cover change 4th character to a '4'.

Surge Protection - For 120-277 VAC / 120-250 VDC 10kV surge protection change 7th character to '8', for 347-480VAC 10kV surge protection change 7th character to '9'.

PE Cell - For NEMA PE Cell Receptacle with shorting cap change 9th character to 'S'.

Mounting Bracket - For straight bracket change 10th character to 'F', for slip fitter change 10th character to 'S'.

WARNING - INSTALLATION & SECONDARY RETENTION. Use of any Dialight products without proper installation (including secondary retention / netting) and periodic inspections could cause severe injury or death. Dialight recommends that all installations should use secondary retention / netting (appropriate to the installation environment) where applicable. It is the exclusive responsibility of the contractor, installer and/or end-user to: (a) determine the suitability of the product for its intended application; and, (b) ensure that the product is safely installed (with secondary retention / netting where appropriate) and in compliance with all applicable laws and regulations. To the extent permissible under applicable laws, Dialight disclaims all liability for personal injury and/or other damage resulting from any dislodgment or other dislocation of its products.

Ordering Information

ProSite LED Floodlight - UL / CSA



| Hazardous - UL 844 CID2, CIID2, CIII | | | | | | | |
|---------------------------------------|----------------|---------|------|-------------------------|--------------------|-------|-------------------|
| Part Number | Fixture Lumens | Wattage | lm/W | Voltage | CCT | Lens | Beam Distribution |
| Lumen Output Family - 12,000lm | | | | | | | |
| F1D-77B2-BDEN-VGN | 12,500 | 81 | 154 | 120-277VAC / 120-250VDC | 5000k (cool white) | Glass | NEMA 7x6 |
| F1D-76B2-BDEN-VGN | 12,500 | 81 | 154 | 120-277VAC / 120-250VDC | 5000k (cool white) | Glass | NEMA 6 |
| F1D-74B2-BDEN-VGN | 12,500 | 81 | 154 | 120-277VAC / 120-250VDC | 5000k (cool white) | Glass | NEMA 4 |
| F1D-77B5-BDEN-VGN | 12,500 | 84 | 150 | 347-480VAC | 5000k (cool white) | Glass | NEMA 7x6 |
| F1D-76B5-BDEN-VGN | 12,500 | 84 | 150 | 347-480VAC | 5000k (cool white) | Glass | NEMA 6 |
| F1D-74B5-BDEN-VGN | 12,500 | 84 | 150 | 347-480VAC | 5000k (cool white) | Glass | NEMA 4 |
| Lumen Output Family - 18,000lm | | | | | | | |
| F1D-77B2-CDEN-VGN | 18,000 | 124 | 145 | 120-277VAC / 120-250VDC | 5000k (cool white) | Glass | NEMA 7x6 |
| F1D-76B2-CDEN-VGN | 18,000 | 124 | 145 | 120-277VAC / 120-250VDC | 5000k (cool white) | Glass | NEMA 6 |
| F1D-74B2-CDEN-VGN | 18,000 | 124 | 145 | 120-277VAC / 120-250VDC | 5000k (cool white) | Glass | NEMA 4 |
| F1D-77B5-CDEN-VGN | 18,000 | 128 | 141 | 347-480VAC | 5000k (cool white) | Glass | NEMA 7x6 |
| F1D-76B5-CDEN-VGN | 18,000 | 128 | 141 | 347-480VAC | 5000k (cool white) | Glass | NEMA 6 |
| F1D-74B5-CDEN-VGN | 18,000 | 128 | 141 | 347-480VAC | 5000k (cool white) | Glass | NEMA 4 |
| Lumen Output Family - 24,000lm | | | | | | | |
| F1D-77B2-EDEN-VGN | 23,600 | 175 | 135 | 120-277VAC / 120-250VDC | 5000k (cool white) | Glass | NEMA 7x6 |
| F1D-76B2-EDEN-VGN | 23,600 | 175 | 135 | 120-277VAC / 120-250VDC | 5000k (cool white) | Glass | NEMA 6 |
| F1D-74B2-EDEN-VGN | 23,600 | 175 | 135 | 120-277VAC / 120-250VDC | 5000k (cool white) | Glass | NEMA 4 |
| F1D-77B5-EDEN-VGN | 23,600 | 179 | 132 | 347-480VAC | 5000k (cool white) | Glass | NEMA 7x6 |
| F1D-76B5-EDEN-VGN | 23,600 | 179 | 132 | 347-480VAC | 5000k (cool white) | Glass | NEMA 6 |
| F1D-74B5-EDEN-VGN | 23,600 | 179 | 132 | 347-480VAC | 5000k (cool white) | Glass | NEMA 4 |
| Lumen Output Family - 30,000lm | | | | | | | |
| F1D-77B2-FDEN-VGN | 29,900 | 234 | 128 | 120-277VAC / 120-250VDC | 5000k (cool white) | Glass | NEMA 7x6 |
| F1D-76B2-FDEN-VGN | 29,900 | 234 | 128 | 120-277VAC / 120-250VDC | 5000k (cool white) | Glass | NEMA 6 |
| F1D-74B2-FDEN-VGN | 29,900 | 234 | 128 | 120-277VAC / 120-250VDC | 5000k (cool white) | Glass | NEMA 4 |
| F1D-77B5-FDEN-VGN | 29,900 | 237 | 126 | 347-480VAC | 5000k (cool white) | Glass | NEMA 7x6 |
| F1D-76B5-FDEN-VGN | 29,900 | 237 | 126 | 347-480VAC | 5000k (cool white) | Glass | NEMA 6 |
| F1D-74B5-FDEN-VGN | 29,900 | 237 | 126 | 347-480VAC | 5000k (cool white) | Glass | NEMA 4 |

All values typical unless otherwise stated (tolerance +/- 10%).

See ordering information chart for additional options.

Part numbers listed in **bold** are typically available in stock.

CCT - For 4000K 70 CRI change 6th character to 'L', for 2700K 80 CRI change 6th character to 'W'.

Lens - For PC lens cover change 4th character to a '4' (CID2, CIII only).

Mounting Bracket - For straight bracket change 10th character to 'F', for slip fitter change 10th character to 'S'.

DISCLAIMER. All product information provided is, to the best of Dialight's knowledge, accurate as of the date of publication. When ordering, refer to www.dialight.com for current versions of: (a) relevant product documentation (including the relevant product data sheets); (b) Dialight terms and conditions of sale; and, (c) the relevant product warranty. To the extent that any contract is deemed formed between Dialight and the purchaser of Dialight products and/or an end-user, versions of documents available at www.dialight.com as at the date of sale shall be the versions incorporated therein. In the event of any discrepancy between this document or information provided at www.dialight.com, the latter shall prevail.

ProSite LED Floodlight - UL / CSA

F2 Models



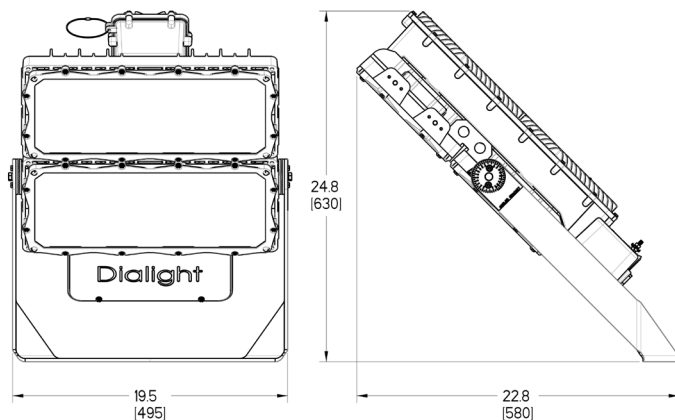
Patent Pending

Certifications & Ratings

- 10 year warranty
- UL 1598/A / CSA C22.2 No. 250.0
- UL 844 / CSA C22.2 No. 137
 - Class I, Division 2 (Groups A, B, C, D)
 - Class I, Zone 2 (Groups IIC)
 - Class II, Division 2 (Groups E, F, G)
 - Zone 22
 - Class III
 - CIID1 - Pending*
- IP66/67, NEMA 4X
- IK10 (integrated PC optic/lens/lens cover), IK08 (glass lens cover)
- L70 > 150,000 hours @ 25°C ambient
- DLC/DLC Premium - selected models

*Values based on preliminary data awaiting validation or certification.

Angled Bracket



Dimensions in inches [mm]
 Additional dimensional drawings on pages 15-16

WARNING - INSTALLATION & SECONDARY RETENTION. Use of any Dialight products without proper installation (including secondary retention / netting) and periodic inspections could cause severe injury or death. Dialight recommends that all installations should use secondary retention / netting (appropriate to the installation environment) where applicable. It is the exclusive responsibility of the contractor, installer and/or end-user to: (a) determine the suitability of the product for its intended application; and, (b) ensure that the product is safely installed (with secondary retention / netting where appropriate) and in compliance with all applicable laws and regulations. To the extent permissible under applicable laws, Dialight disclaims all liability for personal injury and/or other damage resulting from any dislodgment or other dislocation of its products.

Mechanical Information:

- Fixture weight:** 43 - 54 lbs
- Shipping weight:** ~56 lbs
- EPA (sq. ft):** 3.33
- Mounting:** 316 stainless steel straight bracket
(all with 7.5° tilting increments) 316 stainless steel angled bracket
- Cable entry:** 2 x 3/4" NPT

Electrical Specifications:

- Operating voltage:** 120-277VAC / 120-250VDC
347-480 VAC
- Operating temp:** -40°F to +149°F (-40°C to +65°C)
-40°F to +131°F (-40°C to +55°C) - 60klm
- EMC:** CISPR 15
FCC 47CFR 15
IEC 61000-3-3
IEC 61547
IEC 61000-3-2
- Transient protection:** 6KV/3KA combination wave, as per IEEE C62.41, line-line and line-ground.
Optional: 10kV/5kA for non-hazardous models
- THD:** < 20%
- Power Factor:** > 0.9
- Dimming:** Wireless dimming controls via Dialight IntelliLED (up to 36k only), DALI 2.0 compatible (up to 36k only) / 0-10VDC

Construction:

- Housing:** A360 Die-cast aluminum
- Hardware:** 316 stainless steel
- Finish:** Superior epoxy and polyester dual coat finish
- Lens:** Integrated PC Optic/Lens, Glass Lens Cover, PC Lens Cover

Photometric Information:

- CRI:** 70 (80 optional)
- CCT:** 5000K (cool white)
4000K (neutral white)
2700K (warm white) - 80 CRI
- Beam pattern:** NEMA 4
NEMA 6
NEMA 7x6
Asymmetric
- IES files:** Available at www.dialight.com

All values typical unless otherwise stated (tolerance +/- 10%)

Temperature Ratings

| | |
|----------------------------------|----------------------------------|
| Ambient Temperature T-Code: T4 | Ambient Temperature T-Code: T4A |
| -40°F to +149°F (-40°C to +65°C) | -40°F to +131°F (-40°C to +55°C) |

ProSite LED Floodlight - UL / CSA

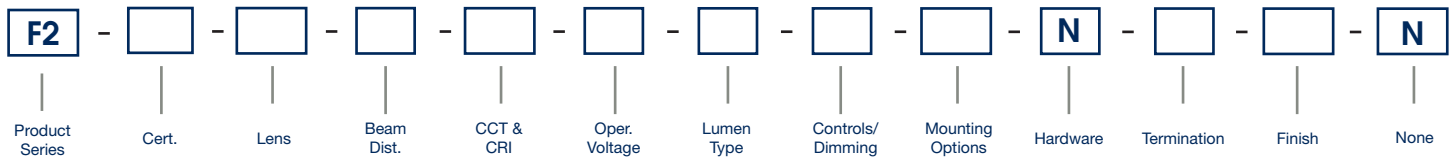
F2 Models



| Project Information | |
|---------------------|-------|
| Part Number: | |
| Project: | |
| Fixture Type: | Date: |

| Specifications |
|----------------|
| |
| |
| |

Ordering Information



| Product Series |
|--------------------------------|
| F2 ProSite Floodlight F2 Model |

| Certification |
|-----------------|
| D UL 844 |
| U UL 1598 / CSA |

| CCT & CRI |
|--------------------------------|
| B Cool White 5000K - 70 CRI |
| L Neutral White 4000K - 70 CRI |
| W Warm White 2700K - 80 CRI |

*Amber options available

| Controls/Dimming |
|---|
| D 0-10V / DALI as standard (DALI available up to 36klm models) |
| J Dialight IntelliLED Wireless Controls 2.4GHz (Available up to 36klm models) |
| S Receptacle with Shorting Cap (non-hazardous only) |

| Termination |
|---|
| U 6mm ² Terminal Block - Screw Down* |
| V 4mm ² Terminal Block - Push Down |

*The 6mm² terminals are only for the incoming power connections. The 6mm² terminals are single pole and cannot be used for 'through' wiring. The 6mm² terminals are not available for 347-480V models.

| Lens |
|---------------------------------|
| N Integrated PC Optic/Lens Only |
| 4 PC Lens Cover |
| 7 Glass Lens Cover |

| Operating Voltage |
|---|
| 2 120-277VAC / 120-250VDC |
| 5 347-480 VAC |
| 8 120-277VAC / 120-250VDC 10kV surge (non-hazardous only) |
| 9 347-480 VAC 10kV surge (non-hazardous only) |

| Mounting Options |
|---------------------------|
| E 316 SS Angled Bracket |
| F 316 SS Straight Bracket |

| Finish |
|---------------------|
| G Gray (RAL 7040) |
| Z Bronze (RAL 7022) |

| Beam Distribution |
|-------------------|
| 4 NEMA 4 |
| 6 NEMA 6 |
| 7 NEMA 7x6 |
| F Asymmetric |

| Lumen Type |
|-----------------|
| F 30,000 Lumens |
| H 36,000 Lumens |
| L 48,000 Lumens |
| N 60,000 Lumens |

| Hardware |
|-------------|
| N No Option |

| Battery |
|--------------|
| N No Options |

*For Asymmetric beam distribution either a PC or Glass lens cover must be included

DISCLAIMER. All product information provided is, to the best of Dialight's knowledge, accurate as of the date of publication. When ordering, refer to www.dialight.com for current versions of: (a) relevant product documentation (including the relevant product data sheets); (b) Dialight terms and conditions of sale; and, (c) the relevant product warranty. To the extent that any contract is deemed formed between Dialight and the purchaser of Dialight products and/or an end-user, versions of documents available at www.dialight.com as at the date of sale shall be the versions incorporated therein. In the event of any discrepancy between this document or information provided at www.dialight.com, the latter shall prevail.

Ordering Information

ProSite LED Floodlight - UL / CSA



| Industrial - UL 1598 / CSA | | | | | | | |
|---------------------------------------|----------------|---------|------|-------------------------|--------------------|---------------|-------------------|
| Part Number | Fixture Lumens | Wattage | lm/W | Voltage | CCT | Lens | Beam Distribution |
| Lumen Output Family - 36,000lm | | | | | | | |
| F2U-N7B2-HDEN-VGN | 37,500 | 234 | 160 | 120-277VAC / 120-250VDC | 5000k (cool white) | Integrated PC | NEMA 7x6 |
| F2U-N6B2-HDEN-VGN | 37,500 | 234 | 160 | 120-277VAC / 120-250VDC | 5000k (cool white) | Integrated PC | NEMA 6 |
| F2U-N4B2-HDEN-VGN | 37,500 | 234 | 160 | 120-277VAC / 120-250VDC | 5000k (cool white) | Integrated PC | NEMA 4 |
| F2U-N7B5-HDEN-VGN | 37,500 | 241 | 155 | 347-480VAC | 5000k (cool white) | Integrated PC | NEMA 7x6 |
| F2U-N6B5-HDEN-VGN | 37,500 | 241 | 155 | 347-480VAC | 5000k (cool white) | Integrated PC | NEMA 6 |
| F2U-N4B5-HDEN-VGN | 37,500 | 241 | 155 | 347-480VAC | 5000k (cool white) | Integrated PC | NEMA 4 |
| Lumen Output Family - 48,000lm | | | | | | | |
| F2U-N7B8-LDEN-VGN | 51,000 | 346 | 147 | 120-277VAC / 120-250VDC | 5000k (cool white) | Integrated PC | NEMA 7x6 |
| F2U-N6B8-LDEN-VGN | 51,000 | 346 | 147 | 120-277VAC / 120-250VDC | 5000k (cool white) | Integrated PC | NEMA 6 |
| F2U-N4B8-LDEN-VGN | 51,000 | 346 | 147 | 120-277VAC / 120-250VDC | 5000k (cool white) | Integrated PC | NEMA 4 |
| F2U-N7B9-LDEN-VGN | 51,000 | 357 | 143 | 347-480VAC | 5000k (cool white) | Integrated PC | NEMA 7x6 |
| F2U-N6B9-LDEN-VGN | 51,000 | 357 | 143 | 347-480VAC | 5000k (cool white) | Integrated PC | NEMA 6 |
| F2U-N4B9-LDEN-VGN | 51,000 | 357 | 143 | 347-480VAC | 5000k (cool white) | Integrated PC | NEMA 4 |
| Lumen Output Family - 60,000lm | | | | | | | |
| F2U-N7B8-NDEN-VGN | 65,000 | 484 | 134 | 120-277VAC / 120-250VDC | 5000k (cool white) | Integrated PC | NEMA 7x6 |
| F2U-N6B8-NDEN-VGN | 65,000 | 484 | 134 | 120-277VAC / 120-250VDC | 5000k (cool white) | Integrated PC | NEMA 6 |
| F2U-N4B8-NDEN-VGN | 65,000 | 484 | 134 | 120-277VAC / 120-250VDC | 5000k (cool white) | Integrated PC | NEMA 4 |
| F2U-7FB8-NDEN-VGN | 60,100 | 484 | 124 | 120-277VAC / 120-250VDC | 5000k (cool white) | Glass | Asymmetric |
| F2U-N7B9-NDEN-VGN | 65,000 | 499 | 130 | 347-480VAC | 5000k (cool white) | Integrated PC | NEMA 7x6 |
| F2U-N6B9-NDEN-VGN | 65,000 | 499 | 130 | 347-480VAC | 5000k (cool white) | Integrated PC | NEMA 6 |
| F2U-N4B9-NDEN-VGN | 65,000 | 499 | 130 | 347-480VAC | 5000k (cool white) | Integrated PC | NEMA 4 |
| F2U-7FB9-NDEN-VGN | 60,100 | 499 | 120 | 347-480VAC | 5000k (cool white) | Glass | Asymmetric |

All values typical unless otherwise stated (tolerance +/- 10%).

See ordering information chart for additional options.

Part numbers listed in **bold** are typically available in stock.

CCT - For 4000K 70 CRI change 6th character to 'L', for 2700K 80 CRI change 6th character to 'W'. Amber options available.

Lens - For glass lens cover change 4th character to '7', for PC lens cover change 4th character to a '4'.

Surge Protection - For 120-277VAC/120-250VDC 10kV surge protection change 7th character to '8', for 347-480VAC 10kV surge protection change 7th character to '9'.

PE Cell - For NEMA PE Cell Receptacle with shorting cap change 9th character to 'S'.

Mounting Bracket - For straight bracket change 10th character to 'F'.

WARNING - INSTALLATION & SECONDARY RETENTION. Use of any Dialight products without proper installation (including secondary retention / netting) and periodic inspections could cause severe injury or death. Dialight recommends that all installations should use secondary retention / netting (appropriate to the installation environment) where applicable. It is the exclusive responsibility of the contractor, installer and/or end-user to: (a) determine the suitability of the product for its intended application; and, (b) ensure that the product is safely installed (with secondary retention / netting where appropriate) and in compliance with all applicable laws and regulations. To the extent permissible under applicable laws, Dialight disclaims all liability for personal injury and/or other damage resulting from any dislodgment or other dislocation of its products.

Ordering Information

ProSite LED Floodlight - UL / CSA



| Hazardous - UL 844 CID2, CIID2, CIII | | | | | | | |
|---------------------------------------|----------------|---------|------|-------------------------|--------------------|-------|-------------------|
| Part Number | Fixture Lumens | Wattage | lm/W | Voltage | CCT | Lens | Beam Distribution |
| Lumen Output Family - 36,000lm | | | | | | | |
| F2D-77B2-HDEN-VGN | 35,400 | 234 | 151 | 120-277VAC / 120-250VDC | 5000k (cool white) | Glass | NEMA 7x6 |
| F2D-76B2-HDEN-VGN | 35,400 | 234 | 151 | 120-277VAC / 120-250VDC | 5000k (cool white) | Glass | NEMA 6 |
| F2D-74B2-HDEN-VGN | 35,400 | 234 | 151 | 120-277VAC / 120-250VDC | 5000k (cool white) | Glass | NEMA 4 |
| F2D-77B5-HDEN-VGN | 35,400 | 241 | 147 | 347-480VAC | 5000k (cool white) | Glass | NEMA 7x6 |
| F2D-76B5-HDEN-VGN | 35,400 | 241 | 147 | 347-480VAC | 5000k (cool white) | Glass | NEMA 6 |
| F2D-74B5-HDEN-VGN | 35,400 | 241 | 147 | 347-480VAC | 5000k (cool white) | Glass | NEMA 4 |
| Lumen Output Family - 48,000lm | | | | | | | |
| F2D-77B2-LDEN-VGN | 48,200 | 346 | 139 | 120-277VAC / 120-250VDC | 5000k (cool white) | Glass | NEMA 7x6 |
| F2D-76B2-LDEN-VGN | 48,200 | 346 | 139 | 120-277VAC / 120-250VDC | 5000k (cool white) | Glass | NEMA 6 |
| F2D-74B2-LDEN-VGN | 48,200 | 346 | 139 | 120-277VAC / 120-250VDC | 5000k (cool white) | Glass | NEMA 4 |
| F2D-77B5-LDEN-VGN | 48,200 | 357 | 135 | 347-480VAC | 5000k (cool white) | Glass | NEMA 7x6 |
| F2D-76B5-LDEN-VGN | 48,200 | 357 | 135 | 347-480VAC | 5000k (cool white) | Glass | NEMA 6 |
| F2D-74B5-LDEN-VGN | 48,200 | 357 | 135 | 347-480VAC | 5000k (cool white) | Glass | NEMA 4 |
| Lumen Output Family - 60,000lm | | | | | | | |
| F2D-77B2-NDEN-VGN | 61,400 | 484 | 127 | 120-277VAC / 120-250VDC | 5000k (cool white) | Glass | NEMA 7x6 |
| F2D-76B2-NDEN-VGN | 61,400 | 484 | 127 | 120-277VAC / 120-250VDC | 5000k (cool white) | Glass | NEMA 6 |
| F2D-74B2-NDEN-VGN | 61,400 | 484 | 127 | 120-277VAC / 120-250VDC | 5000k (cool white) | Glass | NEMA 4 |
| F2D-7FB2-NDEN-VGN | 60,100 | 484 | 124 | 120-277VAC / 120-250VDC | 5000k (cool white) | Glass | Asymmetric |
| F2D-77B5-NDEN-VGN | 61,400 | 499 | 123 | 347-480VAC | 5000k (cool white) | Glass | NEMA 7x6 |
| F2D-76B5-NDEN-VGN | 61,400 | 499 | 123 | 347-480VAC | 5000k (cool white) | Glass | NEMA 6 |
| F2D-74B5-NDEN-VGN | 61,400 | 499 | 123 | 347-480VAC | 5000k (cool white) | Glass | NEMA 4 |
| F2D-7FB5-NDEN-VGN | 60,100 | 499 | 120 | 347-480VAC | 5000k (cool white) | Glass | Asymmetric |

All values typical unless otherwise stated (tolerance +/- 10%).

See ordering information chart for additional options.

CCT - For 4000K 70 CRI change 6th character to 'L', for 2700K 80 CRI change 6th character to 'W'.

Lens - For PC lens cover change 4th character to a '4' (CID2, CIII only).

Mounting Bracket - For straight bracket change 10th character to 'F'.

DISCLAIMER. All product information provided is, to the best of Dialight's knowledge, accurate as of the date of publication. When ordering, refer to www.dialight.com for current versions of: (a) relevant product documentation (including the relevant product data sheets); (b) Dialight terms and conditions of sale; and, (c) the relevant product warranty. To the extent that any contract is deemed formed between Dialight and the purchaser of Dialight products and/or an end-user, versions of documents available at www.dialight.com as at the date of sale shall be the versions incorporated therein. In the event of any discrepancy between this document or information provided at www.dialight.com, the latter shall prevail.

Reliant™ LED High Bay

100-277 VAC, 347-480 VAC



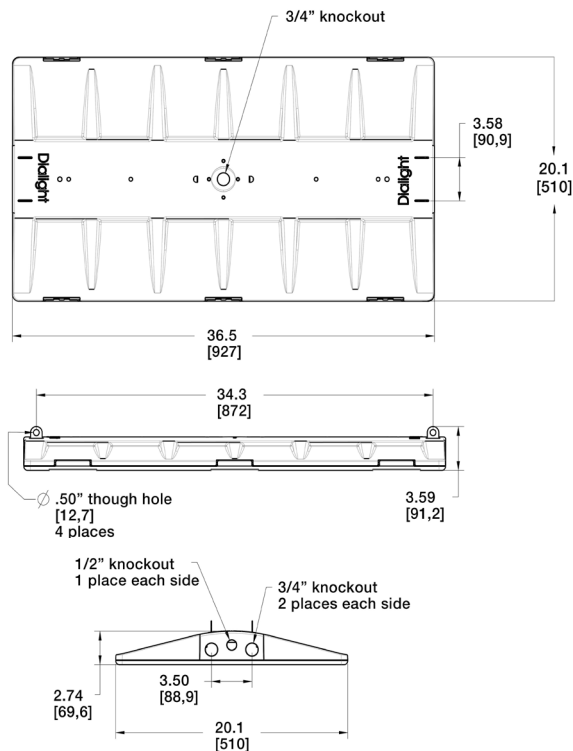
Certifications & Ratings

- UL 1598
- UL 8750
- CSA C22.2 No. 250.0
- Damp location
- L90 rated for >100,000 hours @ 25°C
- DLC Standard & Premium
- Title 24 compliant

Features & Benefits

- 10 year warranty
- Up to 160 lm/W
- 10% up-light accessory available (most models)
- Modular configuration
- Field replaceable parts available
- Controls enabled

*Awaiting validation or certification



Dimensions in inches [mm]

Mechanical Information:

Fixture weight:

Single unit: 18 lb* (polycarbonate, 120 VAC version)
 Tandem unit: 41 lb* (polycarbonate, 120 VAC version)

*Base models only - does not include add on accessories (surge, battery backup, sensor) - estimated additional 3 lb

Mounting:

Mounting: Cable/chain
 Pendant mount kit available (see mounting accessories section on page 17)

Mounting tabs: 2 per side

Cable entries: 3/4" knockout - 2 per side, 1 top
 1/2" knockout - 1 per side

Wiring: 8" of flying leads within wiring cavity

Materials:

Housing: Halogen free polycarbonate

Lens: Tempered glass, polycarbonate or acrylic

Mounting tabs: 304 stainless steel

Fixture color: Grey
 Consult factory for additional color options

Electrical Specifications:

Operating voltage: 100-277 VAC
 347-480 VAC

Operating temperature: -40°F to +131°F (-40°C to +55°C)
 Battery backup: +50°F to +95°F (10°C to +35°C)

Total system power consumption: See table

EMC: FCC Title 47, Subpart B, Section 15, Class A

Transient protection:
 100-277 VAC: 6kV (10kV optional)
 347-480 VAC: 10kV

THD: <20%

Power factor: >0.9

Variable dimming: 0-10 VDC

Dimming range: 100%-5%

Photometric Information:

CRI: 80
 Consult factory for more options available

CCT: 5000K (cool white)
 4000K (neutral white)
 Consult factory for more options available

All values typical unless otherwise stated (tolerance +/- 10%)

WARNING - INSTALLATION & SECONDARY RETENTION. Use of any Dialight products without proper installation (including secondary retention / netting) and periodic inspections could cause severe injury or death. Dialight recommends that all installations should use secondary retention / netting (appropriate to the installation environment) where applicable. It is the exclusive responsibility of the contractor, installer and/or end-user to: (a) determine the suitability of the product for its intended application; and, (b) ensure that the product is safely installed (with secondary retention / netting where appropriate) and in compliance with all applicable laws and regulations. To the extent permissible under applicable laws, Dialight disclaims all liability for personal injury and/or other damage resulting from any dislodgment or other dislocation of its products.

Ordering Information

Reliant™ LED High Bay - 100-277 VAC, 347-480 VAC



Most Popular Variants (consult factory for other options)

| Part Number | Form Factor | Fixture Lumens | Wattage | lm/W | Lens | Beam Distribution | Controls |
|--|---------------------|----------------|---------|------|------------------------|-------------------|------------------|
| 100-277 VAC Models | | | | | | | |
| RHU-5MC2-CDCN-NGN | Single | 16,200 | 123 | 132 | Diffused Polycarbonate | Medium | Dimming |
| RHU-5MC2-CFCN-NGN | Single | 16,200 | 123 | 132 | Diffused Polycarbonate | Medium | Occupancy Sensor |
| RHU-7MC2-CDCN-NGN | Single | 18,000 | 123 | 146 | Tempered Glass | Medium | Dimming |
| RHU-7MC2-CFCN-NGN | Single | 18,000 | 123 | 146 | Tempered Glass | Medium | Occupancy Sensor |
| RHU-5MC2-EDCN-NGN | Single | 21,100 | 163 | 129 | Diffused Polycarbonate | Medium | Dimming |
| RHU-7MC2-EDCN-NGN | Single | 23,520 | 163 | 144 | Tempered Glass | Medium | Dimming |
| RHU-5MC2-FDCN-NGN | Single | 26,400 | 199 | 133 | Diffused Polycarbonate | Medium | Dimming |
| RHU-7AC2-FDCN-NGN | Single | 29,400 | 199 | 148 | Tempered Glass | Aisle | Dimming |
| RHU-7MC2-FDCN-NGN | Single | 29,400 | 199 | 148 | Tempered Glass | Medium | Dimming |
| RHU-7MC2-FFCN-NGN | Single | 29,400 | 199 | 148 | Tempered Glass | Medium | Occupancy Sensor |
| RHU-5MC2-HDCN-NGN | Single | 31,500 | 239 | 132 | Diffused Polycarbonate | Medium | Dimming |
| RHU-7MC2-HDCN-NGN | Single | 34,500 | 239 | 144 | Tempered Glass | Medium | Dimming |
| RHU-7MC2-LDEN-NGN | Tandem Side By Side | 47,000 | 325 | 145 | Tempered Glass | Medium | Dimming |
| RHU-7MC2-LDDN-NGN | Tandem End To End | 47,000 | 325 | 145 | Tempered Glass | Medium | Dimming |
| RHU-7MC2-NDEN-NGN | Tandem Side By Side | 58,800 | 398 | 148 | Tempered Glass | Medium | Dimming |
| RHU-7MC2-NDDN-NGN | Tandem End To End | 58,800 | 398 | 148 | Tempered Glass | Medium | Dimming |
| RHU-7MC2-RDEN-NGN | Tandem Side By Side | 69,000 | 478 | 144 | Tempered Glass | Medium | Dimming |
| 100-277 VAC Battery Backup Models | | | | | | | |
| RHU-7MC2-CDCN-NGF | Single | 18,000 | 123 | 146 | Tempered Glass | Medium | Dimming |
| RHU-7MC2-FDCN-NGF | Single | 29,400 | 199 | 148 | Tempered Glass | Medium | Dimming |
| 347-480 VAC Models | | | | | | | |
| RHU-5MC9-CDCN-NGN | Single | 16,200 | 125 | 130 | Diffused Polycarbonate | Medium | Dimming |
| RHU-7MC9-EDCN-NGN | Single | 23,500 | 166 | 142 | Tempered Glass | Medium | Dimming |
| RHU-5MC9-FDCN-NGN | Single | 26,400 | 203 | 130 | Diffused Polycarbonate | Medium | Dimming |
| RHU-7MC9-FDCN-NGN | Single | 29,400 | 203 | 145 | Tempered Glass | Medium | Dimming |
| RHU-7MC9-HDCN-NGN | Single | 34,550 | 244 | 142 | Tempered Glass | Medium | Dimming |
| RHU-7MC9-LDEN-NGN | Tandem Side By Side | 47,000 | 331 | 142 | Tempered Glass | Medium | Dimming |
| RHU-7MC9-NDEN-NGN | Tandem Side By Side | 58,800 | 406 | 145 | Tempered Glass | Medium | Dimming |
| RHU-7MC9-RDEN-NGN | Tandem Side By Side | 69,100 | 487 | 142 | Tempered Glass | Medium | Dimming |
| RHU-7MC9-RDDN-NGN | Tandem End To End | 69,100 | 487 | 142 | Tempered Glass | Medium | Dimming |

All values typical unless otherwise stated (tolerance +/- 10%)

DISCLAIMER. All product information provided is, to the best of Dialight's knowledge, accurate as of the date of publication. When ordering, refer to www.dialight.com for current versions of: (a) relevant product documentation (including the relevant product data sheets); (b) Dialight terms and conditions of sale; and, (c) the relevant product warranty. To the extent that any contract is deemed formed between Dialight and the purchaser of Dialight products and/or an end-user, versions of documents available at www.dialight.com as at the date of sale shall be the versions incorporated therein. In the event of any discrepancy between this document or information provided at www.dialight.com, the latter shall prevail.

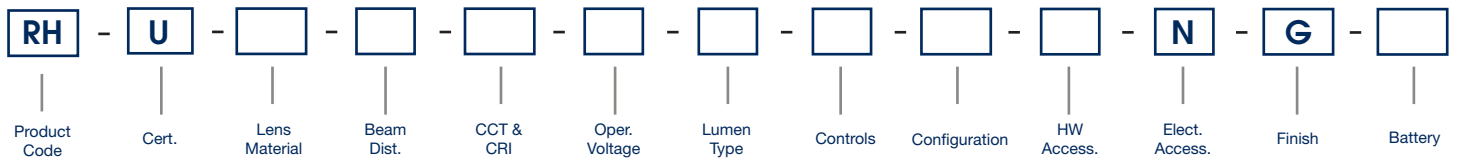
Ordering Information

Reliant™ LED High Bay - 100-277 VAC, 347-480 VAC



| Project Information | | | Specifications | | |
|---------------------|--|-------|----------------|--|--|
| Part Number: | | | | | |
| Project: | | | | | |
| Fixture Type: | | Date: | | | |

Ordering Information



| | | | |
|--|---|--|--|
| Product Code RH Reliant™ High Bay | Beam Distribution A Aisle M Medium P Aisle Distribution with 10% Up-Light (Factory Installed) Q Medium Distribution with 10% Up-Light (Factory Installed) <small>* Field installable up-light accessory available</small> | Lumen Type C 18,000 Lumens E 23,500 Lumens F 29,400 Lumens H 34,600 Lumens Tandem Models L 47,000 Lumens N 58,800 Lumens R 69,100 Lumens | Hardware Accessories N No Cord 2 6' 18-3 STOOV Power Cord 3 12' 18-3 STOOV Power Cord |
| Certification U UL 1598, CSA | CCT & CRI C Cool White 5000K - 80 CRI N Neutral White 4000K - 80 CRI | Controls D Dimming (0-10V) F Occupancy Sensor FSP-212 G Occupancy Sensor, Bluetooth FSP-321B J IntelliLED™ Wireless Controls | Electrical Accessories N No Option |
| Lens Material 2 Acrylic - Clear 4 Polycarbonate - Clear 5 Polycarbonate - Diffused 7 Tempered Glass - Clear | Operating Voltage 2 100-277 VAC, 6kV Surge Protection 8 100-277 VAC, 10kV Surge Protection 9 347-480 VAC 10kV Surge Protection | Configuration C Single D Tandem End to End E Tandem Side by Side | Finish G Gray Battery F Standard Battery Backup - 5W G Battery Backup - 10W N No Option |

| Notes |
|---|
| 1) Lumen type based on using a glass lens, medium optic, cool white, 80 CRI. See tables for lumens when changing options. |
| 2) For Lumen types L, N, R, use Mounting Option D - Tandem End to End or E - Tandem Side by Side. |
| 3) Up-light accessory available with Lumen Type - C, E, F, L, N models only. |
| 4) Hardware accessories not available on battery back-up models. |

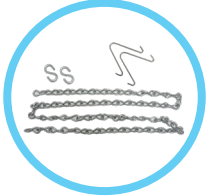
DISCLAIMER. All product information provided is, to the best of Dialight's knowledge, accurate as of the date of publication. When ordering, refer to www.dialight.com for current versions of: (a) relevant product documentation (including the relevant product data sheets); (b) Dialight terms and conditions of sale; and, (c) the relevant product warranty. To the extent that any contract is deemed formed between Dialight and the purchaser of Dialight products and/or an end-user, versions of documents available at www.dialight.com as at the date of sale shall be the versions incorporated therein. In the event of any discrepancy between this document or information provided at www.dialight.com, the latter shall prevail.

Mounting Accessories



RH-MCAB-5 (6' option)
RH-MCAB-10 (10' option)
RH-MCAB-15 (16' option)
RH-MCAB-20 (22' option)

- Wire rope hanging kit
- Includes electro-galvanized 2mm steel looped end wires (2x), wire locking devices (2x) & v-hangers (2x)



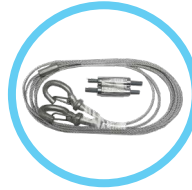
RH-CHAIN-3 (3' option)
RH-CHAIN-4 (4' option)
RH-CHAIN-6 (6' option)

- Jack chain hanging kit
- Includes #12 steel chains (2x), s-hooks (4x), and v-hangers (2x)
- For use with single configured models only



RH-PENDANT-BRKT

- 3/4" NPT pendant mount kit
- Includes low copper A360 aluminum die cast adapter and hardware
- For use with single configured models only



RH-YCAB-5 (6' option)
RH-YCAB-10 (10' option)
RH-YCAB-20 (22' option)

- Wire rope hanging kit
- Includes electro-galvanized 2mm steel y-hook wires (2x) and wire locking devices (2x)



RH-VHANGER

- 304 stainless steel v-hangers (2x)



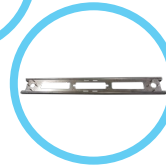
HBXCAB48

- 48" long stainless steel safety securing wire rope (2x)



RH-TANBRKT-SBS

- Side-by-side tandem kit
- Includes 304 stainless steel brackets, hardware, and wire harnesses

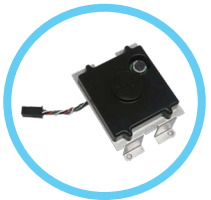


RH-TANBRKT-E2E

- End-to-end tandem kit
- Includes 304 stainless steel brackets, hardware, and wire harnesses

Additional Accessories

For use as replacement parts or for field customized projects.



RH-WIRELESS-1

- IntelliLED wireless control kit
- 2x required for tandem models



RH-WS-OCC-321

- WattStopper FSP-321 occupancy sensor kit
- 100-347 VAC (single phase) or 208/230/480 VAC (phase-to-phase) models
- Configurable and adjustable via Legrand's Bluetooth enable app.
- PIR (Passive Inferred) occupancy sensing / daylight harvesting
- Time delay: 5 min.-30 min.; default 15 minute
- Maximum coverage 100' diameter from 40' height



RH-WS-OCC-212

- WattStopper FSP-212 occupancy sensor kit
- 120/277 VAC models
- Adjustable via dipswitch on sensor
- PIR (Passive Inferred) occupancy sensing / daylight harvesting
- Time delay: 30 sec.-30 min.; default 15 minute
- Maximum coverage 100' diameter from 40' height



RH-UPL-CWC (CW)
RH-UPL-NWC (NW)

- Direct up-lighting kit - set of 2
- For use with 30K, 60K models



RH-UPL-CWB (CW)
RH-UPL-NWB (NW)

- Direct up-lighting kit - set of 2
- For use with 18k, 24k, 48K models



RH-10KV-277

- 100-277 VAC Littelfuse LSP10 surge protection kit

RH-10KV-480

- 347-480 VAC Littelfuse LSP10 surge protection kit



RH-EBU-800*

- 5W battery backup kit (~800 lumens)
- Fulham FHSCP-UNV-10P-L-SD driver
- Fulham FHSBATL3-1.5-SD battery pack

RH-EBU-1500*

- 10W battery backup kit (~1,500 lumens)
- Fulham FHSCP-UNV-10P-L-SD driver
- Fulham FHSBATL3-3-SD battery pack

*Factory installed power cord is not available with Battery Back-up option

DISCLAIMER. All product information provided is, to the best of Dialight's knowledge, accurate as of the date of publication. When ordering, refer to www.dialight.com for current versions of: (a) relevant product documentation (including the relevant product data sheets); (b) Dialight terms and conditions of sale; and, (c) the relevant product warranty. To the extent that any contract is deemed formed between Dialight and the purchaser of Dialight products and/or an end-user, versions of documents available at www.dialight.com as at the date of sale shall be the versions incorporated therein. In the event of any discrepancy between this document or information provided at www.dialight.com, the latter shall prevail.

Vigilant® LED High Bay - UL / CSA

Corded Model & Integrated Wiring Box Model

Corded Model



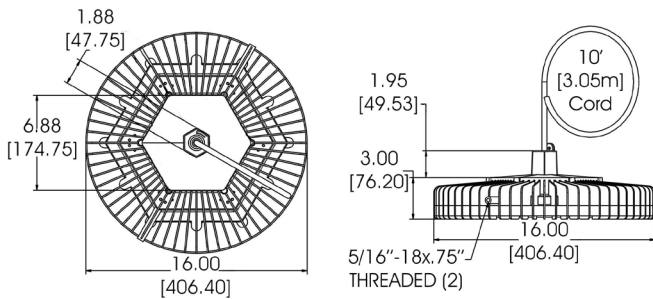
Mechanical Information:

Fixture weight:
18 lbs (8.16kg)

Shipping weight:
24 lbs (10.8kg)

Mounting:
3/4" NPT - top
Various Kits

Power Cord:
10' 18 AWG STOOO
Patent pending



Integrated Wiring Box Model



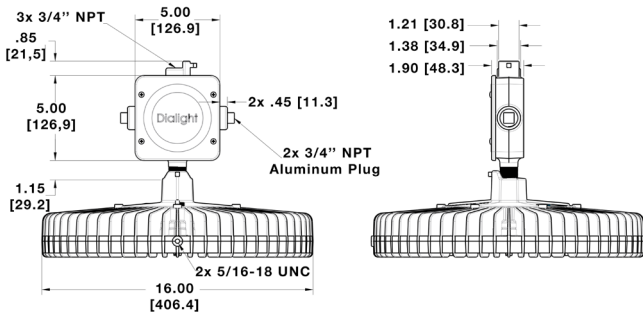
Mechanical Information:

Fixture weight:
20 lbs (9 kg)

Shipping weight:
26 lbs (12 kg)

Mounting:
3/4" NPT or Hook

Wiring Box Cable Entries:
(2x) 3/4" NPT



Dimensions in inches (mm)

Certifications & Ratings:

10 year warranty

UL 1598/A

UL 8750

IP66/67

CSA C22.2 No. 250.0-08

NEMA 4X

L70 rated for >150,000 hours

Variable Dimming:

Variable Dimming Control: 0-10 VDC

Dimming Range:

10 VDC = 100% light output

0 VDC = <10% light output

Occupancy Sensor:

Mounting Height:

Up to 40ft

Ingress Protection:

IP66

Electrical Specifications:

Operating Voltage:

100-277 VAC, 120-250 VDC

347-480 VAC

Total system power consumption:

See table

Operating Temp:

-40°F to +149°F (-40°C to +65°C)

Harmonics:

IEC 61000-3-2 Class C

Noise requirement /EMC:

FCC Title 47, Subpart B, Section 15, class A device. RF Immunity; 10V/m, 80MHz-1GHz

Transient protection:

100-277 VAC models tested to withstand up to 8kV/4kA per IEEE C62.41.

347-480 VAC models tested to withstand up to 6kV/3kA per IEEE C62.41

THD:

<20%

Power Factor:

>0.9

Fusing:

Internal

Construction:

Housing:

Copper free aluminum

Finish:

Superior dual coat finish

Sealed polyester topcoat

Chemical-resistant epoxy primer

Lens:

See table

Photometric Information:

CRI:

80

CCT:

5000K (cool white)

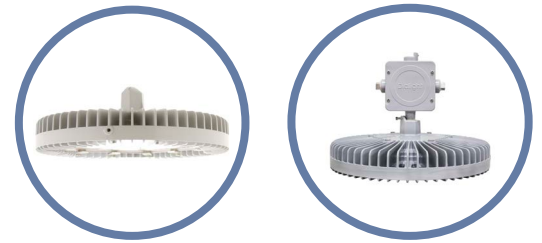
4000K (neutral white)

All values typical unless otherwise stated (tolerance +/- 10%)

WARNING - INSTALLATION & SECONDARY RETENTION. Use of any Dialight products without proper installation (including secondary retention / netting) and periodic inspections could cause severe injury or death. Dialight recommends that all installations should use secondary retention / netting (appropriate to the installation environment) where applicable. It is the exclusive responsibility of the contractor, installer and/or end-user to: (a) determine the suitability of the product for its intended application; and, (b) ensure that the product is safely installed (with secondary retention / netting where appropriate) and in compliance with all applicable laws and regulations. To the extent permissible under applicable laws, Dialight disclaims all liability for personal injury and/or other damage resulting from any dislodgment or other dislocation of its products.

Vigilant® LED High Bay - UL / CSA

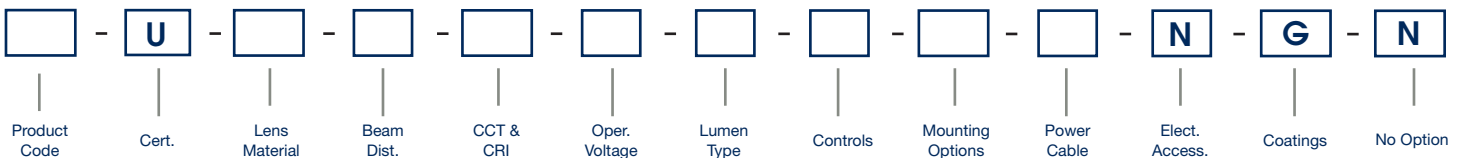
Corded & Integrated Wiring Box



| Project Information | |
|---------------------|-------|
| Part Number: | |
| Project: | |
| Fixture Type: | Date: |

| Specifications |
|----------------|
| |
| |
| |

Ordering Information



| Product Code |
|---|
| HC High Bay Integrated Pendant Wiring Box |
| HE High Bay 3/4" NPT |

| Beam Distribution |
|-------------------|
| E Oval |
| M Medium |
| N Narrow |
| W Wide |

| Lumen Type |
|-----------------|
| A 11,600 Lumens |
| B 14,900 Lumens |
| C 19,800 Lumens |
| E 27,500 Lumens |

| Power Cable |
|---------------------------------------|
| N No Cord (HC only) |
| W 10' [3 meter] Power Cable (HE only) |

| Certification |
|------------------|
| U UL 1598/A, CSA |

| CCT & CRI |
|--------------------------------|
| C Cool White 5000K - 80 CRI |
| N Neutral White 4000K - 80 CRI |

| Controls |
|------------------------------|
| D Dimming (0-10V) |
| N No Dimming (HE only) |
| M Occupancy Sensor (HC only) |

| Electrical Accessories |
|------------------------|
| N No Plug |

| Lens Material |
|---------------------------------------|
| 2 Acrylic - Clear (dry location only) |
| 4 Polycarbonate - Clear |
| 7 Glass - Clear |
| L Polycarbonate Dome - Diffused |
| R Power Wash Glass, Clear |

| Operating Voltage |
|-----------------------------|
| 2 100-277 VAC / 120-250 VDC |
| 5 347-480 VAC |

| Mounting Options |
|---|
| H Hook |
| N Pendant 3/4" NPT |
| P Pendant 3/4" NPT with Safety Retention Tabs |
| R Safety Retention Tabs with Hook |

| Coatings |
|-------------------|
| G Gray (RAL 7040) |

| Option |
|-------------|
| N No Option |

- Notes**
- 1) Lumen type based on using a glass lens. See tables for lumens when changing lenses.
 - 2) When ordering occupancy sensor, use prefix HC.
 - 3) When ordering option HC, Controls = (D) Dimming or (M) Occupancy Sensor.

DISCLAIMER. All product information provided is, to the best of Dialight's knowledge, accurate as of the date of publication. When ordering, refer to www.dialight.com for current versions of: (a) relevant product documentation (including the relevant product data sheets); (b) Dialight terms and conditions of sale; and, (c) the relevant product warranty. To the extent that any contract is deemed formed between Dialight and the purchaser of Dialight products and/or an end-user, versions of documents available at www.dialight.com as at the date of sale shall be the versions incorporated therein. In the event of any discrepancy between this document or information provided at www.dialight.com, the latter shall prevail.

Ordering Information

Vigilant® LED High Bay - Corded Model



Corded Model - 3/4" Conduit - 100-277 VAC / 120-250 VDC

| Part Number | Lumens | Wattage | lm/W | CCT | Lens | Beam Distribution | Hardware Options | Wiring |
|-------------------|--------|---------|------|-----|-------------------------------|-------------------|-----------------------------------|-----------------|
| HEU-7MC2-ENNW-NGN | 27,500 | 185 | 149 | CW | Glass - Clear | Medium | Pendant 3/4" NPT | 10' Power Cable |
| HEU-7MC2-ENPW-NGN | 27,500 | 185 | 149 | CW | Glass - Clear | Medium | Pendant 3/4" NPT with Safety Tabs | 10' Power Cable |
| HEU-7MC2-EDNW-NGN | 27,500 | 185 | 149 | CW | Glass - Clear | Medium | Pendant 3/4" NPT | 10' Power Cable |
| HEU-4MC2-ENNW-NGN | 27,200 | 185 | 147 | CW | Polycarbonate - Clear | Medium | Pendant 3/4" NPT | 10' Power Cable |
| HEU-2MC2-ENNW-NGN | 27,200 | 185 | 147 | CW | Acrylic - Clear | Medium | Pendant 3/4" NPT | 10' Power Cable |
| HEU-LMC2-ENNW-NGN | 27,000 | 185 | 146 | CW | Polycarbonate Dome - Diffused | Medium | Pendant 3/4" NPT | 10' Power Cable |
| HEU-2WC2-ENNW-NGN | 27,000 | 185 | 146 | CW | Acrylic - Clear | Wide | Pendant 3/4" NPT | 10' Power Cable |
| HEU-7MC2-CNNW-NGN | 19,800 | 130 | 152 | CW | Glass - Clear | Medium | Pendant 3/4" NPT | 10' Power Cable |
| HEU-7MC2-CNPW-NGN | 19,800 | 130 | 152 | CW | Glass - Clear | Medium | Pendant 3/4" NPT with Safety Tabs | 10' Power Cable |
| HEU-7MC2-CDNW-NGN | 19,800 | 130 | 152 | CW | Glass - Clear | Medium | Pendant 3/4" NPT | 10' Power Cable |
| HEU-4MC2-CNNW-NGN | 19,600 | 130 | 151 | CW | Polycarbonate - Clear | Medium | Pendant 3/4" NPT | 10' Power Cable |
| HEU-LMC2-CNNW-NGN | 19,400 | 130 | 149 | CW | Polycarbonate Dome - Diffused | Medium | Pendant 3/4" NPT | 10' Power Cable |
| HEU-7MN2-CNNW-NGN | 19,400 | 130 | 149 | NW | Glass - Clear | Medium | Pendant 3/4" NPT | 10' Power Cable |
| HEU-7MC2-BNNW-NGN | 14,900 | 100 | 149 | CW | Glass - Clear | Medium | Pendant 3/4" NPT | 10' Power Cable |
| HEU-4MC2-BNNW-NGN | 14,800 | 100 | 148 | CW | Polycarbonate - Clear | Medium | Pendant 3/4" NPT | 10' Power Cable |
| HEU-LMC2-BNPW-NGN | 14,600 | 100 | 146 | CW | Polycarbonate Dome - Diffused | Medium | Pendant 3/4" NPT with Safety Tabs | 10' Power Cable |
| HEU-LMC2-BNNW-NGN | 14,600 | 100 | 146 | CW | Polycarbonate Dome - Diffused | Medium | Pendant 3/4" NPT | 10' Power Cable |
| HEU-7MC2-ANNW-NGN | 11,600 | 80 | 145 | CW | Glass - Clear | Medium | Pendant 3/4" NPT | 10' Power Cable |
| HEU-4MC2-ANNW-NGN | 11,500 | 80 | 144 | CW | Polycarbonate - Clear | Medium | Pendant 3/4" NPT | 10' Power Cable |
| HEU-2MC2-ANNW-NGN | 11,500 | 80 | 144 | CW | Acrylic - Clear | Medium | Pendant 3/4" NPT | 10' Power Cable |
| HEU-LMC2-ANNW-NGN | 11,400 | 80 | 143 | CW | Polycarbonate Dome - Diffused | Medium | Pendant 3/4" NPT | 10' Power Cable |

Corded Model - 3/4" Conduit - 347-480 VAC

| | | | | | | | | |
|-------------------|--------|-----|-----|----|-------------------------------|--------|-----------------------------------|-----------------|
| HEU-7MC5-EDNW-NGN | 27,500 | 185 | 149 | CW | Glass - Clear | Medium | Pendant 3/4" NPT | 10' Power Cable |
| HEU-7MC5-ENNW-NGN | 27,500 | 185 | 149 | CW | Glass - Clear | Medium | Pendant 3/4" NPT | 10' Power Cable |
| HEU-7MC5-ENPW-NGN | 27,500 | 185 | 149 | CW | Glass - Clear | Medium | Pendant 3/4" NPT with Safety Tabs | 10' Power Cable |
| HEU-4MC5-ENPW-NGN | 27,200 | 185 | 147 | CW | Polycarbonate - Clear | Medium | Pendant 3/4" NPT with Safety Tabs | 10' Power Cable |
| HEU-7WC5-ENPW-NGN | 27,200 | 185 | 147 | CW | Glass - Clear | Wide | Pendant 3/4" NPT with Safety Tabs | 10' Power Cable |
| HEU-7EC5-ENNW-NGN | 25,900 | 185 | 140 | CW | Glass - Clear | Oval | Pendant 3/4" NPT | 10' Power Cable |
| HCU-4EC5-EMNW-NGN | 25,600 | 185 | 138 | CW | Polycarbonate - Clear | Oval | Pendant 3/4" NPT | 10' Power Cable |
| HEU-7MC5-CDNW-NGN | 19,800 | 130 | 152 | CW | Glass - Clear | Medium | Pendant 3/4" NPT | 10' Power Cable |
| HEU-7MC5-CNHW-NGN | 19,800 | 130 | 152 | CW | Glass - Clear | Medium | Hook | 10' Power Cable |
| HEU-7MC5-CNNW-NGN | 19,800 | 130 | 152 | CW | Glass - Clear | Medium | Pendant 3/4" NPT | 10' Power Cable |
| HEU-LMC5-CNNW-NGN | 19,400 | 130 | 149 | CW | Polycarbonate Dome - Diffused | Medium | Pendant 3/4" NPT | 10' Power Cable |
| HEU-7MC5-BNNW-NGN | 14,900 | 100 | 149 | CW | Glass - Clear | Medium | Pendant 3/4" NPT | 10' Power Cable |
| HEU-7MC5-ADNW-NGN | 11,600 | 80 | 145 | CW | Glass - Clear | Medium | Pendant 3/4" NPT | 10' Power Cable |
| HEU-7MC5-ANNW-NGN | 11,600 | 80 | 145 | CW | Glass - Clear | Medium | Pendant 3/4" NPT | 10' Power Cable |
| HEU-4MC5-ADNW-NGN | 11,500 | 80 | 144 | CW | Polycarbonate - Clear | Medium | Pendant 3/4" NPT | 10' Power Cable |
| HEU-LMC5-ANNW-NGN | 11,400 | 80 | 143 | CW | Polycarbonate Dome - Diffused | Medium | Pendant 3/4" NPT | 10' Power Cable |

All values typical unless otherwise stated (tolerance +/- 10%)

0-10V dimming option available for products in the above table. Replace the ninth character **N** with **D**. Ex: HEU-7MC2-ENNW-NGN becomes HEU-7MC2-EDNW-NGN.

Acrylic lens is dry location only.

DISCLAIMER. All product information provided is, to the best of Dialight's knowledge, accurate as of the date of publication. When ordering, refer to www.dialight.com for current versions of: (a) relevant product documentation (including the relevant product data sheets); (b) Dialight terms and conditions of sale; and, (c) the relevant product warranty. To the extent that any contract is deemed formed between Dialight and the purchaser of Dialight products and/or an end-user, versions of documents available at www.dialight.com as at the date of sale shall be the versions incorporated therein. In the event of any discrepancy between this document or information provided at www.dialight.com, the latter shall prevail.

Ordering Information

Vigilant® LED High Bay - Integrated Wiring Box Model



Integrated Wiring Box Model - 3/4" Conduit - 100-277 VAC / 120-250 VDC

| Part Number | Lumens | Wattage | lm/W | CCT | Lens | Beam Distribution | Hardware Options | Wiring |
|-------------------|--------|---------|------|-----|-------------------------------|-------------------|------------------|------------|
| HCU-7MC2-EDNN-NGN | 27,500 | 185 | 149 | CW | Glass - Clear | Medium | Wiring Box | Wiring Box |
| HCU-7MC2-EMNN-NGN | 27,500 | 185 | 149 | CW | Glass - Clear | Medium | Wiring Box | Wiring Box |
| HCU-LMC2-EMNN-NGN | 27,000 | 185 | 146 | CW | Polycarbonate Dome - Diffused | Medium | Wiring Box | Wiring Box |
| HCU-LMC2-EDNN-NGN | 27,000 | 185 | 146 | CW | Polycarbonate Dome - Diffused | Medium | Wiring Box | Wiring Box |
| HCU-7MC2-CDNN-NGN | 19,800 | 130 | 152 | CW | Glass - Clear | Medium | Wiring Box | Wiring Box |
| HCU-7MC2-CMNN-NGN | 19,800 | 130 | 152 | CW | Glass - Clear | Medium | Wiring Box | Wiring Box |
| HCU-LMC2-CDNN-NGN | 19,400 | 130 | 149 | CW | Polycarbonate Dome - Diffused | Medium | Wiring Box | Wiring Box |
| HCU-LMC2-CMNN-NGN | 19,400 | 130 | 149 | CW | Polycarbonate Dome - Diffused | Medium | Wiring Box | Wiring Box |
| HCU-7MC2-BDNN-NGN | 14,900 | 100 | 149 | CW | Glass - Clear | Medium | Wiring Box | Wiring Box |
| HCU-7MC2-BMNN-NGN | 14,900 | 100 | 149 | CW | Glass - Clear | Medium | Wiring Box | Wiring Box |
| HCU-LMC2-BDNN-NGN | 14,600 | 100 | 146 | CW | Polycarbonate Dome - Diffused | Medium | Wiring Box | Wiring Box |
| HCU-LMC2-BMNN-NGN | 14,600 | 100 | 146 | CW | Polycarbonate Dome - Diffused | Medium | Wiring Box | Wiring Box |
| HCU-7MC2-ADNN-NGN | 11,600 | 80 | 145 | CW | Glass - Clear | Medium | Wiring Box | Wiring Box |
| HCU-7MC2-AMNN-NGN | 11,600 | 80 | 145 | CW | Glass - Clear | Medium | Wiring Box | Wiring Box |
| HCU-LMC2-ADNN-NGN | 11,400 | 80 | 143 | CW | Polycarbonate Dome - Diffused | Medium | Wiring Box | Wiring Box |
| HCU-LMC2-AMNN-NGN | 11,400 | 80 | 143 | CW | Polycarbonate Dome - Diffused | Medium | Wiring Box | Wiring Box |

All values typical unless otherwise stated (tolerance +/- 10%)

DISCLAIMER. All product information provided is, to the best of Dialight's knowledge, accurate as of the date of publication. When ordering, refer to www.dialight.com for current versions of: (a) relevant product documentation (including the relevant product data sheets); (b) Dialight terms and conditions of sale; and, (c) the relevant product warranty. To the extent that any contract is deemed formed between Dialight and the purchaser of Dialight products and/or an end-user, versions of documents available at www.dialight.com as at the date of sale shall be the versions incorporated therein. In the event of any discrepancy between this document or information provided at www.dialight.com, the latter shall prevail.

Vigilant® LED High Bay - UL / CSA

Passive Power Supply Model - 347 & 480 VAC



Mechanical Information:

Fixture weight:
40 lbs (18 kg)

Shipping weight:
45 lbs (20 kg)

Mounting:
3/4" NPT - top
Various Kits

Power cord:
10" 18 AWG STOOW
Patent pending

Certifications & Ratings:

10 year warranty
UL 1598/A
UL 8750
IP66

CSA C22.2 No. 250.0-08
NEMA 4X
L70 rated for >150,000 hours

Electrical Specifications:

Operating Voltage: 347 or 480 VAC

Total system power consumption: See table

Operating Temp: -40°F to +149°F (-40°C to +65°C)

Harmonics: IEC 61000-3-2 Class C

Noise requirement /EMC: FCC Title 47, Subpart B, Section 15, class A device. RF Immunity; 10V/m, 80MHz-1GHz

Transient protection: Protection devices capable of handling up to 10kV. Tested for 10kV/2 ohm combination wave, as per IEEE C62.41, line-line and line ground

THD: <20%

Fusing: Internal

Construction:

Housing: Copper free aluminum

Finish: Superior dual coat finish
Sealed polyester topcoat
Chemical-resistant epoxy primer

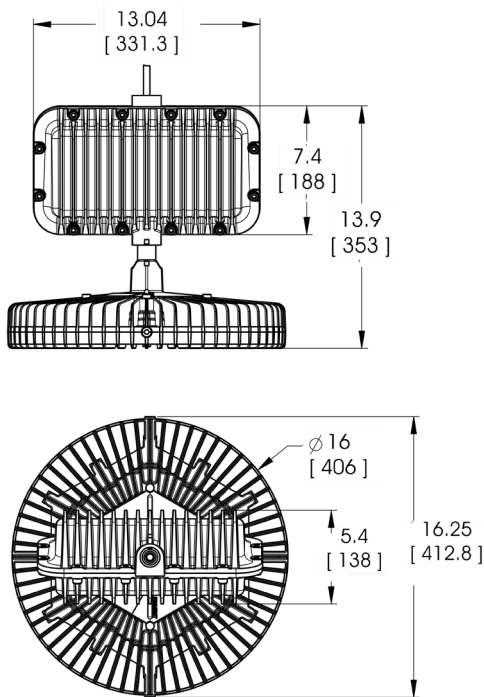
Lens: See table

Photometric Information:

CRI: 80

CCT: 5000K (cool white)
4000K (neutral white)

All values typical unless otherwise stated (tolerance +/- 10%)



Dimensions in inches (mm)

WARNING - INSTALLATION & SECONDARY RETENTION. Use of any Dialight products without proper installation (including secondary retention / netting) and periodic inspections could cause severe injury or death. Dialight recommends that all installations should use secondary retention / netting (appropriate to the installation environment) where applicable. It is the exclusive responsibility of the contractor, installer and/or end-user to: (a) determine the suitability of the product for its intended application; and, (b) ensure that the product is safely installed (with secondary retention / netting where appropriate) and in compliance with all applicable laws and regulations. To the extent permissible under applicable laws, Dialight disclaims all liability for personal injury and/or other damage resulting from any dislodgment or other dislocation of its products.

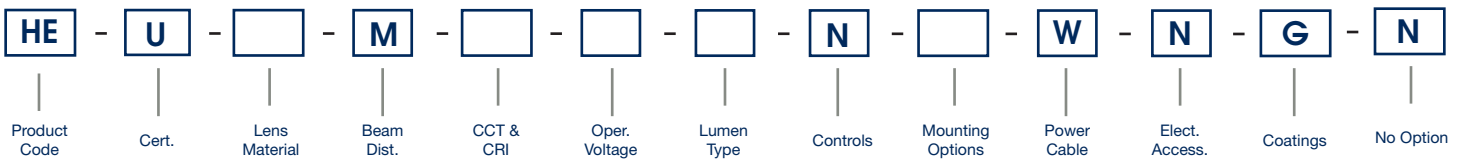
Vigilant® LED High Bay - UL / CSA

Passive Power Supply Model - 347 & 480 VAC



| Project Information | | Specifications | |
|---------------------|--|----------------|--|
| Part Number: | | | |
| Project: | | | |
| Fixture Type: | | Date: | |

Ordering Information



| | | | |
|---|---|---|---|
| Product Code HE High Bay | Beam Distribution M Medium | Lumen Type A 11,300 Lumens B 14,300 Lumens C 18,000 Lumens E 27,000 Lumens | Power Cable W 10' (3 meter) Power Cable |
| Certification U UL 1598/A, CSA | CCT & CRI C Cool White 5000K - 80 CRI N Neutral White 4000K - 80 CRI | Controls N No Option | Electrical Accessories N No Plug |
| Lens Material 7 Glass - Clear L Polycarbonate Dome - Diffused R Power Wash Glass, Clear | Operating Voltage P 480 VAC Passive Q 347 VAC Passive | Mounting Options H Hook N Pendant 3/4" NPT P Pendant 3/4" NPT with Safety Retention Tabs R Safety Retention Tabs with Hook | Coatings G Gray (RAL 7040) |
| | | | Option N No Option |

Notes

1) Lumen type based on using a glass lens. See tables for lumens when changing lenses.

DISCLAIMER. All product information provided is, to the best of Dialight's knowledge, accurate as of the date of publication. When ordering, refer to www.dialight.com for current versions of: (a) relevant product documentation (including the relevant product data sheets); (b) Dialight terms and conditions of sale; and, (c) the relevant product warranty. To the extent that any contract is deemed formed between Dialight and the purchaser of Dialight products and/or an end-user, versions of documents available at www.dialight.com as at the date of sale shall be the versions incorporated therein. In the event of any discrepancy between this document or information provided at www.dialight.com, the latter shall prevail.

Ordering Information

Vigilant® LED High Bay - Passive Power Supply Model



Passive Power Supply Model - 347 VAC

| Part Number | Lumens | Wattage | lm/W | CCT | Lens | Beam Distribution | Hardware Options | Wiring |
|-------------------|--------|---------|------|-----|---------------|-------------------|------------------|-----------------|
| HEU-7MCQ-ENNW-NGN | 27,000 | 206 | 131 | CW | Glass - Clear | Medium | Pendant 3/4" NPT | 10' Power Cable |
| HEU-7MCQ-CNNW-NGN | 18,000 | 136 | 132 | CW | Glass - Clear | Medium | Pendant 3/4" NPT | 10' Power Cable |
| HEU-7MCQ-BNNW-NGN | 14,300 | 100 | 143 | CW | Glass - Clear | Medium | Pendant 3/4" NPT | 10' Power Cable |
| HEU-7MCQ-ANNW-NGN | 11,300 | 81 | 140 | CW | Glass - Clear | Medium | Pendant 3/4" NPT | 10' Power Cable |

Passive Power Supply Model - 480 VAC

| | | | | | | | | |
|-------------------|--------|-----|-----|----|---------------|--------|------------------|-----------------|
| HEU-7MCP-ENNW-NGN | 27,000 | 206 | 131 | CW | Glass - Clear | Medium | Pendant 3/4" NPT | 10' Power Cable |
| HEU-7MCP-CNNW-NGN | 18,000 | 129 | 140 | CW | Glass - Clear | Medium | Pendant 3/4" NPT | 10' Power Cable |
| HEU-7MCP-BNNW-NGN | 14,300 | 116 | 123 | CW | Glass - Clear | Medium | Pendant 3/4" NPT | 10' Power Cable |
| HEU-7MCP-ANNW-NGN | 11,300 | 73 | 155 | CW | Glass - Clear | Medium | Pendant 3/4" NPT | 10' Power Cable |

All values typical unless otherwise stated (tolerance +/- 10%)

DISCLAIMER. All product information provided is, to the best of Dialight's knowledge, accurate as of the date of publication. When ordering, refer to www.dialight.com for current versions of: (a) relevant product documentation (including the relevant product data sheets); (b) Dialight terms and conditions of sale; and, (c) the relevant product warranty. To the extent that any contract is deemed formed between Dialight and the purchaser of Dialight products and/or an end-user, versions of documents available at www.dialight.com as at the date of sale shall be the versions incorporated therein. In the event of any discrepancy between this document or information provided at www.dialight.com, the latter shall prevail.

Vigilant® LED Low Bay - UL / CSA

Corded Model & Integrated Wiring Box Model

Corded Model



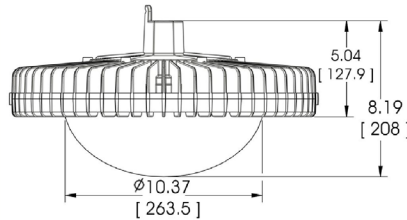
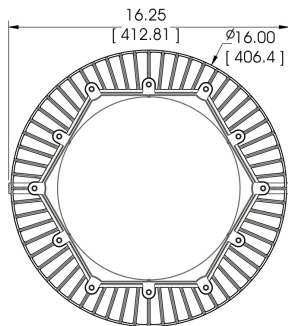
Mechanical Information:

Fixture weight:
18 lbs (8.16kg)

Shipping weight:
24 lbs (10.8kg)

Mounting:
3/4" NPT - top
Various Kits

Power Cord:
10' 18 AWG ST00W



Integrated Wiring Box Model



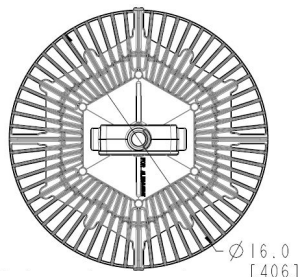
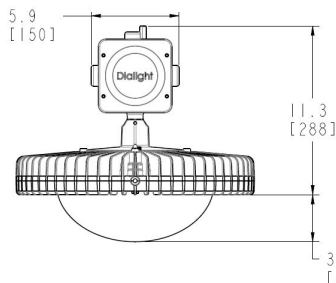
Mechanical Information:

Fixture weight:
20 lbs (9 kg)

Shipping weight:
26 lbs (12 kg)

Mounting:
3/4" NPT or Hook
Various Kits

Wiring Box Cable Entries:
(2x) 3/4" NPT



Certifications & Ratings:

10 year warranty
UL 1598/A
UL 8750
IP66/67
CSA C22.2 No. 250.0-08
NEMA 4X
L70 rated for >150,000 hours

Variable Dimming:

Variable Dimming Control: 0-10 VDC

Dimming Range: 10 VDC = 100% light output
0 VDC = <10% light output

Occupancy Sensor:

Mounting Height: Up to 40ft
Ingress Protection: IP66

Electrical Specifications:

Operating Voltage: 100-277 VAC (120-250 VDC)
347-480 VAC

Total system power consumption: See table

Operating Temp: -40°F to +149°F (-40°C to +65°C)

Harmonics: IEC 61000-3-2 Class C

Noise requirement /EMC: FCC Title 47, Subpart B, Section 15, class A device. RF Immunity; 10V/m, 80MHz-1GHz

Transient protection: 100-277 VAC models tested to withstand up to 8kV/4kA per IEEE C62.41
347-480VAC models tested to withstand up to 6kV/3kA per IEEE C62.41

THD: 6k-18k lm models: <20%
4k lm models: <30%

Power Factor: >0.9

Fusing: Internal

Construction:

Housing: Copper free aluminum

Finish: Superior dual coat finish
Sealed polyester topcoat
Chemical-resistant epoxy primer

Lens: See table

Photometric Information:

CRI: 80

CCT: 5000K (cool white)
4000K (neutral white)

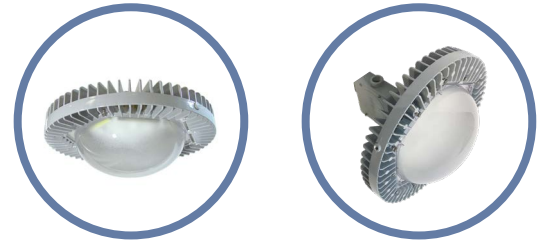
All values typical unless otherwise stated (tolerance +/- 10%)

Dimensions in inches (mm)

WARNING - INSTALLATION & SECONDARY RETENTION. Use of any Dialight products without proper installation (including secondary retention / netting) and periodic inspections could cause severe injury or death. Dialight recommends that all installations should use secondary retention / netting (appropriate to the installation environment) where applicable. It is the exclusive responsibility of the contractor, installer and/or end-user to: (a) determine the suitability of the product for its intended application; and, (b) ensure that the product is safely installed (with secondary retention / netting where appropriate) and in compliance with all applicable laws and regulations. To the extent permissible under applicable laws, Dialight disclaims all liability for personal injury and/or other damage resulting from any dislodgment or other dislocation of its products.

Vigilant® LED Low Bay - UL / CSA

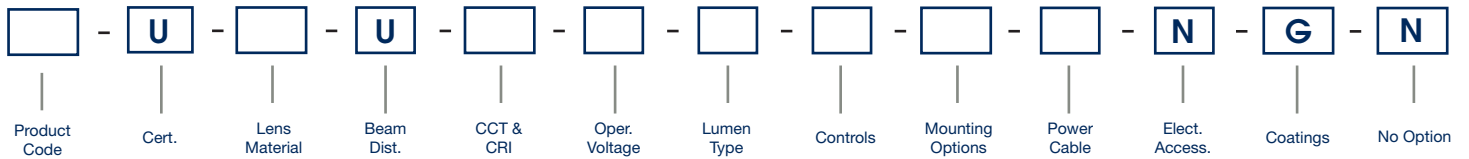
Corded & Integrated Wiring Box



| Project Information | |
|---------------------|-------|
| Part Number: | |
| Project: | |
| Fixture Type: | Date: |

| Specifications |
|----------------|
| |
| |
| |

Ordering Information



| Product Code | Beam Distribution | Lumen Type | Power Cable |
|--|--------------------------------|---|---------------------------------------|
| LC Low Bay Integrated Wiring Box | U Ultra Wide | 4 3,900 Lumens (100-277V only) | N No Cord (LC only) |
| LE Low Bay | | 6 6,400 Lumens (100-277V only) | W 10' [3 meter] Power Cable (LE only) |
| | | 9 9,200 Lumens | |
| | | B 13,200 Lumens | |
| | | C 17,200 Lumens | |
| Certification | CCT & CRI | Controls | Electrical Accessories |
| U UL 1598/A | C Cool White 5000K - 80 CRI | D Dimming (0-10V) | N No Plug |
| | N Neutral White 4000K - 80 CRI | M Occupancy Sensor (LC only) | |
| | | N No Option (LE only) | |
| Lens Material | Operating Voltage | Mounting Options | Coatings |
| 2 Acrylic - Clear (dry location only) | 2 100-277 VAC / 120-250 VDC | H Hook | G Gray (RAL 7040) |
| 3 Acrylic - Diffused (dry location only) | 5 347-480 VAC | N Pendant 3/4" NPT | |
| 4 Polycarbonate - Clear | | P Pendant 3/4" NPT with Safety Retention Tabs | |
| 5 Polycarbonate - Diffused | | R Safety Retention Tabs with Hook | |
| L Polycarbonate Dome - Diffused | | | Option |
| | | | N No Option |

| Notes |
|---|
| 1) Lumen type based on using a polycarbonate dome lens. See tables for lumens when changing lenses. |
| 2) Acrylic lens dry location only. |
| 3) When ordering occupancy sensor, use prefix LC. |

DISCLAIMER. All product information provided is, to the best of Dialight's knowledge, accurate as of the date of publication. When ordering, refer to www.dialight.com for current versions of: (a) relevant product documentation (including the relevant product data sheets); (b) Dialight terms and conditions of sale; and, (c) the relevant product warranty. To the extent that any contract is deemed formed between Dialight and the purchaser of Dialight products and/or an end-user, versions of documents available at www.dialight.com as at the date of sale shall be the versions incorporated therein. In the event of any discrepancy between this document or information provided at www.dialight.com, the latter shall prevail.

Ordering Information

Vigilant® LED Low Bay - Corded Model



| Corded Model - 3/4" Conduit - 100-277 VAC / 120-250 VDC | | | | | | | | |
|---|--------|---------|------|-----|-------------------------------|-------------------|-----------------------------------|-----------------|
| Part Number | Lumens | Wattage | lm/W | CCT | Lens | Beam Distribution | Hardware Options | Power Cable |
| LEU-LUC2-9NNW-NGN | 9,200 | 78 | 118 | CW | Polycarbonate Dome - Diffused | Ultra Wide | Pendant 3/4" NPT | 10' Power Cable |
| LEU-LUC2-9NPW-NGN | 9,200 | 78 | 118 | CW | Polycarbonate Dome - Diffused | Ultra Wide | Pendant 3/4" NPT with Safety Tabs | 10' Power Cable |
| LEU-LUC2-6NNW-NGN | 6,400 | 50 | 128 | CW | Polycarbonate Dome - Diffused | Ultra Wide | Pendant 3/4" NPT | 10' Power Cable |
| LEU-LUC2-4NNW-NGN | 3,900 | 38 | 103 | CW | Polycarbonate Dome - Diffused | Ultra Wide | Pendant 3/4" NPT | 10' Power Cable |
| Corded Model - 3/4" Conduit - 347-480 VAC | | | | | | | | |
| LEU-LUC5-9NNW-NGN | 9,200 | 78 | 118 | CW | Polycarbonate Dome - Diffused | Ultra Wide | Pendant 3/4" NPT | 10' Power Cable |
| LEU-LUC5-9DNW-NGN | 9,200 | 78 | 118 | CW | Polycarbonate Dome - Diffused | Ultra Wide | Pendant 3/4" NPT | 10' Power Cable |

All values typical unless otherwise stated (tolerance +/- 10%)

0-10V dimming option available for products in the above table. Replace the ninth character **N** with **D**. Ex: LEU-LUC2-9NNW-NGN becomes LEU-LUC2-9DNW-NGN.

Ordering Information

Vigilant® LED Low Bay - Integrated Wiring Box Model



| Integrated Wiring Box Model - 100-277 VAC / 120-250 VDC | | | | | | | | |
|---|--------|---------|------|-----|-------------------------------|-------------------|------------------|-------------|
| Part Number | Lumens | Wattage | lm/W | CCT | Lens | Beam Distribution | Hardware Options | Power Cable |
| LCU-LUC2-9DNW-NGN | 9,200 | 78 | 118 | CW | Polycarbonate Dome - Diffused | Ultra Wide | Wiring Box | Wiring Box |
| LCU-LUC2-6MNW-NGN | 6,400 | 50 | 128 | CW | Polycarbonate Dome - Diffused | Ultra Wide | Wiring Box | Wiring Box |
| LCU-LUC2-4MNW-NGN | 3,900 | 38 | 103 | CW | Polycarbonate Dome - Diffused | Ultra Wide | Wiring Box | Wiring Box |

All values typical unless otherwise stated (tolerance +/- 10%)

Specification sheets with additional options available, with extended lead times, are available on page 10

DISCLAIMER. All product information provided is, to the best of Dialight's knowledge, accurate as of the date of publication. When ordering, refer to www.dialight.com for current versions of: (a) relevant product documentation (including the relevant product data sheets); (b) Dialight terms and conditions of sale; and, (c) the relevant product warranty. To the extent that any contract is deemed formed between Dialight and the purchaser of Dialight products and/or an end-user, versions of documents available at www.dialight.com as at the date of sale shall be the versions incorporated therein. In the event of any discrepancy between this document or information provided at www.dialight.com, the latter shall prevail.

Vigilant® LED High Bay

Lumen Tables

Vigilant High Bay 100-277 VAC, 120-250 VDC and 347-480 VAC

| Output | Wattage | Lens | Lens Material | Lumens 5000K CCT | Lumens 4000K CCT | Lumens 2700K CCT |
|--------|---------|------|-----------------------------|------------------|------------------|------------------|
| E | 185 | 7, R | Glass | 27,500 | 26,900 | 23,400 |
| | 185 | 2, T | Acrylic | 27,200 | 26,600 | 23,100 |
| | 185 | 4, V | Polycarbonate | 27,200 | 26,600 | 23,100 |
| | 185 | 3, U | Acrylic Diffused | 27,000 | 26,400 | 23,000 |
| | 185 | 5, W | Polycarbonate Diffused | 27,000 | 26,400 | 23,000 |
| | 185 | L, Z | Polycarbonate Dome Diffused | 26,700 | 26,100 | 22,700 |
| | 185 | 8, S | Glass Diffused | 25,400 | 24,900 | 21,600 |
| C | 130 | 7, R | Glass | 19,800 | 19,400 | 16,800 |
| | 130 | 2, T | Acrylic | 19,600 | 19,200 | 16,700 |
| | 130 | 4, V | Polycarbonate | 19,600 | 19,200 | 16,700 |
| | 130 | 3, U | Acrylic Diffused | 19,400 | 19,000 | 16,500 |
| | 130 | 5, W | Polycarbonate Diffused | 19,400 | 19,000 | 16,500 |
| | 130 | L, Z | Polycarbonate Dome Diffused | 19,200 | 18,800 | 16,300 |
| | 130 | 8, S | Glass Diffused | 18,300 | 17,900 | 15,600 |
| B | 100 | 7, R | Glass | 14,900 | 14,600 | 12,700 |
| | 100 | 2, T | Acrylic | 14,800 | 14,500 | 12,600 |
| | 100 | 4, V | Polycarbonate | 14,800 | 14,500 | 12,600 |
| | 100 | 3, U | Acrylic Diffused | 14,600 | 14,300 | 12,400 |
| | 100 | 5, W | Polycarbonate Diffused | 14,600 | 14,300 | 12,400 |
| | 100 | L, Z | Polycarbonate Dome Diffused | 14,500 | 14,200 | 12,300 |
| | 100 | 8, S | Glass Diffused | 13,700 | 13,400 | 11,600 |
| A | 80 | 7, R | Glass | 11,600 | 11,400 | 9,900 |
| | 80 | 2, T | Acrylic | 11,500 | 11,300 | 9,800 |
| | 80 | 4, V | Polycarbonate | 11,500 | 11,300 | 9,800 |
| | 80 | 3, U | Acrylic Diffused | 11,400 | 11,200 | 9,700 |
| | 80 | 5, W | Polycarbonate Diffused | 11,400 | 11,200 | 9,700 |
| | 80 | L, Z | Polycarbonate Dome Diffused | 11,300 | 11,100 | 9,600 |
| | 80 | 8, S | Glass Diffused | 10,700 | 10,500 | 9,100 |

Passive Power Supply

| Output | Wattage 347 VAC | Wattage 480 VAC | Lens | Lens Material | Lumens 5000K CCT | Lumens 4000K CCT | Lumens 2700K CCT |
|--------|-----------------|-----------------|------|-----------------------------|------------------|------------------|------------------|
| E | 206 | 206 | 7, R | Glass | 27,000 | 26,400 | 23,000 |
| | 206 | 206 | L, Z | Polycarbonate Dome Diffused | 25,000 | 24,500 | 21,300 |
| | 206 | 206 | 8, S | Glass Diffused | 23,800 | 23,300 | 20,200 |
| C | 136 | 129 | 7, R | Glass | 18,000 | 17,600 | 15,300 |
| | 136 | 129 | L, Z | Polycarbonate Dome Diffused | 16,800 | 16,400 | 14,300 |
| | 136 | 129 | 8, S | Glass Diffused | 15,800 | 15,500 | 13,400 |
| B | 100 | 116 | 7, R | Glass | 14,300 | 14,000 | 12,200 |
| | 100 | 116 | L, Z | Polycarbonate Dome Diffused | 13,300 | 13,000 | 11,300 |
| | 100 | 116 | 8, S | Glass Diffused | 12,500 | 12,200 | 10,600 |
| A | 81 | 73 | 7, R | Glass | 11,300 | 11,100 | 9,600 |
| | 81 | 73 | L, Z | Polycarbonate Dome Diffused | 10,300 | 10,100 | 8,800 |
| | 81 | 73 | 8, S | Glass Diffused | 9,800 | 9,600 | 8,300 |

DISCLAIMER. All product information provided is, to the best of Dialight's knowledge, accurate as of the date of publication. When ordering, refer to www.dialight.com for current versions of: (a) relevant product documentation (including the relevant product data sheets); (b) Dialight terms and conditions of sale; and, (c) the relevant product warranty. To the extent that any contract is deemed formed between Dialight and the purchaser of Dialight products and/or an end-user, versions of documents available at www.dialight.com as at the date of sale shall be the versions incorporated therein. In the event of any discrepancy between this document or information provided at www.dialight.com, the latter shall prevail.

Vigilant® LED Low Bay

Lumen Tables

| Vigilant Low Bay 100-277 VAC, 120-250 VDC and 347-480 VAC | | | | | | |
|---|---------|------|------------------------|------------------|------------------|------------------|
| Output | Wattage | Lens | Lens Material | Lumens 5000K CCT | Lumens 4000K CCT | Lumens 2700K CCT |
| C | 150 | 2, T | Acrylic | 17,500 | 17,100 | 14,900 |
| | 150 | 4, V | PC | 17,400 | 17,000 | 14,800 |
| | 150 | L, Z | Poly Dome | 17,200 | 16,800 | 14,600 |
| | 150 | 5, W | Polycarbonate Diffused | 17,300 | 16,900 | 14,700 |
| | 150 | 3, U | Acrylic Diffused | 17,300 | 16,900 | 14,700 |
| B | 112 | 2, T | Acrylic | 13,400 | 13,100 | 11,400 |
| | 112 | 4, V | PC | 13,300 | 13,000 | 11,300 |
| | 112 | L, Z | Poly Dome | 13,200 | 12,900 | 11,200 |
| | 112 | 5, W | Polycarbonate Diffused | 13,200 | 12,900 | 11,200 |
| | 112 | 3, U | Acrylic Diffused | 13,200 | 12,900 | 11,200 |
| 9 | 78 | 2, T | Acrylic | 9,400 | 9,200 | 8,000 |
| | 78 | 4, V | PC | 9,300 | 9,100 | 7,900 |
| | 78 | L, Z | Poly Dome | 9,200 | 9,000 | 7,800 |
| | 78 | 5, W | Polycarbonate Diffused | 9,300 | 9,100 | 7,900 |
| | 78 | 3, U | Acrylic Diffused | 9,300 | 9,100 | 7,900 |
| 6 | 50 | 2, T | Acrylic | 6,500 | 6,400 | 5,500 |
| | 50 | 4, V | PC | 6,400 | 6,300 | 5,400 |
| | 50 | L, Z | Poly Dome | 6,400 | 6,300 | 5,400 |
| | 50 | 5, W | Polycarbonate Diffused | 6,400 | 6,300 | 5,400 |
| | 50 | 3, U | Acrylic Diffused | 6,400 | 6,300 | 5,400 |
| 4 | 38 | 2, T | Acrylic | 4,000 | 3,900 | 3,400 |
| | 38 | 4, V | PC | 4,000 | 3,900 | 3,400 |
| | 38 | L, Z | Poly Dome | 3,900 | 3,800 | 3,300 |
| | 38 | 5, W | Polycarbonate Diffused | 3,900 | 3,800 | 3,300 |
| | 38 | 3, U | Acrylic Diffused | 3,900 | 3,800 | 3,300 |

DISCLAIMER. All product information provided is, to the best of Dialight's knowledge, accurate as of the date of publication. When ordering, refer to www.dialight.com for current versions of: (a) relevant product documentation (including the relevant product data sheets); (b) Dialight terms and conditions of sale; and, (c) the relevant product warranty. To the extent that any contract is deemed formed between Dialight and the purchaser of Dialight products and/or an end-user, versions of documents available at www.dialight.com as at the date of sale shall be the versions incorporated therein. In the event of any discrepancy between this document or information provided at www.dialight.com, the latter shall prevail.

Vigilant® LED High Bay / Low Bay 100-277 VAC

Mounting Accessories



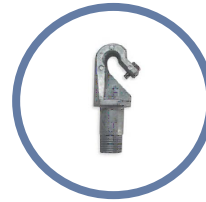
HBXW3-SSL-316
HBXW3-SSL-304

- Stainless steel bracket



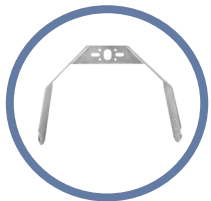
HBXCAB48

- 48" long stainless steel safety rope (for use with safety bracket)



HBXH

- Hook

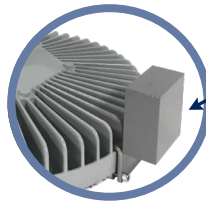


HBXW3-SSL-304FT

- 304 stainless steel forward throw bracket

HBXW3-SSL-316FT

- 316 Stainless steel forward throw bracket



HBXCBOCCFSPG
HBXCBOCCFSPK
(Counter Balance Occ)

- Powder Coated Steel
- Stainless Steel



HBXL

- Loop



HBXW2

- Swivel bracket and cable gland

HBXW3

- Swivel bracket



HBXSB316

- Stainless Steel (4x)



HBXCG

- Cable gland



HBXCU

- Ceiling / wall mount



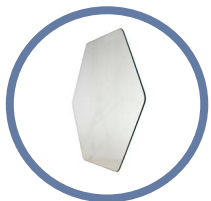
LBXLENP

- Polycarbonate dome lens replacement



HBXDUALBRCKT

- Dual bracket



HBXLENGC

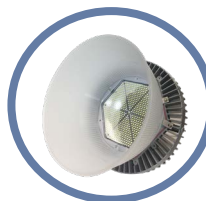
- Clear tempered glass

HBXLENPC

- Polycarbonate lens, clear

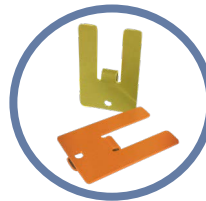
HBXLENAC

- Acrylic lens, clear



HBXREF16

- Acrylic reflector



HBXFLAG-Y
HBXFLAG-O

- Yellow Aluminum
- Orange Aluminum
- Comes with 10 indicator flags



HBXLENPD

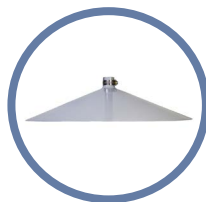
- Polycarbonate lens, diffused

HBXLENAD

- Acrylic lens, diffused

HBXLENGD

- Diffused tempered glass



HBXDC

- 21° slope dust cover

HBXDC45

- 45° slope dust cover

HBXDC60

- 60° slope dust cover



HBXFSIRREMOTE

- Remote for occupancy sensor

Notes

- 1) HBXLENGC Not applicable for Low Bay (Ultra Wide)

DISCLAIMER. All product information provided is, to the best of Dialight's knowledge, accurate as of the date of publication. When ordering, refer to www.dialight.com for current versions of: (a) relevant product documentation (including the relevant product data sheets); (b) Dialight terms and conditions of sale; and, (c) the relevant product warranty. To the extent that any contract is deemed formed between Dialight and the purchaser of Dialight products and/or an end-user, versions of documents available at www.dialight.com as at the date of sale shall be the versions incorporated therein. In the event of any discrepancy between this document or information provided at www.dialight.com, the latter shall prevail.

Vigilant® LED High Bay 347V & 480V Passive - UL / CSA



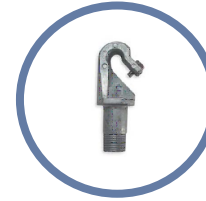
HLXW2-SS

- 316 stainless steel swivel bracket and cable gland
- HLXW3-SS**
- 316 Stainless Steel swivel bracket



HBXW3-SSL-316FT
HBXW3-SSL-304FT

- Stainless steel forward throw bracket



HBXH

- Hook



HBXCU

- Ceiling / wall mount



HBXCG

- Cable gland



HBXL

- Loop



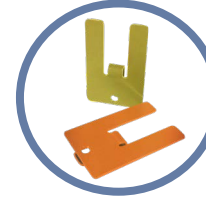
HBXSB316

- Stainless Steel (4x)



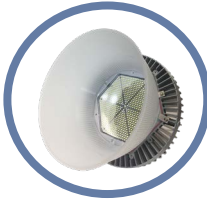
HBXCAB48

- 48" long stainless steel safety rope (for use with safety bracket)



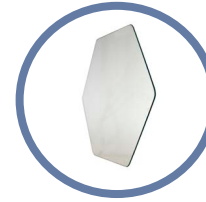
HBXFLAG-Y
HBXFLAG-O

- Yellow Aluminum
- Orange Aluminum



HBXREF16

- Acrylic reflector



HBXLENGC

- Clear tempered glass

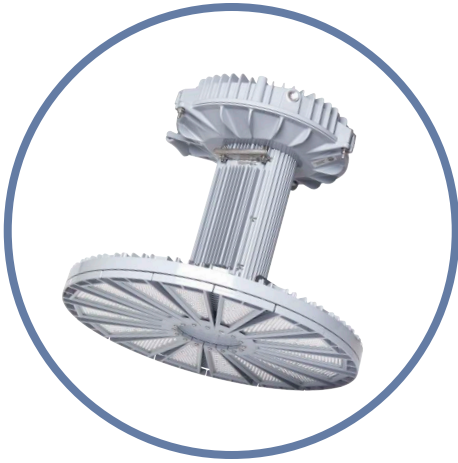
LBXLENP

- Polycarbonate dome lens

DISCLAIMER. All product information provided is, to the best of Dialight's knowledge, accurate as of the date of publication. When ordering, refer to www.dialight.com for current versions of: (a) relevant product documentation (including the relevant product data sheets); (b) Dialight terms and conditions of sale; and, (c) the relevant product warranty. To the extent that any contract is deemed formed between Dialight and the purchaser of Dialight products and/or an end-user, versions of documents available at www.dialight.com as at the date of sale shall be the versions incorporated therein. In the event of any discrepancy between this document or information provided at www.dialight.com, the latter shall prevail.

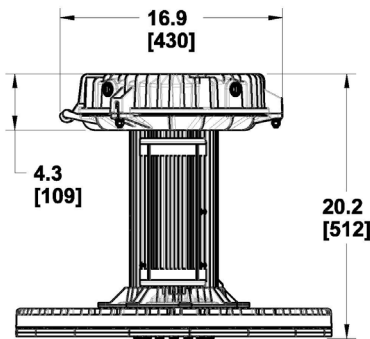
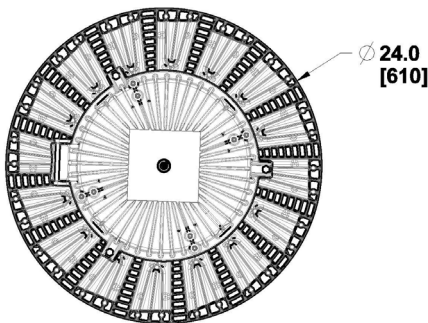
Vigilant® LED High Output High Bay

Standard Models



Certifications & Ratings

- 10 year warranty
- UL 1598/A (wet locations)
- CSA C22.2 No. 250 (wet locations)
- IP66/67
- NEMA 4X
- Factory installed secondary retention bracket, optional safety cable accessory available



Dimensions in inches [mm]

WARNING - INSTALLATION & SECONDARY RETENTION. Use of any Dialight products without proper installation (including secondary retention / netting) and periodic inspections could cause severe injury or death. Dialight recommends that all installations should use secondary retention / netting (appropriate to the installation environment) where applicable. It is the exclusive responsibility of the contractor, installer and/or end-user to: (a) determine the suitability of the product for its intended application; and, (b) ensure that the product is safely installed (with secondary retention / netting where appropriate) and in compliance with all applicable laws and regulations. To the extent permissible under applicable laws, Dialight disclaims all liability for personal injury and/or other damage resulting from any dislodgment or other dislocation of its products.

Mechanical Information:

Weight (120-277 VAC): 63 lbs (28.6 kg)
 Wire box: 7 lbs (3.2 kg)
 Light fixture: 56 lbs (25.4 kg)

Weight (347/480 VAC): 79 lbs (35.8 kg)
 Wire box: 23 lbs (10.4 kg)
 Light fixture: 56 lbs (25.4 kg)

Shipping weight:
 120-277 VAC models: 82.6 lbs (37.5 kg)
 347/480 VAC models: 98.6 lbs (44.7 kg)

Note that the wire box is installed separately from the housing. This allows single installer for fixtures.

120-277 VAC wire box: 7 lbs (3.2 kg) [mount first]
 347/480 VAC wire box: 23 lbs (10.4 kg) [mount first]
 Light fixture (base): 56 lbs (25.4 kg) [mount last]

Mounting Entries: (1) 3/4" NPT - top
 (4) 3/4" NPT - sides
 Secondary retention standard

Variable Dimming Option:

Variable Dimming Cable: Two conductor cable

Power Cable: Three conductor cable

Variable Dimming Control: 0-10 VDC

Dimming Range: 10 VDC = 100% light output
 0 VDC = 5% light output

Electrical Specifications:

Operating Voltage: 120-277 VAC, 50/60Hz
 347/480 VAC, 50/60Hz

Total system power consumption: See table

Operating Temp: -40°F to +149°F (-40°C to +65°C)

Harmonics: IEC 61000-3-2

Noise requirement /EMC: FCC Title 47, Subpart B, Section 15, class A device. RF Immunity; 10V/m, 80MHz-1GHz

Transient protection: 6kV/3kA combination wave, as per IEEE C62.41, line-line and line-ground

THD: < 20%

Power Factor: > 0.9

Construction:

Housing: Copper free aluminum

Finish: Superior dual coat finish
 - Sealed polyester topcoat
 - Chemical-resistant epoxy primer

Lens: Tempered glass, Acrylic, Polycarbonate

Photometric Information:

CRI: 80

CCT: 5000K (cool white)
 4000K (neutral white)

All values typical unless otherwise stated (tolerance +/- 10%)

Ordering Information

Vigilant® LED High Output High Bay - Standard Models



| Part Number | Fixture Lumen | Watt | lm/W | Voltage | CCT | CRI | Lens | Beam Distribution | Controls |
|---|---------------|------|------|-------------|--------------------|-----|----------------|-------------------|----------|
| Standard Models - 120-277 VAC Models | | | | | | | | | |
| H6U-7MC2-RDNN-NGN | 72,000 | 484 | 149 | 120-277 VAC | 5000K (cool white) | 80 | Tempered Glass | Medium | Dimming |
| H6U-7NC2-RDNN-NGN | 72,000 | 484 | 149 | 120-277 VAC | 5000K (cool white) | 80 | Tempered Glass | Narrow | Dimming |
| H6U-4MC2-RDNN-NGN | 69,100 | 484 | 143 | 120-277 VAC | 5000K (cool white) | 80 | Polycarbonate | Medium | Dimming |
| H6U-4NC2-RDNN-NGN | 69,100 | 484 | 143 | 120-277 VAC | 5000K (cool white) | 80 | Polycarbonate | Narrow | Dimming |
| H6U-2MC2-RDNN-NGN | 67,700 | 484 | 140 | 120-277 VAC | 5000K (cool white) | 80 | Acrylic | Medium | Dimming |
| H6U-2NC2-RDNN-NGN | 67,700 | 484 | 140 | 120-277 VAC | 5000K (cool white) | 80 | Acrylic | Narrow | Dimming |
| H6U-7MC2-NDNN-NGN | 60,000 | 414 | 145 | 120-277 VAC | 5000K (cool white) | 80 | Tempered Glass | Medium | Dimming |
| H6U-7NC2-NDNN-NGN | 60,000 | 414 | 145 | 120-277 VAC | 5000K (cool white) | 80 | Tempered Glass | Narrow | Dimming |
| H6U-4MC2-NDNN-NGN | 57,600 | 414 | 139 | 120-277 VAC | 5000K (cool white) | 80 | Polycarbonate | Medium | Dimming |
| H6U-4NC2-NDNN-NGN | 57,600 | 414 | 139 | 120-277 VAC | 5000K (cool white) | 80 | Polycarbonate | Narrow | Dimming |
| H6U-2MC2-NDNN-NGN | 56,400 | 414 | 136 | 120-277 VAC | 5000K (cool white) | 80 | Acrylic | Medium | Dimming |
| H6U-2NC2-NDNN-NGN | 56,400 | 414 | 136 | 120-277 VAC | 5000K (cool white) | 80 | Acrylic | Narrow | Dimming |
| H6U-7MC2-KDNN-NGN | 45,000 | 309 | 146 | 120-277 VAC | 5000K (cool white) | 80 | Tempered Glass | Medium | Dimming |
| H6U-7NC2-KDNN-NGN | 45,000 | 309 | 146 | 120-277 VAC | 5000K (cool white) | 80 | Tempered Glass | Narrow | Dimming |
| H6U-4MC2-KDNN-NGN | 43,200 | 309 | 140 | 120-277 VAC | 5000K (cool white) | 80 | Polycarbonate | Medium | Dimming |
| H6U-4NC2-KDNN-NGN | 43,200 | 309 | 140 | 120-277 VAC | 5000K (cool white) | 80 | Polycarbonate | Narrow | Dimming |
| H6U-2MC2-KDNN-NGN | 42,300 | 309 | 137 | 120-277 VAC | 5000K (cool white) | 80 | Acrylic | Medium | Dimming |
| H6U-2NC2-KDNN-NGN | 42,300 | 309 | 137 | 120-277 VAC | 5000K (cool white) | 80 | Acrylic | Narrow | Dimming |
| Standard Models - 347 VAC Models | | | | | | | | | |
| H6U-7MCB-RDNN-NGN | 72,000 | 506 | 142 | 347 VAC | 5000K (cool white) | 80 | Tempered Glass | Medium | Dimming |
| H6U-7NCB-RDNN-NGN | 72,000 | 506 | 142 | 347 VAC | 5000K (cool white) | 80 | Tempered Glass | Narrow | Dimming |
| H6U-4MCB-RDNN-NGN | 69,100 | 506 | 137 | 347 VAC | 5000K (cool white) | 80 | Polycarbonate | Medium | Dimming |
| H6U-4NCB-RDNN-NGN | 69,100 | 506 | 137 | 347 VAC | 5000K (cool white) | 80 | Polycarbonate | Narrow | Dimming |
| H6U-2MCB-RDNN-NGN | 67,700 | 506 | 134 | 347 VAC | 5000K (cool white) | 80 | Acrylic | Medium | Dimming |
| H6U-2NCB-RDNN-NGN | 67,700 | 506 | 134 | 347 VAC | 5000K (cool white) | 80 | Acrylic | Narrow | Dimming |
| H6U-7MCB-NDNN-NGN | 60,000 | 431 | 139 | 347 VAC | 5000K (cool white) | 80 | Tempered Glass | Medium | Dimming |
| H6U-7NCB-NDNN-NGN | 60,000 | 431 | 139 | 347 VAC | 5000K (cool white) | 80 | Tempered Glass | Narrow | Dimming |
| H6U-4MCB-NDNN-NGN | 57,600 | 431 | 134 | 347 VAC | 5000K (cool white) | 80 | Polycarbonate | Medium | Dimming |
| H6U-4NCB-NDNN-NGN | 57,600 | 431 | 134 | 347 VAC | 5000K (cool white) | 80 | Polycarbonate | Narrow | Dimming |
| H6U-2MCB-NDNN-NGN | 56,400 | 431 | 131 | 347 VAC | 5000K (cool white) | 80 | Acrylic | Medium | Dimming |
| H6U-2NCB-NDNN-NGN | 56,400 | 431 | 131 | 347 VAC | 5000K (cool white) | 80 | Acrylic | Narrow | Dimming |
| H6U-7MCB-KDNN-NGN | 45,000 | 324 | 139 | 347 VAC | 5000K (cool white) | 80 | Tempered Glass | Medium | Dimming |
| H6U-7NCB-KDNN-NGN | 45,000 | 324 | 139 | 347 VAC | 5000K (cool white) | 80 | Tempered Glass | Narrow | Dimming |
| H6U-4MCB-KDNN-NGN | 43,200 | 324 | 133 | 347 VAC | 5000K (cool white) | 80 | Polycarbonate | Medium | Dimming |
| H6U-4NCB-KDNN-NGN | 43,200 | 324 | 133 | 347 VAC | 5000K (cool white) | 80 | Polycarbonate | Narrow | Dimming |
| H6U-2MCB-KDNN-NGN | 42,300 | 324 | 131 | 347 VAC | 5000K (cool white) | 80 | Acrylic | Medium | Dimming |
| H6U-2NCB-KDNN-NGN | 42,300 | 324 | 131 | 347 VAC | 5000K (cool white) | 80 | Acrylic | Narrow | Dimming |

All values typical unless otherwise stated (tolerance +/- 10%).

Neutral white color temperature is available for products in the above table. Replace the sixth character **C** with **N**. Ex: H6U-7**C**Q2-RDNN-NGN becomes H6U-7**N**Q2-RDNN-NGN.

DISCLAIMER. All product information provided is, to the best of Dialight's knowledge, accurate as of the date of publication. When ordering, refer to www.dialight.com for current versions of: (a) relevant product documentation (including the relevant product data sheets); (b) Dialight terms and conditions of sale; and, (c) the relevant product warranty. To the extent that any contract is deemed formed between Dialight and the purchaser of Dialight products and/or an end-user, versions of documents available at www.dialight.com as at the date of sale shall be the versions incorporated therein. In the event of any discrepancy between this document or information provided at www.dialight.com, the latter shall prevail.

Ordering Information

Vigilant® LED High Output High Bay - Standard Models



| Part Number | Fixture Lumen | Watt | lm/W | Voltage | CCT | CRI | Lens | Beam Distribution | Controls |
|---|---------------|------|------|---------|--------------------|-----|----------------|-------------------|----------|
| Standard Models - 480 VAC Models | | | | | | | | | |
| H6U-7MCD-RDNN-NGN | 72,000 | 506 | 142 | 480 VAC | 5000K (cool white) | 80 | Tempered Glass | Medium | Dimming |
| H6U-7NCD-RDNN-NGN | 72,000 | 506 | 142 | 480 VAC | 5000K (cool white) | 80 | Tempered Glass | Narrow | Dimming |
| H6U-4MCD-RDNN-NGN | 69,100 | 506 | 137 | 480 VAC | 5000K (cool white) | 80 | Polycarbonate | Medium | Dimming |
| H6U-4NCD-RDNN-NGN | 69,100 | 506 | 137 | 480 VAC | 5000K (cool white) | 80 | Polycarbonate | Narrow | Dimming |
| H6U-2MCD-RDNN-NGN | 67,700 | 506 | 134 | 480 VAC | 5000K (cool white) | 80 | Acrylic | Medium | Dimming |
| H6U-2NCD-RDNN-NGN | 67,700 | 506 | 134 | 480 VAC | 5000K (cool white) | 80 | Acrylic | Narrow | Dimming |
| H6U-7MCD-NDNN-NGN | 60,000 | 431 | 139 | 480 VAC | 5000K (cool white) | 80 | Tempered Glass | Medium | Dimming |
| H6U-7NCD-NDNN-NGN | 60,000 | 431 | 139 | 480 VAC | 5000K (cool white) | 80 | Tempered Glass | Narrow | Dimming |
| H6U-4MCD-NDNN-NGN | 57,600 | 431 | 134 | 480 VAC | 5000K (cool white) | 80 | Polycarbonate | Medium | Dimming |
| H6U-4NCD-NDNN-NGN | 57,600 | 431 | 134 | 480 VAC | 5000K (cool white) | 80 | Polycarbonate | Narrow | Dimming |
| H6U-2MCD-NDNN-NGN | 56,400 | 431 | 131 | 480 VAC | 5000K (cool white) | 80 | Acrylic | Medium | Dimming |
| H6U-2NCD-NDNN-NGN | 56,400 | 431 | 131 | 480 VAC | 5000K (cool white) | 80 | Acrylic | Narrow | Dimming |
| H6U-7MCD-KDNN-NGN | 45,000 | 324 | 139 | 480 VAC | 5000K (cool white) | 80 | Tempered Glass | Medium | Dimming |
| H6U-7NCD-KDNN-NGN | 45,000 | 324 | 139 | 480 VAC | 5000K (cool white) | 80 | Tempered Glass | Narrow | Dimming |
| H6U-4MCD-KDNN-NGN | 43,200 | 324 | 133 | 480 VAC | 5000K (cool white) | 80 | Polycarbonate | Medium | Dimming |
| H6U-4NCD-KDNN-NGN | 43,200 | 324 | 133 | 480 VAC | 5000K (cool white) | 80 | Polycarbonate | Narrow | Dimming |
| H6U-2MCD-KDNN-NGN | 42,300 | 324 | 131 | 480 VAC | 5000K (cool white) | 80 | Acrylic | Medium | Dimming |
| H6U-2NCD-KDNN-NGN | 42,300 | 324 | 131 | 480 VAC | 5000K (cool white) | 80 | Acrylic | Narrow | Dimming |

All values typical unless otherwise stated (tolerance +/- 10%).

Neutral white color temperature is available for products in the above table. Replace the sixth character **C** with **N**. Ex: H6U-7M**C**D-RDNN-NGN becomes H6U-7M**N**D-RDNN-NGN.

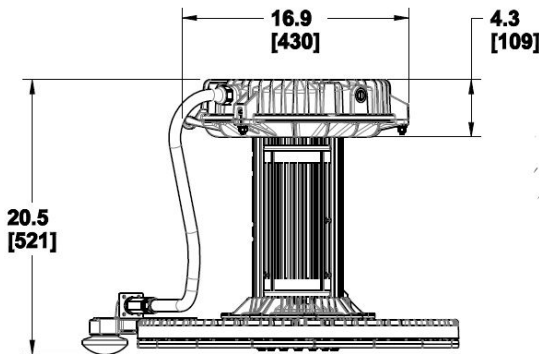
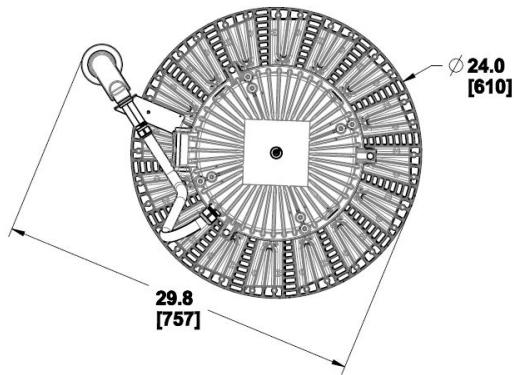
Vigilant® LED High Output High Bay

Occupancy Sensor Models



Certifications & Ratings

- 10 year warranty
- UL 1598/A (wet locations)
- CSA C22.2 No. 250 (wet locations)
- IP66
- NEMA 4X



Dimensions in inches [mm]

Mechanical Information:

Weight (120-277 VAC): 63 lbs (28.6 kg)
 Wire box: 7 lbs (3.2 kg)
 Light fixture: 56 lbs (25.4 kg)

Weight (347/480 VAC): 79 lbs (35.8 kg)
 Wire box: 23 lbs (10.4 kg)
 Light fixture: 56 lbs (25.4 kg)

Shipping weight:
 120-277 VAC models: 82.6 lbs (37.5 kg)
 480 VAC models: 98.6 lbs (44.7 kg)

Note that the wire box is installed separately from the housing. This allows single installer for fixtures.

120-277 VAC wire box: 7 lbs (3.2 kg) [mount first]
 347/480 VAC wire box: 23 lbs (10.4 kg) [mount first]
 Light fixture (base): 56 lbs (25.4 kg) [mount last]

Mounting Entries: (1) 3/4" NPT - top
 (3) 3/4" NPT - sides
 Secondary retention standard

Electrical Specifications:

Operating voltage: 120-277 VAC, 50/60Hz
 347/480 VAC, 50/60Hz

Operating temperature: -40°F to +149°F (-40°C to +65°C)

Harmonics: IEC 61000-3-2

Noise requirement /EMC: FCC Title 47, Subpart B, Section 15, Class A device. RF Immunity; 10V/m, 80MHz-1GHz

Transient protection: 6kV/3kA combination wave, as per IEEE C62.41, line-line and line-ground

THD: < 20%

Power factor: > 0.9

Construction:

Housing: Copper free aluminum

Finish: Superior dual coat finish
 - Sealed polyester topcoat
 - Chemical-resistant epoxy primer

Lens: Tempered glass, acrylic, polycarbonate

Photometric Information:

CRI: 80

CCT: 5000K (cool white)
 4000K (neutral white)

All values typical unless otherwise stated (tolerance +/- 10%)
 Additional color temperature options available, consult factory.

WARNING - INSTALLATION & SECONDARY RETENTION. Use of any Dialight products without proper installation (including secondary retention / netting) and periodic inspections could cause severe injury or death. Dialight recommends that all installations should use secondary retention / netting (appropriate to the installation environment) where applicable. It is the exclusive responsibility of the contractor, installer and/or end-user to: (a) determine the suitability of the product for its intended application; and, (b) ensure that the product is safely installed (with secondary retention / netting where appropriate) and in compliance with all applicable laws and regulations. To the extent permissible under applicable laws, Dialight disclaims all liability for personal injury and/or other damage resulting from any dislodgment or other dislocation of its products.

Ordering Information

Vigilant® LED High Output High Bay - Occupancy Sensor Models



| Part Number | Fixture Lumen | Watt | lm/W | Voltage | CCT | Lens | Beam Distribution | Controls |
|--------------------------------|---------------|------|------|-------------|--------------------|----------------|-------------------|------------------|
| Occupancy Sensor Models | | | | | | | | |
| H6U-7MC2-KMNN-NGN | 45,000 | 309 | 146 | 120-277 VAC | 5000K (cool white) | Tempered Glass | Medium | Occupancy Sensor |
| H6U-7NC2-KMNN-NGN | 45,000 | 309 | 146 | 120-277 VAC | 5000K (cool white) | Tempered Glass | Narrow | Occupancy Sensor |
| H6U-4MC2-KMNN-NGN | 43,200 | 309 | 140 | 120-277 VAC | 5000K (cool white) | Polycarbonate | Medium | Occupancy Sensor |
| H6U-4NC2-KMNN-NGN | 43,200 | 309 | 140 | 120-277 VAC | 5000K (cool white) | Polycarbonate | Narrow | Occupancy Sensor |
| H6U-2MC2-KMNN-NGN | 42,300 | 309 | 137 | 120-277 VAC | 5000K (cool white) | Acrylic | Medium | Occupancy Sensor |
| H6U-2NC2-KMNN-NGN | 42,300 | 309 | 137 | 120-277 VAC | 5000K (cool white) | Acrylic | Narrow | Occupancy Sensor |
| H6U-7MCB-KMNN-NGN | 45,000 | 324 | 139 | 347 VAC | 5000K (cool white) | Tempered Glass | Medium | Occupancy Sensor |
| H6U-7NCB-KMNN-NGN | 45,000 | 324 | 139 | 347 VAC | 5000K (cool white) | Tempered Glass | Narrow | Occupancy Sensor |
| H6U-4MCB-KMNN-NGN | 43,200 | 324 | 133 | 347 VAC | 5000K (cool white) | Polycarbonate | Medium | Occupancy Sensor |
| H6U-4NCB-KMNN-NGN | 43,200 | 324 | 133 | 347 VAC | 5000K (cool white) | Polycarbonate | Narrow | Occupancy Sensor |
| H6U-2MCB-KMNN-NGN | 42,300 | 324 | 131 | 347 VAC | 5000K (cool white) | Acrylic | Medium | Occupancy Sensor |
| H6U-2NCB-KMNN-NGN | 42,300 | 324 | 131 | 347 VAC | 5000K (cool white) | Acrylic | Narrow | Occupancy Sensor |
| H6U-7MCD-KMNN-NGN | 45,000 | 324 | 139 | 480 VAC | 5000K (cool white) | Tempered Glass | Medium | Occupancy Sensor |
| H6U-7NCD-KMNN-NGN | 45,000 | 324 | 139 | 480 VAC | 5000K (cool white) | Tempered Glass | Narrow | Occupancy Sensor |
| H6U-4MCD-KMNN-NGN | 43,200 | 324 | 133 | 480 VAC | 5000K (cool white) | Polycarbonate | Medium | Occupancy Sensor |
| H6U-4NCD-KMNN-NGN | 43,200 | 324 | 133 | 480 VAC | 5000K (cool white) | Polycarbonate | Narrow | Occupancy Sensor |
| H6U-2MCD-KMNN-NGN | 42,300 | 324 | 131 | 480 VAC | 5000K (cool white) | Acrylic | Medium | Occupancy Sensor |
| H6U-2NCD-KMNN-NGN | 42,300 | 324 | 131 | 480 VAC | 5000K (cool white) | Acrylic | Narrow | Occupancy Sensor |

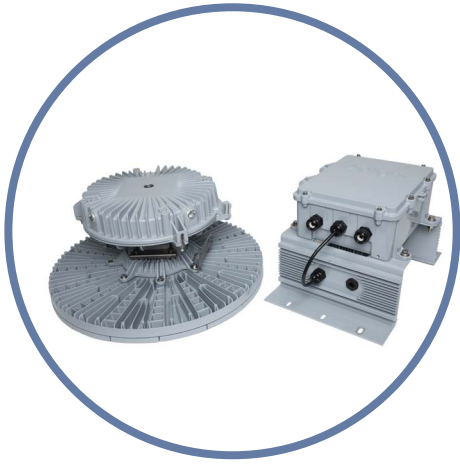
All values typical unless otherwise stated (tolerance +/- 10%).

Occupancy sensor available for 45,000 lumen output with a suggested maximum mounting height of 40'. For additional options, please consult factory.

Neutral white color temperature is available for products in the above table. Replace the sixth character **C** with **N**. Ex: H6U-7**M****C**2-KMNN-NGN becomes H6U-7**M****N**2-KMNN-NGN.

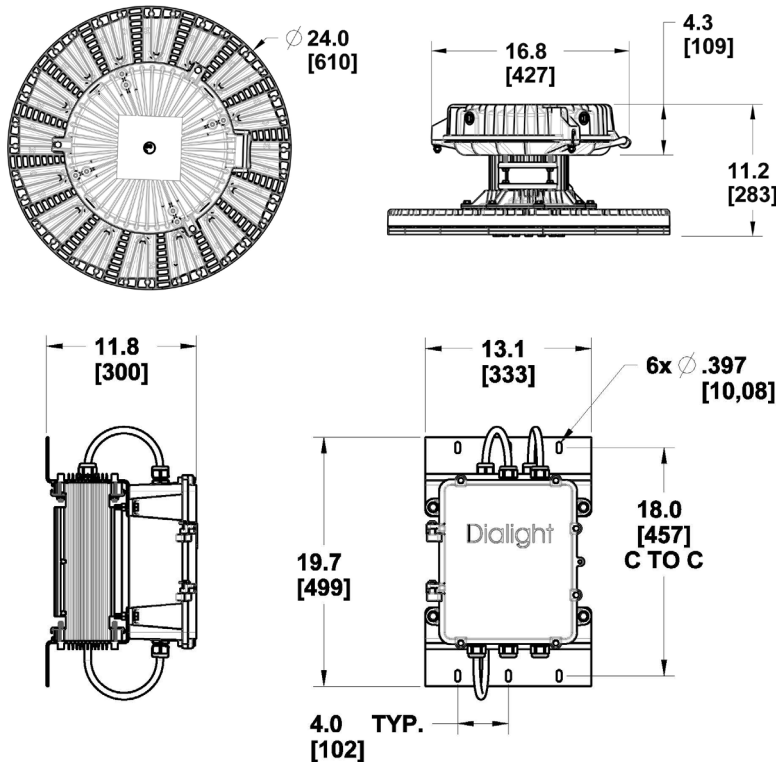
Vigilant® LED High Output High Bay

Remote Power Supply Models



Certifications & Ratings

- 10 year warranty
- UL 1598/A (wet locations)
- CSA C22.2 No. 250 (wet location)
- IP66/67
- NEMA 4X



Dimensions in inches [mm]

Mechanical Information:

Weight:
 Wire box top hat: 52 lbs (23.6 kg)
 Light fixture: 7 lbs (3.2 kg)
 Power supply: 45 lbs (20.4 kg)
 40 lbs (18.4 kg) - 120-277 VAC
 56 lbs (25.4 kg) - 437/480 VAC

Shipping weight:
 Light fixture: 65.3 lbs (29.6 kg)
 Power supply: 47.2 lbs (21.4 kg) - 120-277 VAC
 63.2 lbs (28.7 kg) - 437/480 VAC

Note that the wire box is installed separately from the housing. This allows single installer for fixtures.

Wire box: 7 lbs (3.2 kg) [mount first]
 Light fixture (base): 45 lbs (20.4 kg) [mount last]

Mounting Entries:
 Light engine: (1) 3/4" NPT - top
 (4) 3/4" NPT - sides
 Secondary retention standard

Power supply: Remote power supply mounting bolt locations are shown on the dimensional view on the bottom left side of this page

Variable Dimming:

Variable dimming cable: Two conductor cable connected in the power supply

Power supply:
 Power cable: Three conductor cable
 Light engine: Supplied via 3 conductor DC cable with a maximum length of 200' provided by others. Suggested wire gauge for various distances can be found on page 10

Variable dimming control: 0-10 VDC

Dimming range: 10 VDC = 100% light output
 0 VDC = 5% light output

Electrical Specifications:

Operating Voltage: 120-277 VAC, 50/60Hz
 347/480 VAC, 50/60Hz

Total system power consumption: See table

Operating Temp: -40°F to +149°F (-40°C to +65°C)

Harmonics: IEC 61000-3-2

Noise requirement /EMC: FCC Title 47, Subpart B, Section 15, class A device, RF Immunity; 10V/m, 80MHz-1GHz

Transient protection: 6kV/3kA combination wave, as per IEEE C62.41, line-line and line-ground

THD: < 20%

Power Factor: > 0.9

Construction:

Housing: Copper free aluminum

Finish: Superior dual coat finish
 - Sealed polyester topcoat
 - Chemical-resistant epoxy primer

Lens: Tempered glass, Acrylic, Polycarbonate

Photometric Information:

CRI: 80

CCT: 5000K (cool white)
 4000K (neutral white)

All values typical unless otherwise stated (tolerance +/- 10%)

WARNING - INSTALLATION & SECONDARY RETENTION. Use of any Dialight products without proper installation (including secondary retention / netting) and periodic inspections could cause severe injury or death. Dialight recommends that all installations should use secondary retention / netting (appropriate to the installation environment) where applicable. It is the exclusive responsibility of the contractor, installer and/or end-user to: (a) determine the suitability of the product for its intended application; and, (b) ensure that the product is safely installed (with secondary retention / netting where appropriate) and in compliance with all applicable laws and regulations. To the extent permissible under applicable laws, Dialight disclaims all liability for personal injury and/or other damage resulting from any dislodgment or other dislocation of its products.

Ordering Information

Vigilant® LED High Output High Bay - Remote Power Supply Models



| Part Number | Fixture Lumen | Watt | lm/W | Voltage | CCT | CRI | Lens | Beam Distribution | Controls |
|--|---------------|------|------|-------------|--------------------|-----|----------------|-------------------|----------|
| Remote Power Supply Models - 120-277 VAC Models | | | | | | | | | |
| H6U-7MCR-RDNN-NGN | 72,000 | 484 | 149 | 120-277 VAC | 5000K (cool white) | 80 | Tempered Glass | Medium | Dimming |
| H6U-7NCR-RDNN-NGN | 72,000 | 484 | 149 | 120-277 VAC | 5000K (cool white) | 80 | Tempered Glass | Narrow | Dimming |
| H6U-4MCR-RDNN-NGN | 69,100 | 484 | 143 | 120-277 VAC | 5000K (cool white) | 80 | Polycarbonate | Medium | Dimming |
| H6U-4NCR-RDNN-NGN | 69,100 | 484 | 143 | 120-277 VAC | 5000K (cool white) | 80 | Polycarbonate | Narrow | Dimming |
| H6U-2MCR-RDNN-NGN | 67,700 | 484 | 140 | 120-277 VAC | 5000K (cool white) | 80 | Acrylic | Medium | Dimming |
| H6U-2NCR-RDNN-NGN | 67,700 | 484 | 140 | 120-277 VAC | 5000K (cool white) | 80 | Acrylic | Narrow | Dimming |
| H6U-7MCR-NDNN-NGN | 60,000 | 414 | 145 | 120-277 VAC | 5000K (cool white) | 80 | Tempered Glass | Medium | Dimming |
| H6U-7NCR-NDNN-NGN | 60,000 | 414 | 145 | 120-277 VAC | 5000K (cool white) | 80 | Tempered Glass | Narrow | Dimming |
| H6U-4MCR-NDNN-NGN | 57,600 | 414 | 139 | 120-277 VAC | 5000K (cool white) | 80 | Polycarbonate | Medium | Dimming |
| H6U-4NCR-NDNN-NGN | 57,600 | 414 | 139 | 120-277 VAC | 5000K (cool white) | 80 | Polycarbonate | Narrow | Dimming |
| H6U-2MCR-NDNN-NGN | 56,400 | 414 | 136 | 120-277 VAC | 5000K (cool white) | 80 | Acrylic | Medium | Dimming |
| H6U-2NCR-NDNN-NGN | 56,400 | 414 | 136 | 120-277 VAC | 5000K (cool white) | 80 | Acrylic | Narrow | Dimming |
| H6U-7MCR-KDNN-NGN | 45,000 | 309 | 146 | 120-277 VAC | 5000K (cool white) | 80 | Tempered Glass | Medium | Dimming |
| H6U-7NCR-KDNN-NGN | 45,000 | 309 | 146 | 120-277 VAC | 5000K (cool white) | 80 | Tempered Glass | Narrow | Dimming |
| H6U-4MCR-KDNN-NGN | 43,200 | 309 | 140 | 120-277 VAC | 5000K (cool white) | 80 | Polycarbonate | Medium | Dimming |
| H6U-4NCR-KDNN-NGN | 43,200 | 309 | 140 | 120-277 VAC | 5000K (cool white) | 80 | Polycarbonate | Narrow | Dimming |
| H6U-2MCR-KDNN-NGN | 42,300 | 309 | 137 | 120-277 VAC | 5000K (cool white) | 80 | Acrylic | Medium | Dimming |
| H6U-2NCR-KDNN-NGN | 42,300 | 309 | 137 | 120-277 VAC | 5000K (cool white) | 80 | Acrylic | Narrow | Dimming |
| Remote Power Supply Models - 347 VAC Models | | | | | | | | | |
| H6U-7MCS-RDNN-NGN | 72,000 | 506 | 142 | 347 VAC | 5000K (cool white) | 80 | Tempered Glass | Medium | Dimming |
| H6U-7NCS-RDNN-NGN | 72,000 | 506 | 142 | 347 VAC | 5000K (cool white) | 80 | Tempered Glass | Narrow | Dimming |
| H6U-4MCS-RDNN-NGN | 69,100 | 506 | 137 | 347 VAC | 5000K (cool white) | 80 | Polycarbonate | Medium | Dimming |
| H6U-4NCS-RDNN-NGN | 69,100 | 506 | 137 | 347 VAC | 5000K (cool white) | 80 | Polycarbonate | Narrow | Dimming |
| H6U-2MCS-RDNN-NGN | 67,700 | 506 | 134 | 347 VAC | 5000K (cool white) | 80 | Acrylic | Medium | Dimming |
| H6U-2NCS-RDNN-NGN | 67,700 | 506 | 134 | 347 VAC | 5000K (cool white) | 80 | Acrylic | Narrow | Dimming |
| H6U-7MCS-NDNN-NGN | 60,000 | 431 | 139 | 347 VAC | 5000K (cool white) | 80 | Tempered Glass | Medium | Dimming |
| H6U-7NCS-NDNN-NGN | 60,000 | 431 | 139 | 347 VAC | 5000K (cool white) | 80 | Tempered Glass | Narrow | Dimming |
| H6U-4MCS-NDNN-NGN | 57,600 | 431 | 134 | 347 VAC | 5000K (cool white) | 80 | Polycarbonate | Medium | Dimming |
| H6U-4NCS-NDNN-NGN | 57,600 | 431 | 134 | 347 VAC | 5000K (cool white) | 80 | Polycarbonate | Narrow | Dimming |
| H6U-2MCS-NDNN-NGN | 56,400 | 431 | 131 | 347 VAC | 5000K (cool white) | 80 | Acrylic | Medium | Dimming |
| H6U-2NCS-NDNN-NGN | 56,400 | 431 | 131 | 347 VAC | 5000K (cool white) | 80 | Acrylic | Narrow | Dimming |
| H6U-7MCS-KDNN-NGN | 45,000 | 324 | 139 | 347 VAC | 5000K (cool white) | 80 | Tempered Glass | Medium | Dimming |
| H6U-7NCS-KDNN-NGN | 45,000 | 324 | 139 | 347 VAC | 5000K (cool white) | 80 | Tempered Glass | Narrow | Dimming |
| H6U-4MCS-KDNN-NGN | 43,200 | 324 | 133 | 347 VAC | 5000K (cool white) | 80 | Polycarbonate | Medium | Dimming |
| H6U-4NCS-KDNN-NGN | 43,200 | 324 | 133 | 347 VAC | 5000K (cool white) | 80 | Polycarbonate | Narrow | Dimming |
| H6U-2MCS-KDNN-NGN | 42,300 | 324 | 131 | 347 VAC | 5000K (cool white) | 80 | Acrylic | Medium | Dimming |
| H6U-2NCS-KDNN-NGN | 42,300 | 324 | 131 | 347 VAC | 5000K (cool white) | 80 | Acrylic | Narrow | Dimming |

All values typical unless otherwise stated (tolerance +/- 10%).

For remote power installations wattage will vary based on the length and size of cable used to run DC power between the luminaire and power supply. Consult factory for more details. Neutral white color temperature is available for products in the above table. Replace the sixth character **C** with **N**. Ex: H6U-7MCR-RDNN-NGN becomes H6U-7MNR-RDNN-NGN.

DISCLAIMER. All product information provided is, to the best of Dialight's knowledge, accurate as of the date of publication. When ordering, refer to www.dialight.com for current versions of: (a) relevant product documentation (including the relevant product data sheets); (b) Dialight terms and conditions of sale; and, (c) the relevant product warranty. To the extent that any contract is deemed formed between Dialight and the purchaser of Dialight products and/or an end-user, versions of documents available at www.dialight.com as at the date of sale shall be the versions incorporated therein. In the event of any discrepancy between this document or information provided at www.dialight.com, the latter shall prevail.

Ordering Information

Vigilant® LED High Output High Bay - Remote Power Supply Models



| Part Number | Fixture Lumen | Watt | lm/W | Voltage | CCT | CRI | Lens | Beam Distribution | Controls |
|--|---------------|------|------|---------|--------------------|-----|----------------|-------------------|----------|
| Remote Power Supply Models - 480 VAC Models | | | | | | | | | |
| H6U-7MCU-RDNN-NGN | 72,000 | 506 | 142 | 480 VAC | 5000K (cool white) | 80 | Tempered Glass | Medium | Dimming |
| H6U-7NCU-RDNN-NGN | 72,000 | 506 | 142 | 480 VAC | 5000K (cool white) | 80 | Tempered Glass | Narrow | Dimming |
| H6U-4MCU-RDNN-NGN | 69,100 | 506 | 137 | 480 VAC | 5000K (cool white) | 80 | Polycarbonate | Medium | Dimming |
| H6U-4NCU-RDNN-NGN | 69,100 | 506 | 137 | 480 VAC | 5000K (cool white) | 80 | Polycarbonate | Narrow | Dimming |
| H6U-2MCU-RDNN-NGN | 67,700 | 506 | 134 | 480 VAC | 5000K (cool white) | 80 | Acrylic | Medium | Dimming |
| H6U-2NCU-RDNN-NGN | 67,700 | 506 | 134 | 480 VAC | 5000K (cool white) | 80 | Acrylic | Narrow | Dimming |
| H6U-7MCU-NDNN-NGN | 60,000 | 431 | 139 | 480 VAC | 5000K (cool white) | 80 | Tempered Glass | Medium | Dimming |
| H6U-7NCU-NDNN-NGN | 60,000 | 431 | 139 | 480 VAC | 5000K (cool white) | 80 | Tempered Glass | Narrow | Dimming |
| H6U-4MCU-NDNN-NGN | 57,600 | 431 | 134 | 480 VAC | 5000K (cool white) | 80 | Polycarbonate | Medium | Dimming |
| H6U-4NCU-NDNN-NGN | 57,600 | 431 | 134 | 480 VAC | 5000K (cool white) | 80 | Polycarbonate | Narrow | Dimming |
| H6U-2MCU-NDNN-NGN | 56,400 | 431 | 131 | 480 VAC | 5000K (cool white) | 80 | Acrylic | Medium | Dimming |
| H6U-2NCU-NDNN-NGN | 56,400 | 431 | 131 | 480 VAC | 5000K (cool white) | 80 | Acrylic | Narrow | Dimming |
| H6U-7MCU-KDNN-NGN | 45,000 | 324 | 139 | 480 VAC | 5000K (cool white) | 80 | Tempered Glass | Medium | Dimming |
| H6U-7NCU-KDNN-NGN | 45,000 | 324 | 139 | 480 VAC | 5000K (cool white) | 80 | Tempered Glass | Narrow | Dimming |
| H6U-4MCU-KDNN-NGN | 43,200 | 324 | 133 | 480 VAC | 5000K (cool white) | 80 | Polycarbonate | Medium | Dimming |
| H6U-4NCU-KDNN-NGN | 43,200 | 324 | 133 | 480 VAC | 5000K (cool white) | 80 | Polycarbonate | Narrow | Dimming |
| H6U-2MCU-KDNN-NGN | 42,300 | 324 | 131 | 480 VAC | 5000K (cool white) | 80 | Acrylic | Medium | Dimming |
| H6U-2NCU-KDNN-NGN | 42,300 | 324 | 131 | 480 VAC | 5000K (cool white) | 80 | Acrylic | Narrow | Dimming |

All values typical unless otherwise stated (tolerance +/- 10%).

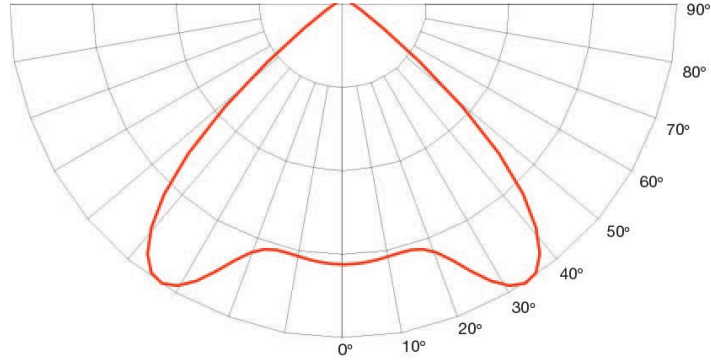
For remote power installations wattage will vary based on the length and size of cable used to run DC power between the luminaire and power supply. Consult factory for more details. Neutral white color temperature is available for products in the above table. Replace the sixth character **Q** with **N**. Ex: H6U-7M**QR**-RDNN-NGN becomes H6U-7M**NR**-RDNN-NGN.

DISCLAIMER. All product information provided is, to the best of Dialight's knowledge, accurate as of the date of publication. When ordering, refer to www.dialight.com for current versions of: (a) relevant product documentation (including the relevant product data sheets); (b) Dialight terms and conditions of sale; and, (c) the relevant product warranty. To the extent that any contract is deemed formed between Dialight and the purchaser of Dialight products and/or an end-user, versions of documents available at www.dialight.com as at the date of sale shall be the versions incorporated therein. In the event of any discrepancy between this document or information provided at www.dialight.com, the latter shall prevail.

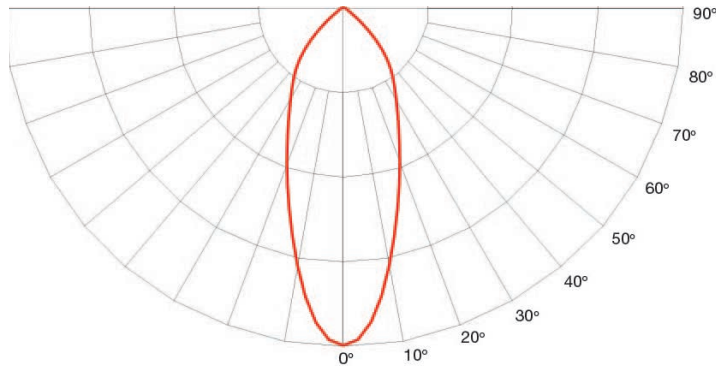
Vigilant® LED High Output High Bay

Beam Distribution

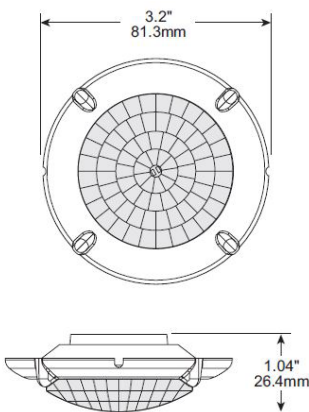
Medium



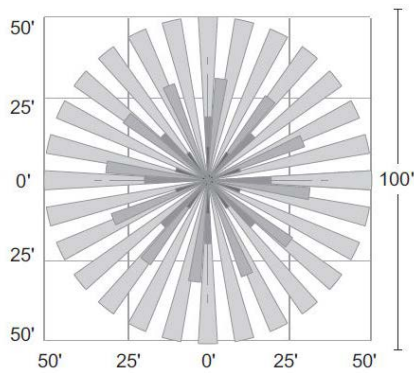
Narrow



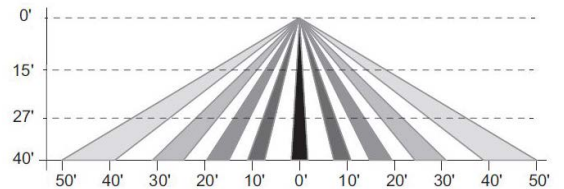
Occupancy Sensor Coverage



Coverage Top View @ 40ft



Coverage Side View



DISCLAIMER. All product information provided is, to the best of Dialight's knowledge, accurate as of the date of publication. When ordering, refer to www.dialight.com for current versions of: (a) relevant product documentation (including the relevant product data sheets); (b) Dialight terms and conditions of sale; and, (c) the relevant product warranty. To the extent that any contract is deemed formed between Dialight and the purchaser of Dialight products and/or an end-user, versions of documents available at www.dialight.com as at the date of sale shall be the versions incorporated therein. In the event of any discrepancy between this document or information provided at www.dialight.com, the latter shall prevail.

Vigilant® LED High Output High Bay

Mounting Accessories



H6XCAB72

- 72" stainless steel safety rope

H6XCAB60

- 60" stainless steel safety rope



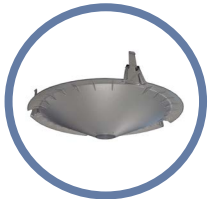
H6X-H

- Hook



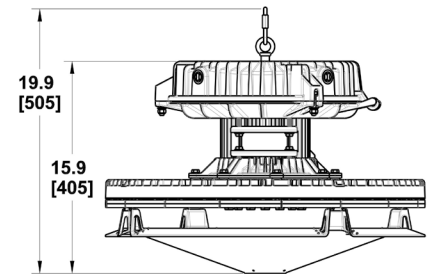
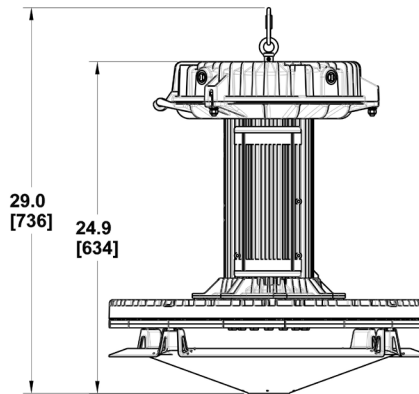
HBXFSIRREMOTE

- Remote for occupancy sensor



H6XDIFFUSER

- Diffuser
- Patent pending



Top Hat Hinge



DISCLAIMER. All product information provided is, to the best of Dialight's knowledge, accurate as of the date of publication. When ordering, refer to www.dialight.com for current versions of: (a) relevant product documentation (including the relevant product data sheets); (b) Dialight terms and conditions of sale; and, (c) the relevant product warranty. To the extent that any contract is deemed formed between Dialight and the purchaser of Dialight products and/or an end-user, versions of documents available at www.dialight.com as at the date of sale shall be the versions incorporated therein. In the event of any discrepancy between this document or information provided at www.dialight.com, the latter shall prevail.

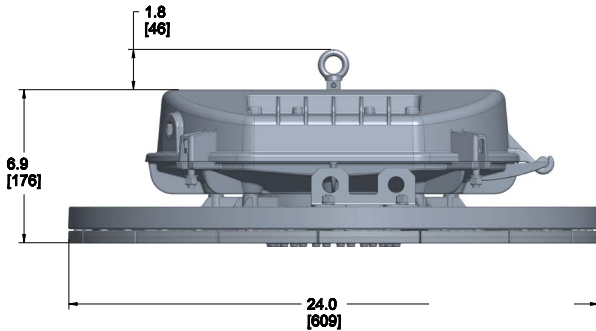
Vigilant® LED High Output High Bay - Low Profile

Standard Models



Certifications & Ratings

- 10 year warranty
- UL 1598/A (wet locations)
- CSA C22.2 No. 250 (wet locations)
- IP66/67
- IK10 (polycarbonate) / IK06 (glass)
- L70 > 150,000 hours
- DLC Premium on most models
- Factory installed secondary retention bracket, optional safety cable accessory available



Dimensions in inches [mm]

Mechanical Information:

| | |
|------------------------------|--|
| Weight (120-277 VAC): | 48 lbs (21.8 kg) |
| Weight (347/480 VAC): | 49 lbs (22.2 kg) |
| Shipping weight: | 62 lbs (28.1 kg) |
| Mounting: | (1) ¾" NPT Hook |
| Entries: | (1) ¾" NPT – top (2) ¾" NPT – sides |

Variable Dimming Option:

| | |
|----------------------------------|---|
| Variable Dimming Cable: | Two conductor cable |
| Power Cable: | Three conductor cable |
| Variable Dimming Control: | 0-10 VDC |
| Dimming Range: | 10 VDC = 100% light output 0 VDC = off |

Electrical Specifications:

| | |
|--|--|
| Operating Voltage: | 120-277 VAC, 50/60Hz 347 VAC, 50/60Hz 480 VAC, 50/60Hz |
| Total system power consumption: | See table |
| Operating Temp: | -40°F to +149°F (-40°C to +65°C) |
| Harmonics: | IEC 61000-3-2 Class C |
| Noise requirement /EMC: | FCC Title 47, Subpart B, Section 15, class A device. RF Immunity; 10V/m, 80MHz-1GHz |
| Transient protection: | 6kV/3kA combination wave, as per IEEE C62.41, line-line and line-ground |
| THD: | < 20% |
| Power Factor: | > 0.9 |
| Construction: | |
| Housing: | Copper free aluminum |
| Finish: | Superior dual coat finish - Sealed polyester topcoat - Chemical-resistant epoxy primer |
| Lens Options: | Glass, Acrylic or Polycarbonate |

Photometric Information:

| | |
|-------------|---|
| CRI: | 80 |
| CCT: | 5000K (cool white) 4000K (neutral white) |

All values typical unless otherwise stated (tolerance +/- 10%)

WARNING - INSTALLATION & SECONDARY RETENTION. Use of any Dialight products without proper installation (including secondary retention / netting) and periodic inspections could cause severe injury or death. Dialight recommends that all installations should use secondary retention / netting (appropriate to the installation environment) where applicable. It is the exclusive responsibility of the contractor, installer and/or end-user to: (a) determine the suitability of the product for its intended application; and, (b) ensure that the product is safely installed (with secondary retention / netting where appropriate) and in compliance with all applicable laws and regulations. To the extent permissible under applicable laws, Dialight disclaims all liability for personal injury and/or other damage resulting from any dislodgment or other dislocation of its products.

Vigilant® LED High Output High Bay - Low Profile

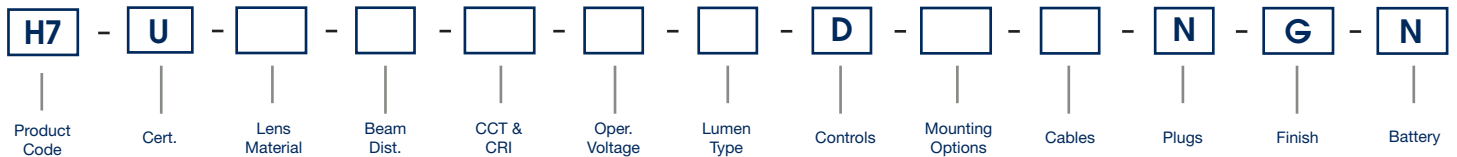
120-277 VAC, 347 or 480 VAC Models



| Project Information | |
|---------------------|-------|
| Part Number: | |
| Project: | |
| Fixture Type: | Date: |

| Specifications |
|----------------|
| |
| |
| |
| |

Ordering Information



| | | | |
|---|---|---|------------------------------------|
| Product Code H7 Vigilant High Output High Bay | CCT & CRI C Cool White 5000K - 80 CRI N Neutral White 4000K - 80 CRI | Controls D Dimming (0-10V) | Plugs N No Option* |
| Certification U UL 1598, UL 1598/A | Operating Voltage 2 120-277 VAC 3 208 VAC (w/ fuseblock) B 347 VAC (w/ fuseblock) D 480 VAC (w/ fuseblock) | Mounting Options H Hook N No Option* | Finish G Gray (RAL 7040) |
| Lens Material 2 Acrylic - Clear 4 Polycarbonate - Clear 7 Glass - Clear | Lumen Type K 46,000 Lumens N 61,200 Lumens R 70,500 Lumens | Cables N No Cable (Standard) W 10' (3 meter) Power Cable | Battery N No Option |
| Beam Distribution M Medium N Narrow | Based on cool white and glass lens. See Technical Specification Sheet for additional options. | | |

* For available cable and plug options contact your local Dialight representative

* 3 - 3/4" threaded entries; 1 pendant and 2 through-feed perimeter are standard

WARNING - INSTALLATION & SECONDARY RETENTION. Use of any Dialight products without proper installation (including secondary retention / netting) and periodic inspections could cause severe injury or death. Dialight recommends that all installations should use secondary retention / netting (appropriate to the installation environment) where applicable. It is the exclusive responsibility of the contractor, installer and/or end-user to: (a) determine the suitability of the product for its intended application; and, (b) ensure that the product is safely installed (with secondary retention / netting where appropriate) and in compliance with all applicable laws and regulations. To the extent permissible under applicable laws, Dialight disclaims all liability for personal injury and/or other damage resulting from any dislodgment or other dislocation of its products.

Ordering Information

Vigilant® LED High Output High Bay - Low Profile - Standard Models



| Part Number | Fixture Lumen | Watt | lm/W | Voltage | CCT | CRI | Lens | Beam Distribution | Controls |
|---|---------------|------|------|-------------|--------------------|-----|---------------|-------------------|----------|
| Standard Models - 120-277 VAC Models | | | | | | | | | |
| H7U-7NC2-RDNN-NGN | 70,500 | 485 | 145 | 120-277 VAC | 5000K (cool white) | 80 | Glass | Narrow | Dimming |
| H7U-4NC2-RDNN-NGN | 65,700 | 485 | 135 | 120-277 VAC | 5000K (cool white) | 80 | Polycarbonate | Narrow | Dimming |
| H7U-2NC2-RDNN-NGN | 66,800 | 485 | 138 | 120-277 VAC | 5000K (cool white) | 80 | Acrylic | Narrow | Dimming |
| H7U-7MC2-RDNN-NGN | 70,500 | 485 | 145 | 120-277 VAC | 5000K (cool white) | 80 | Glass | Medium | Dimming |
| H7U-4MC2-RDNN-NGN | 65,700 | 485 | 135 | 120-277 VAC | 5000K (cool white) | 80 | Polycarbonate | Medium | Dimming |
| H7U-2MC2-RDNN-NGN | 66,800 | 485 | 138 | 120-277 VAC | 5000K (cool white) | 80 | Acrylic | Medium | Dimming |
| H7U-7NC2-NDNN-NGN | 61,200 | 418 | 146 | 120-277 VAC | 5000K (cool white) | 80 | Glass | Narrow | Dimming |
| H7U-4NC2-NDNN-NGN | 57,100 | 418 | 137 | 120-277 VAC | 5000K (cool white) | 80 | Polycarbonate | Narrow | Dimming |
| H7U-2NC2-NDNN-NGN | 58,000 | 418 | 139 | 120-277 VAC | 5000K (cool white) | 80 | Acrylic | Narrow | Dimming |
| H7U-7MC2-NDNN-NGN | 61,200 | 418 | 146 | 120-277 VAC | 5000K (cool white) | 80 | Glass | Medium | Dimming |
| H7U-4MC2-NDNN-NGN | 57,100 | 418 | 137 | 120-277 VAC | 5000K (cool white) | 80 | Polycarbonate | Medium | Dimming |
| H7U-2MC2-NDNN-NGN | 58,000 | 418 | 139 | 120-277 VAC | 5000K (cool white) | 80 | Acrylic | Medium | Dimming |
| H7U-7NC2-KDNN-NGN | 46,000 | 300 | 153 | 120-277 VAC | 5000K (cool white) | 80 | Glass | Narrow | Dimming |
| H7U-4NC2-KDNN-NGN | 42,900 | 300 | 143 | 120-277 VAC | 5000K (cool white) | 80 | Polycarbonate | Narrow | Dimming |
| H7U-2NC2-KDNN-NGN | 43,600 | 300 | 145 | 120-277 VAC | 5000K (cool white) | 80 | Acrylic | Narrow | Dimming |
| H7U-7MC2-KDNN-NGN | 46,000 | 300 | 153 | 120-277 VAC | 5000K (cool white) | 80 | Glass | Medium | Dimming |
| H7U-4MC2-KDNN-NGN | 42,900 | 300 | 143 | 120-277 VAC | 5000K (cool white) | 80 | Polycarbonate | Medium | Dimming |
| H7U-2MC2-KDNN-NGN | 43,600 | 300 | 145 | 120-277 VAC | 5000K (cool white) | 80 | Acrylic | Medium | Dimming |
| Standard Models - 347 VAC Models | | | | | | | | | |
| H7U-7NCB-RDNN-NGN | 70,500 | 494 | 143 | 347 VAC | 5000K (cool white) | 80 | Glass | Narrow | Dimming |
| H7U-4NCB-RDNN-NGN | 65,700 | 494 | 133 | 347 VAC | 5000K (cool white) | 80 | Polycarbonate | Narrow | Dimming |
| H7U-2NCB-RDNN-NGN | 66,800 | 494 | 135 | 347 VAC | 5000K (cool white) | 80 | Acrylic | Narrow | Dimming |
| H7U-7MCB-RDNN-NGN | 70,500 | 494 | 143 | 347 VAC | 5000K (cool white) | 80 | Glass | Medium | Dimming |
| H7U-4MCB-RDNN-NGN | 65,700 | 494 | 133 | 347 VAC | 5000K (cool white) | 80 | Polycarbonate | Medium | Dimming |
| H7U-2MCB-RDNN-NGN | 66,800 | 494 | 135 | 347 VAC | 5000K (cool white) | 80 | Acrylic | Medium | Dimming |
| H7U-7NCB-NDNN-NGN | 61,200 | 427 | 143 | 347 VAC | 5000K (cool white) | 80 | Glass | Narrow | Dimming |
| H7U-4NCB-NDNN-NGN | 57,100 | 427 | 134 | 347 VAC | 5000K (cool white) | 80 | Polycarbonate | Narrow | Dimming |
| H7U-2NCB-NDNN-NGN | 58,000 | 427 | 136 | 347 VAC | 5000K (cool white) | 80 | Acrylic | Narrow | Dimming |
| H7U-7MCB-NDNN-NGN | 61,200 | 427 | 143 | 347 VAC | 5000K (cool white) | 80 | Glass | Medium | Dimming |
| H7U-4MCB-NDNN-NGN | 57,100 | 427 | 134 | 347 VAC | 5000K (cool white) | 80 | Polycarbonate | Medium | Dimming |
| H7U-2MCB-NDNN-NGN | 58,000 | 427 | 136 | 347 VAC | 5000K (cool white) | 80 | Acrylic | Medium | Dimming |
| H7U-7NCB-KDNN-NGN | 46,000 | 308 | 149 | 347 VAC | 5000K (cool white) | 80 | Glass | Narrow | Dimming |
| H7U-4NCB-KDNN-NGN | 42,900 | 308 | 139 | 347 VAC | 5000K (cool white) | 80 | Polycarbonate | Narrow | Dimming |
| H7U-2NCB-KDNN-NGN | 43,600 | 308 | 142 | 347 VAC | 5000K (cool white) | 80 | Acrylic | Narrow | Dimming |
| H7U-7MCB-KDNN-NGN | 46,000 | 308 | 149 | 347 VAC | 5000K (cool white) | 80 | Glass | Medium | Dimming |
| H7U-4MCB-KDNN-NGN | 42,900 | 308 | 139 | 347 VAC | 5000K (cool white) | 80 | Polycarbonate | Medium | Dimming |
| H7U-2MCB-KDNN-NGN | 43,600 | 308 | 142 | 347 VAC | 5000K (cool white) | 80 | Acrylic | Medium | Dimming |

All values typical unless otherwise stated (tolerance +/- 10%).

Neutral white color temperature is available for products in the above table. Replace the sixth character **C** with **N**. Ex: H7U-7MC2-RDNN-NGN becomes H7U-7MN2-RDNN-NGN.

DISCLAIMER. All product information provided is, to the best of Dialight's knowledge, accurate as of the date of publication. When ordering, refer to www.dialight.com for current versions of: (a) relevant product documentation (including the relevant product data sheets); (b) Dialight terms and conditions of sale; and, (c) the relevant product warranty. To the extent that any contract is deemed formed between Dialight and the purchaser of Dialight products and/or an end-user, versions of documents available at www.dialight.com as at the date of sale shall be the versions incorporated therein. In the event of any discrepancy between this document or information provided at www.dialight.com, the latter shall prevail.

Ordering Information

Vigilant® LED High Output High Bay - Low Profile - Standard Models



| Part Number | Fixture Lumen | Watt | lm/W | Voltage | CCT | CRI | Lens | Beam Distribution | Controls |
|---|---------------|------|------|---------|--------------------|-----|---------------|-------------------|----------|
| Standard Models - 480 VAC Models | | | | | | | | | |
| H7U-7NCD-RDNN-NGN | 70,500 | 494 | 143 | 480 VAC | 5000K (cool white) | 80 | Glass | Narrow | Dimming |
| H7U-4NCD-RDNN-NGN | 65,700 | 494 | 133 | 480 VAC | 5000K (cool white) | 80 | Polycarbonate | Narrow | Dimming |
| H7U-2NCD-RDNN-NGN | 66,800 | 494 | 135 | 480 VAC | 5000K (cool white) | 80 | Acrylic | Narrow | Dimming |
| H7U-7MCD-RDNN-NGN | 70,500 | 494 | 143 | 480 VAC | 5000K (cool white) | 80 | Glass | Medium | Dimming |
| H7U-4MCD-RDNN-NGN | 65,700 | 494 | 133 | 480 VAC | 5000K (cool white) | 80 | Polycarbonate | Medium | Dimming |
| H7U-2MCD-RDNN-NGN | 66,800 | 494 | 135 | 480 VAC | 5000K (cool white) | 80 | Acrylic | Medium | Dimming |
| H7U-7NCD-NDNN-NGN | 61,200 | 427 | 143 | 480 VAC | 5000K (cool white) | 80 | Glass | Narrow | Dimming |
| H7U-4NCD-NDNN-NGN | 57,100 | 427 | 134 | 480 VAC | 5000K (cool white) | 80 | Polycarbonate | Narrow | Dimming |
| H7U-2NCD-NDNN-NGN | 58,000 | 427 | 136 | 480 VAC | 5000K (cool white) | 80 | Acrylic | Narrow | Dimming |
| H7U-7MCD-NDNN-NGN | 61,200 | 427 | 143 | 480 VAC | 5000K (cool white) | 80 | Glass | Medium | Dimming |
| H7U-4MCD-NDNN-NGN | 57,100 | 427 | 134 | 480 VAC | 5000K (cool white) | 80 | Polycarbonate | Medium | Dimming |
| H7U-2MCD-NDNN-NGN | 58,000 | 427 | 136 | 480 VAC | 5000K (cool white) | 80 | Acrylic | Medium | Dimming |
| H7U-7NCD-KDNN-NGN | 46,000 | 308 | 149 | 480 VAC | 5000K (cool white) | 80 | Glass | Narrow | Dimming |
| H7U-4NCD-KDNN-NGN | 42,900 | 308 | 139 | 480 VAC | 5000K (cool white) | 80 | Polycarbonate | Narrow | Dimming |
| H7U-2NCD-KDNN-NGN | 43,600 | 308 | 142 | 480 VAC | 5000K (cool white) | 80 | Acrylic | Narrow | Dimming |
| H7U-7MCD-KDNN-NGN | 46,000 | 308 | 149 | 480 VAC | 5000K (cool white) | 80 | Glass | Medium | Dimming |
| H7U-4MCD-KDNN-NGN | 42,900 | 308 | 139 | 480 VAC | 5000K (cool white) | 80 | Polycarbonate | Medium | Dimming |
| H7U-2MCD-KDNN-NGN | 43,600 | 308 | 142 | 480 VAC | 5000K (cool white) | 80 | Acrylic | Medium | Dimming |

All values typical unless otherwise stated (tolerance +/- 10%).

Neutral white color temperature is available for products in the above table. Replace the sixth character **C** with **N**. Ex: H7U-7M**C**D-RDNN-NGN becomes H7U-7M**N**D-RDNN-NGN.

Mounting Accessories



H6XCAB72

- 72" stainless steel safety rope

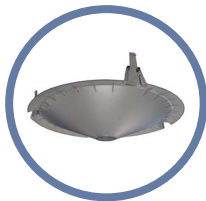
H6XCAB60

- 60" stainless steel safety rope



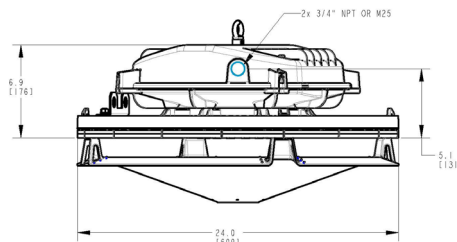
H6X-H

- Hook



H6XDIFFUSER

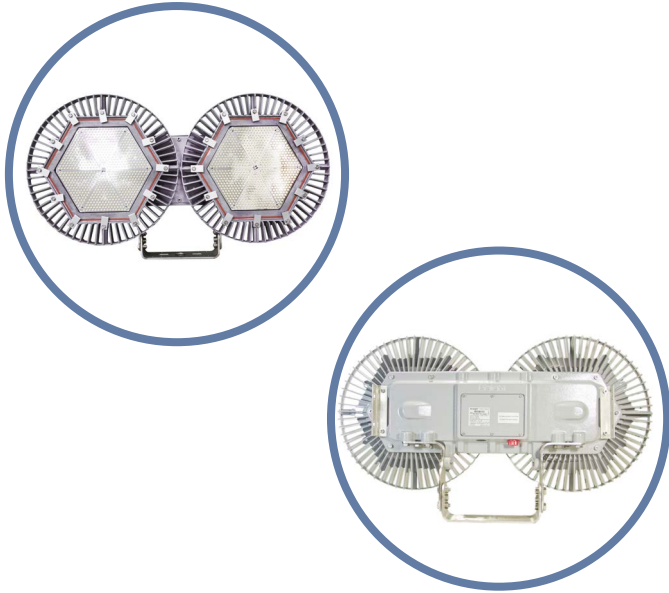
- Diffuser
- Patent pending



DISCLAIMER. All product information provided is, to the best of Dialight's knowledge, accurate as of the date of publication. When ordering, refer to www.dialight.com for current versions of: (a) relevant product documentation (including the relevant product data sheets); (b) Dialight terms and conditions of sale; and, (c) the relevant product warranty. To the extent that any contract is deemed formed between Dialight and the purchaser of Dialight products and/or an end-user, versions of documents available at www.dialight.com as at the date of sale shall be the versions incorporated therein. In the event of any discrepancy between this document or information provided at www.dialight.com, the latter shall prevail.

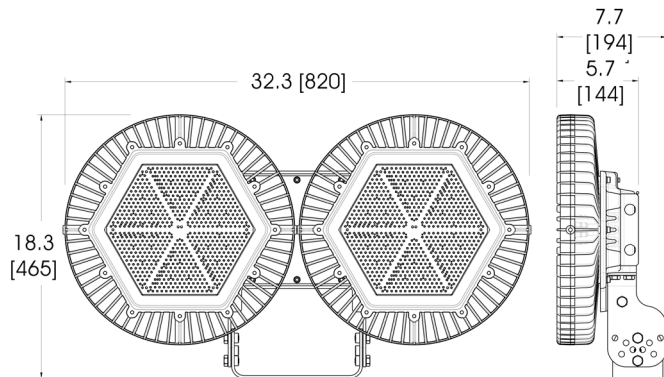
Vigilant® LED Dual Floodlight - UL / CSA

Standard Models



Certifications & Ratings

- UL 1598/A
- CSA C22.2 No. 250
- NEMA 4X
- IP66
- IK05



Dimensions in inches [mm]

Mechanical Information:

- Fixture weight:** 56 lb (25.4 kg)
- Shipping weight:** 60 lb (27.2 kg)
- EPA (sq.ft):** 2.69
- Mounting:** 304 Stainless Steel trunion mounting bracket included
- Entries:** (2) 3/4" NPT cable entries

Electrical Specifications:

- Operating voltage:** 100-277 VAC/120-250 VDC
- Power consumption:** See table
- Operating temp:** -40°F to +149°F (-40°C to +65°C)
- Noise requirement /EMC:** FCC Title 47, Subpart B, Section 15, Class A device. RF Immunity; 10V/m, 80MHz-1GHz
- Surge protection:** 6kV/2 ohm combination wave, as per IEEE C62.41, line-line and line-ground
- THD:** < 20%
- Power factor:** > 0.9

Variable Dimming:

- Variable dimming control:** 0-10 VDC
- Dimming range:** 10 VDC = 100% light output
0 VDC = <10% light output

Construction:

- Housing:** Copper-free aluminum
- Finish:** Superior dual coat finish
- Sealed polyester topcoat
- Epoxy primer
- Lens:** Tempered glass

Photometric Information:

- CRI:** 80
- CCT:** 5000K (cool white)
4000K (neutral white)
- Beam patterns:** Medium distribution
NEMA 6 distribution
NEMA 7x6 distribution

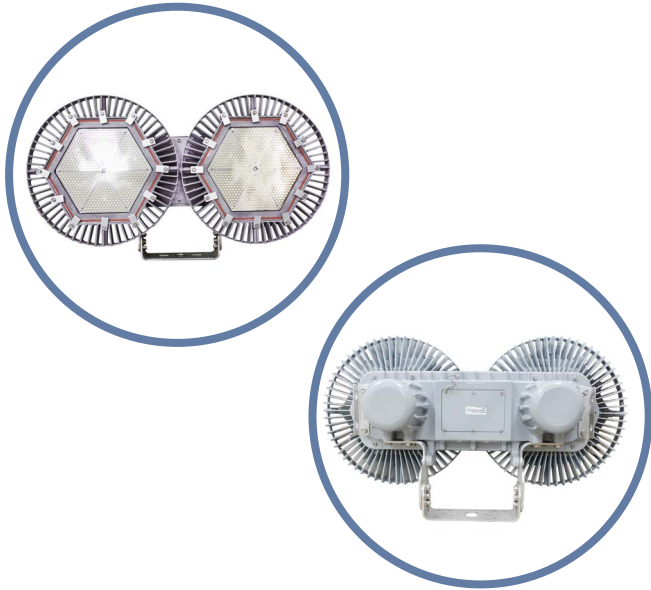
IES files: Available at www.dialight.com

All values typical unless otherwise stated (tolerance +/- 10%)

WARNING - INSTALLATION & SECONDARY RETENTION. Use of any Dialight products without proper installation (including secondary retention / netting) and periodic inspections could cause severe injury or death. Dialight recommends that all installations should use secondary retention / netting (appropriate to the installation environment) where applicable. It is the exclusive responsibility of the contractor, installer and/or end-user to: (a) determine the suitability of the product for its intended application; and, (b) ensure that the product is safely installed (with secondary retention / netting where appropriate) and in compliance with all applicable laws and regulations. To the extent permissible under applicable laws, Dialight disclaims all liability for personal injury and/or other damage resulting from any dislodgment or other dislocation of its products.

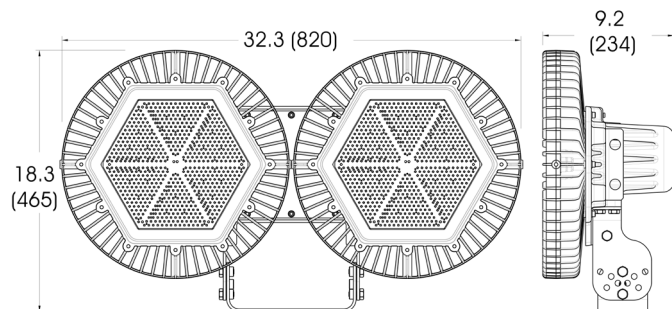
Vigilant® LED Dual Floodlight - UL / CSA

347/480 VAC Models



Certifications & Ratings

- UL 1598/A
- CSA C22.2 No. 250
- NEMA 4X
- IP66
- IK05



Dimensions in inches [mm]

Mechanical Information:

| | |
|-------------------------|--|
| Fixture weight: | 73 lb (33.1 kg) |
| Shipping weight: | 79 lb (35.8 kg) |
| EPA (sq.ft): | 2.69 |
| Mounting: | 304 Stainless Steel trunnion mounting bracket included |
| Entries: | (2) 3/4" NPT cable entries |

Electrical Specifications:

| | |
|--------------------------------|---|
| Operating voltage: | 347/480 VAC, 60Hz |
| Power consumption: | See table |
| Operating temp: | -40°F to +149°F (-40°C to +65°C) |
| Noise requirement /EMC: | FCC Title 47, Subpart B, Section 15, Class A device. RF Immunity; 10V/m, 80MHz-1GHz |
| Surge protection: | 6kV/2 ohm combination wave, as per IEEE C62.41, line-line and line-ground |
| THD: | < 20% |
| Power factor: | > 0.9 |

Variable Dimming:

| | |
|----------------------------------|---|
| Variable dimming control: | 0-10 VDC |
| Dimming range: | 10 VDC = 100% light output 0 VDC = <10% light output |

Construction:

| | |
|-----------------|---|
| Housing: | Copper-free aluminum |
| Finish: | Superior dual coat finish - Sealed polyester topcoat - Epoxy primer |
| Lens: | Tempered glass |

Photometric Information:

| | |
|-----------------------|---|
| CRI: | 80 |
| CCT: | 5000K (cool white) 4000K (neutral white) |
| Beam patterns: | Medium distribution NEMA 6 distribution NEMA 7x6 distribution |

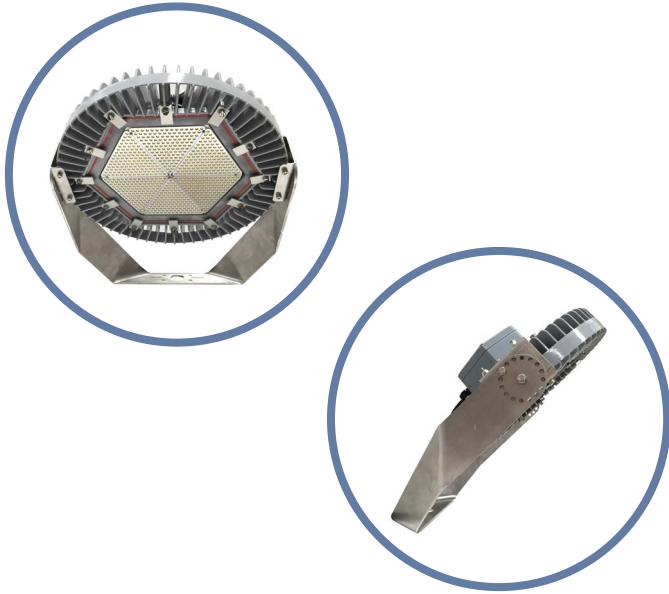
IES files: Available at www.dialight.com

All values typical unless otherwise stated (tolerance +/- 10%)

DISCLAIMER. All product information provided is, to the best of Dialight's knowledge, accurate as of the date of publication. When ordering, refer to www.dialight.com for current versions of: (a) relevant product documentation (including the relevant product data sheets); (b) Dialight terms and conditions of sale; and, (c) the relevant product warranty. To the extent that any contract is deemed formed between Dialight and the purchaser of Dialight products and/or an end-user, versions of documents available at www.dialight.com as at the date of sale shall be the versions incorporated therein. In the event of any discrepancy between this document or information provided at www.dialight.com, the latter shall prevail.

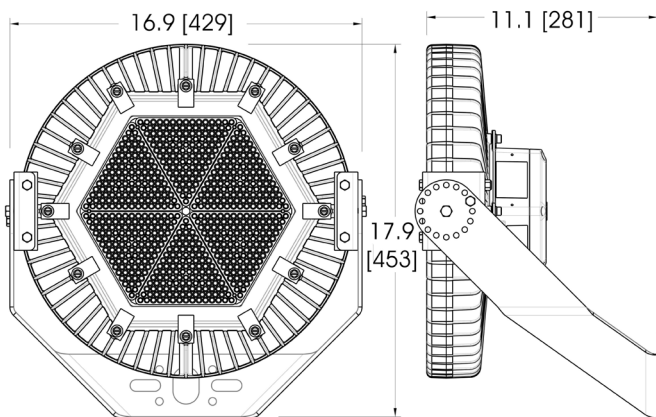
Vigilant® LED Single Floodlight - UL / CSA

Standard Models



Certifications & Ratings

- UL 1598/A
- CSA C22.2 No. 250
- NEMA 4X
- IP66
- IK07



Dimensions in inches [mm]

Mechanical Information:

- Fixture weight:** 34 lb (15.4 kg)
- Shipping weight:** 39 lb (17.7 kg)
- Mounting:** 304 Stainless Steel forward throw bracket
- Entries:** (3) 3/4" NPT cable entries

Electrical Specifications:

- Operating voltage:** 100-277 VAC/120-250 VDC
- Power consumption:** See table
- Operating temp:** -40°C to +65°C (-40°F to +149°F)
- Noise requirement /EMC:** FCC Title 47, Subpart B, Section 15, Class A device. RF Immunity; 10V/m, 80MHz-1GHz
- Surge protection:** 100-277 VAC models tested to withstand up to 8kV/4kA per IEEE C62.41
- THD:** < 20%
- Power factor:** > 0.9

Variable Dimming:

- Variable dimming control:** 0-10 VDC
- Dimming range:** 10 VDC = 100% light output
0 VDC = <10% light output

Construction:

- Housing:** Copper-free aluminum
- Finish:** Superior dual coat finish
- Sealed polyester topcoat
- Epoxy primer
- Lens:** Tempered glass

Photometric Information:

- CRI:** 80
- CCT:** 5000K (cool white)
4000K (neutral white)

- Beam patterns:** NEMA 6 distribution
NEMA 7x6 distribution

- IES files:** Available at www.dialight.com

All values typical unless otherwise stated (tolerance +/- 10%)

WARNING - INSTALLATION & SECONDARY RETENTION. Use of any Dialight products without proper installation (including secondary retention / netting) and periodic inspections could cause severe injury or death. Dialight recommends that all installations should use secondary retention / netting (appropriate to the installation environment) where applicable. It is the exclusive responsibility of the contractor, installer and/or end-user to: (a) determine the suitability of the product for its intended application; and, (b) ensure that the product is safely installed (with secondary retention / netting where appropriate) and in compliance with all applicable laws and regulations. To the extent permissible under applicable laws, Dialight disclaims all liability for personal injury and/or other damage resulting from any dislodgment or other dislocation of its products.

Vigilant® LED Floodlight - UL / CSA

Ordering Information

| Standard Models - 100-277 VAC/120-250 VDC | | | | | | | | |
|---|--------------------|----------------|---------|------|-----------------------------|--------------------|-------------------------|-------------------|
| Part Number | Legacy Part Number | Fixture Lumens | Wattage | lm/W | Voltage | CCT | Lens | Beam Distribution |
| Dual Floodlight Models | | | | | | | | |
| FDU76C2MDSNNGN | FLWB66NC2NG | 56,000 | 385 | 145 | 100-277 VAC/ 120-250 VDC | 5000K (cool white) | Clear Tempered Glass | NEMA 6 |
| FDU7MC2MDSNNGN | FLWBM0NC2NG | 54,000 | 385 | 140 | 100-277 VAC/ 120-250 VDC | 5000K (cool white) | Clear Tempered Glass | Medium |
| FDU77C2MDSNNGN | FLWB76NC2NG | 54,000 | 380 | 142 | 100-277 VAC/ 120-250 VDC | 5000K (cool white) | Clear Tempered Glass | NEMA 7x6 |
| FDU76C2HDSNNGN | FLW966NC2NG | 39,000 | 270 | 144 | 100-277 VAC/ 120-250 VDC | 5000K (cool white) | Clear Tempered Glass | NEMA 6 |
| FDU77C2HDSNNGN | FLW976NC2NG | 37,500 | 265 | 141 | 100-277 VAC/ 120-250 VDC | 5000K (cool white) | Clear Tempered Glass | NEMA 7x6 |
| Single Floodlight Models | | | | | | | | |
| FSU76C2EDDNNGN | FLW666JC2NG | 27,500 | 185 | 149 | 100-277 VAC/ 120-250 VDC | 5000K (cool white) | Clear Tempered Glass | NEMA 6 |
| FSU77C2EDDNNGN | FLW676JC2NG | 26,400 | 185 | 143 | 100-277 VAC/ 120-250 VDC | 5000K (cool white) | Clear Tempered Glass | NEMA 7x6 |

All values typical unless otherwise stated (tolerance +/- 10%).

For neutral white models, replace the 6th character (standard) / 8th character (legacy) with an **N**. Ex. FDU76**C**2MDSNNGN / FLWB66**N**C2NG becomes FDU76**N**2MDSNNGN / FLWB66**N**C2NG. For warm white models, replace the 6th character (standard) / 8th character (legacy) with an **W**. Ex. FDU76**C**2MDSNNGN / FLWB66**N**C2NG becomes FDU76**W**2MDSNNGN / FLWB66**N**W2NG.

| Standard Models - 347/480 VAC | | | | | | | | | | |
|-------------------------------|--------------------|----------------|---------|---------|---------|---------|-------------|--------------------|----------------|-------------------|
| Part Number | Legacy Part Number | Fixture Lumens | Wattage | | lm/W | | Voltage | CCT | Lens | Beam Distribution |
| | | | 347 VAC | 480 VAC | 347 VAC | 480 VAC | | | | |
| Dual Floodlight Models | | | | | | | | | | |
| FDU76CAMDSNNGN | FLWB66NC5NG | 56,000 | 457 | 409 | 122 | 136 | 347/480 VAC | 5000K (cool white) | Tempered Glass | NEMA 6 |
| FDU7MCAMDSNNGN | FLWBM0NC5NG | 54,000 | 457 | 409 | 118 | 132 | 347/480 VAC | 5000K (cool white) | Tempered Glass | Medium |
| FDU77CAMDSNNGN | FLWB76NC5NG | 54,000 | 452 | 404 | 119 | 133 | 347/480 VAC | 5000K (cool white) | Tempered Glass | NEMA 7x6 |
| FDU76CAHDSNNGN | FLW966NC5NG | 39,000 | 342 | 294 | 114 | 132 | 347/480 VAC | 5000K (cool white) | Tempered Glass | NEMA 6 |
| FDU77CAHDSNNGN | FLW976NC5NG | 37,500 | 337 | 289 | 111 | 129 | 347/480 VAC | 5000K (cool white) | Tempered Glass | NEMA 7x6 |

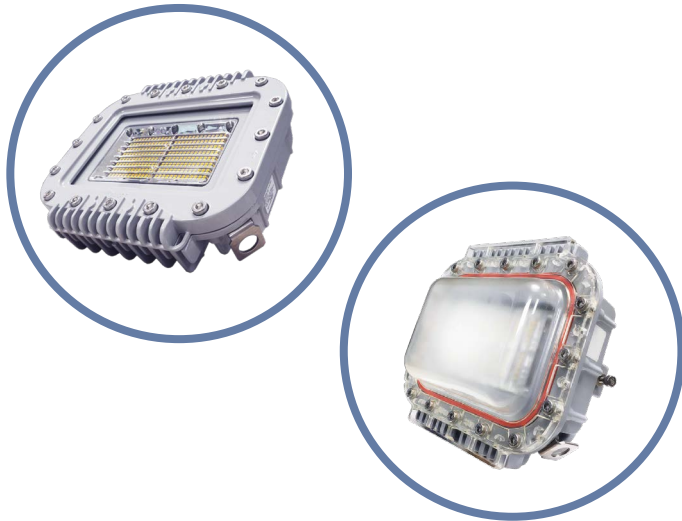
All values typical unless otherwise stated (tolerance +/- 10%).

For neutral white models, replace the 6th character (standard) / 8th character (legacy) with an **N**. Ex. FDU76**C**AMDSNNGN / FLWB66**N**C5NG becomes FDU76**N**AMDSNNGN / FLWB66**N**C5NG. For warm white models, replace the 6th character (standard) / 8th character (legacy) with an **W**. Ex. FDU76**C**AMDSNNGN / FLWB66**N**C5NG becomes FDU76**W**AMDSNNGN / FLWB66**N**W5NG.

DISCLAIMER. All product information provided is, to the best of Dialight's knowledge, accurate as of the date of publication. When ordering, refer to www.dialight.com for current versions of: (a) relevant product documentation (including the relevant product data sheets); (b) Dialight terms and conditions of sale; and, (c) the relevant product warranty. To the extent that any contract is deemed formed between Dialight and the purchaser of Dialight products and/or an end-user, versions of documents available at www.dialight.com as at the date of sale shall be the versions incorporated therein. In the event of any discrepancy between this document or information provided at www.dialight.com, the latter shall prevail.

Vigilant® LED Area Light

100-277 VAC, 120-250 VDC

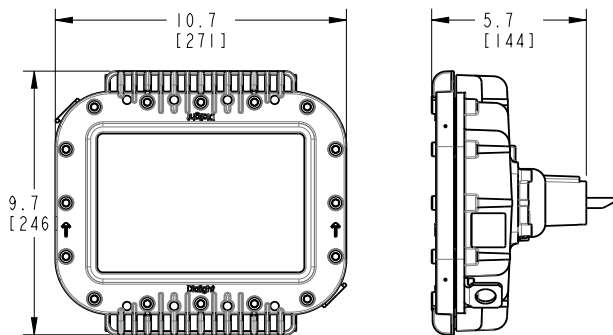


Certifications & Ratings*

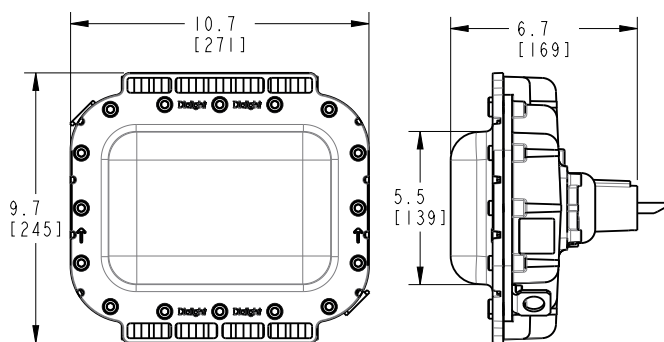
- 10 year warranty
- UL 1598/A
- CSA C22.2 No. 250
- IP66 / 67 / 69
- NEMA 4X
- L70 > 150,000 hours @ 65°C

*ETL listed

Tempered Glass Lens



Polycarbonate Lens



Dimensions in inches [mm]

WARNING - INSTALLATION & SECONDARY RETENTION. Use of any Dialight products without proper installation (including secondary retention / netting) and periodic inspections could cause severe injury or death. Dialight recommends that all installations should use secondary retention / netting (appropriate to the installation environment) where applicable. It is the exclusive responsibility of the contractor, installer and/or end-user to: (a) determine the suitability of the product for its intended application; and, (b) ensure that the product is safely installed (with secondary retention / netting where appropriate) and in compliance with all applicable laws and regulations. To the extent permissible under applicable laws, Dialight disclaims all liability for personal injury and/or other damage resulting from any dislodgment or other dislocation of its products.

Mechanical Information:

Fixture weight: 10 lb (4.5 kg) - Polycarbonate lens
12 lb (5.5 kg) - Tempered glass lens
with stainless steel bracket: 13 lb (5.9 kg) - Polycarbonate lens
15 lb (6.8 kg) - Tempered glass lens

Shipping weight: Add 2 lb (0.91 kg) to weights above

Impact rating: IK10 - Polycarbonate lens
IK07 - Tempered glass lens

Cabling: 10' ST00W 1.02 mm 18 AWG

Mounting: Secondary retention standard

Electrical Specifications:

Operating voltage: 100-277 VAC 50/60Hz, 120-250 VDC

Operating temperature: -40°F to +149°F (-40°C to +65°C)

EMC: FCC Title 47, Subpart B, Section 15, Class A device
CISPR-15
RF Immunity 20V/m 80MHz-1GHz.

Transient protection: 6 kV, 2 Ohm line-line and line-ground

Harmonics: IEC 61000-3-2, Class C

THD: < 20%

Power factor: > 0.9

Construction:

Housing: Copper-free aluminum

Finish: Superior dual coat finish
- Sealed polyester topcoat

Lens: Hard-coated polycarbonate
Tempered glass

Photometric Information:

CRI: 80

CCT: 5000K (cool white)
4000K (neutral white)

Optics: 360°
180° forward throw for 45° mounting
Wide for 0° mounting

All values typical unless otherwise stated (tolerance +/- 10%)

Vigilant® LED Area Light

100-277 VAC, 120-250 VDC with Mounting Adapters

Universal Mounting Adapter



For use with HZXW01, HZXW45 or HZXS45 brackets sold separately



HZXW01



HZXS45



HZXW45

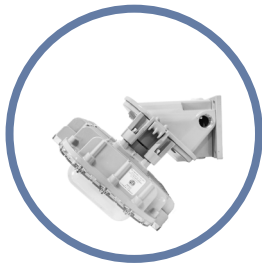
Wall Mount



45° Stanchion Mount



45° Wall Mount



Certifications & Ratings*

- 10 year warranty
- UL 1598/A
- CSA C22.2 No. 250
- IP66 / 67 / 69
- NEMA 4X
- L70 > 150,000 hours @ 65°C

*ETL listed

Mechanical Information:

Fixture weight:

UMA models: 12 lb (5.5 kg) - Polycarbonate lens
15 lb (6.8 kg) - Tempered glass lens

Wall mount models:

15 lb (6.8 kg) - Polycarbonate lens
18 lb (8.2 kg) - Tempered glass lens

45° wall mount models:

14 lb (6.4 kg) - Polycarbonate lens
17 lb (7.7 kg) - Tempered glass lens

45° stanchion mount:

15 lb (6.8 kg) - Polycarbonate lens
18 lb (8.2 kg) - Tempered glass lens

Shipping weight:

Add 2 lb (0.91 kg) to weights above

Impact rating:

IK10 - Polycarbonate lens
IK07 - Tempered glass lens

Cabling:

14" leads 1.02 mm 18 AWG

Mounting:

Secondary retention standard

Electrical Specifications:

Operating voltage:

100-277 VAC 50/60 Hz, 120-250 VDC

Operating temperature:

-40°F to +149°F (-40°C to +65°C)

EMC:

FCC Title 47, Subpart B, Section 15,
Class A device
CISPR-15
RF Immunity 20V/m 80MHz-1GHz.

Transient protection:

6 kV, 2 Ohm line-line and line-ground

Harmonics:

IEC 61000-3-2, Class C

THD:

< 20%

Power factor:

> 0.9

Construction:

Housing:

Copper-free aluminum

Finish:

Superior dual coat finish
- Sealed polyester topcoat

Lens:

Hard-coated polycarbonate
Tempered glass

Photometric Information:

CRI:

80

CCT:

5000K (cool white)
4000K (neutral white)

Optics:

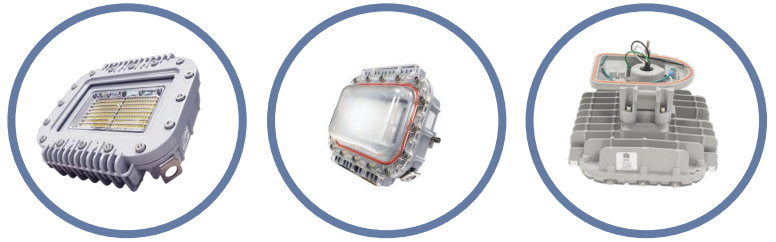
360°
180° forward throw for 45° mounting
Wide for 0° mounting

All values typical unless otherwise stated (tolerance +/- 10%)

WARNING - INSTALLATION & SECONDARY RETENTION. Use of any Dialight products without proper installation (including secondary retention / netting) and periodic inspections could cause severe injury or death. Dialight recommends that all installations should use secondary retention / netting (appropriate to the installation environment) where applicable. It is the exclusive responsibility of the contractor, installer and/or end-user to: (a) determine the suitability of the product for its intended application; and, (b) ensure that the product is safely installed (with secondary retention / netting where appropriate) and in compliance with all applicable laws and regulations. To the extent permissible under applicable laws, Dialight disclaims all liability for personal injury and/or other damage resulting from any dislodgment or other dislocation of its products.

Vigilant® LED Area Light

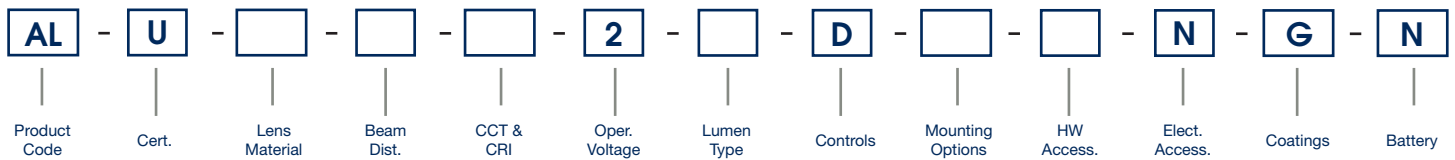
100-277 VAC, 120-250 VDC



| Project Information | |
|---------------------|-------|
| Part Number: | |
| Project: | |
| Fixture Type: | Date: |

| Specifications |
|----------------|
| |
| |
| |

Ordering Information



| Product Code |
|---------------|
| AL Area Light |

| Certification |
|--------------------------------|
| U UL 1598/A CSA 22.2 No. 250.0 |

| Lens Material |
|----------------------------|
| 5 Polycarbonate - Diffused |
| 7 Tempered Glass |

| Beam Distribution |
|-------------------|
| A 180° |
| B 360° |
| W Wide |

| CCT & CRI |
|--------------------------------|
| C Cool White 5000K - 80 CRI |
| N Neutral White 4000K - 80 CRI |

| Operating Voltage |
|----------------------------|
| 2 100-277 VAC, 120-250 VDC |

| Lumen Type |
|------------------------|
| 3 3,001 - 4,000 Lumens |
| 4 4,001 - 5,000 Lumens |
| 6 5,001 - 6,000 Lumens |
| 7 6,001 - 7,000 Lumens |
| 9 8,001 - 9,000 Lumens |

*For lumen output see page 10

| Controls |
|-------------------|
| D Dimming (0-10V) |

| Mounting Options |
|--|
| Retro-fit Adapter |
| Universal Mounting Adapter (UMA) |
| A Appleton Mercmaster III |
| B Swivel Bracket, Locking 0° - 90° 316 Stainless Steel |
| C Crouse-Hinds - Champ |
| G GE Filtr-Gard |
| H Thomas & Betts Hazlux |
| K Killark Certilite & Certilite V |
| M Appleton Mercmaster II |
| N 3/4" NPT |
| S 45° Stanchion Mount |
| U UMA - Mounting Hub |
| V 0° Wall Mount |
| W 45° Wall Mount |

| Hardware Accessories |
|--|
| N For Mounting Options - A, C, G, H, K, M, S, U, V, W, Y (individual wire leads are terminated in adapter housing) |
| W 10 ft (3 meter) Power Cable for Mounting Options - B, N |

| Electrical Accessories |
|------------------------|
| N No Option |

| Coatings |
|-------------------|
| G Gray (RAL 7040) |

| Battery |
|-------------|
| N No Option |

| Notes |
|---|
| 1) When ordering Beam Distribution W - Wide: Lumen Type = 7. |
| 2) When ordering Mounting Options "UMA" or "Retro-fit": Hardware Accessories = N. |
| 3) When ordering Mounting Option U - UMA Mounting Hub HZXW01, HZXW45, HZXS45 or HZXC34 are required. See page 37 for details. |

DISCLAIMER. All product information provided is, to the best of Dialight's knowledge, accurate as of the date of publication. When ordering, refer to www.dialight.com for current versions of: (a) relevant product documentation (including the relevant product data sheets); (b) Dialight terms and conditions of sale; and, (c) the relevant product warranty. To the extent that any contract is deemed formed between Dialight and the purchaser of Dialight products and/or an end-user, versions of documents available at www.dialight.com as at the date of sale shall be the versions incorporated therein. In the event of any discrepancy between this document or information provided at www.dialight.com, the latter shall prevail.

Ordering Information

Vigilant® LED Area Light - 100-277 VAC, 120-250 VDC



100-277 VAC, 120-250 VDC Model

| Part Number | Lumens | Wattage | lm/W | CCT | CRI | Lens | Beam Distribution | Controls Option | Mounting |
|-------------------|--------|---------|------|-----|-----|------------------------|-------------------|-----------------|--------------|
| ALU-7BC2-9DNW-NGN | 9,000 | 66 | 136 | CW | 80 | Tempered Glass | 360° | Dimming | 3/4" Conduit |
| ALU-5BC2-9DNW-NGN | 8,300 | 66 | 126 | CW | 80 | Polycarbonate Diffused | 360° | Dimming | 3/4" Conduit |
| ALU-7BC2-7DNW-NGN | 7,300 | 52 | 140 | CW | 80 | Tempered Glass | 360° | Dimming | 3/4" Conduit |
| ALU-5BC2-7DNW-NGN | 6,700 | 52 | 129 | CW | 80 | Polycarbonate Diffused | 360° | Dimming | 3/4" Conduit |
| ALU-5AC2-7DNW-NGN | 6,600 | 52 | 127 | CW | 80 | Polycarbonate Diffused | 180° | Dimming | 3/4" Conduit |
| ALU-7BC2-6DNW-NGN | 5,700 | 40 | 143 | CW | 80 | Tempered Glass | 360° | Dimming | 3/4" Conduit |
| ALU-5BC2-6DNW-NGN | 5,300 | 40 | 133 | CW | 80 | Polycarbonate Diffused | 360° | Dimming | 3/4" Conduit |
| ALU-5AC2-6DNW-NGN | 5,100 | 40 | 128 | CW | 80 | Polycarbonate Diffused | 180° | Dimming | 3/4" Conduit |
| ALU-7BC2-4DNW-NGN | 4,200 | 30 | 140 | CW | 80 | Tempered Glass | 360° | Dimming | 3/4" Conduit |
| ALU-5BC2-4DNW-NGN | 3,900 | 30 | 130 | CW | 80 | Polycarbonate Diffused | 360° | Dimming | 3/4" Conduit |
| ALU-7BC2-4DNW-NGN | 4,200 | 30 | 140 | CW | 80 | Tempered Glass | 360 | Dimming | 3/4" Conduit |

All values typical unless otherwise stated (tolerance +/- 10%).

See ordering chart for additional options.

100-277 VAC, 120-250 VDC Model with Retro-fit Adapters

| Part Number | Lumens | Wattage | lm/W | CCT | CRI | Lens | Beam Distribution | Controls Option | Mounting |
|-------------------|--------|---------|------|-----|-----|------------------------|-------------------|-----------------|--------------------------|
| ALU-7BC2-9DCN-NGN | 9,000 | 66 | 136 | CW | 80 | Tempered Glass | 360° | Dimming | Crouse-Hinds Retro-fit |
| ALU-5BC2-9DCN-NGN | 8,300 | 66 | 126 | CW | 80 | Polycarbonate Diffused | 360° | Dimming | Crouse-Hinds Retro-fit |
| ALU-5BC2-7DAN-NGN | 6,700 | 69 | 97 | CW | 80 | Polycarbonate Diffused | 360° | Dimming | Appleton M III Retro-fit |
| ALU-5BC2-7DCN-NGN | 6,700 | 52 | 129 | CW | 80 | Polycarbonate Diffused | 360° | Dimming | Crouse-Hinds Retro-fit |
| ALU-5BC2-7DGN-NGN | 6,700 | 52 | 129 | CW | 80 | Polycarbonate Diffused | 360° | Dimming | GE H2 Retro-fit |
| ALU-7BC2-6DCN-NGN | 5,700 | 40 | 143 | CW | 80 | Tempered Glass | 360° | Dimming | Crouse-Hinds Retro-fit |
| ALU-5BC2-6DAN-NGN | 5,300 | 40 | 133 | CW | 80 | Polycarbonate Diffused | 360° | Dimming | Appleton M III Retro-fit |
| ALU-5BC2-6DCN-NGN | 5,300 | 40 | 133 | CW | 80 | Polycarbonate Diffused | 360° | Dimming | Crouse-Hinds Retro-fit |
| ALU-5BC2-6DGN-NGN | 5,300 | 40 | 133 | CW | 80 | Polycarbonate Diffused | 360° | Dimming | GE H2 Retro-fit |
| ALU-7AC2-4DAN-NGN | 4,100 | 30 | 137 | CW | 80 | Tempered Glass | 180° | Dimming | Appleton M III Retro-fit |

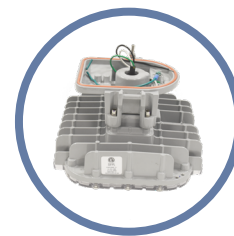
All values typical unless otherwise stated (tolerance +/- 10%).

See ordering chart for additional options.

DISCLAIMER. All product information provided is, to the best of Dialight's knowledge, accurate as of the date of publication. When ordering, refer to www.dialight.com for current versions of: (a) relevant product documentation (including the relevant product data sheets); (b) Dialight terms and conditions of sale; and, (c) the relevant product warranty. To the extent that any contract is deemed formed between Dialight and the purchaser of Dialight products and/or an end-user, versions of documents available at www.dialight.com as at the date of sale shall be the versions incorporated therein. In the event of any discrepancy between this document or information provided at www.dialight.com, the latter shall prevail.

Ordering Information

Vigilant® LED Area Light - 100-277 VAC, 120-250 VDC with Mounting Adapters



HZXW01



HZXS45



HZXW45

100-277 VAC, 120-250 VDC Model with Mounting Adapters

| Part Number | Lumens | Wattage | lm/W | CCT | CRI | Lens | Beam Distribution | Controls Option | Mounting |
|-------------------|--------|---------|------|-----|-----|------------------------|-------------------|-----------------|----------------------------|
| ALU-7BC2-9DUN-NGN | 9,000 | 66 | 136 | CW | 80 | Tempered Glass | 360° | Dimming | Universal Mounting Adapter |
| ALU-5BC2-9DUN-NGN | 8,300 | 66 | 126 | CW | 80 | Polycarbonate Diffused | 360° | Dimming | Universal Mounting Adapter |
| ALU-5BC2-7DSN-NGN | 6,700 | 68 | 99 | CW | 80 | Polycarbonate Diffused | 360° | Dimming | Stanchion 45° |
| ALU-5BC2-7DWN-NGN | 6,700 | 52 | 129 | CW | 80 | Polycarbonate Diffused | 360° | Dimming | Wall Mount 45° |
| ALU-5AC2-7DSN-NGN | 6,600 | 52 | 127 | CW | 80 | Polycarbonate Diffused | 180° | Dimming | Stanchion 45° |
| ALU-5AC2-7DWN-NGN | 6,600 | 52 | 127 | CW | 80 | Polycarbonate Diffused | 180° | Dimming | Wall Mount 45° |
| ALU-7BC2-6DUN-NGN | 5,700 | 40 | 143 | CW | 80 | Tempered Glass | 360° | Dimming | Universal Mounting Adapter |
| ALU-5BC2-6DSN-NGN | 5,300 | 40 | 133 | CW | 80 | Polycarbonate Diffused | 360° | Dimming | Stanchion 45° |
| ALU-5BC2-6DUN-NGN | 5,300 | 40 | 133 | CW | 80 | Polycarbonate Diffused | 360° | Dimming | Universal Mounting Adapter |
| ALU-5BC2-6DVN-NGN | 5,300 | 40 | 133 | CW | 80 | Polycarbonate Diffused | 360° | Dimming | Wall Mount 0° |
| ALU-5BC2-6DWN-NGN | 5,300 | 40 | 133 | CW | 80 | Polycarbonate Diffused | 360° | Dimming | Wall Mount 45° |
| ALU-5AC2-6DSN-NGN | 5,100 | 40 | 128 | CW | 80 | Polycarbonate Diffused | 180° | Dimming | Stanchion 45° |
| ALU-5BC2-4DSN-NGN | 3,900 | 30 | 130 | CW | 80 | Polycarbonate Diffused | 360° | Dimming | Stanchion 45° |

All values typical unless otherwise stated (tolerance +/- 10%).

See ordering chart for additional options.

Vigilant® LED Area Light

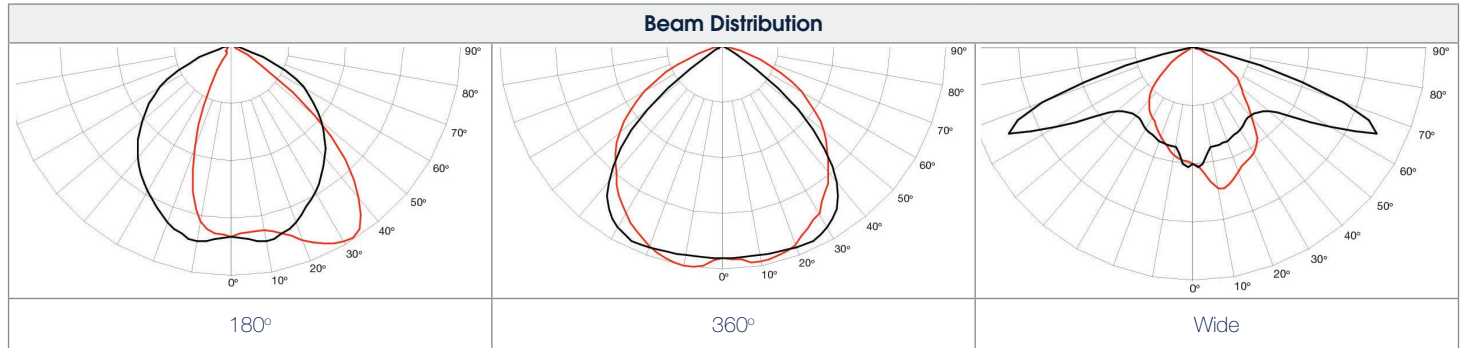
Lumen Tables

| 100-277 VAC, 120-250 VDC | | | | | | | | | |
|--------------------------|-------------------|----------------------|---------|--------------------|------------------|--------------------|------------------|--------------------|------------------|
| Output Family | Beam Distribution | Lens | Wattage | Lumens 5000 CCT | 5000 CCT lm/W | Lumens 4000 CCT | 4000 CCT lm/W | Lumens 2700 CCT | 2700 CCT lm/W |
| 9,000 | 360° | Tempered Glass | 66 | 9000 | 136 | 8800 | 134 | 8200 | 124 |
| | | Class I, Div 1 Glass | | 8600 | 131 | 8400 | 128 | 7900 | 120 |
| | | Polycarbonate | | 8300 | 127 | 8100 | 123 | 7600 | 115 |
| | 180° | Tempered Glass | | 8800 | 134 | 8600 | 131 | 8000 | 121 |
| | | Class I, Div 1 Glass | | 8400 | 128 | 8200 | 125 | 7700 | 117 |
| | | Polycarbonate | | 8100 | 124 | 7900 | 120 | 7400 | 112 |
| 7,300 | 360° | Tempered Glass | 52 | 7300 | 140 | 7100 | 138 | 6700 | 129 |
| | | Class I, Div 1 Glass | | 7000 | 135 | 6800 | 132 | 6400 | 123 |
| | | Polycarbonate | | 6700 | 131 | 6500 | 126 | 6100 | 117 |
| | 180° | Tempered Glass | | 7100 | 138 | 6900 | 134 | 6500 | 125 |
| | | Class I, Div 1 Glass | | 6800 | 132 | 6600 | 128 | 6200 | 119 |
| | | Polycarbonate | | 6600 | 128 | 6400 | 124 | 6000 | 115 |
| | Wide | Tempered Glass | | 7300 | 114 | 7100 | 112 | 6700 | 105 |
| | | Class I, Div 1 Glass | | 7000 | 110 | 6800 | 107 | 6400 | 100 |
| | | Polycarbonate | | 6700 | 106 | 6500 | 103 | 6100 | 95 |
| 5,700 | 360° | Tempered Glass | 40 | 5700 | 143 | 5500 | 140 | 5200 | 130 |
| | | Class I, Div 1 Glass | | 5400 | 137 | 5200 | 132 | 4900 | 123 |
| | | Polycarbonate | | 5300 | 133 | 5100 | 130 | 4800 | 120 |
| | 180° | Tempered Glass | | 5500 | 140 | 5300 | 135 | 5000 | 125 |
| | | Class I, Div 1 Glass | | 5300 | 134 | 5100 | 130 | 4800 | 120 |
| | | Polycarbonate | | 5100 | 130 | 4900 | 125 | 4600 | 115 |
| 4,200 | 360° | Tempered Glass | 30 | 4200 | 140 | 4100 | 137 | 3800 | 127 |
| | | Class I, Div 1 Glass | | 4000 | 134 | 3900 | 131 | 3600 | 120 |
| | | Polycarbonate | | 3900 | 130 | 3800 | 127 | 3900 | 130 |
| | 180° | Tempered Glass | | 4100 | 137 | 4000 | 134 | 4100 | 137 |
| | | Class I, Div 1 Glass | | 3900 | 132 | 3800 | 127 | 3900 | 130 |
| | | Polycarbonate | | 3800 | 127 | 3700 | 124 | 3400 | 113 |
| 3,100 | 360° | Tempered Glass | 24 | 3100 | 129 | 3000 | 127 | 2800 | 117 |
| | | Class I, Div 1 Glass | | 2900 | 124 | 2900 | 121 | 2600 | 108 |
| | | Polycarbonate | | 2800 | 120 | 2700 | 114 | 2500 | 104 |
| | 180° | Tempered Glass | | 3000 | 127 | 2900 | 123 | 2700 | 113 |
| | | Class I, Div 1 Glass | | 2900 | 121 | 2800 | 118 | 2600 | 108 |
| | | Polycarbonate | | 2800 | 118 | 2700 | 114 | 2500 | 104 |

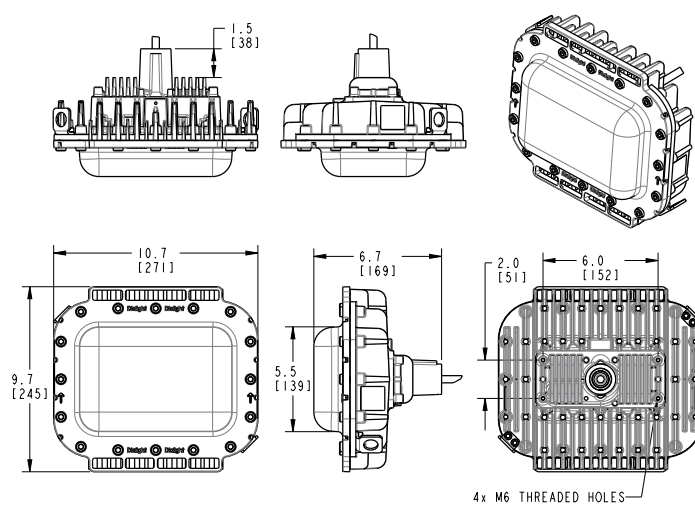
All values typical unless otherwise stated (tolerance +/- 10%).
For lighting layouts, please find IES files at www.dialight.com

Vigilant® LED Area Light

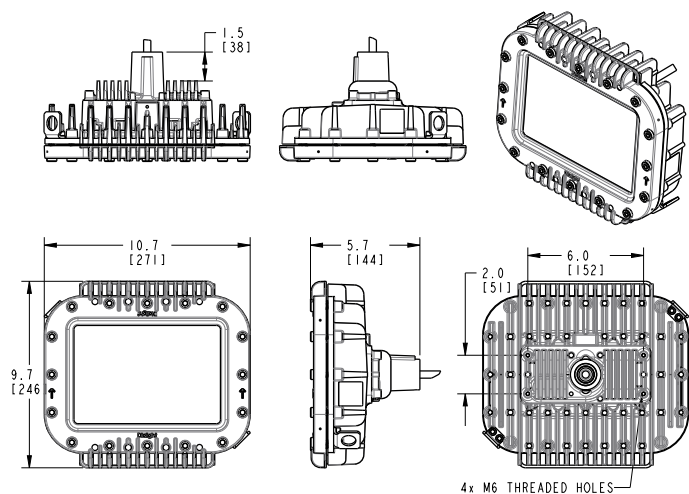
Beam Distribution & Dimensional Drawings



Polycarbonate Lens - Option 5



Tempered Glass Lens - Option 7



DISCLAIMER. All product information provided is, to the best of Dialight's knowledge, accurate as of the date of publication. When ordering, refer to www.dialight.com for current versions of: (a) relevant product documentation (including the relevant product data sheets); (b) Dialight terms and conditions of sale; and, (c) the relevant product warranty. To the extent that any contract is deemed formed between Dialight and the purchaser of Dialight products and/or an end-user, versions of documents available at www.dialight.com as at the date of sale shall be the versions incorporated therein. In the event of any discrepancy between this document or information provided at www.dialight.com, the latter shall prevail.

Vigilant® LED Area Light

Accessories



ALxxx2xDUNxGN

Fixtures are available with a universal mounting adapter factory installed, see product N-chart for details. Choose from one of the four available mounting options:



Wall Mount
HZXW01



45° Wall Mount
HZXW45



45° Stanchion Mount
HZXS45



34mm Slip-fit Pole Mount
HZXC34



Certified to: UL 50E • CSA C22.2 No. 94.2-07

HZXSTAN100S

- 1.00" (1.315" Pole OD) Slip-fit stanchion mount

HZXSTAN125S

- 1.25" (1.660" Pole OD) Slip-fit stanchion mount

HZXSTAN150S

- 1.50" (1.900" Pole OD) Slip-fit stanchion mount

HZXSTAN200S

- 2.00" (2.375" Pole OD) Slip-fit stanchion mount

HZXSTAN100T

- 1.00" (1.315" Pole OD) NPT threaded stanchion mount

HZXSTAN125T

- 1.25" (1.660" Pole OD) NPT threaded stanchion mount

HZXSTAN150T

- 1.50" (1.900" Pole OD) NPT threaded stanchion mount

HZXSTAN200T

- 2.00" (2.375" Pole OD) NPT threaded stanchion mount



HZXW3

- 316 stainless steel bracket

HZXW7

- Aluminum bracket



HZXW4

- 316 stainless steel bracket with pipe clamp

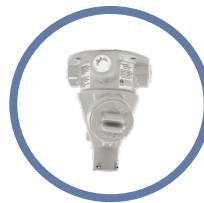
HZXW8

- Aluminum bracket with pipe clamp



HZXSAFECBLS

- Safety cable kit



Certified to: UL 50E • UL 1203

ISA 12.12.01 • CSA C22.2 No. 94.2-07

HBXC1

- 0.75" NPT Ceiling mount



Certified to: UL 50E • CSA C22.2 No. 94.2-07

HZXJB075

- 0.75" Ceiling / Wall / Pole mount junction box

HZXJB100

- 1.00" Ceiling / Wall / Pole mount junction box

HZXJB125

- 1.25" Ceiling / Wall / Pole mount junction box

HZXJB150

- 1.50" Ceiling / Wall / Pole mount junction box



Certified to: UL 50E • CSA C22.2 No. 94.2-07

HZXJB075PC1

- 0.75" Junction box with photocell

HZXJB100PC1

- 1.00" Junction box with photocell

HZXJB125PC1

- 1.25" Junction box with photocell

HZXJB150PC1

- 1.50" Junction box with photocell

Please reference spec sheet at www.dialight.com for all dimensional drawings of mounting options.

DISCLAIMER. All product information provided is, to the best of Dialight's knowledge, accurate as of the date of publication. When ordering, refer to www.dialight.com for current versions of: (a) relevant product documentation (including the relevant product data sheets); (b) Dialight terms and conditions of sale; and, (c) the relevant product warranty. To the extent that any contract is deemed formed between Dialight and the purchaser of Dialight products and/or an end-user, versions of documents available at www.dialight.com as at the date of sale shall be the versions incorporated therein. In the event of any discrepancy between this document or information provided at www.dialight.com, the latter shall prevail.

Vigilant® LED Area Light

Retro-fit Options

Retro-fit adapters can be factory installed. See product ordering information for details.

- Eaton's Crouse-Hinds – Champ®
- GE Lighting Solutions – Filtr-Gard™
- Holophane Petrolux® II, III
- Thomas & Betts Hazlux®
- Appleton® Mercmaster III
- Appleton® Mercmaster II
- Killark® Certilite® & Certilite® V

*Petrolux adapter available as a standalone accessory only



| Eaton's Crouse-Hinds – Champ® - HZXTCH | | | | |
|--|---------|------|-----------|------------|
| Pendant | Ceiling | Wall | Stanchion | Quad Mount |
| APM2 | CM2 | TWM2 | JM5 | QM25 |
| APM3 | CM3 | TWM3 | PM5 | |
| HPM2 | | | | |



| GE Lighting Solutions – Filtr-Gard™ - HZXTHGE | | | | |
|---|---------|------|-----------|------------|
| Pendant | Ceiling | Wall | Stanchion | Quad Mount |
| 3P | 3F | 3C | 3W | 5S |
| 4P | 4F | | 4W | 6S |
| | | | | 5J, 6J |



| Holophane® Petrolux II, III - HZXTHP3 | | | | |
|---------------------------------------|-----------|-----------|---------|------|
| Pendant | Universal | Stanchion | Ceiling | Wall |
| PD | UN | SA | CD | WL |
| GH | | ST | CE | W |
| P | | A | B, C, D | |

Please reference spec sheet at www.dialight.com for all dimensional drawings of retro-fit options.

DISCLAIMER. All product information provided is, to the best of Dialight's knowledge, accurate as of the date of publication. When ordering, refer to www.dialight.com for current versions of: (a) relevant product documentation (including the relevant product data sheets); (b) Dialight terms and conditions of sale; and, (c) the relevant product warranty. To the extent that any contract is deemed formed between Dialight and the purchaser of Dialight products and/or an end-user, versions of documents available at www.dialight.com as at the date of sale shall be the versions incorporated therein. In the event of any discrepancy between this document or information provided at www.dialight.com, the latter shall prevail.

Vigilant® LED Area Light

Retro-fit Options



| Thomas & Betts Hazlux® - HZXTHTB | | | | |
|----------------------------------|---------------------|---------------------|--------------------|--------------------|
| Pendant | Pendant Cone | Flexible Pendant | Ceiling | Wall |
| VP2 | VA2 | VF2 | VC2 | VB2 |
| VP3 | VA3 | VF3 | VC3 | VB3 |
| Wall | 25° Angle Stanchion | 25° Angle Stanchion | Straight Stanchion | Straight Stanchion |
| VB2-VIB | VS4 | VS4-VIB | VL4 | VL4-VIB |
| VB3-VIB | VS5 | VS5-VIB | VL5 | VL5-VIB |



| Appleton® Mercmaster III - HZXTHAP | | | |
|------------------------------------|---------|----------|-----------|
| Pendant | Ceiling | Wall | Stanchion |
| KPA-75, 100 | KPC-75 | KPWB-75 | KPS-125 |
| KPAF-75, 100 | KPC-100 | KPWB-100 | KPS-150 |
| KPCH-75, 100 | | | KPST-125 |
| | | | KPST-150 |



| Appleton® Mercmaster II - HZXTHM2 | | | |
|-----------------------------------|---------|----------|-----------|
| Pendant | Ceiling | Wall | Stanchion |
| LPA-75 | LPC-75 | LPWB-75 | LPS-125 |
| LPA-100 | LPC-100 | LPWB-100 | LPS-150 |



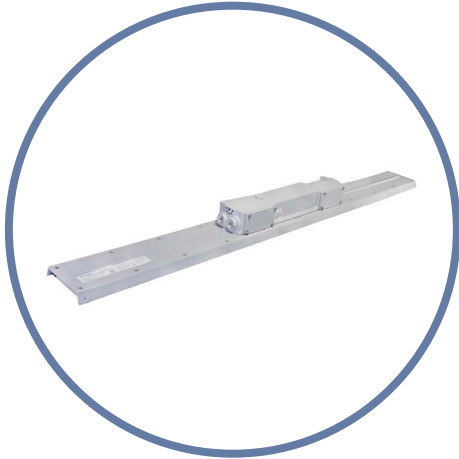
| Killark® Certilite® & Certilite® V - HZXTHKL | | | |
|--|-------------------|---------------|-----------|
| Pendant | Ceiling | Wall | Stanchion |
| VMA2B & VMA-2 | VMX2B & VMX-2 | VMB2B & VMB-2 | VMD4B |
| VMA3B & VMA-3 | VMX3B & VMX-3 | VMB3B & VMB-3 | VMD5B |
| VMC2B & VMC-2 | VMX6B, 7B, 8B, 9B | | VMS5B |
| VMC3B & VMC-3 | | | |
| VMF2B, 3B | | | |

Please reference spec sheet at www.dialight.com for all dimensional drawings of retro-fit options.

DISCLAIMER. All product information provided is, to the best of Dialight's knowledge, accurate as of the date of publication. When ordering, refer to www.dialight.com for current versions of: (a) relevant product documentation (including the relevant product data sheets); (b) Dialight terms and conditions of sale; and, (c) the relevant product warranty. To the extent that any contract is deemed formed between Dialight and the purchaser of Dialight products and/or an end-user, versions of documents available at www.dialight.com as at the date of sale shall be the versions incorporated therein. In the event of any discrepancy between this document or information provided at www.dialight.com, the latter shall prevail.

Vigilant® LED Linear

Low Profile - 10 year warranty

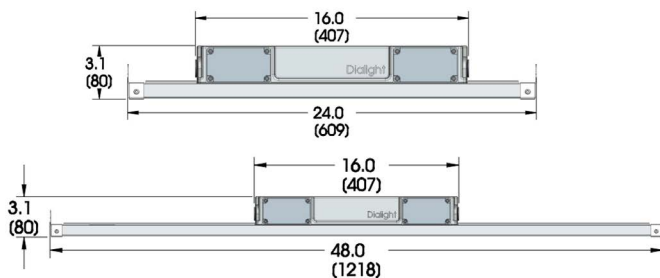


Certifications & Ratings

- UL 1598/A¹
- CSA C22.2 No. 250¹
- IP66/67
- NEMA 4X
- 2000 PSI hose-down rating²
- DLC Premium & Standard

¹ETL listed

²Internally tested



Dimensions in inches [mm]

Mechanical Information:

| | |
|-------------------------|--|
| Fixture weight: | 4' - 11 lb (5.0 kg) 2' - 8 lb (3.6 kg) |
| Shipping weight: | 4' - 12 lb (5.4 kg) 2' - 9 lb (4.1 kg) |
| Mounting: | (4) 3/4" NPT openings Optional swivel bracket - LPXW4 Optional low profile bracket - LPXW4LP |

Variable Dimming:

| | |
|----------------------------------|---|
| Variable dimming control: | 0-10 VDC |
| Dimming range: | 10 VDC = 100% light output 0 VDC = 5% light output |

Electrical Specifications:

| | |
|---------------------------|---|
| Operating voltage: | 100-277 VAC, 50/60Hz 120-250 VDC |
| Power consumption: | See ordering information |
| Operating temp: | -40°F to +149°F (-40°C to +65°C) |
| EMC: | FCC Title 47, Subpart B, Section 15, Class A device. RF Immunity; 10V/m, 80MHz-1GHz |
| Surge protection: | EN 61000-4-5 6 kV line-to-line 6 kV line-to-ground |
| Harmonics: | IEC 61000-3-2 Class C ATHD<20% |
| Power factor: | > 0.9 |

Construction:

| | |
|----------------|--|
| Finish: | Superior dual coat finish - Sealed polyester topcoat - Chemical resistant epoxy primer |
| Lens: | Polycarbonate |

Photometric Information:

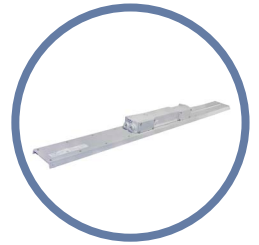
| | |
|-------------------|---|
| CRI: | 80 |
| CCT: | 5000K (cool white) 4000K (neutral white) |
| IES files: | Available at www.dialight.com |

All values typical unless otherwise stated (tolerance +/- 10%)

WARNING - INSTALLATION & SECONDARY RETENTION. Use of any Dialight products without proper installation (including secondary retention / netting) and periodic inspections could cause severe injury or death. Dialight recommends that all installations should use secondary retention / netting (appropriate to the installation environment) where applicable. It is the exclusive responsibility of the contractor, installer and/or end-user to: (a) determine the suitability of the product for its intended application; and, (b) ensure that the product is safely installed (with secondary retention / netting where appropriate) and in compliance with all applicable laws and regulations. To the extent permissible under applicable laws, Dialight disclaims all liability for personal injury and/or other damage resulting from any dislodgment or other dislocation of its products.

Ordering Information

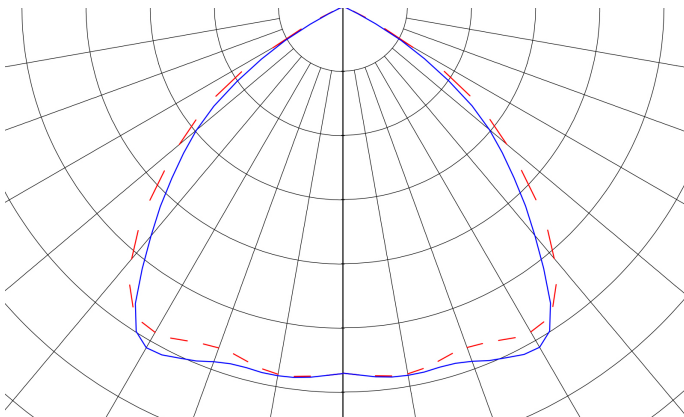
Vigilant® LED Linear - Low Profile - 10 year warranty



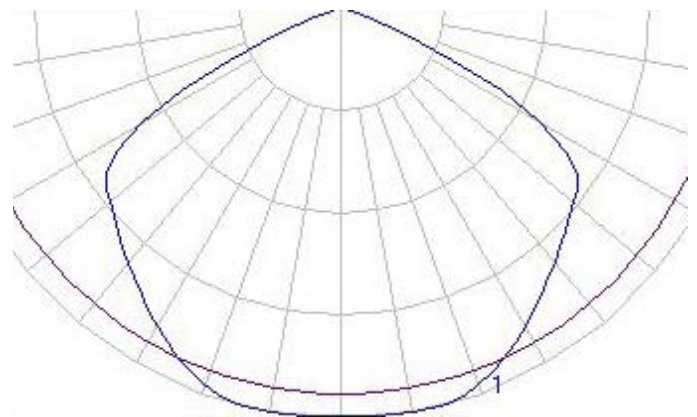
| Part Number (x = CCT placeholder) | Length | CRI | Wattage | Fixture Lumens | | lm/W | | Voltage | Lens | Beam Distribution |
|--------------------------------------|--------|-----|---------|----------------|-------|-------|-------|---------------------------|------------------------|-------------------|
| | | | | 5000K | 4000K | 5000K | 4000K | | | |
| LKU-4M(x)2-9DNN-NGN | 4' | 80 | 70 | 9,600 | 9,300 | 137 | 132 | 100-277 VAC / 120-250 VDC | Clear Polycarbonate | Medium |
| LKU-5M(x)2-9DNN-NGN | 4' | 80 | 70 | 8,800 | 8,500 | 125 | 121 | 100-277 VAC / 120-250 VDC | Diffused Polycarbonate | Medium |
| LKU-4W(x)2-9DNN-NGN | 4' | 80 | 70 | 9,600 | 9,300 | 137 | 132 | 100-277 VAC / 120-250 VDC | Clear Polycarbonate | Wide |
| LKU-4M(x)2-7DNN-NGN | 4' | 80 | 52 | 7,250 | 6,950 | 139 | 134 | 100-277 VAC / 120-250 VDC | Clear Polycarbonate | Medium |
| LKU-5M(x)2-7DNN-NGN | 4' | 80 | 52 | 6,550 | 6,250 | 126 | 120 | 100-277 VAC / 120-250 VDC | Diffused Polycarbonate | Medium |
| LKU-4W(x)2-7DNN-NGN | 4' | 80 | 52 | 7,250 | 6,950 | 139 | 134 | 100-277 VAC / 120-250 VDC | Clear Polycarbonate | Wide |
| LJU-4M(x)2-5DNN-NGN | 2' | 80 | 37 | 4,750 | 4,500 | 128 | 122 | 100-277 VAC / 120-250 VDC | Clear Polycarbonate | Medium |
| LJU-5M(x)2-5DNN-NGN | 2' | 80 | 37 | 4,450 | 4,200 | 120 | 114 | 100-277 VAC / 120-250 VDC | Diffused Polycarbonate | Medium |
| LJU-4W(x)2-5DNN-NGN | 2' | 80 | 37 | 4,750 | 4,500 | 128 | 122 | 100-277 VAC / 120-250 VDC | Clear Polycarbonate | Wide |

All values typical unless otherwise stated (tolerance +/- 10%)
 CCT placeholders - C=5000K (cool white), N= 4000K (neutral white)
 For additional ordering options, please consult factory.

Medium



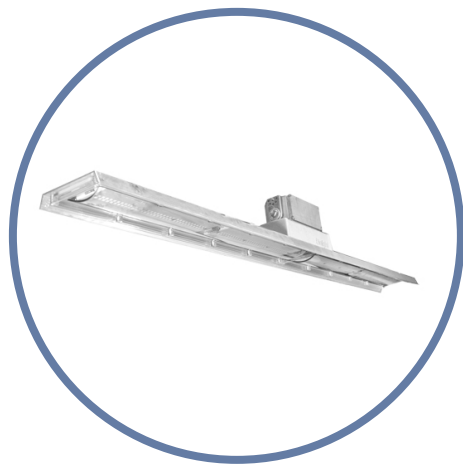
Wide



DISCLAIMER. All product information provided is, to the best of Dialight's knowledge, accurate as of the date of publication. When ordering, refer to www.dialight.com for current versions of: (a) relevant product documentation (including the relevant product data sheets); (b) Dialight terms and conditions of sale; and, (c) the relevant product warranty. To the extent that any contract is deemed formed between Dialight and the purchaser of Dialight products and/or an end-user, versions of documents available at www.dialight.com as at the date of sale shall be the versions incorporated therein. In the event of any discrepancy between this document or information provided at www.dialight.com, the latter shall prevail.

Vigilant® LED Linear

Top Conduit - 10 year warranty

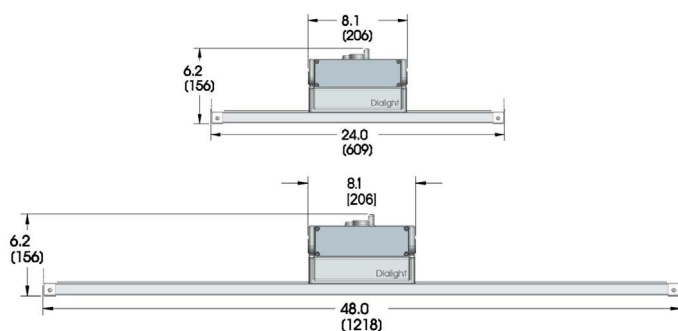


Certifications & Ratings

- UL 1598/A¹
- CSA C22.2 No. 250¹
- IP66/67
- NEMA 4X
- 2000 PSI hose-down rating²
- DLC Premium & Standard

¹ETL listed

²Internally tested



Dimensions in inches [mm]

Mechanical Information:

| | |
|-------------------------|--|
| Fixture weight: | 4' - 11 lb (5.0 kg) 2' - 8 lb (3.6 kg) |
| Shipping weight: | 4' - 12 lb (5.4 kg) 2' - 9 lb (4.1 kg) |
| Mounting: | (4) 3/4" NPT openings Optional swivel bracket - LTXW4 Optional low profile bracket - LTXW4LP |

Variable Dimming:

| | |
|----------------------------------|---|
| Variable dimming control: | 0-10 VDC |
| Dimming range: | 10 VDC = 100% light output 0 VDC = 5% light output |

Electrical Specifications:

| | |
|---------------------------|---|
| Operating voltage: | 100-277 VAC, 50/60Hz 120-250 VDC |
| Power consumption: | See ordering information |
| Operating temp: | -40°F to +149°F (-40°C to +65°C) |
| EMC: | FCC Title 47, Subpart B, Section 15, Class A device. RF Immunity; 10V/m, 80MHz-1GHz |
| Surge protection: | EN 61000-4-5 6 kV line-to-line 6 kV line-to-ground |
| Harmonics: | IEC 61000-3-2 Class C ATHD<20% |
| Power factor: | > 0.9 |

Construction:

| | |
|----------------|--|
| Finish: | Superior dual coat finish - Sealed polyester topcoat - Chemical resistant epoxy primer |
| Lens: | Polycarbonate |

Photometric Information:

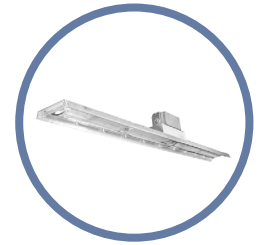
| | |
|-------------------|---|
| CRI: | 80 |
| CCT: | 5000K (cool white) 4000K (neutral white) |
| IES files: | Available at www.dialight.com |

All values typical unless otherwise stated (tolerance +/- 10%)

WARNING - INSTALLATION & SECONDARY RETENTION. Use of any Dialight products without proper installation (including secondary retention / netting) and periodic inspections could cause severe injury or death. Dialight recommends that all installations should use secondary retention / netting (appropriate to the installation environment) where applicable. It is the exclusive responsibility of the contractor, installer and/or end-user to: (a) determine the suitability of the product for its intended application; and, (b) ensure that the product is safely installed (with secondary retention / netting where appropriate) and in compliance with all applicable laws and regulations. To the extent permissible under applicable laws, Dialight disclaims all liability for personal injury and/or other damage resulting from any dislodgment or other dislocation of its products.

Ordering Information

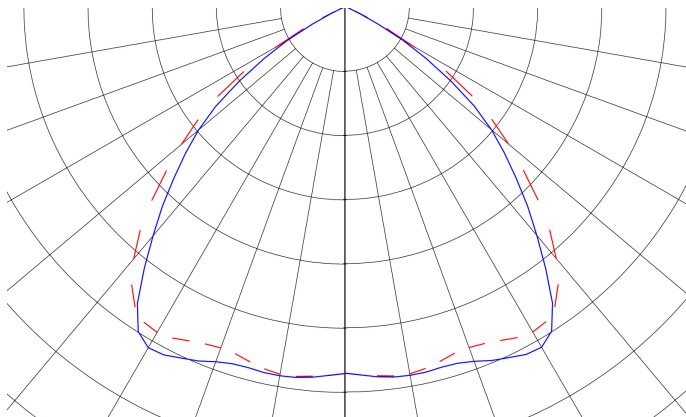
Vigilant® LED Linear - Top Conduit - 10 year warranty



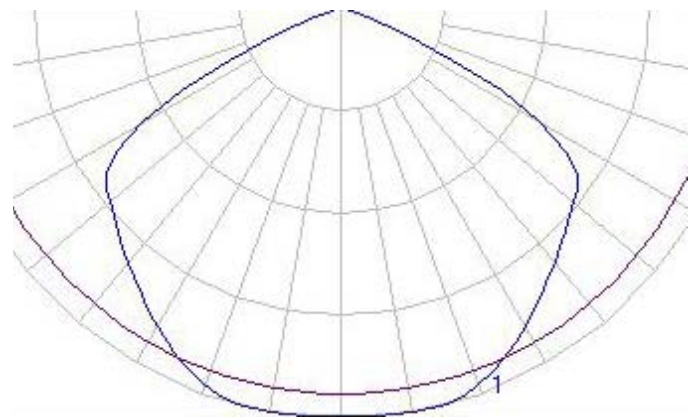
| Part Number (x = CCT placeholder) | Length | CRI | Wattage | Fixture Lumens | | lm/W | | Voltage | Lens | Beam Distribution |
|--------------------------------------|--------|-----|---------|----------------|-------|-------|-------|---------------------------|------------------------|-------------------|
| | | | | 5000K | 4000K | 5000K | 4000K | | | |
| LHU-4M(x)2-9DNN-NGN | 4' | 80 | 70 | 9,600 | 9,300 | 137 | 132 | 100-277 VAC / 120-250 VDC | Clear Polycarbonate | Medium |
| LHU-5M(x)2-9DNN-NGN | 4' | 80 | 70 | 8,800 | 8,500 | 125 | 121 | 100-277 VAC / 120-250 VDC | Diffused Polycarbonate | Medium |
| LHU-4W(x)2-9DNN-NGN | 4' | 80 | 70 | 9,600 | 9,300 | 137 | 132 | 100-277 VAC / 120-250 VDC | Clear Polycarbonate | Wide |
| LHU-4M(x)2-7DNN-NGN | 4' | 80 | 52 | 7,250 | 6,950 | 139 | 134 | 100-277 VAC / 120-250 VDC | Clear Polycarbonate | Medium |
| LHU-5M(x)2-7DNN-NGN | 4' | 80 | 52 | 6,550 | 6,250 | 126 | 120 | 100-277 VAC / 120-250 VDC | Diffused Polycarbonate | Medium |
| LHU-4W(x)2-7DNN-NGN | 4' | 80 | 52 | 7,250 | 6,950 | 139 | 134 | 100-277 VAC / 120-250 VDC | Clear Polycarbonate | Wide |
| LGU-4M(x)2-5DNN-NGN | 2' | 80 | 37 | 4,750 | 4,500 | 128 | 122 | 100-277 VAC / 120-250 VDC | Clear Polycarbonate | Medium |
| LGU-5M(x)2-5DNN-NGN | 2' | 80 | 37 | 4,450 | 4,200 | 120 | 114 | 100-277 VAC / 120-250 VDC | Diffused Polycarbonate | Medium |
| LGU-4W(x)2-5DNN-NGN | 2' | 80 | 37 | 4,750 | 4,500 | 128 | 122 | 100-277 VAC / 120-250 VDC | Clear Polycarbonate | Wide |

All values typical unless otherwise stated (tolerance +/- 10%)
 CCT placeholders - C=5000K (cool white), N= 4000K (neutral white)
 For additional ordering options, please consult factory.

Medium



Wide



DISCLAIMER. All product information provided is, to the best of Dialight's knowledge, accurate as of the date of publication. When ordering, refer to www.dialight.com for current versions of: (a) relevant product documentation (including the relevant product data sheets); (b) Dialight terms and conditions of sale; and, (c) the relevant product warranty. To the extent that any contract is deemed formed between Dialight and the purchaser of Dialight products and/or an end-user, versions of documents available at www.dialight.com as at the date of sale shall be the versions incorporated therein. In the event of any discrepancy between this document or information provided at www.dialight.com, the latter shall prevail.

DuroSite® LED Floodlight

Technical Specifications



Standard Models



Slipfitter Models

Ratings and Certifications

- 10 year warranty
- L70 rated for >100,000 hours
- CSA C22.2 No. 250
- UL 1598/A
- IP66/67
- IK07 (tempered glass) / IK10 (polycarbonate)
- NEMA 4X

*All features not available on every model. Please refer to product part number pages for model specifics.

Mechanical Information

| | |
|-------------------------|---|
| Fixture weight: | 30 lb (13.6 kg) |
| Shipping weight: | 34 lb (15.4 kg) |
| EPA (Sq.ft): | 1.66 sq.ft |
| Mounting: | 304 stainless steel trunnion mount (standard), integrated slip-fit mount (optional) Secondary retention standard |
| Entry: | (2) 3/4" NPT cable entry |

Specifications

| | | | |
|--------------------------|--|-----------------|---|
| Voltage options: | 100-277 VAC | Housing: | Copper-free aluminum |
| | 347/480 VAC | | Lens: |
| Operating temp: | -40°F to +149°F (-40°C to +65°C) | CRI: | 75 |
| Power factor: | >0.9 | CCT: | 5000K (cool white) 4000K (neutral white) |
| THD: | <20% | | |
| Surge protection: | IEC 61000-4-5 6kV line-to-line, 6kV line-to-ground | | |

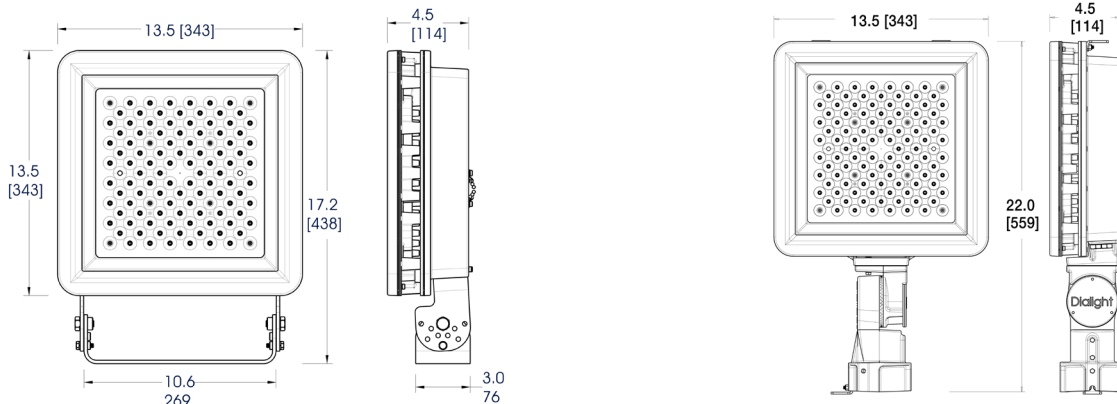
Comparison

| | Warranty | L70 |
|-------------------------|----------|----------|
| Dialight LED Floodlight | 10yr | >100,000 |
| Metal Halide | 1 | 6,000 |
| High Pressure Sodium | 1 | 20,000 |

Lumens Wattage lm/W Mounting Heights

| Lumens | Wattage | lm/W | Mounting Heights |
|--------|---------|------|----------------------|
| 15,000 | 135 | 111 | 30' ↑ ↓ 15' |
| 14,750 | 135 | 109 | |
| 13,500 | 140 | 96 | |
| 11,500 | 106 | 108 | |
| 11,250 | 106 | 106 | |
| 11,000 | 106 | 104 | |
| 10,750 | 106 | 101 | |
| 10,500 | 106 | 99 | |

Dimensions



Dimensions in inches [mm]

WARNING - INSTALLATION & SECONDARY RETENTION. Use of any Dialight products without proper installation (including secondary retention / netting) and periodic inspections could cause severe injury or death. Dialight recommends that all installations should use secondary retention / netting (appropriate to the installation environment) where applicable. It is the exclusive responsibility of the contractor, installer and/or end-user to: (a) determine the suitability of the product for its intended application; and, (b) ensure that the product is safely installed (with secondary retention / netting where appropriate) and in compliance with all applicable laws and regulations. To the extent permissible under applicable laws, Dialight disclaims all liability for personal injury and/or other damage resulting from any dislodgment or other dislocation of its products.

DuroSite® LED Floodlight

Ordering Information - Trunnion Mount Models

| Legacy Part Number | New Part Number | Fixture Lumens | Wattage | lm/W | Voltage | CCT | Beam Distribution |
|--|-----------------|----------------|---------|------|-------------|--------------------|------------------------|
| 100-277 VAC Models - Tempered Glass Lens | | | | | | | |
| FLW466NC4NG | FLU76B2BNTNNGN | 15,000 | 135 | 111 | 100-277 VAC | 5000K (cool white) | NEMA 6 (115°) |
| FLW476NC4NG | FLU77B2BNTNNGN | 14,750 | 135 | 109 | 100-277 VAC | 5000K (cool white) | NEMA 7x6 (140° x 115°) |
| FLW467NC4NG | FLU78B2BNTNNGN | 14,750 | 135 | 109 | 100-277 VAC | 5000K (cool white) | NEMA 6x7 (115° x 140°) |
| FLW455NC4NG | FLU75B2BNTNNGN | 14,500 | 140 | 104 | 100-277 VAC | 5000K (cool white) | NEMA 5 (93°) |
| FLW444NC4NG | FLU74B2BNTNNGN | 14,500 | 140 | 104 | 100-277 VAC | 5000K (cool white) | NEMA 4 (52°) |
| FLW422NC4NG | FLU72B2BNTNNGN | 13,500 | 140 | 96 | 100-277 VAC | 5000K (cool white) | NEMA 2 (23°) |
| FLW276NC2NG | FLU77B2ANTNNGN | 11,500 | 106 | 108 | 100-277 VAC | 5000K (cool white) | NEMA 7x6 (140° x 115°) |
| FLW267NC2NG | FLU78B2ANTNNGN | 11,500 | 106 | 108 | 100-277 VAC | 5000K (cool white) | NEMA 6x7 (115° x 140°) |
| FLW266NC2NG | FLU76B2ANTNNGN | 11,250 | 106 | 106 | 100-277 VAC | 5000K (cool white) | NEMA 6 (115°) |
| FLW255NC2NG | FLU75B2ANTNNGN | 11,000 | 106 | 104 | 100-277 VAC | 5000K (cool white) | NEMA 5 (93°) |
| FLW244NC2NG | FLU74B2ANTNNGN | 10,500 | 106 | 99 | 100-277 VAC | 5000K (cool white) | NEMA 4 (52°) |
| FLW222NC2NG | FLU72B2ANTNNGN | 10,750 | 106 | 101 | 100-277 VAC | 5000K (cool white) | NEMA 2 (23°) |
| 100-277 VAC Models - Polycarbonate Lens | | | | | | | |
| FLW466NC4NP | FLU46B2BNTNNGN | 14,000 | 135 | 104 | 100-277 VAC | 5000K (cool white) | NEMA 6 (115°) |
| FLW476NC4NP | FLU47B2BNTNNGN | 13,750 | 135 | 102 | 100-277 VAC | 5000K (cool white) | NEMA 7x6 (140° x 115°) |
| FLW467NC4NP | FLU48B2BNTNNGN | 13,750 | 135 | 102 | 100-277 VAC | 5000K (cool white) | NEMA 6x7 (115° x 140°) |
| FLW455NC4NP | FLU45B2BNTNNGN | 13,500 | 140 | 96 | 100-277 VAC | 5000K (cool white) | NEMA 5 (93°) |
| FLW444NC4NP | FLU44B2BNTNNGN | 13,500 | 140 | 96 | 100-277 VAC | 5000K (cool white) | NEMA 4 (52°) |
| FLW422NC4NP | FLU42B2BNTNNGN | 12,500 | 140 | 89 | 100-277 VAC | 5000K (cool white) | NEMA 2 (23°) |
| FLW276NC2NP | FLU47B2ANTNNGN | 10,500 | 106 | 99 | 100-277 VAC | 5000K (cool white) | NEMA 7x6 (140° x 115°) |
| FLW267NC2NP | FLU48B2ANTNNGN | 10,500 | 106 | 99 | 100-277 VAC | 5000K (cool white) | NEMA 6x7 (115° x 140°) |
| FLW266NC2NP | FLU46B2ANTNNGN | 10,250 | 106 | 97 | 100-277 VAC | 5000K (cool white) | NEMA 6 (115°) |
| FLW255NC2NP | FLU45B2ANTNNGN | 10,000 | 106 | 94 | 100-277 VAC | 5000K (cool white) | NEMA 5 (93°) |
| FLW244NC2NP | FLU44B2ANTNNGN | 9,500 | 106 | 90 | 100-277 VAC | 5000K (cool white) | NEMA 4 (52°) |
| FLW222NC2NP | FLU42B2ANTNNGN | 9,750 | 106 | 92 | 100-277 VAC | 5000K (cool white) | NEMA 2 (23°) |
| 347/480 VAC Models - Tempered Glass Lens Only | | | | | | | |
| FLW466NC5NG | FLU76B5BNTNNGN | 15,000 | 135 | 111 | 347/480 VAC | 5000K (cool white) | NEMA 6 (115°) |
| FLW476NC5NG | FLU77B5BNTNNGN | 14,750 | 135 | 109 | 347/480 VAC | 5000K (cool white) | NEMA 7x6 (140° x 115°) |
| FLW467NC5NG | FLU78B5BNTNNGN | 14,750 | 135 | 109 | 347/480 VAC | 5000K (cool white) | NEMA 6x7 (115° x 140°) |
| FLW455NC5NG | FLU75B5BNTNNGN | 14,500 | 140 | 104 | 347/480 VAC | 5000K (cool white) | NEMA 5 (93°) |
| FLW444NC5NG | FLU74B5BNTNNGN | 14,500 | 140 | 104 | 347/480 VAC | 5000K (cool white) | NEMA 4 (52°) |
| FLW422NC5NG | FLU72B5BNTNNGN | 13,500 | 140 | 96 | 347/480 VAC | 5000K (cool white) | NEMA 2 (23°) |
| FLW276NC5NG | FLU77B5ANTNNGN | 11,750 | 112 | 105 | 347/480 VAC | 5000K (cool white) | NEMA 7x6 (140° x 115°) |
| FLW267NC5NG | FLU78B5ANTNNGN | 11,750 | 112 | 105 | 347/480 VAC | 5000K (cool white) | NEMA 6x7 (115° x 140°) |
| FLW266NC5NG | FLU76B5ANTNNGN | 11,250 | 112 | 100 | 347/480 VAC | 5000K (cool white) | NEMA 6 (115°) |
| FLW255NC5NG | FLU75B5ANTNNGN | 10,000 | 112 | 89 | 347/480 VAC | 5000K (cool white) | NEMA 5 (93°) |
| FLW244NC5NG | FLU74B5ANTNNGN | 10,000 | 112 | 89 | 347/480 VAC | 5000K (cool white) | NEMA 4 (52°) |
| FLW222NC5NG | FLU72B5ANTNNGN | 10,000 | 112 | 89 | 347/480 VAC | 5000K (cool white) | NEMA 2 (23°) |

All values typical unless otherwise stated (tolerance +/- 10%).

Part numbers listed in the table above are cool white. For neutral white models, replace the 8th character (legacy) or 5th character (platform) with an **N**. For bronze powder coat, replace the 10th character (legacy) or 13th character (platform) with a **Z**.

DISCLAIMER. All product information provided is, to the best of Dialight's knowledge, accurate as of the date of publication. When ordering, refer to www.dialight.com for current versions of: (a) relevant product documentation (including the relevant product data sheets); (b) Dialight terms and conditions of sale; and, (c) the relevant product warranty. To the extent that any contract is deemed formed between Dialight and the purchaser of Dialight products and/or an end-user, versions of documents available at www.dialight.com as at the date of sale shall be the versions incorporated therein. In the event of any discrepancy between this document or information provided at www.dialight.com, the latter shall prevail.

DuroSite® LED Floodlight

Ordering Information - Integrated Slip-Fit Models

| Legacy Part Number | New Part Number | Fixture Lumens | Wattage | lm/W | Voltage | CCT | Beam Distribution |
|--|-----------------|----------------|---------|------|-------------|--------------------|------------------------|
| 100-277 VAC Models - Tempered Glass Lens | | | | | | | |
| FLW466SC4NG | FLU76B2BNSNNGN | 15,000 | 135 | 111 | 100-277 VAC | 5000K (cool white) | NEMA 6 (115°) |
| FLW476SC4NG | FLU77B2BNSNNGN | 14,750 | 135 | 109 | 100-277 VAC | 5000K (cool white) | NEMA 7x6 (140° x 115°) |
| FLW467SC4NG | FLU78B2BNSNNGN | 14,750 | 135 | 109 | 100-277 VAC | 5000K (cool white) | NEMA 6x7 (115° x 140°) |
| FLW455SC4NG | FLU75B2BNSNNGN | 14,500 | 140 | 104 | 100-277 VAC | 5000K (cool white) | NEMA 5 (93°) |
| FLW444SC4NG | FLU74B2BNSNNGN | 14,500 | 140 | 104 | 100-277 VAC | 5000K (cool white) | NEMA 4 (52°) |
| FLW422SC4NG | FLU72B2BNSNNGN | 13,500 | 140 | 96 | 100-277 VAC | 5000K (cool white) | NEMA 2 (23°) |
| FLW276SC2NG | FLU77B2ANSNNGN | 11,500 | 106 | 108 | 100-277 VAC | 5000K (cool white) | NEMA 7x6 (140° x 115°) |
| FLW267SC2NG | FLU78B2ANSNNGN | 11,500 | 106 | 108 | 100-277 VAC | 5000K (cool white) | NEMA 6x7 (115° x 140°) |
| FLW266SC2NG | FLU76B2ANSNNGN | 11,250 | 106 | 106 | 100-277 VAC | 5000K (cool white) | NEMA 6 (115°) |
| FLW255SC2NG | FLU75B2ANSNNGN | 11,000 | 106 | 104 | 100-277 VAC | 5000K (cool white) | NEMA 5 (93°) |
| FLW244SC2NG | FLU74B2ANSNNGN | 10,500 | 106 | 99 | 100-277 VAC | 5000K (cool white) | NEMA 4 (52°) |
| FLW222SC2NG | FLU72B2ANSNNGN | 10,750 | 106 | 101 | 100-277 VAC | 5000K (cool white) | NEMA 2 (23°) |
| 100-277 VAC Models - Polycarbonate Lens | | | | | | | |
| FLW466SC4NP | FLU46B2BNSNNGN | 14,000 | 135 | 104 | 100-277 VAC | 5000K (cool white) | NEMA 6 (115°) |
| FLW476SC4NP | FLU47B2BNSNNGN | 13,750 | 135 | 102 | 100-277 VAC | 5000K (cool white) | NEMA 7x6 (140° x 115°) |
| FLW467SC4NP | FLU48B2BNSNNGN | 13,750 | 135 | 102 | 100-277 VAC | 5000K (cool white) | NEMA 6x7 (115° x 140°) |
| FLW455SC4NP | FLU45B2BNSNNGN | 13,500 | 140 | 96 | 100-277 VAC | 5000K (cool white) | NEMA 5 (93°) |
| FLW444SC4NP | FLU44B2BNSNNGN | 13,500 | 140 | 96 | 100-277 VAC | 5000K (cool white) | NEMA 4 (52°) |
| FLW422SC4NP | FLU42B2BNSNNGN | 12,500 | 140 | 89 | 100-277 VAC | 5000K (cool white) | NEMA 2 (23°) |
| FLW276SC2NP | FLU47B2ANSNNGN | 10,500 | 106 | 99 | 100-277 VAC | 5000K (cool white) | NEMA 7x6 (140° x 115°) |
| FLW267SC2NP | FLU48B2ANSNNGN | 10,500 | 106 | 99 | 100-277 VAC | 5000K (cool white) | NEMA 6x7 (115° x 140°) |
| FLW266SC2NP | FLU46B2ANSNNGN | 10,250 | 106 | 97 | 100-277 VAC | 5000K (cool white) | NEMA 6 (115°) |
| FLW255SC2NP | FLU45B2ANSNNGN | 10,000 | 106 | 94 | 100-277 VAC | 5000K (cool white) | NEMA 5 (93°) |
| FLW244SC2NP | FLU44B2ANSNNGN | 9,500 | 106 | 90 | 100-277 VAC | 5000K (cool white) | NEMA 4 (52°) |
| FLW222SC2NP | FLU42B2ANSNNGN | 9,750 | 106 | 92 | 100-277 VAC | 5000K (cool white) | NEMA 2 (23°) |
| 347/480 VAC Models - Tempered Glass Lens Only | | | | | | | |
| FLW466SC5NG | FLU76B5BNSNNGN | 15,000 | 135 | 111 | 347/480 VAC | 5000K (cool white) | NEMA 6 (115°) |
| FLW476SC5NG | FLU77B5BNSNNGN | 14,750 | 135 | 109 | 347/480 VAC | 5000K (cool white) | NEMA 7x6 (140° x 115°) |
| FLW467SC5NG | FLU78B5BNSNNGN | 14,750 | 135 | 109 | 347/480 VAC | 5000K (cool white) | NEMA 6x7 (115° x 140°) |
| FLW455SC5NG | FLU75B5BNSNNGN | 14,500 | 140 | 104 | 347/480 VAC | 5000K (cool white) | NEMA 5 (93°) |
| FLW444SC5NG | FLU74B5BNSNNGN | 14,500 | 140 | 104 | 347/480 VAC | 5000K (cool white) | NEMA 4 (52°) |
| FLW422SC5NG | FLU72B5BNSNNGN | 13,500 | 140 | 96 | 347/480 VAC | 5000K (cool white) | NEMA 2 (23°) |
| FLW276SC5NG | FLU77B5ANSNNGN | 11,750 | 112 | 105 | 347/480 VAC | 5000K (cool white) | NEMA 7x6 (140° x 115°) |
| FLW267SC5NG | FLU78B5ANSNNGN | 11,750 | 112 | 105 | 347/480 VAC | 5000K (cool white) | NEMA 6x7 (115° x 140°) |
| FLW266SC5NG | FLU76B5ANSNNGN | 11,250 | 112 | 100 | 347/480 VAC | 5000K (cool white) | NEMA 6 (115°) |
| FLW255SC5NG | FLU75B5ANSNNGN | 10,000 | 112 | 89 | 347/480 VAC | 5000K (cool white) | NEMA 5 (93°) |
| FLW244SC5NG | FLU74B5ANSNNGN | 10,000 | 112 | 89 | 347/480 VAC | 5000K (cool white) | NEMA 4 (52°) |
| FLW222SC5NG | FLU72B5ANSNNGN | 10,000 | 112 | 89 | 347/480 VAC | 5000K (cool white) | NEMA 2 (23°) |

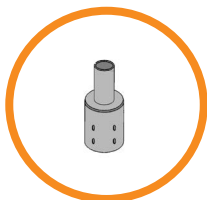
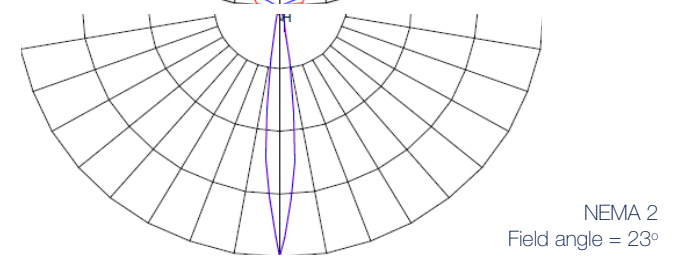
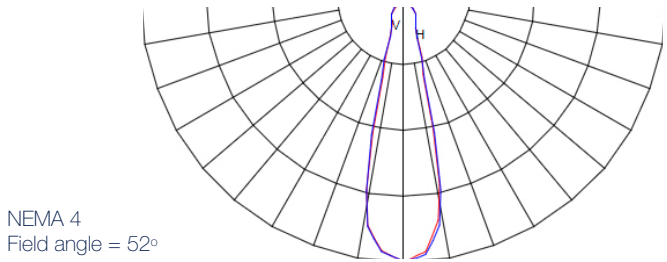
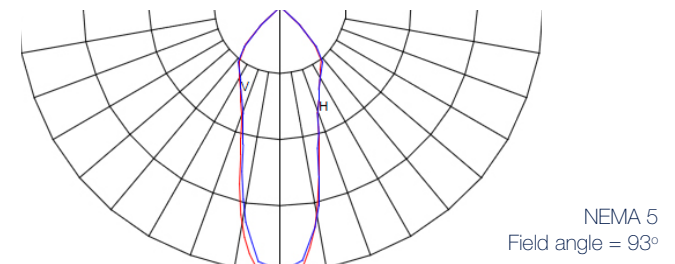
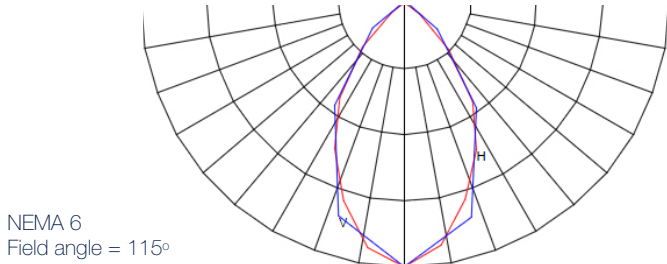
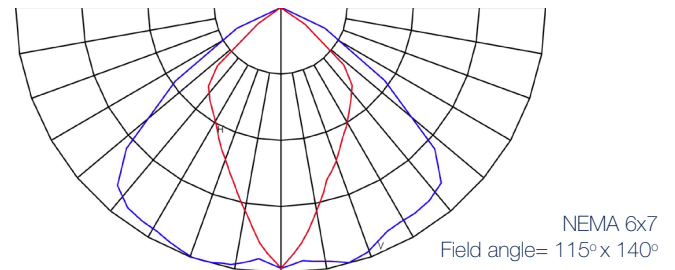
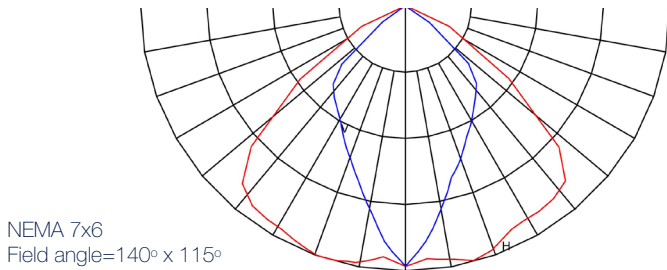
All values typical unless otherwise stated (tolerance +/- 10%).

Part numbers listed in the table above are cool white. For neutral white models, replace the 8th character (legacy) or 5th character (platform) with an **N**. For bronze powder coat, replace the 10th character (legacy) or 13th character (platform) with a **Z**.

DISCLAIMER. All product information provided is, to the best of Dialight's knowledge, accurate as of the date of publication. When ordering, refer to www.dialight.com for current versions of: (a) relevant product documentation (including the relevant product data sheets); (b) Dialight terms and conditions of sale; and, (c) the relevant product warranty. To the extent that any contract is deemed formed between Dialight and the purchaser of Dialight products and/or an end-user, versions of documents available at www.dialight.com as at the date of sale shall be the versions incorporated therein. In the event of any discrepancy between this document or information provided at www.dialight.com, the latter shall prevail.

DuroSite® LED Floodlight

Beam Distributions & Accessories



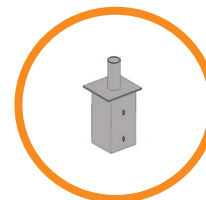
FLX-3RPA-20DB

- Reducer for 3" OD round pole top to 2-3/8" light mount



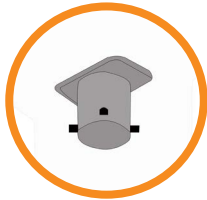
HZXCBL2

- Stainless steel safety cable kit



FLX-4SPA-20DB

- Internal tenon adapter for 4" square pole top to 2-3/8" light mount



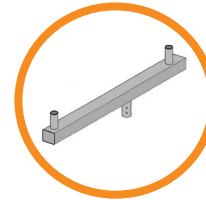
FLX-4RPA-20DB

- Reducer for 4" OD round pole top to 2-3/8" light mount



FLX-1RAB-20DB

- Tenon pole topper, 2-3/8" mount



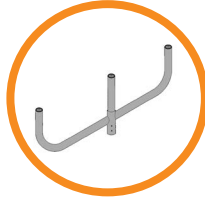
FLX-5SPA-20DB

- 5" square pole top to 2-3/8" light mount



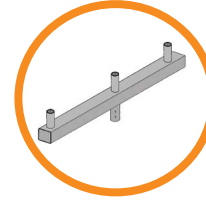
FLX-6SPA-20DB

- 6" square pole top to 2-3/8" light mount



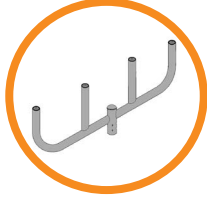
FLX-1TPT-20DB

- Tenon pole topper, 2-3/8" mount



FLX-2RSR-20DB

- Round square round bracket for 2 lights, 2-3/8" mount, 21" spacing



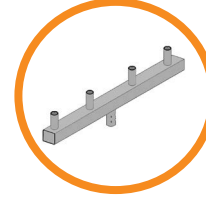
FLX-2LBH-20DB

- Bull horn for 2 lights, 2-3/8" mount, 21" spacing



FLX-3LBH-20DB

- Bull horn for 3 lights, 2-3/8" mount, 21" spacing



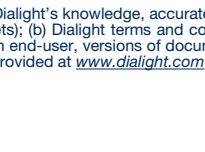
FLX-3RSR-20DB

- Round square round bracket for 3 lights, 2-3/8" mount, 21" spacing



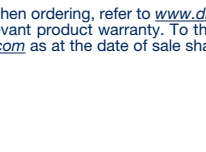
FLX-4LBH-20DB

- Bull horn for 4 lights, 2-3/8" mount, 21" spacing



FLX-4RBH-20DB

- Bull horn for 4 lights in star configuration, 2-3/8" mount, 21" spacing



FLX-4RSR-20DB

- Round square round bracket for 4 lights, 2-3/8" mount, 21" spacing

DISCLAIMER. All product information provided is, to the best of Dialight's knowledge, accurate as of the date of publication. When ordering, refer to www.dialight.com for current versions of: (a) relevant product documentation (including the relevant product data sheets); (b) Dialight terms and conditions of sale; and, (c) the relevant product warranty. To the extent that any contract is deemed formed between Dialight and the purchaser of Dialight products and/or an end-user, versions of documents available at www.dialight.com as at the date of sale shall be the versions incorporated therein. In the event of any discrepancy between this document or information provided at www.dialight.com, the latter shall prevail.

DuroSite® LED Area Light

347/480 VAC

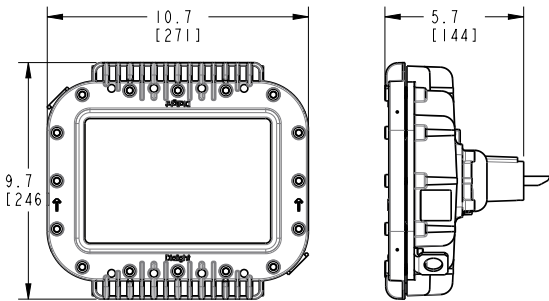


Certifications & Ratings*

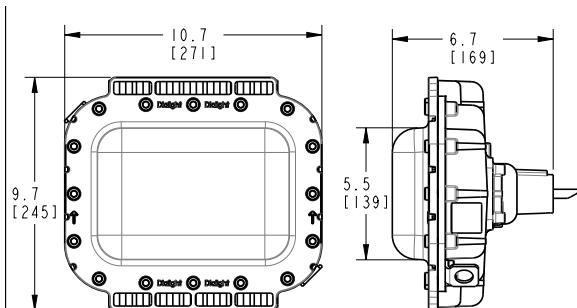
- 5 year warranty
- UL 1598/A
- CSA C22.2 No. 250
- IP66 / 67
- NEMA 4X
- L70 > 100,000 hours @ 25°C

*ETL listed

Tempered Glass Lens



Polycarbonate Lens



Dimensions in inches [mm]

Mechanical Information:

Fixture weight: 10 lb (4.5 kg) - Polycarbonate lens
12 lb (5.5 kg) - Tempered glass lens
with stainless steel bracket: 13 lb (5.9 kg) - Polycarbonate lens
15 lb (6.8 kg) - Tempered glass lens

Shipping weight: Add 2 lb (0.91 kg) to weights above

Cabling: 10' (3.5 m) 5 conductor ST00W/S00W
14" (0.4 m) 5 conductor ST00W/S00W
Terminal block option available for wall, wall 45° and stanchion 45°

Impact rating: IK10 - Polycarbonate lens
IK07 - Tempered glass lens

Cabling: 10' ST00W/S00W 1.02 mm 18 AWG

Mounting: Secondary retention standard

Electrical Specifications:

Operating voltage: 347/480 VAC

Total system power consumption: See table

Operating temperature: -40°F to +149°F (-40°C to +65°C)

EMC: FCC Title 47, Subpart B, Section 15, Class A device
CISPR-15
RF Immunity 20V/m 80MHz-1GHz.

Transient protection: 6 kV, 2 Ohm line-line and line-ground

Harmonics: IEC 61000-3-2, Class C

THD: < 20%

Power factor: > 0.9

Construction:

Housing: Copper-free aluminum

Finish: Superior dual coat finish
- Sealed polyester topcoat

Lens: Hard-coated polycarbonate
Tempered glass

Photometric Information:

CRI: 75

CCT: 5000K (cool white)

Optics: 360°
180° forward throw for 45° mounting
Wide for 0° mounting

All values typical unless otherwise stated (tolerance +/- 10%)

WARNING - INSTALLATION & SECONDARY RETENTION. Use of any Dialight products without proper installation (including secondary retention / netting) and periodic inspections could cause severe injury or death. Dialight recommends that all installations should use secondary retention / netting (appropriate to the installation environment) where applicable. It is the exclusive responsibility of the contractor, installer and/or end-user to: (a) determine the suitability of the product for its intended application; and, (b) ensure that the product is safely installed (with secondary retention / netting where appropriate) and in compliance with all applicable laws and regulations. To the extent permissible under applicable laws, Dialight disclaims all liability for personal injury and/or other damage resulting from any dislodgment or other dislocation of its products.

DuroSite® LED Area Light

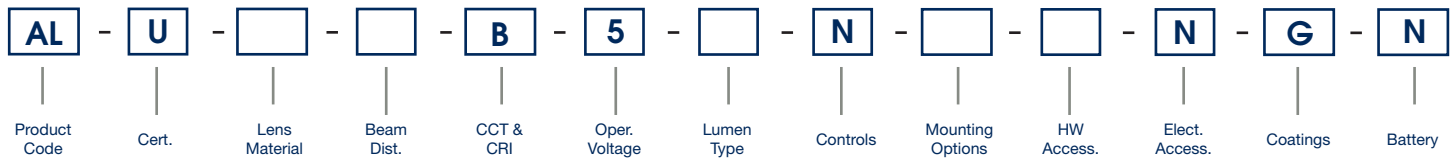
347/480 VAC



| Project Information | |
|---------------------|-------|
| Part Number: | |
| Project: | |
| Fixture Type: | Date: |

| Specifications |
|----------------|
| |
| |
| |

Ordering Information



Product Code

| | |
|----|------------|
| AL | Area Light |
|----|------------|

CCT & CRI

| | |
|---|---------------------------|
| B | Cool White 5000K - 70 CRI |
|---|---------------------------|

Mounting Options

| | |
|--|----------------------------------|
| | Retro-fit Adapter |
| | Universal Mounting Adapter (UMA) |

Hardware Accessories

| | |
|---|--|
| N | For Mounting Options - A, C, G, H, K, M, S, U, V, W, Y (individual wire leads are terminated in adapter housing) |
| W | 10 ft (3 meter) Power Cable for Mounting Options - B, N |

Certification

| | |
|---|------------------------------|
| U | UL 1598/A CSA 22.2 No. 250.0 |
|---|------------------------------|

Operating Voltage

| | |
|---|-------------|
| 5 | 347/480 VAC |
|---|-------------|

| | |
|---|---|
| A | Appleton Mercmaster III |
| B | Swivel Bracket, Locking 0°- 90° 316 Stainless Steel |
| C | Crouse-Hinds - Champ |
| G | GE Filtr-Gard |
| H | Thomas & Betts Hazlux |
| K | Killark Certilite & Certilite V |
| M | Appleton Mercmaster II |
| N | 3/4" NPT |
| S | 45° Stanchion Mount |
| U | UMA - Mounting Hub |
| V | 0° Wall Mount |
| W | 45° Wall Mount |

Electrical Accessories

| | |
|---|-----------|
| N | No Option |
|---|-----------|

Lens Material

| | |
|---|--------------------------|
| 5 | Polycarbonate - Diffused |
| 7 | Tempered Glass |

Lumen Type

| | |
|---|----------|
| 4 | 3.1 - 4K |
| 5 | 4.1 - 5K |
| 6 | 5.1 - 6K |
| 7 | 6.1 - 7K |

Coatings

| | |
|---|-----------------|
| G | Gray (RAL 7040) |
|---|-----------------|

Beam Distribution

| | |
|---|------|
| A | 180° |
| B | 360° |

Controls

| | |
|---|------------|
| N | No Options |
|---|------------|

Battery

| | |
|---|-----------|
| N | No Option |
|---|-----------|

Notes

- 1) When using "UMA" or "Retro-fit" mounting options, Hardware Accessories = N.
- 2) Not all lumen options available for all voltage options, consult table.

347/480 VAC Model

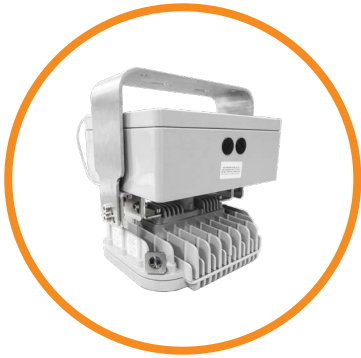
| Part Number | Lumens | Wattage | lm/W | CCT | CRI | Lens | Beam Distribution | Controls Option | Mounting |
|-------------------|--------|---------|------|-----|-----|------------------------|-------------------|-----------------|--------------|
| ALU-7BB5-6NNW-NGN | 6,000 | 58 | 103 | CW | 75 | Tempered Glass | 360° | No Dimming | 3/4" Conduit |
| ALU-5BB5-6NNW-NGN | 5,700 | 58 | 98 | CW | 75 | Polycarbonate Diffused | 360° | No Dimming | 3/4" Conduit |
| ALU-7BB5-5NNW-NGN | 5,000 | 47 | 106 | CW | 75 | Tempered Glass | 360° | No Dimming | 3/4" Conduit |

All values typical unless otherwise stated (tolerance +/- 10%).

DISCLAIMER. All product information provided is, to the best of Dialight's knowledge, accurate as of the date of publication. When ordering, refer to www.dialight.com for current versions of: (a) relevant product documentation (including the relevant product data sheets); (b) Dialight terms and conditions of sale; and, (c) the relevant product warranty. To the extent that any contract is deemed formed between Dialight and the purchaser of Dialight products and/or an end-user, versions of documents available at www.dialight.com as at the date of sale shall be the versions incorporated therein. In the event of any discrepancy between this document or information provided at www.dialight.com, the latter shall prevail.

DuroSite® LED Area Light

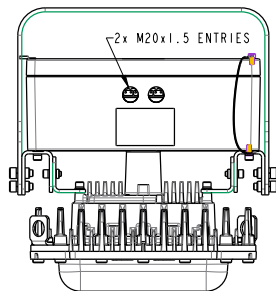
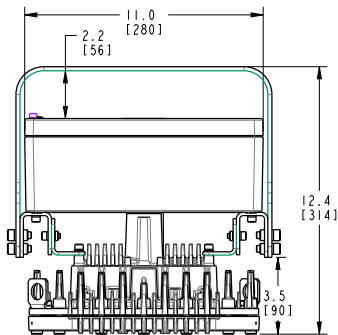
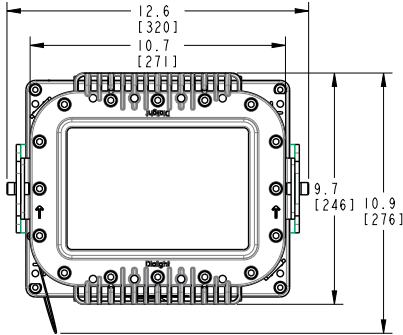
120-277 VAC Battery Backup



Certifications & Ratings*

- 5 year warranty
- UL 1598/A
- CSA C22.2 No. 250
- IP66 / 67
- NEMA 4X
- Maintained or sustained modes selectable via jumper

*ETL listed



Dimensions in inches [mm]

Mechanical Information:

| | |
|-------------------------|---|
| Fixture weight: | 35 lb (15.9 kg) - Polycarbonate lens 37 lb (16.8 kg) - Tempered glass lens |
| Shipping weight: | Add 2 lb (0.91 kg) to weights above |
| Impact rating: | IK10 - Polycarbonate lens IK07 - Tempered glass lens |
| Wiring entries: | 2xM20 |
| Mounting: | Secondary retention standard |

Electrical Specifications:

| | |
|--|--|
| Operating voltage: | 120-277 VAC Battery Backup |
| Total system power consumption: | See table |
| Operating temperature: | -40°F to +149°F (-40°C to +65°C) |
| EMC: | FCC Title 47, Subpart B, Section 15, Class A device RF Immunity 20V/m 80MHz-1GHz. |
| Transient protection: | 6 kV, 2 Ohm line-line and line-ground |
| Harmonics: | IEC 61000-3-2, Class C |
| THD: | < 20% |
| Power factor: | > 0.9 |
| Construction: | |
| Housing: | Copper-free aluminum |
| Finish: | Superior dual coat finish - Sealed polyester topcoat |
| Lens: | Hard-coated polycarbonate Tempered glass |

Photometric Information:

| | |
|----------------|---|
| CRI: | 75 |
| CCT: | 5000K (cool white) |
| Optics: | 360° 180° forward throw for 45° mounting |

All values typical unless otherwise stated (tolerance +/- 10%)

WARNING - INSTALLATION & SECONDARY RETENTION. Use of any Dialight products without proper installation (including secondary retention / netting) and periodic inspections could cause severe injury or death. Dialight recommends that all installations should use secondary retention / netting (appropriate to the installation environment) where applicable. It is the exclusive responsibility of the contractor, installer and/or end-user to: (a) determine the suitability of the product for its intended application; and, (b) ensure that the product is safely installed (with secondary retention / netting where appropriate) and in compliance with all applicable laws and regulations. To the extent permissible under applicable laws, Dialight disclaims all liability for personal injury and/or other damage resulting from any dislodgment or other dislocation of its products.

DuroSite® LED Area Light

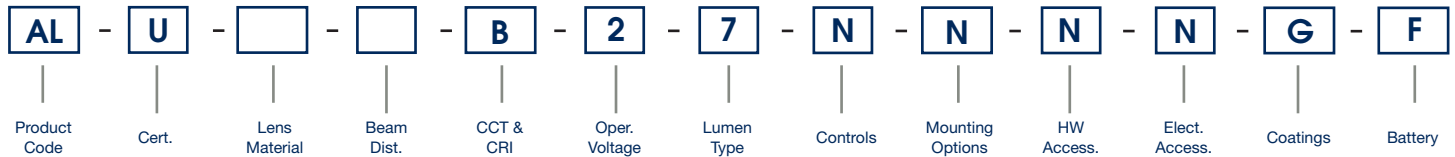
120-277 VAC Battery Backup



| Project Information | |
|---------------------|-------|
| Part Number: | |
| Project: | |
| Fixture Type: | Date: |

| Specifications |
|----------------|
| |
| |
| |

Ordering Information



Product Code

AL Area Light

Certification

U UL 1598/A CSA 22.2 No. 250.0

Lens Material

- 5 Polycarbonate - Diffused
- 7 Tempered Glass

Beam Distribution

- A 180°
- B 360°

CCT & CRI

B Cool White 5000K - 70 CRI

Operating Voltage

2 100 - 277 VAC - Battery Backup

Lumen Type

7 6.1 - 7K

Controls

N No Options

Mounting Options

N 316 Stainless Steel Bracket

Hardware Accessories

N Factory Installed Junction Box

Electrical Accessories

N No Option

Coatings

G Gray (RAL 7040)

Battery

F 180 min.

| Battery Backup Model | | | | | | | | |
|----------------------|--------|---------|------|-----|-----|----------------|-------------------|-------------------------|
| Part Number | Lumens | Wattage | lm/W | CCT | CRI | Lens | Beam Distribution | Mounting |
| ALU-7BB2-7NNN-NGF | 7,500 | 85 | 88 | CW | 75 | Tempered Glass | 360° | Stainless Steel Bracket |
| ALU-5AB2-7NNN-NGF | 7,200 | 85 | 85 | CW | 75 | Polycarbonate | 180° | Stainless Steel Bracket |

All values typical unless otherwise stated (tolerance +/- 10%).

DISCLAIMER. All product information provided is, to the best of Dialight's knowledge, accurate as of the date of publication. When ordering, refer to www.dialight.com for current versions of: (a) relevant product documentation (including the relevant product data sheets); (b) Dialight terms and conditions of sale; and, (c) the relevant product warranty. To the extent that any contract is deemed formed between Dialight and the purchaser of Dialight products and/or an end-user, versions of documents available at www.dialight.com as at the date of sale shall be the versions incorporated therein. In the event of any discrepancy between this document or information provided at www.dialight.com, the latter shall prevail.

DuroSite® LED Area Light

Lumen Tables & Beam Distribution

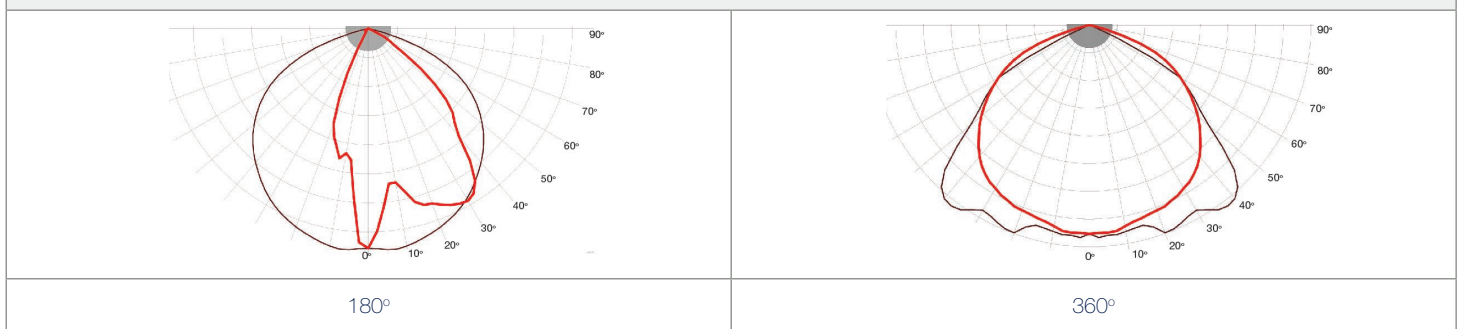
347/480 VAC

| Output Family | Beam Distribution | Lens | Wattage | Lumens 5000 CCT | 5000 CCT lm/W | Lumens 4000 CCT | 4000 CCT lm/W |
|---------------|-------------------|----------------------|---------|--------------------|------------------|--------------------|------------------|
| 7,250 | 360° | Tempered Glass | 68 | 7200 | 107 | 7100 | 104 |
| | | Class I, Div 1 Glass | | 6900 | 102 | 6800 | 100 |
| | | Polycarbonate | | 6900 | 102 | 6800 | 100 |
| | 180° | Tempered Glass | | 7200 | 107 | 7100 | 104 |
| | | Class I, Div 1 Glass | | 6900 | 102 | 6800 | 100 |
| | | Polycarbonate | | 6900 | 102 | 6800 | 100 |
| 6,000 | 360° | Tempered Glass | 58 | 6000 | 103 | 5800 | 101 |
| | | Class I, Div 1 Glass | | 5700 | 99 | 5600 | 97 |
| | | Polycarbonate | | 5700 | 99 | 5600 | 97 |
| | 180° | Tempered Glass | | 6000 | 103 | 5800 | 101 |
| | | Class I, Div 1 Glass | | 5700 | 99 | 5600 | 97 |
| | | Polycarbonate | | 5700 | 99 | 5600 | 97 |
| 5,000 | 360° | Tempered Glass | 47 | 5000 | 106 | 4900 | 104 |
| | | Class I, Div 1 Glass | | 4800 | 102 | 4700 | 100 |
| | | Polycarbonate | | 4800 | 102 | 4700 | 100 |
| | 180° | Tempered Glass | | 5000 | 106 | 4900 | 104 |
| | | Class I, Div 1 Glass | | 4800 | 106 | 4700 | 100 |
| | | Polycarbonate | | 4800 | 102 | 4700 | 100 |
| 4,100 | Wide | Polycarbonate | 55 | 4100 | 75 | 4000 | 73 |
| 4,000 | 360° | Tempered Glass | 38 | 4000 | 105 | 3900 | 103 |
| | | Class I, Div 1 Glass | | 3800 | 101 | 3700 | 99 |
| | | Polycarbonate | | 3800 | 101 | 3700 | 99 |
| | 180° | Tempered Glass | | 4000 | 105 | 3900 | 103 |
| | | Class I, Div 1 Glass | | 3800 | 101 | 3700 | 99 |
| | | Polycarbonate | | 3800 | 101 | 3700 | 99 |
| 2,200 | 360° | Tempered Glass | 21 | 2200 | 105 | 2200 | 105 |
| | | Class I, Div 1 Glass | | 2200 | 105 | 2200 | 105 |
| | | Polycarbonate | | 2200 | 105 | 2200 | 105 |
| | 180° | Tempered Glass | | 2200 | 105 | 2200 | 105 |
| | | Class I, Div 1 Glass | | 2200 | 105 | 2200 | 105 |
| | | Polycarbonate | | 2200 | 105 | 2200 | 105 |

120-277 VAC Battery Backup

| Output Family | Beam Distribution | Lens | Wattage | Lumens 5000 CCT | 5000 CCT lm/W | Lumens 4000 CCT | 4000 CCT lm/W |
|---------------|-------------------|----------------|---------|--------------------|------------------|--------------------|------------------|
| 7,500 | 360° | Tempered Glass | 85 | 7500 | 88 | 7300 | 86 |
| | | Polycarbonate | | 7200 | 85 | 7000 | 83 |
| | 180° | Tempered Glass | | 7500 | 88 | 7300 | 86 |
| | | Polycarbonate | | 7200 | 85 | 7000 | 83 |

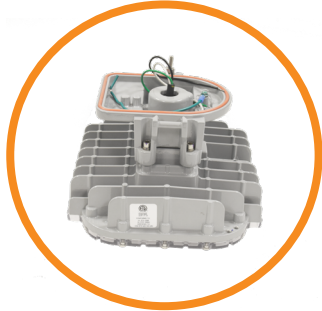
Beam Distribution



DISCLAIMER. All product information provided is, to the best of Dialight's knowledge, accurate as of the date of publication. When ordering, refer to www.dialight.com for current versions of: (a) relevant product documentation (including the relevant product data sheets); (b) Dialight terms and conditions of sale; and, (c) the relevant product warranty. To the extent that any contract is deemed formed between Dialight and the purchaser of Dialight products and/or an end-user, versions of documents available at www.dialight.com as at the date of sale shall be the versions incorporated therein. In the event of any discrepancy between this document or information provided at www.dialight.com, the latter shall prevail.

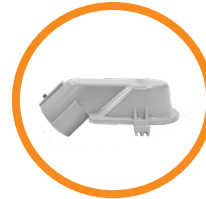
DuroSite® LED Area Light

Accessories



ALxxxx2xDUNxGN

Fixtures are available with a universal mounting adapter factory installed, see product N-chart for details. Choose from one of the four available mounting options:

Wall Mount
HZXW0145° Wall Mount
HZXW4545° Stanchion Mount
HZXS4534mm Slip-fit Pole Mount
HZXC34

Certified to: UL 50E • CSA C22.2 No. 94.2-07

HZXSTAN100S

- 1.00" (1.315" Pole OD) Slip-fit stanchion mount

HZXSTAN125S

- 1.25" (1.660" Pole OD) Slip-fit stanchion mount

HZXSTAN150S

- 1.50" (1.900" Pole OD) Slip-fit stanchion mount

HZXSTAN200S

- 2.00" (2.375" Pole OD) Slip-fit stanchion mount



HZXSTAN100T

- 1.00" (1.315" Pole OD) NPT threaded stanchion mount

HZXSTAN125T

- 1.25" (1.660" Pole OD) NPT threaded stanchion mount

HZXSTAN150T

- 1.50" (1.900" Pole OD) NPT threaded stanchion mount

HZXSTAN200T

- 2.00" (2.375" Pole OD) NPT threaded stanchion mount



HZXW3

- 316 stainless steel bracket

HZXW7

- Aluminum bracket



HZXW4

- 316 stainless steel bracket with pipe clamp

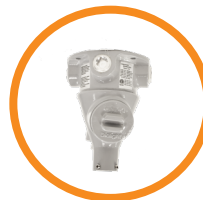
HZXW8

- Aluminum bracket with pipe clamp



HZXSAFECBLS

- Safety cable kit



Certified to: UL 50E • UL 1203

ISA 12.12.01 • CSA C22.2 No. 94.2-07

HBXC1

- 0.75" NPT Ceiling mount



Certified to: UL 50E • CSA C22.2 No. 94.2-07

HZXJB075

- 0.75" Ceiling / Wall / Pole mount junction box

HZXJB100

- 1.00" Ceiling / Wall / Pole mount junction box

HZXJB125

- 1.25" Ceiling / Wall / Pole mount junction box

HZXJB150

- 1.50" Ceiling / Wall / Pole mount junction box



Certified to: UL 50E • CSA C22.2 No. 94.2-07

HZXJB075PC1

- 0.75" Junction box with photocell

HZXJB100PC1

- 1.00" Junction box with photocell

HZXJB125PC1

- 1.25" Junction box with photocell

HZXJB150PC1

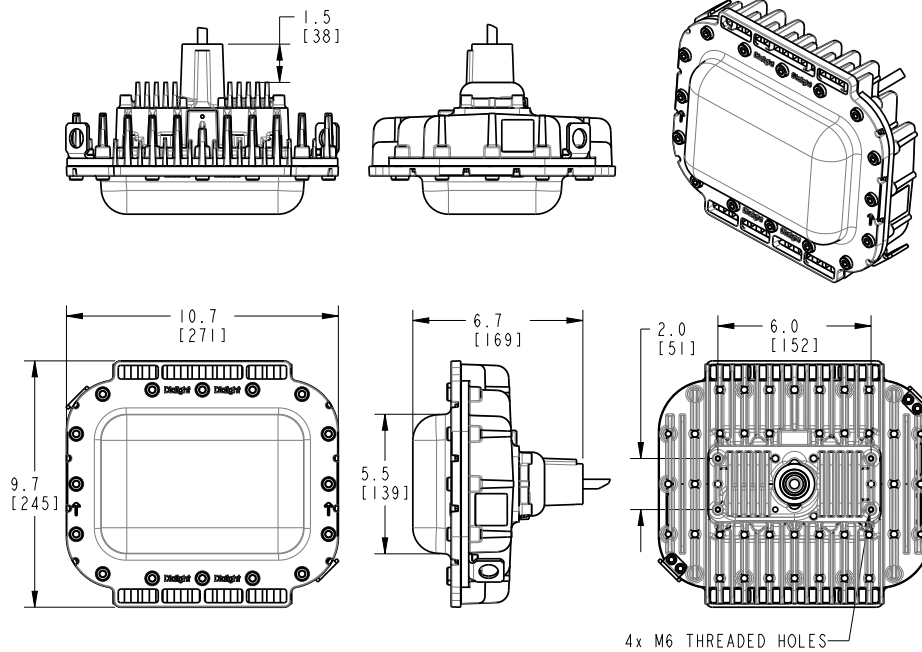
- 1.50" Junction box with photocell

DISCLAIMER. All product information provided is, to the best of Dialight's knowledge, accurate as of the date of publication. When ordering, refer to www.dialight.com for current versions of: (a) relevant product documentation (including the relevant product data sheets); (b) Dialight terms and conditions of sale; and, (c) the relevant product warranty. To the extent that any contract is deemed formed between Dialight and the purchaser of Dialight products and/or an end-user, versions of documents available at www.dialight.com as at the date of sale shall be the versions incorporated therein. In the event of any discrepancy between this document or information provided at www.dialight.com, the latter shall prevail.

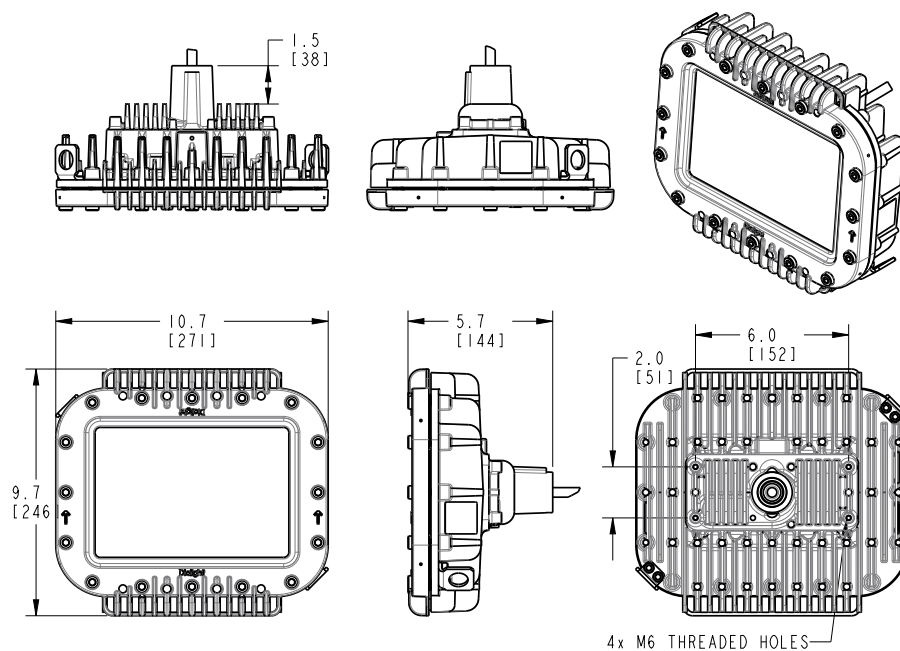
DuroSite® LED Area Light

Dimensional Drawings

Polycarbonate Lens - Option 5



Tempered Glass Lens - Option 7

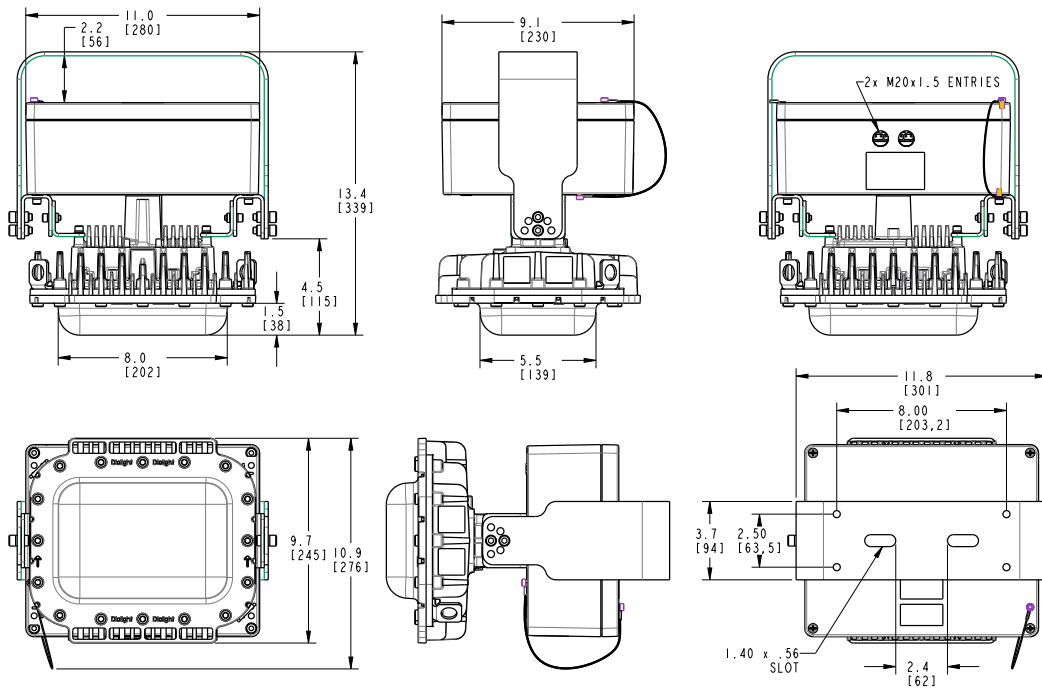


DISCLAIMER. All product information provided is, to the best of Dialight's knowledge, accurate as of the date of publication. When ordering, refer to www.dialight.com for current versions of: (a) relevant product documentation (including the relevant product data sheets); (b) Dialight terms and conditions of sale; and, (c) the relevant product warranty. To the extent that any contract is deemed formed between Dialight and the purchaser of Dialight products and/or an end-user, versions of documents available at www.dialight.com as at the date of sale shall be the versions incorporated therein. In the event of any discrepancy between this document or information provided at www.dialight.com, the latter shall prevail.

DuroSite® LED Area Light

Dimensional Drawings

Battery Backup Model



DISCLAIMER. All product information provided is, to the best of Dialight's knowledge, accurate as of the date of publication. When ordering, refer to www.dialight.com for current versions of: (a) relevant product documentation (including the relevant product data sheets); (b) Dialight terms and conditions of sale; and, (c) the relevant product warranty. To the extent that any contract is deemed formed between Dialight and the purchaser of Dialight products and/or an end-user, versions of documents available at www.dialight.com as at the date of sale shall be the versions incorporated therein. In the event of any discrepancy between this document or information provided at www.dialight.com, the latter shall prevail.

DuroSite® LED Area Light

Retro-fit Options

Retro-fit adapters can be factory installed. See product ordering information for details.

- Eaton's Crouse-Hinds – Champ®
- GE Lighting Solutions – Filtr-Gard™
- Holophane Petrolux® II, III
- Thomas & Betts Hazlux®
- Appleton® Mercmaster III
- Appleton® Mercmaster II
- Killark® Certilite® & Certilite® V

*Petrolux adapter available as a standalone accessory only



| Eaton's Crouse-Hinds – Champ® - HZXTHCH | | | | |
|---|---------|------|-----------|------------|
| Pendant | Ceiling | Wall | Stanchion | Quad Mount |
| APM2 | CM2 | TWM2 | JM5 | QM25 |
| APM3 | CM3 | TWM3 | PM5 | |
| HPM2 | | | | |



| GE Lighting Solutions – Filtr-Gard™ - HZXTHGE | | | | |
|---|---------|------|-----------|------------|
| Pendant | Ceiling | Wall | Stanchion | Quad Mount |
| 3P | 3F | 3C | 3W | 5S |
| 4P | 4F | | 4W | 6S |
| | | | | 5J, 6J |



| Holophane® Petrolux II, III - HZXTHP3 | | | | |
|---------------------------------------|-----------|-----------|---------|------|
| Pendant | Universal | Stanchion | Ceiling | Wall |
| PD | UN | SA | CD | WL |
| GH | | ST | CE | W |
| P | | A | B, C, D | |

Please reference spec sheet at www.dialight.com for all dimensional drawings of retro-fit options.

DISCLAIMER. All product information provided is, to the best of Dialight's knowledge, accurate as of the date of publication. When ordering, refer to www.dialight.com for current versions of: (a) relevant product documentation (including the relevant product data sheets); (b) Dialight terms and conditions of sale; and, (c) the relevant product warranty. To the extent that any contract is deemed formed between Dialight and the purchaser of Dialight products and/or an end-user, versions of documents available at www.dialight.com as at the date of sale shall be the versions incorporated therein. In the event of any discrepancy between this document or information provided at www.dialight.com, the latter shall prevail.

DuroSite® LED Area Light

Retro-fit Options



| Thomas & Betts Hazlux® - HZXTHTB | | | | |
|----------------------------------|---------------------|---------------------|--------------------|--------------------|
| Pendant | Pendant Cone | Flexible Pendant | Ceiling | Wall |
| VP2 | VA2 | VF2 | VC2 | VB2 |
| VP3 | VA3 | VF3 | VC3 | VB3 |
| Wall | 25° Angle Stanchion | 25° Angle Stanchion | Straight Stanchion | Straight Stanchion |
| VB2-VIB | VS4 | VS4-VIB | VL4 | VL4-VIB |
| VB3-VIB | VS5 | VS5-VIB | VL5 | VL5-VIB |



| Appleton® Mercmaster III - HZXTHAP | | | |
|------------------------------------|---------|----------|-----------|
| Pendant | Ceiling | Wall | Stanchion |
| KPA-75, 100 | KPC-75 | KPWB-75 | KPS-125 |
| KPAF-75, 100 | KPC-100 | KPWB-100 | KPS-150 |
| KPCH-75, 100 | | | KPST-125 |
| | | | KPST-150 |



| Appleton® Mercmaster II - HZXTHM2 | | | |
|-----------------------------------|---------|----------|-----------|
| Pendant | Ceiling | Wall | Stanchion |
| LPA-75 | LPC-75 | LPWB-75 | LPS-125 |
| LPA-100 | LPC-100 | LPWB-100 | LPS-150 |



| Killark® Certilite® & Certilite® V - HZXTHKL | | | |
|--|-------------------|---------------|-----------|
| Pendant | Ceiling | Wall | Stanchion |
| VMA2B & VMA-2 | VMX2B & VMX-2 | VMB2B & VMB-2 | VMD4B |
| VMA3B & VMA-3 | VMX3B & VMX-3 | VMB3B & VMB-3 | VMD5B |
| VMC2B & VMC-2 | VMX6B, 7B, 8B, 9B | | VMS5B |
| VMC3B & VMC-3 | | | |
| VMF2B, 3B | | | |

Please reference spec sheet at www.dialight.com for all dimensional drawings of retro-fit options.

DISCLAIMER. All product information provided is, to the best of Dialight's knowledge, accurate as of the date of publication. When ordering, refer to www.dialight.com for current versions of: (a) relevant product documentation (including the relevant product data sheets); (b) Dialight terms and conditions of sale; and, (c) the relevant product warranty. To the extent that any contract is deemed formed between Dialight and the purchaser of Dialight products and/or an end-user, versions of documents available at www.dialight.com as at the date of sale shall be the versions incorporated therein. In the event of any discrepancy between this document or information provided at www.dialight.com, the latter shall prevail.

DuroSite® LED End-to-End Linear

Technical Specifications



Ratings and Certifications

- 5 year warranty
- L70 rated for >125,000 hours
- CSA C22.2 No. 250
- UL 1598/A
- IP66/67
- NEMA 4X

*All features not available on every model. Please refer to product part number pages for model specifics.

Mechanical Information

Fixture weight:

4' model: 18 lb (8.2 kg)

2' model: 13 lb (5.9 kg)

Shipping weight:

4' model: 20 lb (9.1 kg)

2' model: 15 lb (6.8 kg)

Mounting: (4) 3/4" NPT openings
Optional ceiling, flush or swivel mounting bracket
Secondary retention option available

Specifications

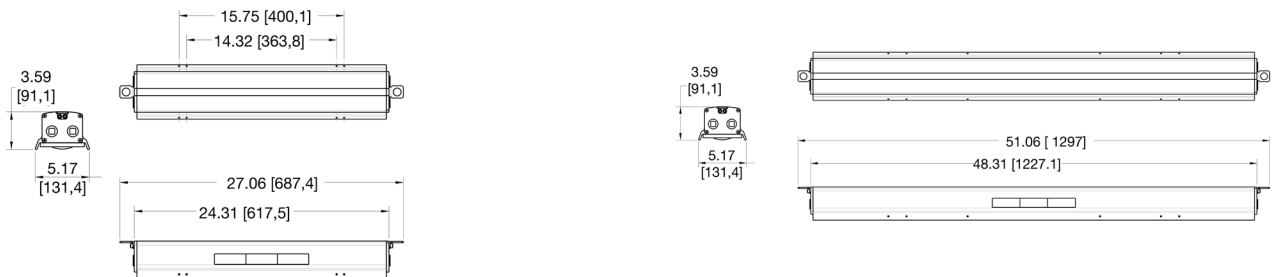
| | | | |
|--------------------------|--------------------------------------|-----------------|------------------------|
| Voltage: | 120-277 VAC | Housing: | Extruded 6063 aluminum |
| Operating temp: | -40°F to +149°F (-40°C to +65°C) | Lens: | Polycarbonate |
| Power factor: | >0.9 | CRI: | 80 |
| THD: | <20% | CCT: | 5000K (cool white) |
| Surge protection: | 6kV line-to-line, 6kV line-to-ground | | 4000K (neutral white) |

Comparison

| | Warranty | L70 | T-Rating |
|----------------------|----------|----------|----------|
| Dialight LED Linear | 5yr | >125,000 | T5 |
| Metal Halide | 1 | 6,000 | T2 |
| High Pressure Sodium | 1 | 20,000 | T2A |
| Fluorescent | 1 | 24,000 | T3 |

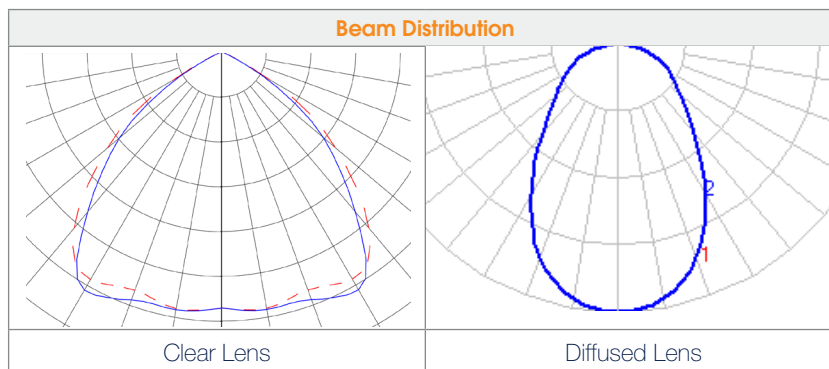
| Lumens | Wattage | lm/W | Mounting Heights |
|--------|---------|------|------------------|
| 7,500 | 60 | 125 | 20' |
| 6,750 | 60 | 112 | ↕ |
| 4,000 | 32 | 125 | |
| 3,500 | 32 | 109 | 10' |

Dimensions



Dimension in inches [mm]

Beam Distribution



WARNING - INSTALLATION & SECONDARY RETENTION. Use of any Dialight products without proper installation (including secondary retention / netting) and periodic inspections could cause severe injury or death. Dialight recommends that all installations should use secondary retention / netting (appropriate to the installation environment) where applicable. It is the exclusive responsibility of the contractor, installer and/or end-user to: (a) determine the suitability of the product for its intended application; and, (b) ensure that the product is safely installed (with secondary retention / netting where appropriate) and in compliance with all applicable laws and regulations. To the extent permissible under applicable laws, Dialight disclaims all liability for personal injury and/or other damage resulting from any dislodgment or other dislocation of its products.

DuroSite® LED End-to-End Linear

Ordering Information & Accessories

| Part Number | Length | CRI | Fixture Lumens | Watt | lm/W | Voltage | CCT | Lens | Beam Distribution |
|----------------|--------|-----|----------------|------|------|-------------|--------------------|------------------------|-------------------|
| LBU2MB3FNNNNGN | 4' | 80 | 7,500 | 60 | 125 | 120-277 VAC | 5000K (cool white) | Clear polycarbonate | Medium |
| LBU6MB3FNNNNGN | 4' | 80 | 6,750 | 60 | 112 | 120-277 VAC | 5000K (cool white) | Diffused polycarbonate | Medium |
| LAU2MB3BNNNNGN | 2' | 80 | 4,000 | 32 | 125 | 120-277 VAC | 5000K (cool white) | Clear polycarbonate | Medium |
| LAU6MB3BNNNNGN | 2' | 80 | 3,500 | 32 | 109 | 120-277 VAC | 5000K (cool white) | Diffused polycarbonate | Medium |

All values typical unless otherwise stated (tolerance +/- 10%).
 Part numbers listed in the table above are cool white. For neutral white models, replace the 6th character with an **N**.

Swivel Mount



- EEX-S6**
- 316 stainless steel swivel mounting bracket
 - Can be angled at 0°, 30°, 45°, 60°, and 90°



Ceiling Mount



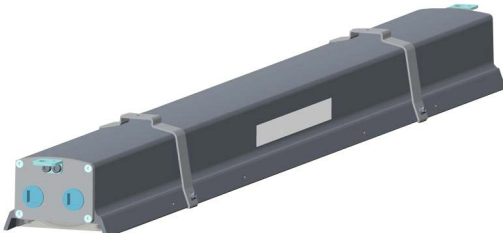
- EEX-C6**
- 316 stainless steel fixed ceiling mount



Flush Mount



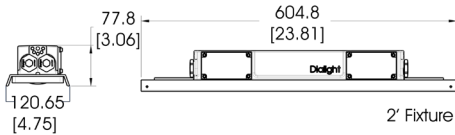
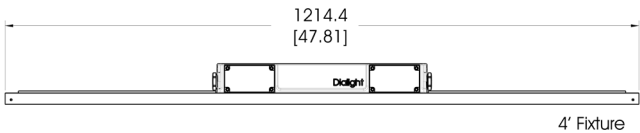
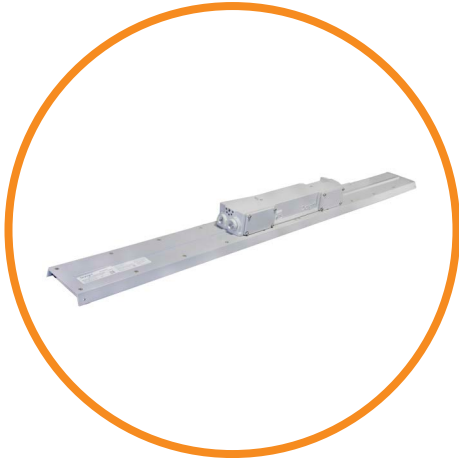
- EEX-F6**
- 316 stainless steel flush mount



DISCLAIMER. All product information provided is, to the best of Dialight's knowledge, accurate as of the date of publication. When ordering, refer to www.dialight.com for current versions of: (a) relevant product documentation (including the relevant product data sheets); (b) Dialight terms and conditions of sale; and, (c) the relevant product warranty. To the extent that any contract is deemed formed between Dialight and the purchaser of Dialight products and/or an end-user, versions of documents available at www.dialight.com as at the date of sale shall be the versions incorporated therein. In the event of any discrepancy between this document or information provided at www.dialight.com, the latter shall prevail.

DuroSite® LED Linear - Low Profile

Technical Specifications



Dimensions in inches [mm]

Certifications & Ratings

- UL 1598/A*
- CSA C22.2 No. 250*
- IP66/67
- NEMA 4X
- 5 year warranty

*ETL listed

Mechanical Information:

- Fixture weight:** 4' - 10 lb (4.5 kg)
2' - 7 lb (3.2 kg)
- Shipping weight:** 4' - 11 lb (5.0 kg)
2' - 8 lb (3.6 kg)
- Mounting:** (4) 3/4" NPT openings
Optional swivel bracket - LPXW4
Optional low profile bracket - LPXW4LP

Electrical Specifications:

- Operating voltage:** 100-277 VAC, 50/60Hz
- Power consumption:** See ordering information
- Operating temp:** -40°F to +149°F (-40°C to +65°C)
- Harmonics:** IEC 61000-3-2
- Noise requirements/EMC:** FCC Title 47, Subpart B, Section 15, Class A device. RF Immunity; 10V/m, 80MHz-1GHz
- Surge protection:** EN 61000-4-5
4 kV line-to-line
4 kV line-to-ground
- THD:** < 20%
- Power factor:** > 0.9

Power supply equipped with inline fuse

Construction:

- Finish:** Superior dual coat finish
- Sealed polyester topcoat
- Chemical resistant epoxy primer
- Lens:** Polycarbonate

Photometric Information:

- CRI:** 80
- CCT:** 5000K (cool white)
4000K (neutral white)
- IES files:** Available at www.dialight.com

All values typical unless otherwise stated (tolerance +/- 10%)

WARNING - INSTALLATION & SECONDARY RETENTION. Use of any Dialight products without proper installation (including secondary retention / netting) and periodic inspections could cause severe injury or death. Dialight recommends that all installations should use secondary retention / netting (appropriate to the installation environment) where applicable. It is the exclusive responsibility of the contractor, installer and/or end-user to: (a) determine the suitability of the product for its intended application; and, (b) ensure that the product is safely installed (with secondary retention / netting where appropriate) and in compliance with all applicable laws and regulations. To the extent permissible under applicable laws, Dialight disclaims all liability for personal injury and/or other damage resulting from any dislodgment or other dislocation of its products.

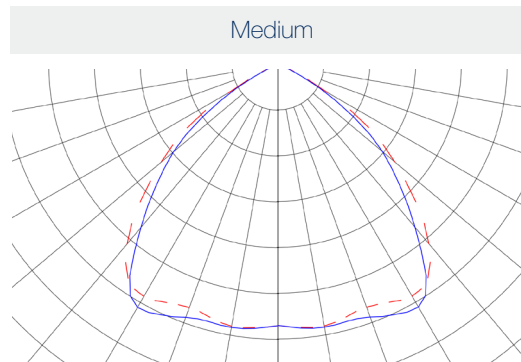
DuroSite® LED Linear - Low Profile

Ordering Information & Accessories

| Part Number | Length | CRI | Fixture Lumens | Watt | lm/W | Voltage | CCT | Lens | Beam Distribution |
|-------------|--------|-----|----------------|------|------|-------------|-----------------------|------------------------|-------------------|
| LPM3C4M2P | 4' | 80 | 7,900 | 60 | 132 | 100-277 VAC | 5000K (cool white) | Clear Polycarbonate | Medium |
| LPM3C4H2W | 4' | 80 | 7,100 | 60 | 118 | 100-277 VAC | 5000K (cool white) | Diffused Polycarbonate | Medium |
| LPM3N4M2P | 4' | 80 | 7,300 | 60 | 122 | 100-277 VAC | 4000K (neutral white) | Clear Polycarbonate | Medium |
| LPM3N4H2W | 4' | 80 | 6,700 | 60 | 112 | 100-277 VAC | 4000K (neutral white) | Diffused Polycarbonate | Medium |
| LPM3C4D2P | 2' | 80 | 3,850 | 29 | 133 | 100-277 VAC | 5000K (cool white) | Clear Polycarbonate | Medium |
| LPM3C4B2W | 2' | 80 | 3,500 | 29 | 121 | 100-277 VAC | 5000K (cool white) | Diffused Polycarbonate | Medium |
| LPM3N4D2P | 2' | 80 | 3,600 | 29 | 124 | 100-277 VAC | 4000K (neutral white) | Clear Polycarbonate | Medium |
| LPM3N4B2W | 2' | 80 | 3,300 | 29 | 114 | 100-277 VAC | 4000K (neutral white) | Diffused Polycarbonate | Medium |

All values typical unless otherwise stated (tolerance +/- 10%).

The part numbers in the above table are provided in 5000K (cool white). To order part numbers in 4000K (neutral white), please change the 5th character to an **N**. Ex. LPM3**C**4M2P becomes LPM3**N**4M2P.



LPXW4

- 316 stainless steel mounting bracket
- Can be angled at 0°, 30°, 45°, 60° & 90°



LPXW4LP

- 316 stainless steel low profile mounting bracket
- Can be angled at 0° and 15°



LTXSAFEKIT

- Stainless steel safety cable kit for secondary retention



LTXENDCAPKIT

- 304 stainless steel chain mount and secondary retention bracket

DISCLAIMER. All product information provided is, to the best of Dialight's knowledge, accurate as of the date of publication. When ordering, refer to www.dialight.com for current versions of: (a) relevant product documentation (including the relevant product data sheets); (b) Dialight terms and conditions of sale; and, (c) the relevant product warranty. To the extent that any contract is deemed formed between Dialight and the purchaser of Dialight products and/or an end-user, versions of documents available at www.dialight.com as at the date of sale shall be the versions incorporated therein. In the event of any discrepancy between this document or information provided at www.dialight.com, the latter shall prevail.

DuroSite® LED Linear - Top Conduit

Technical Specifications



Certifications & Ratings

- UL 1598/A*
- CSA C22.2 No. 250*
- IP66
- NEMA 4X
- 5 year warranty

*ETL listed

Mechanical Information:

- Fixture weight:** 4' - 10 lb (4.5 kg)
2' - 7 lb (3.2 kg)
- Shipping weight:** 4' - 11 lb (5.0 kg)
2' - 8 lb (3.6 kg)
- Mounting:** (3) 3/4" NPT openings
Optional swivel bracket - LTXW4
Optional low profile bracket - LTXW4LP

Electrical Specifications:

- Operating voltage:** 100-277 VAC, 50/60Hz
- Power consumption:** See ordering information
- Operating temp:** -40°F to +149°F (-40°C to +65°C)
- Harmonics:** IEC 61000-3-2
- Noise requirements/EMC:** FCC Title 47, Subpart B, Section 15, Class A device. RF Immunity; 10V/m, 80MHz-1GHz
- Surge protection:** EN 61000-4-5
4 kV line-to-line
4 kV line-to-ground
- THD:** < 20%
- Power factor:** > 0.9

Power supply equipped with inline fuse

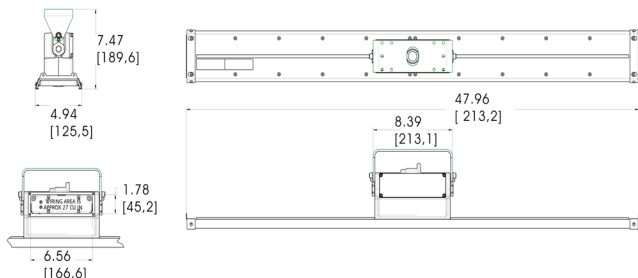
Construction:

- Finish:** Superior dual coat finish
- Sealed polyester topcoat
- Chemical resistant epoxy primer
- Lens:** Polycarbonate

Photometric Information:

- CRI:** 80
- CCT:** 5000K (cool white)
4000K (neutral white)
- IES files:** Available at www.dialight.com

All values typical unless otherwise stated (tolerance +/- 10%)



Dimensions in inches [mm]

WARNING - INSTALLATION & SECONDARY RETENTION. Use of any Dialight products without proper installation (including secondary retention / netting) and periodic inspections could cause severe injury or death. Dialight recommends that all installations should use secondary retention / netting (appropriate to the installation environment) where applicable. It is the exclusive responsibility of the contractor, installer and/or end-user to: (a) determine the suitability of the product for its intended application; and, (b) ensure that the product is safely installed (with secondary retention / netting where appropriate) and in compliance with all applicable laws and regulations. To the extent permissible under applicable laws, Dialight disclaims all liability for personal injury and/or other damage resulting from any dislodgment or other dislocation of its products.

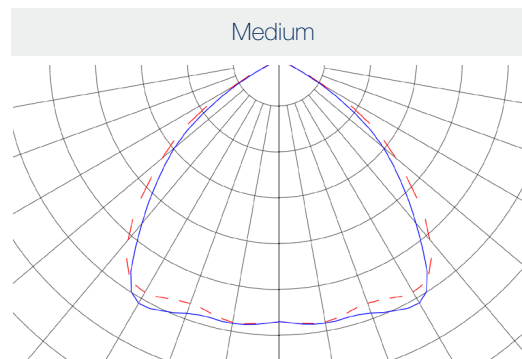
DuroSite® LED Linear - Top Conduit

Ordering Information & Accessories

| Part Number | Length | CRI | Fixture Lumens | Watt | lm/W | Voltage | CCT | Lens | Beam Distribution |
|-------------|--------|-----|----------------|------|------|-------------|-----------------------|------------------------|-------------------|
| LTM3C4M2P | 4' | 80 | 7,900 | 60 | 132 | 100-277 VAC | 5000K (cool white) | Clear Polycarbonate | Medium |
| LTM3C4H2W | 4' | 80 | 7,100 | 60 | 118 | 100-277 VAC | 5000K (cool white) | Diffused Polycarbonate | Medium |
| LTM3N4M2P | 4' | 80 | 7,300 | 60 | 122 | 100-277 VAC | 4000K (neutral white) | Clear Polycarbonate | Medium |
| LTM3N4H2W | 4' | 80 | 6,700 | 60 | 112 | 100-277 VAC | 4000K (neutral white) | Diffused Polycarbonate | Medium |
| LTM3C4D2P | 2' | 80 | 3,850 | 29 | 133 | 100-277 VAC | 5000K (cool white) | Clear Polycarbonate | Medium |
| LTM3C4B2W | 2' | 80 | 3,500 | 29 | 121 | 100-277 VAC | 5000K (cool white) | Diffused Polycarbonate | Medium |
| LTM3N4D2P | 2' | 80 | 3,600 | 29 | 124 | 100-277 VAC | 4000K (neutral white) | Clear Polycarbonate | Medium |
| LTM3N4B2W | 2' | 80 | 3,300 | 29 | 114 | 100-277 VAC | 4000K (neutral white) | Diffused Polycarbonate | Medium |

All values typical unless otherwise stated (tolerance +/- 10%).

Part numbers listed in the table above are cool white. For neutral white model, replace the 5th character with N. Ex. LTM3C4D2P becomes LTM3N4D2P



LTXW4

- Mounting bracket
- Can be angled at 0°, 30°, 45°, 60° & 90°



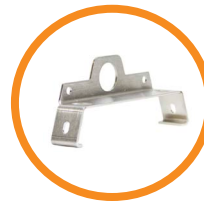
LTXW4LP

- Mounting bracket
- Can be angled at 0° and 15°



LTXSAFEKIT

- Stainless steel safety cable kit for secondary retention



LTXENDCAPKIT

- 304 stainless steel chain mount and secondary retention bracket



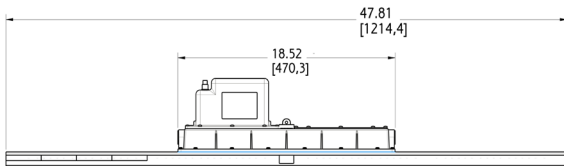
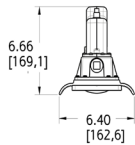
LTXLSXW4

- Retrofit bracket adapter used to connect LTM model fixtures to an existing LSXW4 bracket

DISCLAIMER. All product information provided is, to the best of Dialight's knowledge, accurate as of the date of publication. When ordering, refer to www.dialight.com for current versions of: (a) relevant product documentation (including the relevant product data sheets); (b) Dialight terms and conditions of sale; and, (c) the relevant product warranty. To the extent that any contract is deemed formed between Dialight and the purchaser of Dialight products and/or an end-user, versions of documents available at www.dialight.com as at the date of sale shall be the versions incorporated therein. In the event of any discrepancy between this document or information provided at www.dialight.com, the latter shall prevail.

DuroSite® LED Linear - Battery Backup

Technology Specifications



Dimensions in inches [mm]

Certifications & Ratings

- UL 1598/A*
- UL 924*
- CSA C22.2 No. 250*
- IP66
- NEMA 4X
- 5 year warranty

*ETL listed

Mechanical Information:

| | |
|-------------------------|--|
| Fixture weight: | 18 lb (8.2 kg) |
| Shipping weight: | 21 lb (9.5 kg) |
| Mounting: | (1) Threaded 3/4" NPT side (2) Threaded 3/4" NPT ends |

Electrical Specifications:

| | |
|--------------------------------------|---|
| Operating voltage: | 120-277 VAC, 50/60Hz |
| Power consumption: | 85W |
| Operating temp: | -4°F to +149°F (-20°C to +65°C) |
| Battery: | 3.6V 10Ah Nimh |
| Battery life*: | 3 years |
| Battery duration*: | > 3 hours |
| Lumen output in Battery Mode: | 450lm |
| Harmonics: | IEC 61000-3-2 |
| Noise requirements/EMC: | FCC Title 47, Subpart B, Section 15, Class A device. RF Immunity; 10V/m, 80MHz-1GHz |
| Surge protection: | EN 61000-4-5 1 kV line to line 2 kV line to ground |
| THD: | < 20% |
| Power factor: | > 0.9 |

Construction:

| | |
|----------------|--|
| Finish: | Superior dual coat finish - Sealed polyester topcoat - Chemical resistant epoxy primer |
| Lens: | Polycarbonate |

Photometric Information:

| | |
|--|---|
| Light output in emergency mode: | 450 lumens |
| CRI: | 75 |
| CCT: | 5000K (cool white) 4000K (neutral white) |
| IES files: | Available upon request |

All values typical unless otherwise stated (tolerance +/- 10%)

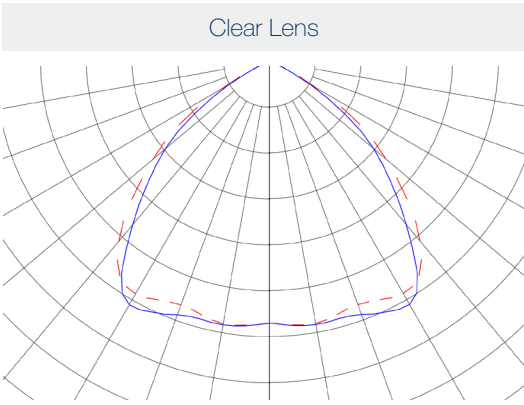
WARNING - INSTALLATION & SECONDARY RETENTION. Use of any Dialight products without proper installation (including secondary retention / netting) and periodic inspections could cause severe injury or death. Dialight recommends that all installations should use secondary retention / netting (appropriate to the installation environment) where applicable. It is the exclusive responsibility of the contractor, installer and/or end-user to: (a) determine the suitability of the product for its intended application; and, (b) ensure that the product is safely installed (with secondary retention / netting where appropriate) and in compliance with all applicable laws and regulations. To the extent permissible under applicable laws, Dialight disclaims all liability for personal injury and/or other damage resulting from any dislodgment or other dislocation of its products.

DuroSite® LED Linear - Battery Backup

Ordering Information & Accessories

| Part Number | Length | Type | CRI | Fixture Lumens | Watt | lm/W | Warranty | Voltage | CCT | Lens | Beam Distribution |
|-------------|--------|------------|-----|----------------|------|------|----------|--------------|--------------------|---------------------|-------------------|
| LSM3C4MEP | 4' | Sustained | 75 | 7,000 | 85 | 82 | 3yr | 120- 277 VAC | 5000K (cool white) | Clear Polycarbonate | Medium |
| LSM3C4MNP | 4' | Maintained | 75 | 7,000 | 85 | 82 | 3yr | 120-277 VAC | 5000K (cool white) | Clear Polycarbonate | Medium |

All values typical unless otherwise stated (tolerance +/- 10%).
 The part numbers in the above table are provided in Cool White. To order part numbers in Neutral White, please change the 5th character to an **N**. Ex. LSM3**C**4MEP becomes LSM3**N**4MEP



- LSXW4**
- Aluminum mounting bracket
 - Can be angled at 0°, 30°, 45°, 60° & 90°



- LSXENDCAPKIT**
- 304 stainless steel chain mounting brackets



- HZXSAFEKIT**
- Stainless steel safety cable kit

DISCLAIMER. All product information provided is, to the best of Dialight's knowledge, accurate as of the date of publication. When ordering, refer to www.dialight.com for current versions of: (a) relevant product documentation (including the relevant product data sheets); (b) Dialight terms and conditions of sale; and, (c) the relevant product warranty. To the extent that any contract is deemed formed between Dialight and the purchaser of Dialight products and/or an end-user, versions of documents available at www.dialight.com as at the date of sale shall be the versions incorporated therein. In the event of any discrepancy between this document or information provided at www.dialight.com, the latter shall prevail.

DuroSite® LED Wallpack / Bulkhead

Technical Specifications



Ratings and Certifications

- 5 year warranty
- L70 rated for >150,000 hours
- CSA C22.2 No. 250
- UL 1598/A
- IP66/67
- RoHS compliant

*All features not available on every model. Please refer to product part number pages for model specifics.

Specifications

| | | | |
|--------------------------|--------------------------------------|-----------------|---|
| Voltage options: | 100-277 VAC 24 - 48V DC | Housing: | Copper-free LM6 cast aluminum |
| Operating temp: | | Lens: | High impact resistance tempered glass |
| 11W / 22W | -40°F to +140°F (-40°C to +60°C) | CRI: | 75 |
| 34W | -40°F to +122°F (-40°C to +50°C) | CCT: | 5650K (cool white) 4300K (neutral white) |
| Power factor: | >0.9 | | |
| THD: | <20% | | |
| Surge protection: | 1kV line-to-line, 2kV line-to-ground | | |

Mechanical Information

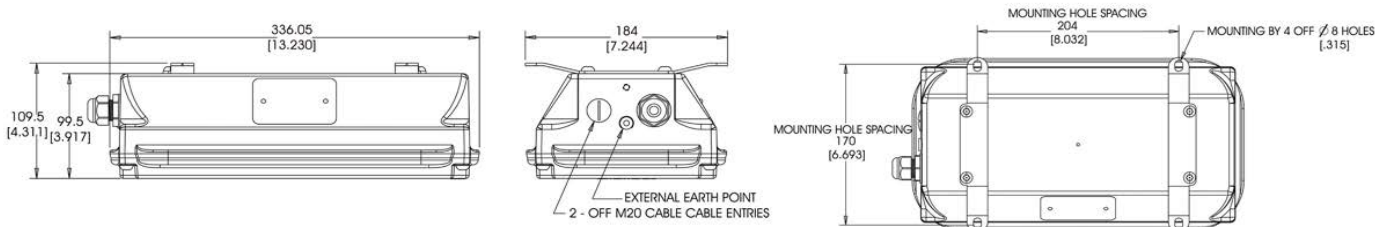
| | |
|-------------------------|---|
| Fixture weight: | 11 lb (5.0 kg) |
| Shipping weight: | 16 lb (7.3 kg) |
| Cable entry: | All cable entries are drilled and tapped (see ordering options) |
| Mounting: | Secondary retention not available |

Comparison

| | Warranty | L70 |
|----------------------------------|----------|----------|
| Dialight LED Wallpack / Bulkhead | 5yr | >150,000 |
| Metal Halide | 1 | 6,000 |
| High Pressure Sodium | 1 | 20,000 |
| Fluorescent | 1 | 24,000 |

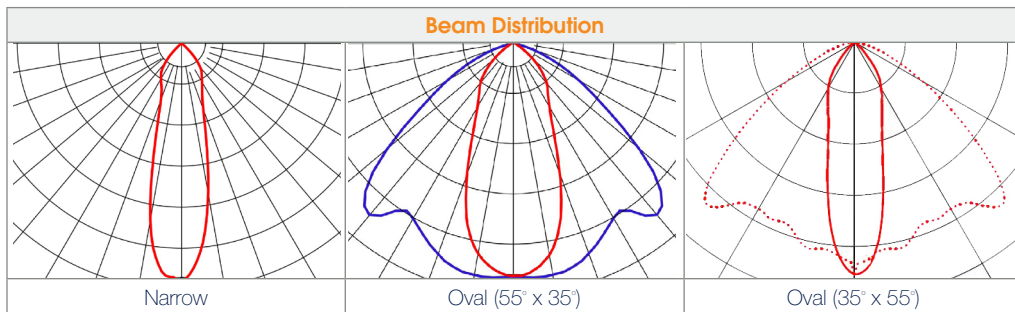
| Lumens | Wattage | lm/W | Mounting Heights |
|--------|---------|------|------------------|
| 2,250 | 34 | 66 | 20' |
| 2,150 | 34 | 63 | ↕ |
| 1,200 | 22 | 55 | |
| 600 | 11 | 55 | 10' |

Dimensions



Dimensions in mm [inches]

Beam Distribution



Entry Options

| | | | |
|--|--|---|--|
| | | | |
| Standard Option 2 Entries One Side | Option "E" 2 Entries One Side, 1 Entry Opposite Side. Add E to the end of the order code | Option "R" Add R to the end of the order code | Option "H" 2 Entries One Side, 2 Entries Opposite Side and 1 Entry in the Rear Add H to the end of the order code |

WARNING - INSTALLATION & SECONDARY RETENTION. Use of any Dialight products without proper installation (including secondary retention / netting) and periodic inspections could cause severe injury or death. Dialight recommends that all installations should use secondary retention / netting (appropriate to the installation environment) where applicable. It is the exclusive responsibility of the contractor, installer and/or end-user to: (a) determine the suitability of the product for its intended application; and, (b) ensure that the product is safely installed (with secondary retention / netting where appropriate) and in compliance with all applicable laws and regulations. To the extent permissible under applicable laws, Dialight disclaims all liability for personal injury and/or other damage resulting from any dislodgment or other dislocation of its products.

DuroSite® LED Wallpack / Bulkhead

Ordering Information & Accessories

| Part Number | Fixture Lumens | Wattage | lm/W | IP Rating | Voltage | CCT | Lens | Beam Distribution |
|--------------------------------------|----------------|---------|------|-----------|-------------|--------------------|----------------------|-------------------|
| Standard Models - 100-277 VAC | | | | | | | | |
| WP-2C3L-NLGC | 2,250 | 34 | 66 | IP66 | 100-277 VAC | 5650K (cool white) | Clear tempered glass | Narrow |
| WP-4C3L-NLGC | 2,250 | 34 | 66 | IP66 | 100-277 VAC | 5650K (cool white) | Clear tempered glass | Oval (35° X 55°) |
| WP-5C3L-NLGC | 2,150 | 34 | 63 | IP66 | 100-277 VAC | 5650K (cool white) | Clear tempered glass | Oval (55° X 35°) |
| WP-2C3H-NLGC | 1,200 | 22 | 55 | IP66 | 100-277 VAC | 5650K (cool white) | Clear tempered glass | Narrow |
| WP-4C3H-NLGC | 1,200 | 22 | 55 | IP66 | 100-277 VAC | 5650K (cool white) | Clear tempered glass | Oval (35° X 55°) |
| WP-5C3H-NLGC | 1,200 | 22 | 55 | IP66 | 100-277 VAC | 5650K (cool white) | Clear tempered glass | Oval (55° X 35°) |
| WP-2C3C-NLGC | 600 | 11 | 55 | IP66 | 100-277 VAC | 5650K (cool white) | Clear tempered glass | Narrow |
| WP-4C3C-NLGC | 600 | 11 | 55 | IP66 | 100-277 VAC | 5650K (cool white) | Clear tempered glass | Oval (35° X 55°) |
| WP-5C3C-NLGC | 600 | 11 | 55 | IP66 | 100-277 VAC | 5650K (cool white) | Clear tempered glass | Oval (55° X 35°) |
| Standard Models - 24-48 VDC | | | | | | | | |
| WP-2C2H-NLGC | 1,200 | 22 | 55 | IP66 | 24-48 VDC | 5650K (cool white) | Clear tempered glass | Narrow |
| WP-4C2H-NLGC | 1,200 | 22 | 55 | IP66 | 24-48 VDC | 5650K (cool white) | Clear tempered glass | Oval (35° X 55°) |
| WP-5C2H-NLGC | 1,200 | 22 | 55 | IP66 | 24-48 VDC | 5650K (cool white) | Clear tempered glass | Oval (55° X 35°) |
| WP-2C2C-NLGC | 600 | 11 | 55 | IP66 | 24-48 VDC | 5650K (cool white) | Clear tempered glass | Narrow |
| WP-5C2C-NLGC | 600 | 11 | 55 | IP66 | 24-48 VDC | 5650K (cool white) | Clear tempered glass | Oval (55° X 35°) |

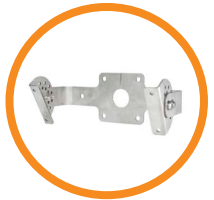
All values typical unless otherwise stated (tolerance +/- 10%).

Part numbers listed in the table above are cool white. For neutral white models, replace the 4th character with an **N**.

Part numbers listed in the table do not come with a bracket. For factory-installed angle bracket, replace the 10th character with an **A**.

Part numbers listed in the table do not come with a bracket. For factory-installed flush bracket, replace the 10th character with an **F**.

Part numbers listed in the table come with a clear lens. For frosted lens models, replace the 13th character with an **E**. (Lens will reduce lumen output by 6%)



WP-BRKT-SS-ADJ

- Adjustable bracket
- Includes self-tapping screws



WP-STMB-LG85-22

- 1 1/2" BSP-threaded straight stanchion mounting bracket

WP-STMB-LG85-24

- 1 1/2" NPT-threaded straight stanchion mounting bracket



WP-STMB-LG85-22

- 1 1/2" BSP-threaded 85° stanchion mounting bracket

WP-STMB-LG85-24

- 1 1/2" NPT-threaded 85° stanchion mounting bracket

WP-STMB-LG85-50

- Non-threaded bore 34mm diameter

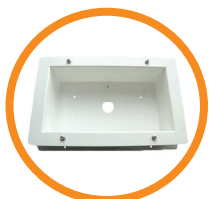
WP-STMB-LG85-60

- Non-threaded bore 38mm diameter



WP-BRKT-LG-PF

- Pipe and flush bracket
- Includes self-tapping screws



WP-RECESS-WH

- Recessed housing
- Bracket to fixture hardware



WP-STMB-LG25-22

- 1 1/2" BSP-threaded 25° stanchion mounting bracket

WP-STMB-LG25-24

- 1 1/2" NPT-threaded 25° stanchion mounting bracket

DISCLAIMER. All product information provided is, to the best of Dialight's knowledge, accurate as of the date of publication. When ordering, refer to www.dialight.com for current versions of: (a) relevant product documentation (including the relevant product data sheets); (b) Dialight terms and conditions of sale; and, (c) the relevant product warranty. To the extent that any contract is deemed formed between Dialight and the purchaser of Dialight products and/or an end-user, versions of documents available at www.dialight.com as at the date of sale shall be the versions incorporated therein. In the event of any discrepancy between this document or information provided at www.dialight.com, the latter shall prevail.

DuroSite® LED RTO Area Light

Technical Specifications



Ratings and Certifications

- 5 year warranty
- L70 rated for >150,000 hours
- CSA C22.2 No. 250
- UL 1598/A
- IP66
- NEMA 4X

*All features not available on every model. Please refer to product part number pages for model specifics.

Mechanical Information

| | |
|--|---|
| Fixture weight: | |
| RTO0Wxx001: | 2.5 lb (1.13 kg) |
| RTO0Wxx005: | 3.2 lb (1.45 kg) |
| RTO0Wxx004: | 0.8 lb (0.36 kg) |
| Shipping weight: | |
| RTO0Wxx001: | 3.0 lb (1.36 kg) |
| RTO0Wxx005: | 4.5 lb (2.04 kg) |
| RTO0Wxx004: | 1.4 lb (0.64 kg) |
| Mounting: Secondary retention not available | |
| Pendant mount: | 1" & 3/4" NPT reducer bi-directional mounting |
| Ceiling mount: | 3/4" NPT 5-way surface mounting |
| Pendant mount: | 3/4" NPT-threaded conduit |

Specifications

| | | | |
|--------------------------|--------------------------------------|-----------------|----------------------|
| Voltage options: | 100-277 VAC | Housing: | Copper-free aluminum |
| | 24-48 VDC | Lens: | Polycarbonate |
| Operating temp: | -40°F to +133°F | CRI: | 75 |
| | (-40°C to +55°C) | CCT: | 6000K (cool white) |
| Power factor: | >0.9 | | |
| THD: | <20% | | |
| Surge protection: | 1kV line-to-line, 2kV line-to-ground | | |

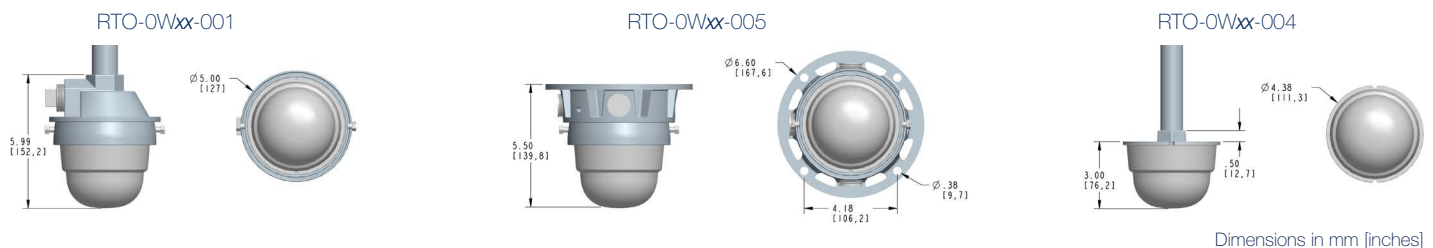
Comparison

| | Warranty | L70 |
|-----------------------------|----------|----------|
| Dialight LED RTO Area Light | 5yr | >150,000 |
| Metal Halide | 1 | 6,000 |
| High Pressure Sodium | 1 | 20,000 |
| Fluorescent | 1 | 24,000 |

Lumens Wattage lm/W Mounting Heights

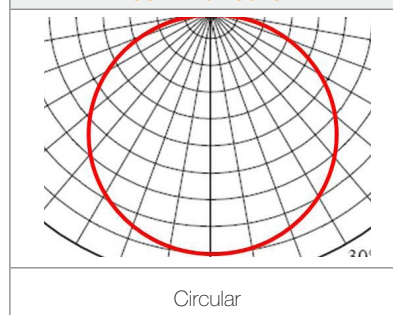
| Lumens | Wattage | lm/W | Mounting Heights |
|--------|---------|------|------------------|
| 800 | 8 | 100 | 15' and lower |
| 470 | 8 | 59 | |

Dimensions



Dimensions in mm [inches]

Beam Distribution



WARNING - INSTALLATION & SECONDARY RETENTION. Use of any Dialight products without proper installation (including secondary retention / netting) and periodic inspections could cause severe injury or death. Dialight recommends that all installations should use secondary retention / netting (appropriate to the installation environment) where applicable. It is the exclusive responsibility of the contractor, installer and/or end-user to: (a) determine the suitability of the product for its intended application; and, (b) ensure that the product is safely installed (with secondary retention / netting where appropriate) and in compliance with all applicable laws and regulations. To the extent permissible under applicable laws, Dialight disclaims all liability for personal injury and/or other damage resulting from any dislodgment or other dislocation of its products.

DuroSite® LED RTO Area Light

Ordering Information & Accessories

| Part Number | Type | Fixture Lumens | Watt | lm/W | Voltage | CCT | Lens | Beam Distribution |
|--------------------------------------|---------------------------------|----------------|------|------|-------------|--------------------|---------------------|-------------------|
| Standard models - 100-277 VAC | | | | | | | | |
| RTO0W17005 | Ceiling mount with junction box | 800 | 8 | 100 | 100-277 VAC | 6000K (cool white) | Clear polycarbonate | Circular |
| RTO0W17004 | Pendant mount | 800 | 8 | 100 | 100-277 VAC | 6000K (cool white) | Clear polycarbonate | Circular |
| RTO0W17001 | Pendant mount with junction box | 800 | 8 | 100 | 100-277 VAC | 6000K (cool white) | Clear polycarbonate | Circular |
| RTO0W07005 | Ceiling mount with junction box | 470 | 8 | 59 | 100-277 VAC | 6000K (cool white) | Clear polycarbonate | Circular |
| RTO0W07004 | Pendant mount | 470 | 8 | 59 | 100-277 VAC | 6000K (cool white) | Clear polycarbonate | Circular |
| RTO0W07001 | Pendant mount with junction box | 470 | 8 | 59 | 100-277 VAC | 6000K (cool white) | Clear polycarbonate | Circular |
| Standard Models - 24-48 VDC | | | | | | | | |
| RTO0W18005 | Ceiling mount with junction box | 800 | 8 | 100 | 24-48 VDC | 6000K (cool white) | Clear polycarbonate | Circular |
| RTO0W18004 | Pendant mount | 800 | 8 | 100 | 24-48 VDC | 6000K (cool white) | Clear polycarbonate | Circular |
| RTO0W18001 | Pendant mount with junction box | 800 | 8 | 100 | 24-48 VDC | 6000K (cool white) | Clear polycarbonate | Circular |
| RTO0W08005 | Ceiling mount with junction box | 470 | 8 | 59 | 24-48 VDC | 6000K (cool white) | Clear polycarbonate | Circular |
| RTO0W08004 | Pendant mount | 470 | 8 | 59 | 24-48 VDC | 6000K (cool white) | Clear polycarbonate | Circular |
| RTO0W08001 | Pendant mount with junction box | 470 | 8 | 59 | 24-48 VDC | 6000K (cool white) | Clear polycarbonate | Circular |

All values typical unless otherwise stated (tolerance +/- 10%).



Pendant Mount

- 3/4" NPT-threaded conduit



Pendant Mount with Junction Box

- 1" & 3/4" NPT reducer bi-directional mounting



Ceiling Mount with Junction Box

- 3/4" 5-way surface mounting



RTO1000

- Flush wall mount



RTO1001

- Junction box wall mount

DISCLAIMER. All product information provided is, to the best of Dialight's knowledge, accurate as of the date of publication. When ordering, refer to www.dialight.com for current versions of: (a) relevant product documentation (including the relevant product data sheets); (b) Dialight terms and conditions of sale; and, (c) the relevant product warranty. To the extent that any contract is deemed formed between Dialight and the purchaser of Dialight products and/or an end-user, versions of documents available at www.dialight.com as at the date of sale shall be the versions incorporated therein. In the event of any discrepancy between this document or information provided at www.dialight.com, the latter shall prevail.

SafeSite® LED High Bay - UL / CSA

Class I, Div. 1 and Class I, Zone 1 - 100-277 VAC



Mechanical Information:

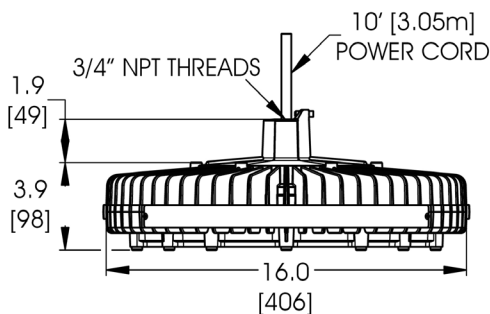
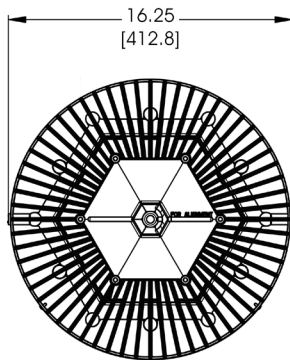
Fixture weight:
30 lb (13.6 kg)

Shipping weight:
35 lb (15.9 kg)

Mounting:
3/4" NPT - top
Various Kits
Secondary retention option available

Power Cord:
10' 18 AWG STOOV

10 year warranty
Class I, Div. 1 Groups C, D
Class I, Div. 1 Groups B, C, D
Class I Zone 1, Groups IIB
Class I, Div. 2 Groups C, D
Class II, Div. 1 Groups E, F, G
Class II, Div. 2 Groups F, G
*Group B applies to HEP models only



Dimensions in inches [mm]

Temperature Ratings:

Ambient Temp Range
T4 Temp Code: -40°F to +149°F (-40°C to +65°C)

Ambient Temp Range
T5 Temp Code: -40°F to +131°F (-40°C to +50°C)

Certifications & Ratings:

| | |
|--------------------------|------------------------------|
| UL 844 (wet locations) | NEMA 4X |
| CSA 22.2 No. 137-M81 | UL 8750 |
| IP66/67 (100-277 Models) | L70 rated for >150,000 hours |

Variable Dimming:

Variable Dimming Control: 0-10 VDC

Dimming Range: 10 VDC = 100% light output
0 VDC = <5% light output

Electrical Specifications:

Operating voltage: 100-277 VAC, 120-250 VDC

Power consumption: See table

Operating temp: -40°F to +149°F (-40°C to +65°C)

Harmonics: IEC 61000-3-2

Noise requirement /EMC: FCC Title 47, Subpart B, Section 15, Class A device. RF Immunity; 10V/m, 80MHz-1GHz

Transient protection: Protection devices capable of handling up to 6kA. Tested with 10kv/2 ohm combination wave, as per IEEE C62.41, line-line and line-ground

THD: < 20%

Power factor: >0.9

Fusing: Internal

Construction:

Housing: Copper free aluminum

Finish: Superior dual coat finish
Sealed polyester topcoat
Chemical-resistant epoxy primer

Lens: See table

Photometric Information:

CRI: 80

CCT: 5000K (cool white)
4000K (neutral white)

All values typical unless otherwise stated (tolerance +/- 10%)

WARNING - INSTALLATION & SECONDARY RETENTION. Use of any Dialight products without proper installation (including secondary retention / netting) and periodic inspections could cause severe injury or death. Dialight recommends that all installations should use secondary retention / netting (appropriate to the installation environment) where applicable. It is the exclusive responsibility of the contractor, installer and/or end-user to: (a) determine the suitability of the product for its intended application; and, (b) ensure that the product is safely installed (with secondary retention / netting where appropriate) and in compliance with all applicable laws and regulations. To the extent permissible under applicable laws, Dialight disclaims all liability for personal injury and/or other damage resulting from any dislodgment or other dislocation of its products.

SafeSite® LED High Bay - UL / CSA

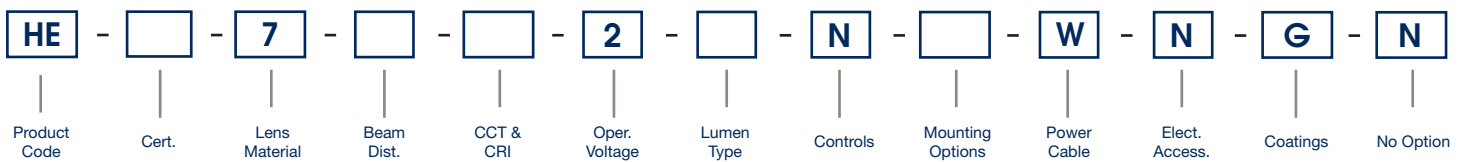
Class I, Div. 1 and Class I, Zone 1 - 100-277 VAC



| Project Information | |
|---------------------|-------|
| Part Number: | |
| Project: | |
| Fixture Type: | Date: |

| Specifications |
|----------------|
| |
| |
| |
| |

Ordering Information



| Product Code | Beam Distribution | Lumen Type | Power Cable |
|--|--------------------------------|---|-----------------------------|
| HE High Bay 3/4" NPT | E Oval | A 9,500 Lumens | W 10' [3 meter] Power Cable |
| Certification | M Medium | B 12,500 Lumens | Electrical Accessories |
| C UL 844, CID1, Class I, Zone 1 | N Narrow | C 16,000 Lumens | N No Plug |
| M UL 844, CID1 Paint Spray Class I, Zone 1 | W Wide | E 23,500 Lumens | Coatings |
| P UL 844, CID1 Group B, Class I, Zone 1 | CCT & CRI | Controls | G Gray (RAL 7040) |
| Lens Material | C Cool White 5000K - 80 CRI | N No Option | Option |
| 7 Tempered Glass | N Neutral White 4000K - 80 CRI | Mounting Options | N No Option |
| Operating Voltage | 2 100-277 VAC / 120-250 VDC | N Pendant 3/4" NPT | |
| | | P Pendant 3/4" NPT with Safety Retention Tabs | |

Notes
 1) Lumen type based on using a glass lens. See tables for lumens when changing lenses.

DISCLAIMER. All product information provided is, to the best of Dialight's knowledge, accurate as of the date of publication. When ordering, refer to www.dialight.com for current versions of: (a) relevant product documentation (including the relevant product data sheets); (b) Dialight terms and conditions of sale; and, (c) the relevant product warranty. To the extent that any contract is deemed formed between Dialight and the purchaser of Dialight products and/or an end-user, versions of documents available at www.dialight.com as at the date of sale shall be the versions incorporated therein. In the event of any discrepancy between this document or information provided at www.dialight.com, the latter shall prevail.

Ordering Information

SafeSite® LED High Bay

Class I, Div. 1 and Class I, Zone 1 - 100-277 VAC



| Class I, Div. 1 and Class I, Zone 1 - 100-277 VAC | | | | | | | | | | |
|---|--------|---------|------|---------------|-----|----------------|-------------------|-----------------|--|-----------------|
| Part Number | Lumens | Wattage | lm/W | Certification | CCT | Lens | Beam Distribution | Controls Option | Hardware Options | Wiring |
| HEC-7WC2-ENNW-NGN | 23,500 | 186 | 126 | CID1 | CW | Tempered Glass | Wide | No controls | Pendant 3/4" NPT | 10' Power Cable |
| HEC-7MC2-ENPW-NGN | 23,500 | 186 | 126 | CID1 | CW | Tempered Glass | Medium | No controls | Pendant 3/4" NPT with Safety Tabs | 10' Power Cable |
| HEM-7MC2-ENNW-NGN | 23,500 | 186 | 126 | Paint Spray | CW | Tempered Glass | Medium | No controls | Pendant 3/4" NPT | 10' Power Cable |
| HEC-7MC2-CNNW-NGN | 16,000 | 129 | 124 | CID1 | CW | Tempered Glass | Medium | No controls | Pendant 3/4" NPT | 10' Power Cable |
| HEC-7WC2-CNWW-NGN | 16,000 | 129 | 124 | CID1 | CW | Tempered Glass | Wide | No controls | Safety Bracket w/ SS 316 Forward Throw Bracket | 10' Power Cable |
| HEC-7MC2-CNPW-NGN | 16,000 | 129 | 124 | CID1 | CW | Tempered Glass | Medium | No controls | Pendant 3/4" NPT with Safety Tabs | 10' Power Cable |
| HEC-7WC2-CNTW-NGN | 16,000 | 129 | 124 | CID1 | CW | Tempered Glass | Wide | No controls | Safety Bracket w/ Locking Swivel Mount/Bracket SS316 | 10' Power Cable |
| HEC-7WC2-CNNW-NGN | 16,000 | 129 | 124 | CID1 | CW | Tempered Glass | Wide | No controls | Pendant 3/4" NPT | 10' Power Cable |
| HEC-7WC2-CNPW-NGN | 16,000 | 129 | 124 | CID1 | CW | Tempered Glass | Wide | No controls | Pendant 3/4" NPT with Safety Tabs | 10' Power Cable |
| HEM-7MC2-CNNW-NGN | 16,000 | 129 | 124 | Paint Spray | CW | Tempered Glass | Medium | No controls | Pendant 3/4" NPT | 10' Power Cable |
| HEC-7MC2-BNNW-NGN | 12,500 | 102 | 123 | CID1 | CW | Tempered Glass | Medium | No controls | Pendant 3/4" NPT | 10' Power Cable |
| HEC-7WC2-BNPW-NGN | 12,500 | 102 | 123 | CID1 | CW | Tempered Glass | Wide | No controls | Pendant 3/4" NPT with Safety Tabs | 10' Power Cable |
| HEM-7WC2-BNNW-NGN | 12,500 | 102 | 123 | Paint Spray | CW | Tempered Glass | Wide | No controls | Pendant 3/4" NPT | 10' Power Cable |
| HEC-7WC2-BNNW-NGN | 12,500 | 102 | 123 | CID1 | CW | Tempered Glass | Wide | No controls | Pendant 3/4" NPT | 10' Power Cable |
| HEC-7MC2-BNPW-NGN | 12,500 | 102 | 123 | CID1 | CW | Tempered Glass | Medium | No controls | Pendant 3/4" NPT with Safety Tabs | 10' Power Cable |
| HEM-7WN2-ANNW-NGN | 9,500 | 80 | 119 | Paint Spray | NW | Tempered Glass | Wide | No controls | Pendant 3/4" NPT | 10' Power Cable |
| HEC-7MC2-ANNW-NGN | 9,500 | 80 | 119 | CID1 | CW | Tempered Glass | Medium | No controls | Pendant 3/4" NPT | 10' Power Cable |
| HEC-7WC2-ANNW-NGN | 9,500 | 80 | 119 | CID1 | CW | Tempered Glass | Wide | No controls | Pendant 3/4" NPT | 10' Power Cable |
| HEC-7MN2-ANNW-NGN | 9,250 | 80 | 116 | CID1 | NW | Tempered Glass | Medium | No controls | Pendant 3/4" NPT | 10' Power Cable |

All values typical unless otherwise stated (tolerance +/- 10%).

0-10V dimming option available for products in the above table. Replace the ninth character **N** with **D**. Ex: HEC-7WC2-~~EN~~NNW-NGN becomes HEC-7WC2-**ED**NW-NGN. See ordering chart for additional options.

DISCLAIMER. All product information provided is, to the best of Dialight's knowledge, accurate as of the date of publication. When ordering, refer to www.dialight.com for current versions of: (a) relevant product documentation (including the relevant product data sheets); (b) Dialight terms and conditions of sale; and, (c) the relevant product warranty. To the extent that any contract is deemed formed between Dialight and the purchaser of Dialight products and/or an end-user, versions of documents available at www.dialight.com as at the date of sale shall be the versions incorporated therein. In the event of any discrepancy between this document or information provided at www.dialight.com, the latter shall prevail.

SafeSite® LED High Bay - UL / CSA

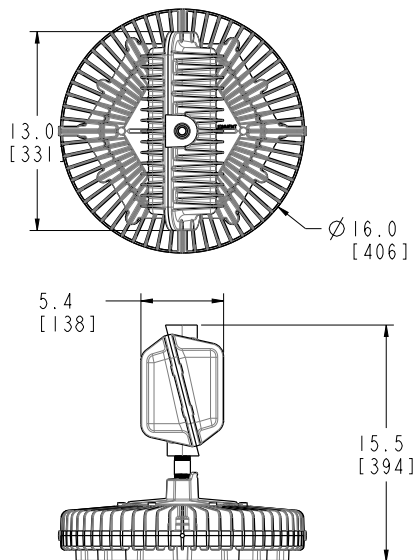
Class I, Div. 1 Passive Power Supply Model - 347 or 480 VAC



Patent pending

Certifications & Ratings:

- UL 844 (wet locations)
- CSA C22.2 No. 137-M81
- IP66/67
- NEMA 4X
- L70 rated for >150,000 hours
- Class I, Div. 1 Groups C, D
- Zone 1, Group IIB
- Class I, Div. 2 Groups C, D
- Class II, Div. 1 Groups E, F, G
- Class II, Div. 2 Groups F, G



Dimensions in inches (mm)

Mechanical Information:

| | |
|-------------------------|------------------|
| Fixture weight: | 52 lbs (23.6 kg) |
| Shipping weight: | 59 lbs (26.8 kg) |
| Mounting: | 3/4" NPT - top |

Temperature Ratings:

| | |
|--|----------------------------------|
| Ambient temp range T4A temp code: | -40°F to +149°F (-40°C to +65°C) |
| Ambient temp range T5 temp code: | -40°F to +131°F (-40°C to +55°C) |

Electrical Specifications:

| | |
|--|---|
| Operating voltage: | 347 or 480 VAC (see part number table) |
| Total system power consumption: | See table |
| Operating temperature: | -40°F to +149°F (-40°C to +65°C) |
| Noise requirement /EMC: | FCC Title 47, Subpart B, Section 15, class A device. RF Immunity; 10V/m, 80MHz-1GHz |
| Transient protection: | Tested for 10kV/2 ohm combination wave, as per IEEE C62.41, line-line and line ground |
| THD: | <10K <30% >10K <20% |

| | |
|----------------------|----------|
| Power factor: | >0.9 |
| Fusing: | Internal |

Construction:

| | |
|-----------------|---|
| Housing: | Copper free aluminum |
| Finish: | Superior dual coat finish - Sealed polyester topcoat - Epoxy primer |
| Lens: | See table |

Photometric Information:

| | |
|-------------|---|
| CRI: | 80 |
| CCT: | 5000K (cool white) 4000K (neutral white) |

All values typical unless otherwise stated (tolerance +/- 10%)

DISCLAIMER. All product information provided is, to the best of Dialight's knowledge, accurate as of the date of publication. When ordering, refer to www.dialight.com for current versions of: (a) relevant product documentation (including the relevant product data sheets); (b) Dialight terms and conditions of sale; and, (c) the relevant product warranty. To the extent that any contract is deemed formed between Dialight and the purchaser of Dialight products and/or an end-user, versions of documents available at www.dialight.com as at the date of sale shall be the versions incorporated therein. In the event of any discrepancy between this document or information provided at www.dialight.com, the latter shall prevail.

SafeSite® LED High Bay - UL / CSA

Class I, Div. 1 Passive Power Supply Model - 347 or 480 VAC



| Project Information | | | Specifications | | |
|---------------------|--|-------|----------------|--|--|
| Part Number: | | | | | |
| Project: | | | | | |
| Fixture Type: | | Date: | | | |

Ordering Information

| HE | C | 7 | M | | | | N | | W | N | G | N |
|----------------------------------|---|---------------|---|-----------|-------------------------------|------------|----------|------------------|-------------|----------------|----------|-----------|
| Product Code | Cert. | Lens Material | Beam Dist. | CCT & CRI | Oper. Voltage | Lumen Type | Controls | Mounting Options | Power Cable | Elect. Access. | Coatings | No Option |
| Product Code | Beam Distribution | | Lumen Type¹ | | Power Cable | | | | | | | |
| HE High Bay Passive Power Supply | M Medium | | A 9,500 Lumens B 14,000 Lumens C 18,000 Lumens E 27,000 Lumens | | W 10' (3 meter) Power Cable | | | | | | | |
| Certification | CCT & CRI | | Controls | | Electrical Accessories | | | | | | | |
| C UL 844 CID1 | C Cool White 5000K - 80 CRI N Neutral White 4000K - 80 CRI | | N No Option | | N No Plug | | | | | | | |
| Lens Material | Operating Voltage | | Mounting Options | | Coatings | | | | | | | |
| 7 Tempered Glass | P 480 VAC Q 347 VAC | | N Pendant 3/4" NPT P Pendant 3/4" NPT with Safety Retention Tabs | | G Gray (RAL 7040) | | | | | | | |
| | | | | | Option | | | | | | | |
| | | | | | N No Option | | | | | | | |

Notes

1) Lumen values provided for reference only. Actual lumen values provided in the table on page 3.

| Part Number | Lumens | Wattage | lm/W | CCT | Lens | Beam Distribution | Hardware Options | Wiring |
|-----------------------|--------|---------|------|--------------------|----------------|-------------------|------------------|-----------------|
| 347 VAC Models | | | | | | | | |
| HEC-7MCQ-ENNW-NGN | 27,400 | 206 | 133 | 5000K (cool white) | Tempered Glass | Medium | Pendant 3/4" NPT | 10' Power Cable |
| HEC-7MCQ-CNNW-NGN | 18,300 | 136 | 135 | 5000K (cool white) | Tempered Glass | Medium | Pendant 3/4" NPT | 10' Power Cable |
| HEC-7MCQ-BNNW-NGN | 13,200 | 100 | 132 | 5000K (cool white) | Tempered Glass | Medium | Pendant 3/4" NPT | 10' Power Cable |
| HEC-7MCQ-ANNW-NGN | 9,800 | 81 | 121 | 5000K (cool white) | Tempered Glass | Medium | Pendant 3/4" NPT | 10' Power Cable |
| 480 VAC Models | | | | | | | | |
| HEC-7MCP-ENNW-NGN | 27,200 | 206 | 132 | 5000K (cool white) | Tempered Glass | Medium | Pendant 3/4" NPT | 10' Power Cable |
| HEC-7MCP-CNNW-NGN | 18,200 | 129 | 141 | 5000K (cool white) | Tempered Glass | Medium | Pendant 3/4" NPT | 10' Power Cable |
| HEC-7MCP-BNNW-NGN | 15,200 | 116 | 131 | 5000K (cool white) | Tempered Glass | Medium | Pendant 3/4" NPT | 10' Power Cable |
| HEC-7MCP-ANNW-NGN | 9,400 | 73 | 129 | 5000K (cool white) | Tempered Glass | Medium | Pendant 3/4" NPT | 10' Power Cable |

All values typical unless otherwise stated (tolerance +/- 10%)

See ordering chart for additional options.

DISCLAIMER. All product information provided is, to the best of Dialight's knowledge, accurate as of the date of publication. When ordering, refer to www.dialight.com for current versions of: (a) relevant product documentation (including the relevant product data sheets); (b) Dialight terms and conditions of sale; and, (c) the relevant product warranty. To the extent that any contract is deemed formed between Dialight and the purchaser of Dialight products and/or an end-user, versions of documents available at www.dialight.com as at the date of sale shall be the versions incorporated therein. In the event of any discrepancy between this document or information provided at www.dialight.com, the latter shall prevail.

SafeSite® LED High Bay - UL / CSA

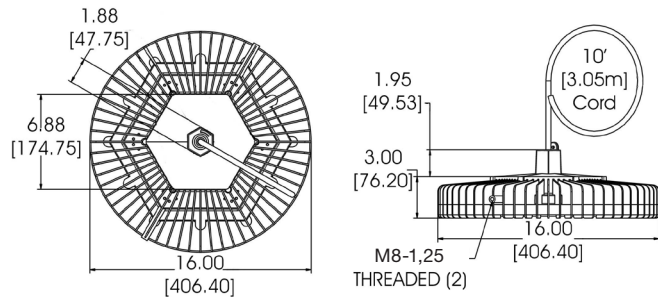
Class I, Div. 2 and Class I, Zone 2 - 100-277 VAC

Corded Model



Mechanical Information:

- Fixture weight:** 18 lb (8.2 kg)
- Shipping weight:** 24 lb (10.9 kg)
- Mounting:** 3/4" NPT - top
Various Kits
Secondary retention option available
- Power Cord:** 10' 18 AWG ST00W
Patent pending

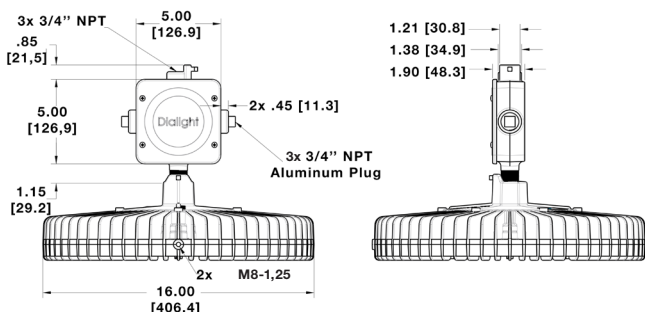


Integrated Wiring Box Model



Mechanical Information:

- Fixture weight:** 20 lb (9.1 kg)
- Shipping weight:** 26 lb (11.8 kg)
- Mounting:** 3/4" NPT or Hook
Secondary retention option available
- Wiring Box Cable Entries:** (3x) 3/4" NPT



Dimensions in inches [mm]

Temperature Ratings:

Ambient Temp Range
T4 Temp Code: -40°F to +149°F (-40°C to +65°C)

Ambient Temp Range
T5 Temp Code: -40°F to +131°F (-40°C to +50°C)

Certifications & Ratings:

UL 844 (wet locations) NEMA 4X
 CSA 22.2 No. 137-M81 UL 8750
 IP66/67 (100-277 Models) L70 rated for >150,000 hours
 Class I, Div. 2 Groups A, B, C, D
 Class I, Zone 2, Group IIC
 Class II, Div. 1 Groups E, F, G (HE models only)
 Class II, Div. 2 Groups F, G
 Class III, Div. 1 & 2
 10 year warranty

Variable Dimming:

Variable Dimming Control: 0-10 VDC
Dimming Range: 10 VDC = 100% light output
 0 VDC = <5% light output

Electrical Specifications:

Operating voltage: 100-277 VAC, 120-250 VDC
Power consumption: See table
Operating temp: -40°F to +149°F (-40°C to +65°C)
Harmonics: IEC 61000-3-2
Noise requirement /EMC: FCC Title 47, Subpart B, Section 15, Class A device. RF Immunity; 10V/m, 80MHz-1GHz
Transient protection: Protection devices capable of handling up to 6kA. Tested with 10kv/2 ohm combination wave, as per IEEE C62.41, line-line and line-ground
THD: < 20%
Power factor: >0.9
Fusing: Internal

Construction:

Housing: Copper free aluminum
Finish: Superior dual coat finish
 Sealed polyester topcoat
 Chemical-resistant epoxy primer
Lens: See table

Photometric Information:

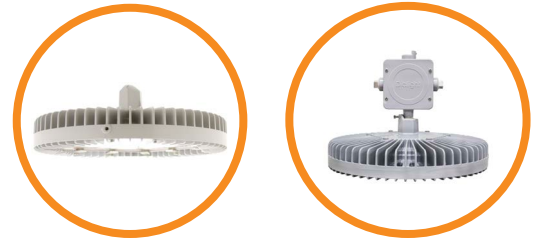
CRI: 80
CCT: 5000K (cool white)
 4000K (neutral white)

All values typical unless otherwise stated (tolerance +/- 10%)

WARNING - INSTALLATION & SECONDARY RETENTION. Use of any Dialight products without proper installation (including secondary retention / netting) and periodic inspections could cause severe injury or death. Dialight recommends that all installations should use secondary retention / netting (appropriate to the installation environment) where applicable. It is the exclusive responsibility of the contractor, installer and/or end-user to: (a) determine the suitability of the product for its intended application; and, (b) ensure that the product is safely installed (with secondary retention / netting where appropriate) and in compliance with all applicable laws and regulations. To the extent permissible under applicable laws, Dialight disclaims all liability for personal injury and/or other damage resulting from any dislodgment or other dislocation of its products.

SafeSite® LED High Bay - UL / CSA

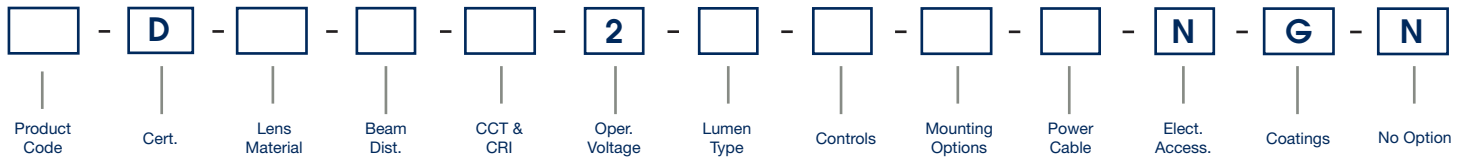
Class I, Div. 2 and Class I, Zone 2 - 100-277 VAC



| Project Information | |
|---------------------|-------|
| Part Number: | |
| Project: | |
| Fixture Type: | Date: |

| Specifications |
|----------------|
| |
| |
| |

Ordering Information



| | | | |
|---|---|---|--|
| Product Code HC High Bay Integrated Pendant Wiring Box HE High Bay 3/4" NPT | Beam Distribution E Oval M Medium N Narrow W Wide | Lumen Type A 11,250 Lumens B 14,250 Lumens C 19,500 Lumens E 26,250 Lumens | Power Cable N No Cord (HC only) W 10' [3 meter] Power Cable |
| Certification D UL 844 CID2, CII, CIII Class I, Zone 2 | CCT & CRI C Cool White 5000K - 80 CRI N Neutral White 4000K - 80 CRI | Controls D Dimming (0-10V) N No Option | Electrical Accessories N No Plug |
| Lens Material 4 Polycarbonate - Clear 7 Tempered Glass L Polycarbonate Dome - Diffused R Power Wash Tempered Glass | Operating Voltage 2 100-277 VAC / 120-250 VDC | Mounting Options H Hook (HC only) N Pendant 3/4" NPT P Pendant 3/4" NPT with Safety Retention Tabs R Safety Retention Tabs with Hook (HC only) | Coatings G Gray (RAL 7040) |
| | | | Option N No Option |

Notes
 1) Lumen type based on using a glass lens. See tables for lumens when changing lenses.

DISCLAIMER. All product information provided is, to the best of Dialight's knowledge, accurate as of the date of publication. When ordering, refer to www.dialight.com for current versions of: (a) relevant product documentation (including the relevant product data sheets); (b) Dialight terms and conditions of sale; and, (c) the relevant product warranty. To the extent that any contract is deemed formed between Dialight and the purchaser of Dialight products and/or an end-user, versions of documents available at www.dialight.com as at the date of sale shall be the versions incorporated therein. In the event of any discrepancy between this document or information provided at www.dialight.com, the latter shall prevail.

Ordering Information

Class I, Div. 2 and Class I, Zone 2 - 100-277 VAC



Corded Model - Class I, Div. 2 and Class I, Zone 2 - 100-277 VAC

| Part Number | Lumens | Wattage | lm/W | CCT | Lens | Beam Distribution | Controls Option | Hardware Options | Wiring |
|-------------------|--------|---------|------|-----|--------------------------|-------------------|-----------------|---|-----------------|
| HED-7WC2-ENNW-NGN | 26,250 | 186 | 141 | CW | Tempered Glass | Wide | No controls | Pendant 3/4" NPT | 10' Power Cable |
| HED-7MC2-ENPW-NGN | 26,250 | 186 | 141 | CW | Tempered Glass | Medium | No controls | Pendant 3/4" NPT with Safety Tabs | 10' Power Cable |
| HED-7WC2-ENPW-NGN | 26,250 | 186 | 141 | CW | Tempered Glass | Wide | No controls | Pendant 3/4" NPT with Safety Tabs | 10' Power Cable |
| HED-7WC2-ENTW-NGN | 26,250 | 186 | 141 | CW | Tempered Glass | Wide | No controls | Safety Bracket w/ Locking Swivel Mount/ Bracket SS316 | 10' Power Cable |
| HED-7MC2-ENNW-NGN | 26,250 | 186 | 141 | CW | Tempered Glass | Medium | No controls | Pendant 3/4" NPT | 10' Power Cable |
| HED-7WC2-ENWV-NGN | 26,250 | 186 | 141 | CW | Tempered Glass | Wide | No controls | Safety Bracket w/ SS 316 Forward Throw Bracket | 10' Power Cable |
| HED-4MC2-ENNW-NGN | 25,250 | 186 | 136 | CW | Polycarbonate - Clear | Medium | No controls | Pendant 3/4" NPT | 10' Power Cable |
| HED-7WC2-CNWW-NGN | 19,500 | 129 | 151 | CW | Tempered Glass | Wide | No controls | Safety Bracket w/ SS 316 Forward Throw Bracket | 10' Power Cable |
| HED-7MC2-CNPW-NGN | 19,500 | 129 | 151 | CW | Tempered Glass | Medium | No controls | Safety Tabs | 10' Power Cable |
| HED-7WC2-CNNW-NGN | 19,500 | 129 | 151 | CW | Tempered Glass | Wide | No controls | Pendant 3/4" NPT | 10' Power Cable |
| HED-7WC2-CNTW-NGN | 19,500 | 129 | 151 | CW | Tempered Glass | Wide | No controls | Safety Bracket w/ Locking Swivel Mount/ Bracket SS316 | 10' Power Cable |
| HED-4MC2-CNNW-NGN | 18,750 | 129 | 145 | CW | Polycarbonate - Clear | Medium | No controls | Pendant 3/4" NPT | 10' Power Cable |
| HED-7MC2-CNNW-NGN | 19,500 | 129 | 151 | CW | Tempered Glass | Medium | No controls | Pendant 3/4" NPT | 10' Power Cable |
| HED-7MC2-BNWW-NGN | 14,250 | 102 | 140 | CW | Tempered Glass | Medium | No controls | Pendant 3/4" NPT | 10' Power Cable |
| HED-7WC2-BNPW-NGN | 14,250 | 102 | 140 | CW | Tempered Glass | Wide | No controls | Pendant 3/4" NPT with Safety Tabs | 10' Power Cable |
| HED-7MC2-BNPW-NGN | 14,250 | 102 | 140 | CW | Tempered Glass | Medium | No controls | Pendant 3/4" NPT with Safety Tabs | 10' Power Cable |
| HED-7MN2-BNPW-NGN | 13,750 | 102 | 135 | NW | Tempered Glass | Medium | No controls | Pendant 3/4" NPT with Safety Tabs | 10' Power Cable |
| HED-7WC2-BNWW-NGN | 14,250 | 102 | 140 | CW | Tempered Glass | Wide | No controls | Pendant 3/4" NPT | 10' Power Cable |
| HED-4MC2-BNWW-NGN | 13,750 | 102 | 135 | CW | Polycarbonate - Clear | Medium | No controls | Pendant 3/4" NPT | 10' Power Cable |
| HED-7MC2-ANNW-NGN | 11,250 | 80 | 141 | CW | Tempered Glass | Medium | No controls | Pendant 3/4" NPT | 10' Power Cable |
| HED-7MC2-ANPW-NGN | 11,250 | 80 | 141 | CW | Tempered Glass | Medium | No controls | Pendant 3/4" NPT with Safety Tabs | 10' Power Cable |
| HED-7WC2-ANNW-NGN | 11,250 | 80 | 141 | CW | Tempered Glass | Wide | No controls | Pendant 3/4" NPT | 10' Power Cable |
| HED-4MC2-ANNW-NGN | 10,750 | 80 | 134 | CW | Polycarbonate - Clear | Medium | No controls | Pendant 3/4" NPT | 10' Power Cable |
| HED-5MC2-ANNW-NGN | 10,500 | 80 | 131 | CW | Polycarbonate - Diffused | Medium | No controls | Pendant 3/4" NPT | 10' Power Cable |

All values typical unless otherwise stated (tolerance +/- 10%).

0-10V dimming option available for products in the above table. Replace the ninth character **N** with **D**. Ex: HED-7MC2-~~ENN~~W-NGN becomes HED-7MC2-~~ED~~NW-NGN.

DISCLAIMER. All product information provided is, to the best of Dialight's knowledge, accurate as of the date of publication. When ordering, refer to www.dialight.com for current versions of: (a) relevant product documentation (including the relevant product data sheets); (b) Dialight terms and conditions of sale; and, (c) the relevant product warranty. To the extent that any contract is deemed formed between Dialight and the purchaser of Dialight products and/or an end-user, versions of documents available at www.dialight.com as at the date of sale shall be the versions incorporated therein. In the event of any discrepancy between this document or information provided at www.dialight.com, the latter shall prevail.

SafeSite® LED High Bay - UL / CSA

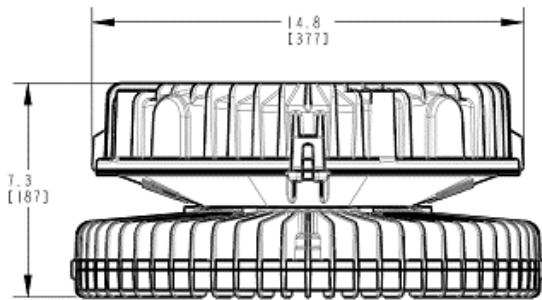
Wiring Box Model & Passive Power Supply Model - 347 and 480 VAC

Wiring Box Model - 347-480 VAC



Mechanical Information:

- Fixture weight:**
34 lb (15.4 kg)
- Shipping weight:**
39 lb (17.7 kg)
- Mounting:**
3/4" NPT - top
Various Kits
Secondary retention option available
- Wiring Box Cable Entries:**
(5x) 3/4" NPT

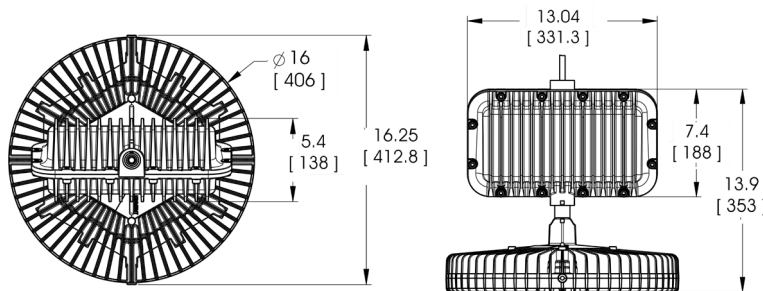


Passive Power Supply Model - 347 or 480 VAC



Mechanical Information:

- Fixture weight:**
40 lb (18.1 kg)
- Shipping weight:**
45 lb (20.4 kg)
- Mounting:**
3/4" NPT - top
Various Kits
Secondary retention option available
Patent pending



Dimensions in inches [mm]

Certifications & Ratings:

- UL 1598/A (wet locations)
- UL 8750
- IP66
- Class I, Div. 2 Groups A, B, C, D
- Class I, Zone 2, Group IIC
- Class II, Div. 1 Groups E, F, G
- Class II, Div. 2 Groups F, G
- Class III, Div. 1 & 2
- 10 year warranty
- CSA C22.2 No. 250.0-08
- NEMA 4X
- L70 rated for >150,000 hours

Variable Dimming:

Variable Dimming Control: 0-10 VDC

Electrical Specifications:

- Operating Voltage:** 347-480 VAC
347 or 480 VAC (Passive only)
- Total system power consumption:** See table
- Operating Temp:** -40°F to +149°F (-40°C to +65°C)
- Harmonics:** IEC 61000-3-2
- Noise requirement /EMC:** FCC Title 47, Subpart B, Section 15, class A device. RF Immunity; 10V/m, 80MHz-1GHz
- Transient protection:** Protection devices capable of handling up to 10kv. Tested for 10kv/2 ohm combination wave, as per IEEE C62.41, line-line and line ground
- THD:** <20%
- Power Factor:** >0.9
- Fusing:** Internal

Construction:

- Housing:** Copper free aluminum
- Finish:** Superior dual coat finish
Sealed polyester topcoat
Chemical-resistant epoxy primer
- Lens:** See table

Photometric Information:

- CRI:** 80
- CCT:** 5000K (cool white)
4000K (neutral white)

All values typical unless otherwise stated (tolerance +/- 10%)

WARNING - INSTALLATION & SECONDARY RETENTION. Use of any Dialight products without proper installation (including secondary retention / netting) and periodic inspections could cause severe injury or death. Dialight recommends that all installations should use secondary retention / netting (appropriate to the installation environment) where applicable. It is the exclusive responsibility of the contractor, installer and/or end-user to: (a) determine the suitability of the product for its intended application; and, (b) ensure that the product is safely installed (with secondary retention / netting where appropriate) and in compliance with all applicable laws and regulations. To the extent permissible under applicable laws, Dialight disclaims all liability for personal injury and/or other damage resulting from any dislodgment or other dislocation of its products.

SafeSite® LED High Bay - UL / CSA

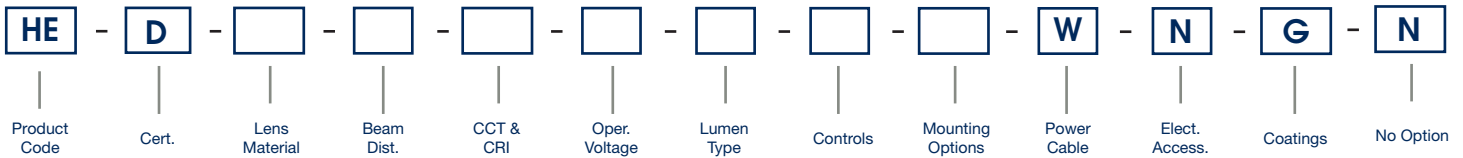
Wiring Box Model & Passive Power Supply Models - 347 and 480 VAC



| Project Information | |
|---------------------|-------|
| Part Number: | |
| Project: | |
| Fixture Type: | Date: |

| Specifications |
|----------------|
| |
| |
| |

Ordering Information



Product Code

HE High Bay 3/4" NPT

Beam Distribution

- E Oval (Voltage A only)
- M Medium (required for Voltage P, Q)
- N Narrow (Voltage A only)
- W Wide (Voltage A only)

Lumen Type

- A 11,250 Lumens
- B 14,250 Lumens
- C 18,000 Lumens
- E 27,000 Lumens

Power Cable

- N No Cord (Voltage A only)
- W 10' (3 meter) Power Cable

Certification

D UL 844 CID2, CII, CIII Class I, Zone 2

CCT & CRI

- C Cool White 5000K - 80 CRI
- N Neutral White 4000K - 80 CRI

Controls

- D Dimming (Voltage A only)
- N No Dimming

Electrical Accessories

- N No Plug

Lens Material

- 4 Polycarbonate - Clear
- 7 Tempered Glass
- L Polycarbonate Dome - Diffused
- R Power Wash Tempered Glass

Operating Voltage

- A 347/480 VAC Step Down Transformer
- P 480 VAC
- Q 347 VAC

Mounting Options

- H Hook (Voltage A only)
- N Pendant 3/4" NPT
- P Pendant 3/4" NPT with Safety Retention Tabs
- R Safety Retention Tabs with Hook (Voltage A only)

Coatings

- G Gray (RAL 7040)

Option

- N No Option

Notes

- 1) Lumen type based on using a glass lens. See tables for lumens when changing lenses.
- 3) Passive must be (M) Medium beam distribution.

DISCLAIMER. All product information provided is, to the best of Dialight's knowledge, accurate as of the date of publication. When ordering, refer to www.dialight.com for current versions of: (a) relevant product documentation (including the relevant product data sheets); (b) Dialight terms and conditions of sale; and, (c) the relevant product warranty. To the extent that any contract is deemed formed between Dialight and the purchaser of Dialight products and/or an end-user, versions of documents available at www.dialight.com as at the date of sale shall be the versions incorporated therein. In the event of any discrepancy between this document or information provided at www.dialight.com, the latter shall prevail.

Ordering Information

SafeSite® LED High Bay - Wiring Box Model



Wiring Box Model - 347-480 VAC

| Part Number | Lumens | Wattage | lm/W | CCT | Lens | Beam Distribution | Controls Option | Hardware Options | Wiring |
|-------------------|--------|---------|------|-----|-----------------------|-------------------|-----------------|------------------|-----------------|
| HED-7MCA-CDNW-NGN | 19,500 | 158 | 123 | CW | Tempered Glass | Medium | Dimming | Pendant 3/4" NPT | 10' Power Cable |
| HED-7MCA-BDNW-NGN | 14,250 | 131 | 109 | CW | Tempered Glass | Medium | Dimming | Pendant 3/4" NPT | 10' Power Cable |
| HED-4MCA-BDNW-NGN | 13,000 | 122 | 107 | CW | Polycarbonate - Clear | Medium | Dimming | Pendant 3/4" NPT | 10' Power Cable |
| HED-4MCA-ADNW-NGN | 10,000 | 101 | 99 | CW | Polycarbonate - Clear | Medium | Dimming | Pendant 3/4" NPT | 10' Power Cable |

All values typical unless otherwise stated (tolerance +/- 10%).

See ordering chart for additional options.

Ordering Information

SafeSite® LED High Bay - Passive Power Supply Model



Passive Power Supply Model - 480 VAC

| Part Number | Lumens | Wattage | lm/W | CCT | Lens | Beam Distribution | Controls Option | Hardware Options | Wiring |
|-------------------|--------|---------|------|-----|----------------|-------------------|-----------------|------------------|-----------------|
| HED-7MCP-ENNW-NGN | 27,000 | 206 | 131 | CW | Tempered Glass | Medium | No controls | Pendant 3/4" NPT | 10' Power Cable |
| HED-7MCP-CNNW-NGN | 18,000 | 129 | 140 | CW | Tempered Glass | Medium | No controls | Pendant 3/4" NPT | 10' Power Cable |
| HED-7MCP-BNNW-NGN | 14,250 | 116 | 123 | CW | Tempered Glass | Medium | No controls | Pendant 3/4" NPT | 10' Power Cable |
| HED-7MCP-ANNW-NGN | 11,250 | 73 | 154 | CW | Tempered Glass | Medium | No controls | Pendant 3/4" NPT | 10' Power Cable |

All values typical unless otherwise stated (tolerance +/- 10%).

See ordering chart for additional options.

DISCLAIMER. All product information provided is, to the best of Dialight's knowledge, accurate as of the date of publication. When ordering, refer to www.dialight.com for current versions of: (a) relevant product documentation (including the relevant product data sheets); (b) Dialight terms and conditions of sale; and, (c) the relevant product warranty. To the extent that any contract is deemed formed between Dialight and the purchaser of Dialight products and/or an end-user, versions of documents available at www.dialight.com as at the date of sale shall be the versions incorporated therein. In the event of any discrepancy between this document or information provided at www.dialight.com, the latter shall prevail.

SafeSite® LED Low Bay - UL / CSA

Corded Model & Integrated Wiring Box Model - 100-277 VAC, Class I Div. 2

Corded Model



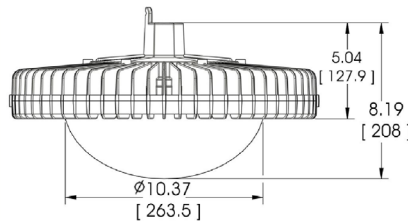
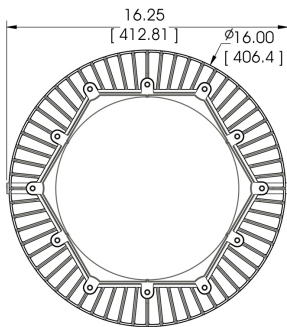
Mechanical Information:

Fixture weight:
18 lb (8.2 kg)

Shipping weight:
24 lb (10.9 kg)

Mounting:
3/4" NPT - top
Various Kits
Secondary retention option available

Power Cord:
10' 18 AWG ST00W



Integrated Wiring Box Model



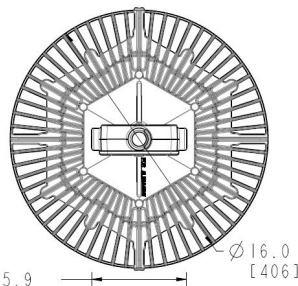
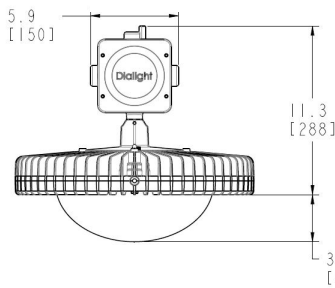
Mechanical Information:

Fixture weight:
20 lb (9.1 kg)

Shipping weight:
26 lb (11.8 kg)

Mounting:
3/4" NPT or Hook
Various Kits
Secondary retention option available

Wiring Box Cable Entries:
(3x) 3/4" NPT



Dimensions in inches [mm]

Certifications & Ratings:

UL 1598/A (wet locations) CSA C22.2 No. 250.0-08
UL 8750 NEMA 4X
IP66/67 (100-277 Models) L70 rated for >150,000 hours
Class I, Div. 2, Groups A, B, C, D
Class I, Zone 2, Group IIC
Class II, Div. 1 Groups E, F, G (HE models only)
Class II, Div. 2 Groups F, G
Class III, Div. 1 & 2
10 year warranty

Variable Dimming:

Variable Dimming Control: 0-10 VDC

Dimming Range: 10 VDC = 100% light output
0 VDC = <5% light output

Electrical Specifications:

Operating Voltage: 100-277 VAC (120-250 VDC)

Total system power consumption: See table

Operating Temp: -40°F to +149°F (-40°C to +65°C)

Harmonics: IEC 61000-3-2

Noise requirement /EMC: FCC Title 47, Subpart B, Section 15, class A device. RF Immunity; 10V/m, 80MHz-1GHz

Transient protection: Protection devices capable of handling up to 10kv. Tested for 10kv/2 ohm combination wave, as per IEEE C62.41, line-line and line ground

THD: 6K-18k lm models: <20%
4k lm models: <30%

Power Factor: >0.9

Fusing: Internal

Construction:

Housing: Copper free aluminum

Finish: Superior dual coat finish
Sealed polyester topcoat
Chemical-resistant epoxy primer

Lens: See table

Photometric Information:

CRI: 80

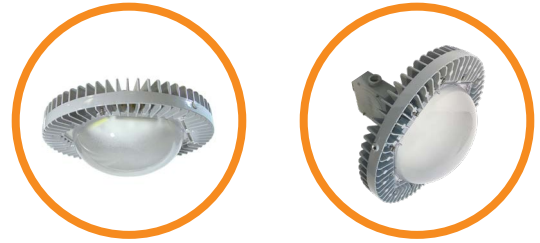
CCT: 5000K (cool white)
4000K (neutral white)
2700K (warm white)

All values typical unless otherwise stated (tolerance +/- 10%)

WARNING - INSTALLATION & SECONDARY RETENTION. Use of any Dialight products without proper installation (including secondary retention / netting) and periodic inspections could cause severe injury or death. Dialight recommends that all installations should use secondary retention / netting (appropriate to the installation environment) where applicable. It is the exclusive responsibility of the contractor, installer and/or end-user to: (a) determine the suitability of the product for its intended application; and, (b) ensure that the product is safely installed (with secondary retention / netting where appropriate) and in compliance with all applicable laws and regulations. To the extent permissible under applicable laws, Dialight disclaims all liability for personal injury and/or other damage resulting from any dislodgment or other dislocation of its products.

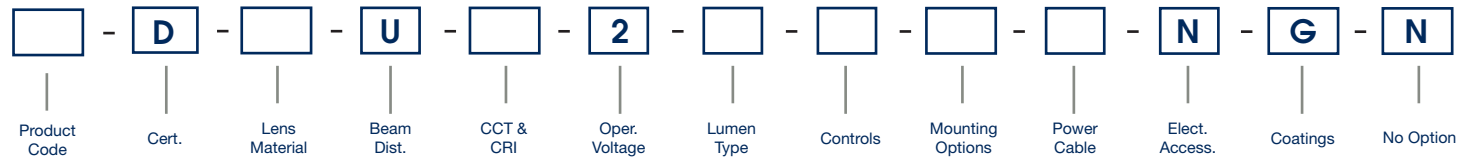
SafeSite® LED Low Bay - UL / CSA

Corded & Integrated Wiring Box - 100-277 VAC
Class I Div. 2



| Project Information | | | Specifications | | |
|---------------------|--|-------|----------------|--|--|
| Part Number: | | | | | |
| Project: | | | | | |
| Fixture Type: | | Date: | | | |

Ordering Information



| | | | |
|---|--|--|---|
| <p>Product Code</p> <p>LC Low Bay Integrated Wiring Box</p> <p>LE Low Bay</p> | <p>Beam Distribution</p> <p>U Ultra Wide</p> | <p>Lumen Type</p> <p>4 4,000 Lumens</p> <p>6 6,000 Lumens</p> <p>9 9,000 Lumens</p> <p>B 14,000 Lumens</p> <p>C 18,000 Lumens</p> | <p>Power Cable</p> <p>N No Cord (LC only)</p> <p>W 10' [3 meter] Power Cable</p> |
| <p>Certification</p> <p>D UL 844 CID2, CII, CIII Class I, Zone 2</p> | <p>CCT & CRI</p> <p>C Cool White 5000K - 80 CRI</p> <p>N Neutral White 4000K - 80 CRI</p> | <p>Controls</p> <p>D Dimming (0-10V)</p> <p>N No Option</p> | <p>Electrical Accessories</p> <p>N No Plug</p> |
| <p>Lens Material</p> <p>4 Polycarbonate - Clear</p> <p>5 Polycarbonate - Diffused</p> <p>L Polycarbonate Dome - Diffused</p> | <p>Operating Voltage</p> <p>2 100-277 VAC / 120-250 VDC</p> | <p>Mounting Options</p> <p>H Hook (LC only)</p> <p>N Pendant 3/4" NPT</p> <p>P Pendant 3/4" NPT with Safety Retention Tabs</p> <p>R Safety Retention Tabs with Hook (LE only)</p> | <p>Coatings</p> <p>G Gray (RAL 7040)</p> |
| | | | <p>Option</p> <p>N No Option</p> |

DISCLAIMER. All product information provided is, to the best of Dialight's knowledge, accurate as of the date of publication. When ordering, refer to www.dialight.com for current versions of: (a) relevant product documentation (including the relevant product data sheets); (b) Dialight terms and conditions of sale; and, (c) the relevant product warranty. To the extent that any contract is deemed formed between Dialight and the purchaser of Dialight products and/or an end-user, versions of documents available at www.dialight.com as at the date of sale shall be the versions incorporated therein. In the event of any discrepancy between this document or information provided at www.dialight.com, the latter shall prevail.

Ordering Information

SafeSite® LED Low Bay - Corded Model, Class I, Div. 2



Corded Model - Class I, Div. 2 - 100-277 VAC

| Part Number | Lumens | Wattage | lm/W | CCT | Lens | Beam Distribution | Controls Option | Hardware Options | Power Cable |
|-------------------|--------|---------|------|-----|-------------------------------|-------------------|-----------------|------------------|-----------------|
| LED-LUC2-CNNW-NGN | 18,000 | 154 | 117 | CW | Polycarbonate Dome - Diffused | Ultra Wide | No controls | Pendant 3/4" NPT | 10' Power Cable |
| LED-LUC2-BNNW-NGN | 14,000 | 114 | 123 | CW | Polycarbonate Dome - Diffused | Ultra Wide | No controls | Pendant 3/4" NPT | 10' Power Cable |
| LED-LUC2-9NNW-NGN | 9,000 | 80 | 113 | CW | Polycarbonate Dome - Diffused | Ultra Wide | No controls | Pendant 3/4" NPT | 10' Power Cable |
| LED-LUC2-6NNW-NGN | 6,000 | 56 | 107 | CW | Polycarbonate Dome - Diffused | Ultra Wide | No controls | Pendant 3/4" NPT | 10' Power Cable |

All values typical unless otherwise stated (tolerance +/- 10%).

0-10V dimming option available for products in the above table. Replace the ninth character **N** with **D**. Ex: LEU-LUC2-9**N**NW-NGN becomes LEU-LUC2-9**D**NW-NGN. See ordering chart for additional options.

SafeSite® LED High Bay

Lumen Tables

| High Bay 480V Passive Model | | | | | | | |
|-----------------------------|--------------|----------------|--------------------|----------|------------------|------------------|------------------|
| Lumen Letter | 480V Wattage | Lens Character | Material | Diffused | Lumens 5000K CCT | Lumens 4000K CCT | Lumens 2700K CCT |
| E | 206 | 7 | Tempered Glass | No | 27,000 | 26,250 | 23,000 |
| | 206 | 4 | Polycarbonate | No | 26,000 | 25,250 | 21,500 |
| | 206 | 5 | Polycarbonate | Yes | 25,250 | 24,500 | 20,750 |
| | 206 | L | Polycarbonate Dome | Yes | 25,000 | 24,250 | 20,500 |
| | 206 | 8 | Tempered Glass | Yes | 23,750 | 23000 | 19,500 |
| C | 129 | 7 | Tempered Glass | No | 18,000 | 17,500 | 14,750 |
| | 129 | 4 | Polycarbonate | No | 17,250 | 16750 | 14,250 |
| | 129 | 5 | Polycarbonate | Yes | 17,000 | 16,500 | 14,000 |
| | 129 | L | Polycarbonate Dome | Yes | 16,750 | 16,250 | 13,750 |
| | 129 | 8 | Tempered Glass | Yes | 15,750 | 15,250 | 13,000 |
| B | 116 | 7 | Tempered Glass | No | 14,250 | 13,750 | 11,750 |
| | 116 | 4 | Polycarbonate | No | 13,750 | 13,250 | 11,000 |
| | 116 | 5 | Polycarbonate | Yes | 13,500 | 13,000 | 11,000 |
| | 116 | L | Polycarbonate Dome | Yes | 13,250 | 12,750 | 10,750 |
| | 116 | 8 | Tempered Glass | Yes | 12,500 | 12,250 | 10,500 |
| A | 73 | 7 | Tempered Glass | No | 11,250 | 11,000 | 9,500 |
| | 73 | 4 | Polycarbonate | No | 10,750 | 10,500 | 9,000 |
| | 73 | 5 | Polycarbonate | Yes | 10,500 | 10,250 | 8,750 |
| | 73 | L | Polycarbonate Dome | Yes | 10,250 | 9,950 | 8,500 |
| | 73 | 8 | Tempered Glass | Yes | 9,750 | 9,500 | 8,000 |

Notes

1) For models using transformers, add 12W for 480V & 29W for 347V

| SafeSite CID1 High Bay 100-277 VAC | | | | | | | |
|------------------------------------|---------|------|----------------|----------|------------------|------------------|------------------|
| Lumen Letter | Wattage | Lens | Material | Diffused | Lumens 5000K CCT | Lumens 4000K CCT | Lumens 2700K CCT |
| E | 186 | 7 | Tempered Glass | No | 23,500 | 22,750 | 20,000 |
| | 186 | 8 | Tempered Glass | Yes | 20,750 | 20,250 | 17,250 |
| C | 129 | 7 | Tempered Glass | No | 16,000 | 15,500 | 13,250 |
| | 129 | 8 | Tempered Glass | Yes | 14,000 | 13,500 | 11,500 |
| B | 102 | 7 | Tempered Glass | No | 12,500 | 12,250 | 10,500 |
| | 102 | 8 | Tempered Glass | Yes | 11,000 | 10,750 | 9,250 |
| A | 80 | 7 | Tempered Glass | No | 9,500 | 9,250 | 7,750 |

Notes

1) For models using transformers, add 12W for 480V & 29W for 347V

DISCLAIMER. All product information provided is, to the best of Dialight's knowledge, accurate as of the date of publication. When ordering, refer to www.dialight.com for current versions of: (a) relevant product documentation (including the relevant product data sheets); (b) Dialight terms and conditions of sale; and, (c) the relevant product warranty. To the extent that any contract is deemed formed between Dialight and the purchaser of Dialight products and/or an end-user, versions of documents available at www.dialight.com as at the date of sale shall be the versions incorporated therein. In the event of any discrepancy between this document or information provided at www.dialight.com, the latter shall prevail.

SafeSite® LED High Bay

Lumen Tables & Accessories

| High Bay 347V Passive Model | | | | | | | |
|-----------------------------|--------------|----------------|--------------------|----------|------------------|------------------|------------------|
| Lumen Letter | 347V Wattage | Lens Character | Material | Diffused | Lumens 5000K CCT | Lumens 4000K CCT | Lumens 2700K CCT |
| E | 206 | 7 | Tempered Glass | No | 27,000 | 26,250 | 23,000 |
| | 206 | 4 | Polycarbonate | No | 26,000 | 25,250 | 21,500 |
| | 206 | 5 | Polycarbonate | Yes | 25,250 | 24,500 | 20,750 |
| | 206 | L | Polycarbonate Dome | Yes | 25,000 | 24,250 | 20,500 |
| | 206 | 8 | Tempered Glass | Yes | 23,750 | 23000 | 19,500 |
| C | 136 | 7 | Tempered Glass | No | 18,000 | 17,500 | 14,750 |
| | 136 | 4 | Polycarbonate | No | 17,250 | 16750 | 14,250 |
| | 136 | 5 | Polycarbonate | Yes | 17,000 | 16,500 | 14,000 |
| | 136 | L | Polycarbonate Dome | Yes | 16,750 | 16,250 | 13,750 |
| | 136 | 8 | Tempered Glass | Yes | 15,750 | 15,250 | 13,000 |
| B | 100 | 7 | Tempered Glass | No | 14,250 | 13,750 | 11,750 |
| | 100 | 4 | Polycarbonate | No | 13,750 | 13,250 | 11,000 |
| | 100 | 5 | Polycarbonate | Yes | 13,500 | 13,000 | 11,000 |
| | 100 | L | Polycarbonate Dome | Yes | 13,250 | 12,750 | 10,750 |
| | 100 | 8 | Tempered Glass | Yes | 12,500 | 12,250 | 10,500 |
| A | 81 | 7 | Tempered Glass | No | 11,250 | 11,000 | 9,500 |
| | 81 | 4 | Polycarbonate | No | 10,750 | 10,500 | 9,000 |
| | 81 | 5 | Polycarbonate | Yes | 10,500 | 10,250 | 8,750 |
| | 81 | L | Polycarbonate Dome | Yes | 10,250 | 9,950 | 8,500 |
| | 81 | 8 | Tempered Glass | Yes | 9,750 | 9,500 | 8,000 |

Notes

1) For models using transformers, add 12W for 480V & 29W for 347V



Classifications:
CID1 • CID2
HBXW1

- Wall mount
- HBXC1**
- Ceiling mount



Classifications: CID2
HBXW2

- Swivel bracket and cable gland



HBXFLAG-Y
HBXFLAG-O

- Yellow aluminum
- Orange aluminum
- Comes with 10 indicator flags



Classifications: CID2
HBXCG

- Cable gland



Classifications: CID2
HBX-DUAL-BRCKT

- Dual bracket



HBXSB

- Stainless steel (4x)



HBXCAB48

- 48" long stainless steel safety rope (for use with safety bracket)



Classifications:
CID1 • CID2
HBXW3-SSL-316

- 316 stainless steel swivel bracket
- HBXW3-SSL-304**
- 304 stainless steel swivel bracket

DISCLAIMER. All product information provided is, to the best of Dialight's knowledge, accurate as of the date of publication. When ordering, refer to www.dialight.com for current versions of: (a) relevant product documentation (including the relevant product data sheets); (b) Dialight terms and conditions of sale; and, (c) the relevant product warranty. To the extent that any contract is deemed formed between Dialight and the purchaser of Dialight products and/or an end-user, versions of documents available at www.dialight.com as at the date of sale shall be the versions incorporated therein. In the event of any discrepancy between this document or information provided at www.dialight.com, the latter shall prevail.

SafeSite® LED Floodlight

Technical Specifications



Standard Models



Slipfitter Models

Ratings and Certifications

- 10 year warranty
- L70 rated for >100,000 hours
- CSA C22.2 No.137-M81
- UL 844
- UL 1598/A
- IP66/67
- CID2 A,B,C,D
- CID1 E,F,G
- CID2 F,G
- CII
- IK07 (tempered glass) / IK10 (polycarbonate)

*All features not available on every model. Please refer to product part number pages for model specifics.

Mechanical Information

| | |
|-------------------------|--|
| Fixture weight: | 30 lb (13.6 kg) |
| Shipping weight: | 34 lb (15.4 kg) |
| Mounting: | 304 stainless steel trunnion mount (standard), integrated slip-fit mount (optional, CID2 only) Secondary retention standard |
| EPA (Sq. ft) | 1.66 sq. ft. |
| Entry: | (2) 3/4" NPT cable entries |

Specifications

| | | | |
|--------------------------|---|-----------------|---|
| Voltage options: | 100-277 VAC 347/480 VAC | Housing: | Copper-free aluminum |
| Operating temp: | -40°F to +149°F (-40°C to +65°C) | Lens: | Tempered glass Polycarbonate |
| Power factor: | >0.9 | CRI: | 75 |
| THD: | <20% | CCT: | 5000K (cool white) 4000K (neutral white) |
| Surge protection: | IEC 61000-4-5 6kV line-to-line , 6kV line-to-ground | | |

Comparison

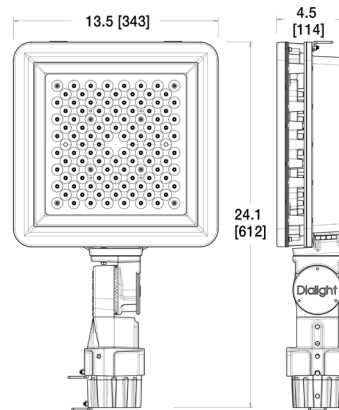
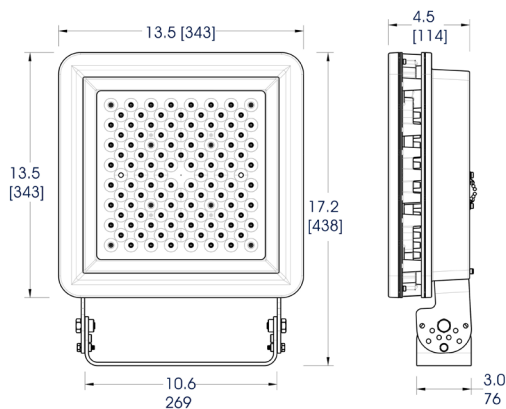
| | Warranty | L70 | T-Rating |
|-------------------------|----------|----------|----------|
| Dialight LED Floodlight | 10yr | >100,000 | T5 |
| Metal Halide | 1 | 6,000 | T2 |
| High Pressure Sodium | 1 | 20,000 | T2A |

Temperature Ratings

| Ambient Temperature Range T4A Temperature Code | Ambient Temperature Range T5 Temperature Code |
|--|---|
| 15,000 - 13,500lm models | 11,500 - 10,750lm models |
| -40°F to +149°F (-40°C to +65°C) | -40°F to +149°F (-40°C to +65°C) |

| Lumens | Wattage | lm/W | Mounting Heights |
|--------|---------|------|------------------|
| 15,000 | 135 | 111 | 30' |
| 14,750 | 135 | 109 | ↑ ↓ |
| 13,500 | 140 | 96 | |
| 11,500 | 106 | 108 | |
| 11,250 | 106 | 106 | |
| 11,000 | 106 | 104 | |
| 10,750 | 106 | 101 | |
| 10,500 | 106 | 99 | 15 |

Dimensions



Dimensions in inches [mm]

WARNING - INSTALLATION & SECONDARY RETENTION. Use of any Dialight products without proper installation (including secondary retention / netting) and periodic inspections could cause severe injury or death. Dialight recommends that all installations should use secondary retention / netting (appropriate to the installation environment) where applicable. It is the exclusive responsibility of the contractor, installer and/or end-user to: (a) determine the suitability of the product for its intended application; and, (b) ensure that the product is safely installed (with secondary retention / netting where appropriate) and in compliance with all applicable laws and regulations. To the extent permissible under applicable laws, Dialight disclaims all liability for personal injury and/or other damage resulting from any dislodgment or other dislocation of its products.

SafeSite® LED Floodlight

Ordering Information - Trunnion Mount Models

Classifications: CID2 A, B, C, D • CIID1 E, F, G • CIID2 F, G • CIII

| Legacy Part Number | New Part Number | CID2 | CIID1 | CIID2 | CIII | Fixture Lumens | Wattage | lm/W | Voltage | Beam Distribution |
|---|-----------------|------|-------|-------|------|----------------|---------|------|-------------|------------------------|
| 100-277 VAC Models - Tempered Glass Lens, 5000K | | | | | | | | | | |
| FLD466NC4NG | FLD76B2BNTNNGN | • | • | • | • | 15,000 | 135 | 111 | 100-277 VAC | NEMA 6 (115°) |
| FLD476NC4NG | FLD77B2BNTNNGN | • | • | • | • | 14,750 | 135 | 109 | 100-277 VAC | NEMA 7x6 (140° x 115°) |
| FLD467NC4NG | FLD78B2BNTNNGN | • | • | • | • | 14,750 | 135 | 109 | 100-277 VAC | NEMA 6x7 (115° x 140°) |
| FLD455NC4NG | FLD75B2BNTNNGN | • | • | • | • | 14,500 | 140 | 104 | 100-277 VAC | NEMA 5 (93°) |
| FLD444NC4NG | FLD74B2BNTNNGN | • | • | • | • | 14,500 | 140 | 104 | 100-277 VAC | NEMA 4 (52°) |
| FLD422NC4NG | FLD72B2BNTNNGN | • | • | • | • | 13,500 | 140 | 96 | 100-277 VAC | NEMA 2 (23°) |
| FLD276NC2NG | FLD77B2ANTNNGN | • | • | • | • | 11,500 | 106 | 108 | 100-277 VAC | NEMA 7x6 (140° x 115°) |
| FLD267NC2NG | FLD78B2ANTNNGN | • | • | • | • | 11,500 | 106 | 108 | 100-277 VAC | NEMA 6x7 (115° x 140°) |
| FLD266NC2NG | FLD76B2ANTNNGN | • | • | • | • | 11,250 | 106 | 106 | 100-277 VAC | NEMA 6 (115°) |
| FLD255NC2NG | FLD75B2ANTNNGN | • | • | • | • | 11,000 | 106 | 104 | 100-277 VAC | NEMA 5 (93°) |
| FLD244NC2NG | FLD74B2ANTNNGN | • | • | • | • | 10,500 | 106 | 99 | 100-277 VAC | NEMA 4 (52°) |
| FLD222NC2NG | FLD72B2ANTNNGN | • | • | • | • | 10,750 | 106 | 101 | 100-277 VAC | NEMA 2 (23°) |
| 100-277 VAC Models - Polycarbonate Lens, 5000K | | | | | | | | | | |
| FLD466NC4NP | FLD46B2BNTNNGN | • | | | | 14,000 | 135 | 104 | 100-277 VAC | NEMA 6 (115°) |
| FLD476NC4NP | FLD47B2BNTNNGN | • | | | | 13,750 | 135 | 102 | 100-277 VAC | NEMA 7x6 (140° x 115°) |
| FLD467NC4NP | FLD48B2BNTNNGN | • | | | | 13,750 | 135 | 102 | 100-277 VAC | NEMA 6x7 (115° x 140°) |
| FLD455NC4NP | FLD45B2BNTNNGN | • | | | | 13,500 | 140 | 96 | 100-277 VAC | NEMA 5 (93°) |
| FLD444NC4NP | FLD44B2BNTNNGN | • | | | | 13,500 | 140 | 96 | 100-277 VAC | NEMA 4 (52°) |
| FLD422NC4NP | FLD42B2BNTNNGN | • | | | | 12,500 | 140 | 89 | 100-277 VAC | NEMA 2 (23°) |
| FLD276NC2NP | FLD47B2ANTNNGN | • | | | | 10,500 | 106 | 99 | 100-277 VAC | NEMA 7x6 (140° x 115°) |
| FLD267NC2NP | FLD48B2ANTNNGN | • | | | | 10,500 | 106 | 99 | 100-277 VAC | NEMA 6x7 (115° x 140°) |
| FLD266NC2NP | FLD46B2ANTNNGN | • | | | | 10,250 | 106 | 97 | 100-277 VAC | NEMA 6 (115°) |
| FLD255NC2NP | FLD45B2ANTNNGN | • | | | | 10,000 | 106 | 94 | 100-277 VAC | NEMA 5 (93°) |
| FLD244NC2NP | FLD44B2ANTNNGN | • | | | | 9,500 | 106 | 90 | 100-277 VAC | NEMA 4 (52°) |
| FLD222NC2NP | FLD42B2ANTNNGN | • | | | | 9,750 | 106 | 92 | 100-277 VAC | NEMA 2 (23°) |
| 347/480 VAC Models - Tempered Glass Lens Only, 5000K | | | | | | | | | | |
| FLD466NC5NG | FLD76B5BNTNNGN | • | • | • | • | 15,000 | 135 | 111 | 347/480 VAC | NEMA 6 (115°) |
| FLD476NC5NG | FLD77B5BNTNNGN | • | • | • | • | 14,750 | 135 | 109 | 347/480 VAC | NEMA 7x6 (140° x 115°) |
| FLD467NC5NG | FLD78B5BNTNNGN | • | • | • | • | 14,750 | 135 | 109 | 347/480 VAC | NEMA 6x7 (115° x 140°) |
| FLD455NC5NG | FLD75B5BNTNNGN | • | • | • | • | 14,500 | 140 | 104 | 347/480 VAC | NEMA 5 (93°) |
| FLD444NC5NG | FLD74B5BNTNNGN | • | • | • | • | 14,500 | 140 | 104 | 347/480 VAC | NEMA 4 (52°) |
| FLD422NC5NG | FLD72B5BNTNNGN | • | • | • | • | 13,500 | 140 | 96 | 347/480 VAC | NEMA 2 (23°) |
| FLD276NC5NG | FLD77B5ANTNNGN | • | • | • | • | 11,750 | 112 | 105 | 347/480 VAC | NEMA 7x6 (140° x 115°) |
| FLD267NC5NG | FLD78B5ANTNNGN | • | • | • | • | 11,750 | 112 | 105 | 347/480 VAC | NEMA 6x7 (115° x 140°) |
| FLD266NC5NG | FLD76B5ANTNNGN | • | • | • | • | 11,250 | 112 | 100 | 347/480 VAC | NEMA 6 (115°) |
| FLD255NC5NG | FLD75B5ANTNNGN | • | • | • | • | 10,000 | 112 | 89 | 347/480 VAC | NEMA 5 (93°) |
| FLD244NC5NG | FLD74B5ANTNNGN | • | • | • | • | 10,000 | 112 | 89 | 347/480 VAC | NEMA 4 (52°) |
| FLD222NC5NG | FLD72B5ANTNNGN | • | • | • | • | 10,000 | 112 | 89 | 347/480 VAC | NEMA 2 (23°) |

All values typical unless otherwise stated (tolerance +/- 10%).

Part numbers listed in the table above are cool white. For neutral white models, replace the 8th character (legacy) or 5th character (platform) with an **N**. For bronze powder coat, replace the 10th character (legacy) or 13th character (platform) with a **Z**.

DISCLAIMER. All product information provided is, to the best of Dialight's knowledge, accurate as of the date of publication. When ordering, refer to www.dialight.com for current versions of: (a) relevant product documentation (including the relevant product data sheets); (b) Dialight terms and conditions of sale; and, (c) the relevant product warranty. To the extent that any contract is deemed formed between Dialight and the purchaser of Dialight products and/or an end-user, versions of documents available at www.dialight.com as at the date of sale shall be the versions incorporated therein. In the event of any discrepancy between this document or information provided at www.dialight.com, the latter shall prevail.

SafeSite® LED Floodlight

Ordering Information - Integrated Slip-Fit Models

Classifications: CID2 A, B, C, D

| Legacy Part Number | New Part Number | CID2 | CIID1 | CIID2 | CIID3 | Fixture Lumens | Wattage | lm/W | Voltage | Beam Distribution |
|---|-----------------|------|-------|-------|-------|----------------|---------|------|-------------|------------------------|
| 100-277 VAC Models - Tempered Glass Lens, 5000K | | | | | | | | | | |
| FLD466SC4NG | FLD76B2BNSNNGN | • | | | | 15,000 | 135 | 111 | 100-277 VAC | NEMA 6 (115°) |
| FLD476SC4NG | FLD77B2BNSNNGN | • | | | | 14,750 | 135 | 109 | 100-277 VAC | NEMA 7x6 (140° x 115°) |
| FLD467SC4NG | FLD78B2BNSNNGN | • | | | | 14,750 | 135 | 109 | 100-277 VAC | NEMA 6x7 (115° x 140°) |
| FLD455SC4NG | FLD75B2BNSNNGN | • | | | | 14,500 | 140 | 104 | 100-277 VAC | NEMA 5 (93°) |
| FLD444SC4NG | FLD74B2BNSNNGN | • | | | | 14,500 | 140 | 104 | 100-277 VAC | NEMA 4 (52°) |
| FLD422SC4NG | FLD72B2BNSNNGN | • | | | | 13,500 | 140 | 96 | 100-277 VAC | NEMA 2 (23°) |
| FLD276SC2NG | FLD77B2ANSNNGN | • | | | | 11,500 | 106 | 108 | 100-277 VAC | NEMA 7x6 (140° x 115°) |
| FLD267SC2NG | FLD78B2ANSNNGN | • | | | | 11,500 | 106 | 108 | 100-277 VAC | NEMA 6x7 (115° x 140°) |
| FLD266SC2NG | FLD76B2ANSNNGN | • | | | | 11,250 | 106 | 106 | 100-277 VAC | NEMA 6 (115°) |
| FLD255SC2NG | FLD75B2ANSNNGN | • | | | | 11,000 | 106 | 104 | 100-277 VAC | NEMA 5 (93°) |
| FLD244SC2NG | FLD74B2ANSNNGN | • | | | | 10,500 | 106 | 99 | 100-277 VAC | NEMA 4 (52°) |
| FLD222SC2NG | FLD72B2ANSNNGN | • | | | | 10,750 | 106 | 101 | 100-277 VAC | NEMA 2 (23°) |
| 100-277 VAC Models - Polycarbonate Lens, 5000K | | | | | | | | | | |
| FLD466SC4NP | FLD46B2BNSNNGN | • | | | | 14,000 | 135 | 104 | 100-277 VAC | NEMA 6 (115°) |
| FLD476SC4NP | FLD47B2BNSNNGN | • | | | | 13,750 | 135 | 102 | 100-277 VAC | NEMA 7x6 (140° x 115°) |
| FLD467SC4NP | FLD48B2BNSNNGN | • | | | | 13,750 | 135 | 102 | 100-277 VAC | NEMA 6x7 (115° x 140°) |
| FLD455SC4NP | FLD45B2BNSNNGN | • | | | | 13,500 | 140 | 96 | 100-277 VAC | NEMA 5 (93°) |
| FLD444SC4NP | FLD44B2BNSNNGN | • | | | | 13,500 | 140 | 96 | 100-277 VAC | NEMA 4 (52°) |
| FLD422SC4NP | FLD42B2BNSNNGN | • | | | | 12,500 | 140 | 89 | 100-277 VAC | NEMA 2 (23°) |
| FLD276SC2NP | FLD47B2ANSNNGN | • | | | | 10,500 | 106 | 99 | 100-277 VAC | NEMA 7x6 (140° x 115°) |
| FLD267SC2NP | FLD48B2ANSNNGN | • | | | | 10,500 | 106 | 99 | 100-277 VAC | NEMA 6x7 (115° x 140°) |
| FLD266SC2NP | FLD46B2ANSNNGN | • | | | | 10,250 | 106 | 97 | 100-277 VAC | NEMA 6 (115°) |
| FLD255SC2NP | FLD45B2ANSNNGN | • | | | | 10,000 | 106 | 94 | 100-277 VAC | NEMA 5 (93°) |
| FLD244SC2NP | FLD44B2ANSNNGN | • | | | | 9,500 | 106 | 90 | 100-277 VAC | NEMA 4 (52°) |
| FLD222SC2NP | FLD42B2ANSNNGN | • | | | | 9,750 | 106 | 92 | 100-277 VAC | NEMA 2 (23°) |
| 347/480 VAC Models - Tempered Glass Lens Only, 5000K | | | | | | | | | | |
| FLD466SC5NG | FLD76B5BNSNNGN | • | | | | 15,000 | 135 | 111 | 347/480 VAC | NEMA 6 (115°) |
| FLD476SC5NG | FLD77B5BNSNNGN | • | | | | 14,750 | 135 | 109 | 347/480 VAC | NEMA 7x6 (140° x 115°) |
| FLD467SC5NG | FLD78B5BNSNNGN | • | | | | 14,750 | 135 | 109 | 347/480 VAC | NEMA 6x7 (115° x 140°) |
| FLD455SC5NG | FLD75B5BNSNNGN | • | | | | 14,500 | 140 | 104 | 347/480 VAC | NEMA 5 (93°) |
| FLD444SC5NG | FLD74B5BNSNNGN | • | | | | 14,500 | 140 | 104 | 347/480 VAC | NEMA 4 (52°) |
| FLD422SC5NG | FLD72B5BNSNNGN | • | | | | 13,500 | 140 | 96 | 347/480 VAC | NEMA 2 (23°) |
| FLD276SC5NG | FLD77B5ANSNNGN | • | | | | 11,750 | 112 | 105 | 347/480 VAC | NEMA 7x6 (140° x 115°) |
| FLD267SC5NG | FLD78B5ANSNNGN | • | | | | 11,750 | 112 | 105 | 347/480 VAC | NEMA 6x7 (115° x 140°) |
| FLD266SC5NG | FLD76B5ANSNNGN | • | | | | 11,250 | 112 | 100 | 347/480 VAC | NEMA 6 (115°) |
| FLD255SC5NG | FLD75B5ANSNNGN | • | | | | 10,000 | 112 | 89 | 347/480 VAC | NEMA 5 (93°) |
| FLD244SC5NG | FLD74B5ANSNNGN | • | | | | 10,000 | 112 | 89 | 347/480 VAC | NEMA 4 (52°) |
| FLD222SC5NG | FLD72B5ANSNNGN | • | | | | 10,000 | 112 | 89 | 347/480 VAC | NEMA 2 (23°) |

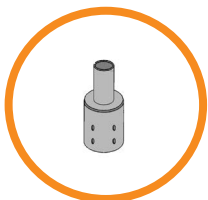
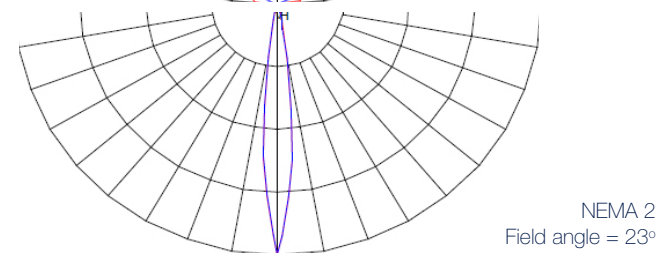
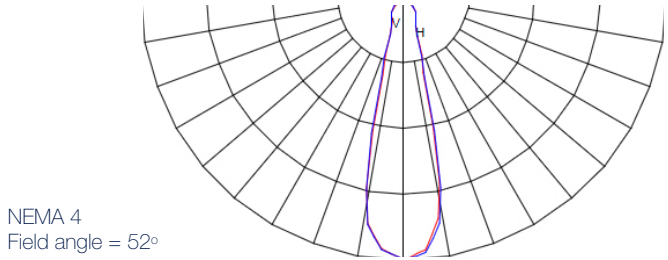
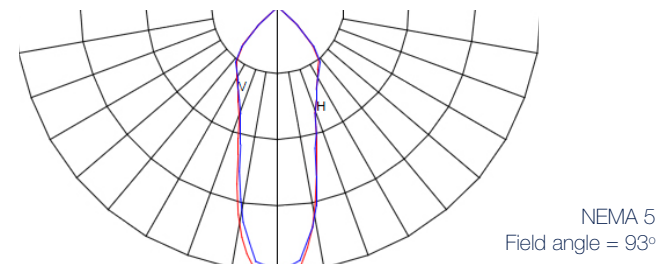
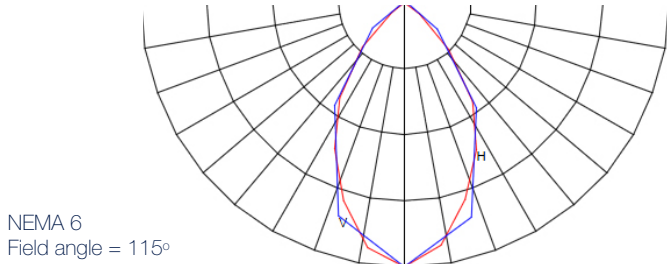
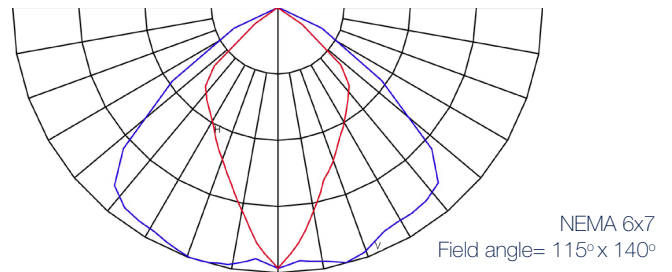
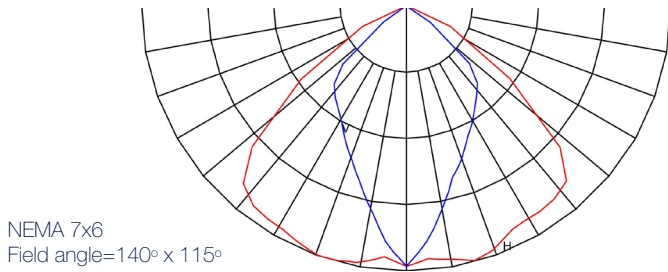
All values typical unless otherwise stated (tolerance +/- 10%).

Part numbers listed in the table above are cool white. For neutral white models, replace the 8th character (legacy) or 5th character (platform) with an **N**. For bronze powder coat, replace the 10th character (legacy) or 13th character (platform) with a **Z**.

DISCLAIMER. All product information provided is, to the best of Dialight's knowledge, accurate as of the date of publication. When ordering, refer to www.dialight.com for current versions of: (a) relevant product documentation (including the relevant product data sheets); (b) Dialight terms and conditions of sale; and, (c) the relevant product warranty. To the extent that any contract is deemed formed between Dialight and the purchaser of Dialight products and/or an end-user, versions of documents available at www.dialight.com as at the date of sale shall be the versions incorporated therein. In the event of any discrepancy between this document or information provided at www.dialight.com, the latter shall prevail.

SafeSite® LED Floodlight

Beam Distribution & Accessories



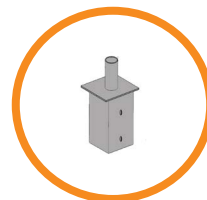
FLX-3RPA-20DB

- Reducer for 3" OD round pole top to 2-3/8" light mount



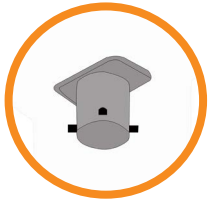
HZXCBL2

- Stainless steel safety cable kit



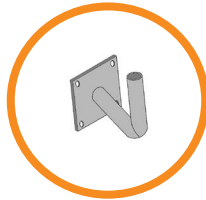
FLX-4SPA-20DB

- Internal tenon adapter for 4" square pole top to 2-3/8" light mount



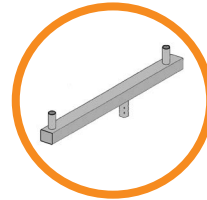
FLX-4RPA-20DB

- Reducer for 4" OD round pole top to 2-3/8" light mount



FLX-5SPA-20DB

- Tenon pole topper, 2-3/8" mount



FLX-6SPA-20DB

- 5" square pole top to 2-3/8" light mount

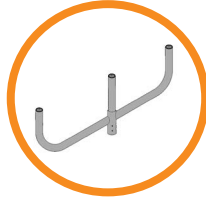
FLX-6SPA-20DB

- 6" square pole top to 2-3/8" light mount



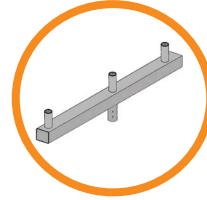
FLX-1TPT-20DB

- Tenon pole topper, 2-3/8" mount



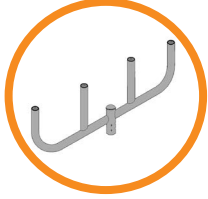
FLX-2RSR-20DB

- Tenon pole topper, 2-3/8" mount



FLX-2RSR-20DB

- Round square round bracket for 2 lights, 2-3/8" mount, 21" spacing



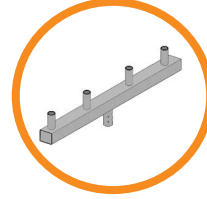
FLX-2LBH-20DB

- Bull horn for 2 lights, 2-3/8" mount, 21" spacing



FLX-3LBH-20DB

- Bull horn for 3 lights, 2-3/8" mount, 21" spacing



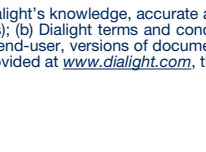
FLX-3RSR-20DB

- Round square round bracket for 3 lights, 2-3/8" mount, 21" spacing



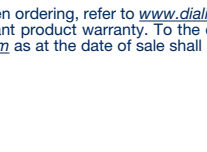
FLX-4LBH-20DB

- Bull horn for 4 lights, 2-3/8" mount, 21" spacing



FLX-4RBH-20DB

- Bull horn for 4 lights in star configuration, 2-3/8" mount, 21" spacing



FLX-4RSR-20DB

- Round square round bracket for 4 lights, 2-3/8" mount, 21" spacing

DISCLAIMER. All product information provided is, to the best of Dialight's knowledge, accurate as of the date of publication. When ordering, refer to www.dialight.com for current versions of: (a) relevant product documentation (including the relevant product data sheets); (b) Dialight terms and conditions of sale; and, (c) the relevant product warranty. To the extent that any contract is deemed formed between Dialight and the purchaser of Dialight products and/or an end-user, versions of documents available at www.dialight.com as at the date of sale shall be the versions incorporated therein. In the event of any discrepancy between this document or information provided at www.dialight.com, the latter shall prevail.

SafeSite® LED Area Light

100-277 VAC, 120-250 VDC

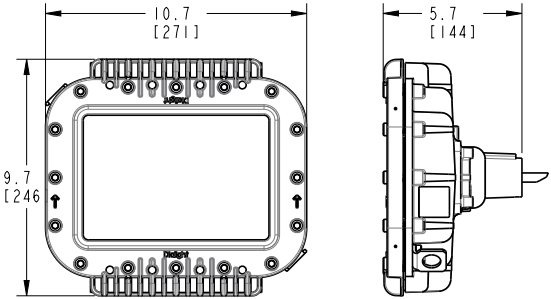


Certifications & Ratings*

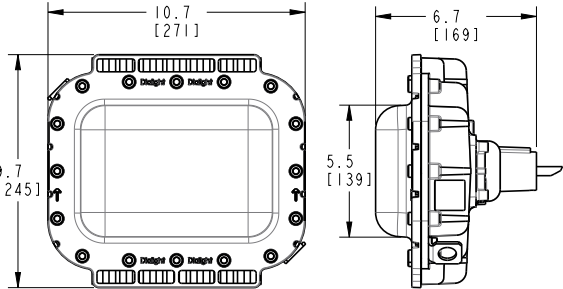
- 10 year warranty
- UL 844, UL 1598/A
- Class I, Div. 2, Groups A, B, C, D
- Class II, Div. 1, Groups E, F, G
- Class II, Div. 2 Groups F, G
- Class III, Div. 1 & 2
- Class I, Zone 2, Group IIC
- CSA C22.2 No. 250
- CSA C22.2 No. 137-M81
- IP66 / 67 / 69
- NEMA 4X
- Factory sealed
- L70 > 150,000 hours @ 65°C

*ETL listed

Tempered Glass Lens



Polycarbonate Lens



Dimensions in inches [mm]

Mechanical Information:

Fixture weight: 10 lb (4.5 kg) - Polycarbonate lens
 12 lb (5.5 kg) - Tempered glass lens
 with stainless steel bracket: 13 lb (5.9 kg) - Polycarbonate lens
 15 lb (6.8 kg) - Tempered glass lens

Shipping weight: Add 2 lb (0.91 kg) to weights above

Impact rating: IK10 - Polycarbonate lens
 IK07 - Tempered glass lens

Cabling: 10' ST00W/S00W 1.02mm 18 AWG

Mounting: Secondary retention standard

Electrical Specifications:

Operating voltage: 100-277 VAC 50/60Hz, 120-250 VDC

Total system power consumption: See table

Operating temperature: -40°F to +149°F (-40°C to +65°C)

EMC: FCC Title 47, Subpart B, Section 15, Class A device
 CISPR-15
 RF Immunity 20V/m 80MHz-1GHz.

Transient protection: 6 kV, 2 Ohm line-line and line-ground

Harmonics: IEC 61000-3-2, Class C

THD: < 20%

Power factor: > 0.9

Construction:

Housing: Copper-free aluminum
Finish: Superior dual coat finish
 - Sealed polyester topcoat
Lens: Hard-coated polycarbonate
 Tempered glass

Photometric Information:

CRI: 80
CCT: 5000K (cool white)
 4000K (neutral white)
Optics: 360°
 180° forward throw for 45° mounting
 Wide for 0° mounting

All values typical unless otherwise stated (tolerance +/- 10%)

| Temperature Ratings | |
|----------------------------------|----------------------------------|
| Ambient Temperature Range T4A | Ambient Temperature Range T5 |
| -40°F to +149°F (-40°C to +65°C) | -40°F to +113°F (-40°C to +45°C) |

WARNING - INSTALLATION & SECONDARY RETENTION. Use of any Dialight products without proper installation (including secondary retention / netting) and periodic inspections could cause severe injury or death. Dialight recommends that all installations should use secondary retention / netting (appropriate to the installation environment) where applicable. It is the exclusive responsibility of the contractor, installer and/or end-user to: (a) determine the suitability of the product for its intended application; and, (b) ensure that the product is safely installed (with secondary retention / netting where appropriate) and in compliance with all applicable laws and regulations. To the extent permissible under applicable laws, Dialight disclaims all liability for personal injury and/or other damage resulting from any dislodgment or other dislocation of its products.

SafeSite® LED Area Light

100-277 VAC, 120-250 VDC with Mounting Adapters

Universal Mounting Adapter



For use with HZXW01, HZXW45 or HZXS45 brackets sold separately



HZXW01



HZXS45



HZXW45

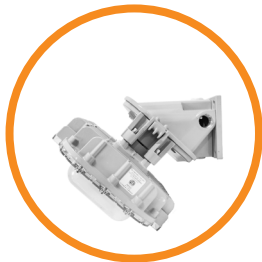
Wall Mount



45° Stanchion Mount



45° Wall Mount



Certifications & Ratings*

- 10 year warranty
- UL 844, UL 1598/A
- Class I, Div. 2, Groups A, B, C, D
- Class II, Div. 1, Groups E, F, G
- Class II, Div. 2 Groups F, G
- Class III, Div. 1 & 2
- Class I, Zone 2, Group IIC
- CSA C22.2 No. 250
- CSA C22.2 No. 137-M81
- IP66 / 67 / 69
- NEMA 4X
- Factory sealed
- L70 > 150,000 hours @ 65°C

*ETL listed

WARNING - INSTALLATION & SECONDARY RETENTION. Use of any Dialight products without proper installation (including secondary retention / netting) and periodic inspections could cause severe injury or death. Dialight recommends that all installations should use secondary retention / netting (appropriate to the installation environment) where applicable. It is the exclusive responsibility of the contractor, installer and/or end-user to: (a) determine the suitability of the product for its intended application; and, (b) ensure that the product is safely installed (with secondary retention / netting where appropriate) and in compliance with all applicable laws and regulations. To the extent permissible under applicable laws, Dialight disclaims all liability for personal injury and/or other damage resulting from any dislodgment or other dislocation of its products.

Mechanical Information:

| | |
|-------------------------|---|
| Fixture weight: | |
| UMA models: | 12 lb (5.5 kg) - Polycarbonate lens 15 lb (6.8 kg) - Tempered glass lens |
| Wall mount models: | 15 lb (6.8 kg) - Polycarbonate lens 18 lb (8.2 kg) - Tempered glass lens |
| 45° wall mount models: | 14 lb (6.4 kg) - Polycarbonate lens 17 lb (7.7 kg) - Tempered glass lens |
| 45° stanchion mount: | 15 lb (6.8 kg) - Polycarbonate lens 18 lb (8.2 kg) - Tempered glass lens |
| Shipping weight: | Add 2 lb (0.91 kg) to weights above |
| Cabling: | 14" leads 1.02 mm 18 AWG |
| Mounting: | Secondary retention standard |
| Impact rating: | IK10 - Polycarbonate lens IK07 - Tempered glass lens |

Electrical Specifications:

| | |
|-------------------------------|--|
| Operating voltage: | 100-277 VAC 50/60Hz, 120-250 VDC |
| Operating temperature: | -40°F to +149°F (-40°C to +65°C) |
| EMC: | FCC Title 47, Subpart B, Section 15, Class A device CISPR-15 RF Immunity 20V/m 80MHz-1GHz. |
| Transient protection: | 6 kV, 2 Ohm line-line and line-ground |
| Harmonics: | IEC 61000-3-2, Class C |
| THD: | < 20% |
| Power factor: | > 0.9 |

Construction:

| | |
|-----------------|---|
| Housing: | Copper-free aluminum |
| Finish: | Superior dual coat finish - Sealed polyester topcoat |
| Lens: | Hard-coated polycarbonate Tempered glass |

Photometric Information:

| | |
|----------------|---|
| CRI: | 80 |
| CCT: | 5000K (cool white) 4000K (neutral white) |
| Optics: | 360° 180° forward throw for 45° mounting Wide for 0° mounting |

All values typical unless otherwise stated (tolerance +/- 10%)

Temperature Ratings

| Ambient Temperature Range T4A | Ambient Temperature Range T5 |
|----------------------------------|----------------------------------|
| -40°F to +149°F (-40°C to +65°C) | -40°F to +113°F (-40°C to +45°C) |

SafeSite® LED Area Light

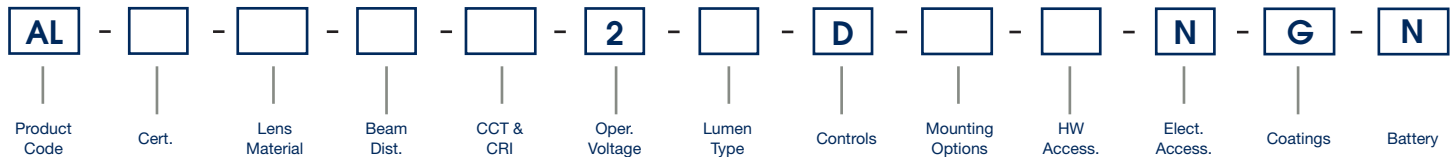
100-277 VAC, 120-250 VDC



| Project Information | | |
|---------------------|--|-------|
| Part Number: | | |
| Project: | | |
| Fixture Type: | | Date: |

| Specifications |
|----------------|
| |
| |
| |

Ordering Information



Product Code

AL Area Light

Certification

D UL 844 Class I Div. 2, Class I, Zone 2, Group IIC, CSA C22.2 No. 137- M81

F UL 844 Class II Div. 1, 2 Class I Div. 2, Class III, Div. 1, 2 CSA C22.2 No. 137- M81

Lens Material

5 Polycarbonate - Diffused

7 Tempered Glass

Beam Distribution

A 180°

B 360°

W Wide

CCT & CRI

C Cool White 5000K - 80 CRI

N Neutral White 4000K - 80 CRI

Operating Voltage

2 100-277 VAC, 120-250 VDC

Lumen Type

3 3,001 - 4,000 Lumens

4 4,001 - 5,000 Lumens

6 5,001 - 6,000 Lumens

7 6,001 - 7,000 Lumens

9 8,001 - 9,000 Lumens

Controls

D Dimming (0-10V)

Mounting Options

 Retro-fit Adapter

 Universal Mounting Adapter (UMA)

A Appleton Mercmaster III

B Swivel Bracket, Locking 0°- 90° 316 Stainless Steel

C Crouse-Hinds - Champ

G GE Filtr-Gard

H Thomas & Betts Hazlux

K Killark Certilite & Certilite V

M Appleton Mercmaster II

N 3/4" NPT

S 45° Stanchion Mount

U UMA - Mounting Hub

V 0° Wall Mount

W 45° Wall Mount

Hardware Accessories

N For Mounting Options - A, C, G, H, K, M, S, U, V, W, Y (individual wire leads are terminated in adapter housing)

W 10 ft (3 meter) Power Cable for Mounting Options - B, N

Electrical Accessories

N No Option

Coatings

G Gray (RAL 7040)

Battery

N No Option

Notes

1) When ordering Beam Distribution W - Wide: Lumen Type = 7.

2) When ordering Mounting Options "UMA" or "Retro-fit": Hardware Accessories = N.

3) When ordering Mounting Option U - UMA Mounting Hub HZXW01, HZXW45, HZXS45 or HZXC34 is required. See page 37 for details.

4) For lumen output see page 10.

DISCLAIMER. All product information provided is, to the best of Dialight's knowledge, accurate as of the date of publication. When ordering, refer to www.dialight.com for current versions of: (a) relevant product documentation (including the relevant product data sheets); (b) Dialight terms and conditions of sale; and, (c) the relevant product warranty. To the extent that any contract is deemed formed between Dialight and the purchaser of Dialight products and/or an end-user, versions of documents available at www.dialight.com as at the date of sale shall be the versions incorporated therein. In the event of any discrepancy between this document or information provided at www.dialight.com, the latter shall prevail.

Ordering Information

SafeSite® LED Area Light - 100-277 VAC,
120-250 VDC



| 100-277 VAC, 120-250 VDC Model | | | | | | | | | |
|--------------------------------|--------|---------|------|-----|-----|------------------------|-------------------|-----------------|-------------------------|
| Part Number | Lumens | Wattage | lm/W | CCT | CRI | Lens | Beam Distribution | Controls Option | Mounting |
| ALD-7BC2-9DNW-NGN | 9,000 | 66 | 136 | CW | 80 | Tempered Glass | 360° | Dimming | 3/4" Conduit |
| ALD-5BC2-9DNW-NGN | 8,300 | 66 | 126 | CW | 80 | Polycarbonate Diffused | 360° | Dimming | 3/4" Conduit |
| ALD-7BC2-7DNW-NGN | 7,300 | 52 | 140 | CW | 80 | Tempered Glass | 360° | Dimming | 3/4" Conduit |
| ALF-7BC2-7DNW-NGN | 7,300 | 52 | 140 | CW | 80 | Tempered Glass | 360° | Dimming | 3/4" Conduit |
| ALD-7BC2-7DBW-NGN | 7,300 | 52 | 140 | CW | 80 | Tempered Glass | 360° | Dimming | Stainless Steel Bracket |
| ALF-5BC2-7DNW-NGN | 6,700 | 52 | 129 | CW | 80 | Polycarbonate Diffused | 360° | Dimming | 3/4" Conduit |
| ALD-5BC2-7DNW-NGN | 6,700 | 52 | 129 | CW | 80 | Polycarbonate Diffused | 360° | Dimming | 3/4" Conduit |
| ALD-7BC2-6DNW-NGN | 5,700 | 40 | 143 | CW | 80 | Tempered Glass | 360° | Dimming | 3/4" Conduit |
| ALF-5BC2-6DNW-NGN | 5,300 | 40 | 133 | CW | 80 | Polycarbonate Diffused | 360° | Dimming | 3/4" Conduit |
| ALD-5BC2-6DNW-NGN | 5,300 | 40 | 133 | CW | 80 | Polycarbonate Diffused | Wide | Dimming | 3/4" Conduit |
| ALD-5AC2-6DNW-NGN | 5,100 | 40 | 128 | CW | 80 | Polycarbonate Diffused | 180° | Dimming | 3/4" Conduit |
| ALD-7BC2-4DNW-NGN | 4,200 | 30 | 140 | CW | 80 | Tempered Glass | 360° | Dimming | 3/4" Conduit |
| ALF-5BC2-4DNW-NGN | 3,900 | 30 | 130 | CW | 80 | Polycarbonate Diffused | 360° | Dimming | 3/4" Conduit |
| ALD-5BC2-4DNW-NGN | 3,900 | 30 | 130 | CW | 80 | Polycarbonate Diffused | 360° | Dimming | 3/4" Conduit |

| 100-277 VAC, 120-250 VDC Model with Mounting Adapters | | | | | | | | | |
|---|--------|---------|------|-----|-----|------------------------|-------------------|-----------------|----------------------------|
| Part Number | Lumens | Wattage | lm/W | CCT | CRI | Lens | Beam Distribution | Controls Option | Mounting |
| ALD-7BC2-9DUN-NGN | 9,000 | 66 | 136 | CW | 80 | Tempered Glass | 360° | Dimming | Universal Mounting Adapter |
| ALD-5BC2-9DUN-NGN | 8,300 | 66 | 126 | CW | 80 | Polycarbonate Diffused | 360° | Dimming | Universal Mounting Adapter |
| ALD-7BC2-7DSN-NGN | 7,300 | 52 | 140 | CW | 80 | Tempered Glass | 360° | Dimming | Stanchion 45° |
| ALD-7BC2-7DVN-NGN | 7,300 | 52 | 140 | CW | 80 | Tempered Glass | 360° | Dimming | Wall Mount 0° |
| ALD-7BC2-7DWN-NGN | 7,300 | 52 | 140 | CW | 80 | Tempered Glass | 360° | Dimming | Wall Mount 45° |
| ALF-5BC2-7DSN-NGN | 6,700 | 52 | 129 | CW | 80 | Polycarbonate Diffused | 360° | Dimming | Stanchion 45° |
| ALF-5BC2-7DWN-NGN | 6,700 | 52 | 129 | CW | 80 | Polycarbonate Diffused | 360° | Dimming | Wall Mount 45° |
| ALD-7BC2-6DSN-NGN | 5,700 | 40 | 143 | CW | 80 | Tempered Glass | 360° | Dimming | Stanchion 45° |
| ALD-7BC2-6DUN-NGN | 5,700 | 40 | 143 | CW | 80 | Tempered Glass | 360° | Dimming | Universal Mounting Adapter |
| ALD-7BC2-6DWN-NGN | 5,700 | 40 | 143 | CW | 80 | Tempered Glass | 360° | Dimming | Wall Mount 45° |
| ALD-7AC2-6DSN-NGN | 5,500 | 40 | 138 | CW | 80 | Tempered Glass | 180° | Dimming | Stanchion 45° |
| ALD-7AC2-6DVN-NGN | 5,500 | 40 | 138 | CW | 80 | Tempered Glass | 180° | Dimming | Wall Mount 0° |
| ALD-5BC2-6DSN-NGN | 5,300 | 40 | 133 | CW | 80 | Polycarbonate Diffused | 360° | Dimming | Stanchion 45° |
| ALD-5BC2-6DUN-NGN | 5,300 | 40 | 133 | CW | 80 | Polycarbonate Diffused | 360° | Dimming | Universal Mounting Adapter |
| ALD-5BC2-6DVN-NGN | 5,300 | 40 | 133 | CW | 80 | Polycarbonate Diffused | 360° | Dimming | Wall Mount 0° |
| ALD-7BC2-4DVN-NGN | 4,200 | 30 | 140 | CW | 80 | Tempered Glass | 360° | Dimming | Wall Mount 0° |
| ALD-7BC2-4DWN-NGN | 4,200 | 30 | 140 | CW | 80 | Tempered Glass | 360° | Dimming | Wall Mount 45° |
| ALD-7AC2-4DSN-NGN | 4,100 | 30 | 137 | CW | 80 | Tempered Glass | 180° | Dimming | Stanchion 45° |
| ALD-7AC2-4DVN-NGN | 4,100 | 30 | 137 | CW | 80 | Tempered Glass | 180° | Dimming | Wall Mount 0° |

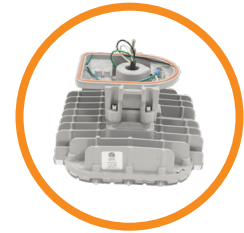
All values typical unless otherwise stated (tolerance +/- 10%).

See ordering chart for additional options.

DISCLAIMER. All product information provided is, to the best of Dialight's knowledge, accurate as of the date of publication. When ordering, refer to www.dialight.com for current versions of: (a) relevant product documentation (including the relevant product data sheets); (b) Dialight terms and conditions of sale; and, (c) the relevant product warranty. To the extent that any contract is deemed formed between Dialight and the purchaser of Dialight products and/or an end-user, versions of documents available at www.dialight.com as at the date of sale shall be the versions incorporated therein. In the event of any discrepancy between this document or information provided at www.dialight.com, the latter shall prevail.

Ordering Information

SafeSite® LED Area Light - 100-277 VAC, 120-250 VDC with Retro-fit Adapters



HZXW01



HZXS45



HZXW45

100-277 VAC, 120-250 VDC Model with Retro-fit Adapters

| Part Number | Lumens | Wattage | lm/W | CCT | CRI | Lens | Beam Distribution | Controls Option | Mounting |
|-------------------|--------|---------|------|-----|-----|------------------------|-------------------|-----------------|------------------------|
| ALD-7BC2-9DCN-NGN | 9,000 | 66 | 136 | CW | 80 | Tempered Glass | 360° | Dimming | Crouse-Hinds Retro-fit |
| ALD-5BC2-9DCN-NGN | 8,300 | 66 | 126 | CW | 80 | Polycarbonate Diffused | 360° | Dimming | Crouse-Hinds Retro-fit |
| ALD-7BC2-7DCN-NGN | 7,300 | 52 | 140 | CW | 80 | Tempered Glass | 360° | Dimming | Crouse-Hinds Retro-fit |
| ALD-5WC2-7DCN-NGN | 6,700 | 64 | 105 | CW | 80 | Polycarbonate Diffused | Wide | Dimming | Crouse-Hinds Retro-fit |
| ALF-5BC2-7DCN-NGN | 6,700 | 52 | 129 | CW | 80 | Polycarbonate Diffused | 360° | Dimming | Crouse-Hinds Retro-fit |
| ALD-5BC2-7DGN-NGN | 6,700 | 52 | 129 | CW | 80 | Polycarbonate Diffused | 360° | Dimming | GE H2 Retro-fit |
| ALD-7BC2-6DCN-NGN | 5,700 | 40 | 143 | CW | 80 | Tempered Glass | 360° | Dimming | Crouse-Hinds Retro-fit |
| ALD-7BC2-6DGN-NGN | 5,700 | 40 | 143 | CW | 80 | Tempered Glass | 360° | Dimming | GE H2 Retro-fit |
| ALD-5BC2-6DCN-NGN | 5,300 | 40 | 133 | CW | 80 | Polycarbonate Diffused | 360° | Dimming | Crouse-Hinds Retro-fit |

All values typical unless otherwise stated (tolerance +/- 10%).
See ordering chart for additional options.

DISCLAIMER. All product information provided is, to the best of Dialight's knowledge, accurate as of the date of publication. When ordering, refer to www.dialight.com for current versions of: (a) relevant product documentation (including the relevant product data sheets); (b) Dialight terms and conditions of sale; and, (c) the relevant product warranty. To the extent that any contract is deemed formed between Dialight and the purchaser of Dialight products and/or an end-user, versions of documents available at www.dialight.com as at the date of sale shall be the versions incorporated therein. In the event of any discrepancy between this document or information provided at www.dialight.com, the latter shall prevail.

SafeSite® LED Area Light

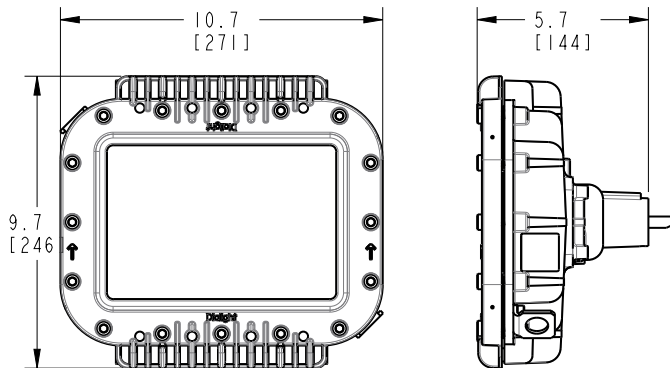
Class I, Div. 1



Certifications & Ratings*

- 10 year warranty
- Class I, Div. 1, Groups C, D
- Class II, Div. 1, Groups E, F, G
- Class I, Zone 1 Group II B+H2
- Zone 21, 22
- CSA C22.2 No. 137-M81
- IP66 / 67 / 69
- NEMA 4X
- Factory sealed
- L70 > 150,000 hours @ 65°C

*ETL listed



Mechanical Information:

| | |
|-------------------------|-------------------------------------|
| Fixture weight: | 15 lb (6.8 kg) |
| Shipping weight: | Add 2 lb (0.91 kg) to weights above |
| Cabling: | 10' (3.5 m) 5 conductor SOOW |
| Impact rating: | IK07 - Tempered glass lens |
| Cabling: | 10' ST00W/SOOW 1.02mm 18 AWG |
| Mounting: | Secondary retention standard |

Electrical Specifications:

| | |
|--|--|
| Operating voltage: | 100-277 VAC 50/60Hz, 120-250 VDC |
| Total system power consumption: | See table |
| Operating temperature: | -40°F to +149°F (-40°C to +65°C) |
| EMC: | FCC Title 47, Subpart B, Section 15, Class A device CISPR-15 RF Immunity 20V/m 80MHz-1GHz. |
| Transient protection: | 6 kV, 2 Ohm line-line and line-ground |
| Harmonics: | IEC 61000-3-2, Class C |
| THD: | < 20% |
| Power factor: | > 0.9 |

Construction:

| | |
|-----------------|---|
| Housing: | Copper-free aluminum |
| Finish: | Superior dual coat finish - Sealed polyester topcoat |
| Lens: | Tempered glass |

Photometric Information:

| | |
|----------------|---|
| CRI: | 80 |
| CCT: | 5000K (cool white) 4000K (neutral white) |
| Optics: | 360° 180° forward throw for 45° mounting Wide for 0° mounting |

All values typical unless otherwise stated (tolerance +/- 10%)

Temperature Ratings

| Ambient Temperature Range T4A | Ambient Temperature Range T5 |
|----------------------------------|----------------------------------|
| -40°F to +149°F (-40°C to +65°C) | -40°F to +113°F (-40°C to +45°C) |

Dimensions in inches [mm]

WARNING - INSTALLATION & SECONDARY RETENTION. Use of any Dialight products without proper installation (including secondary retention / netting) and periodic inspections could cause severe injury or death. Dialight recommends that all installations should use secondary retention / netting (appropriate to the installation environment) where applicable. It is the exclusive responsibility of the contractor, installer and/or end-user to: (a) determine the suitability of the product for its intended application; and, (b) ensure that the product is safely installed (with secondary retention / netting where appropriate) and in compliance with all applicable laws and regulations. To the extent permissible under applicable laws, Dialight disclaims all liability for personal injury and/or other damage resulting from any dislodgment or other dislocation of its products.

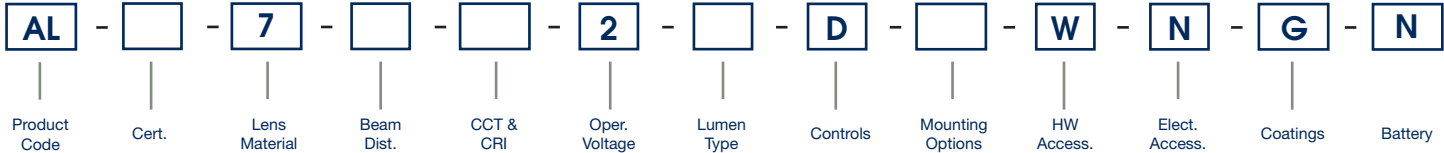
SafeSite® LED Area Light

Class I, Div. 1



| Project Information | | | Specifications | | |
|---------------------|--|-------|----------------|--|--|
| Part Number: | | | | | |
| Project: | | | | | |
| Fixture Type: | | Date: | | | |

Ordering Information



Product Code

AL Area Light

Certification

C UL 844 Class I Div. 1
CSA C22.2 No. 137
P UL 844 Class I Div. 1 Group B
(Hydrogen) CSA C22.2 No. 137

Lens Material

7 Tempered Glass

Beam Distribution

A 180°
B 360°
W Wide

CCT & CRI

C Cool White 5000K - 80 CRI
N Neutral White 4000K - 80 CRI

Operating Voltage

2 100-277 VAC, 120-250 VDC

Lumen Type

3 3,001 - 4,000 Lumens
4 4,001 - 5,000 Lumens
6 5,001 - 6,000 Lumens
7 6,001 - 7,000 Lumens
9 8,001 - 9,000 Lumens

Controls

D Dimming (0-10V)

Mounting Options

B Swivel Bracket, Locking 0°- 90°
316 Stainless Steel
N 3/4" NPT

Hardware Accessories

W 10 ft (3 meter) Power Cable

Electrical Accessories

N No Option

Coatings

G Gray (RAL 7040)

Battery

N No Option

Notes

- 1) When ordering Beam Distribution W - Wide: Lumen Type = 7.
- 2) For lumen output see page 26-28.

DISCLAIMER. All product information provided is, to the best of Dialight’s knowledge, accurate as of the date of publication. When ordering, refer to www.dialight.com for current versions of: (a) relevant product documentation (including the relevant product data sheets); (b) Dialight terms and conditions of sale; and, (c) the relevant product warranty. To the extent that any contract is deemed formed between Dialight and the purchaser of Dialight products and/or an end-user, versions of documents available at www.dialight.com as at the date of sale shall be the versions incorporated therein. In the event of any discrepancy between this document or information provided at www.dialight.com, the latter shall prevail.

Ordering Information

SafeSite® LED Area Light - Class I, Div. 1



| Class I, Div. 1 Model | | | | | | | | | | |
|-----------------------|--------|---------|------|---------------|-----|-----|----------------|-------------------|-----------------|-------------------------|
| Part Number | Lumens | Wattage | lm/W | Certification | CCT | CRI | Lens | Beam Distribution | Controls Option | Mounting |
| ALC-7BC2-7DBW-NGN | 7,000 | 52 | 135 | CID1 | CW | 80 | Tempered Glass | 360° | Dimming | Stainless Steel Bracket |
| ALC-7BC2-7DNW-NGN | 7,000 | 52 | 135 | CID1 | CW | 80 | Tempered Glass | 360° | Dimming | 3/4" Conduit |
| ALC-7BC2-6DNW-NGN | 5,400 | 40 | 135 | CID1 | CW | 80 | Tempered Glass | 360° | Dimming | 3/4" Conduit |
| ALP-7BC2-6DNW-NGN | 5,400 | 40 | 135 | CID1 Group B | CW | 80 | Tempered Glass | 360° | Dimming | 3/4" Conduit |
| ALC-7BC2-6DNW-NYN | 5,400 | 40 | 135 | CID1 | CW | 80 | Tempered Glass | 360° | Dimming | 3/4" Conduit |
| ALC-7AC2-6DNW-NGN | 5,300 | 40 | 133 | CID1 | CW | 80 | Tempered Glass | 180° | Dimming | 3/4" Conduit |
| ALC-7BC2-4DNW-NGN | 4,000 | 30 | 133 | CID1 | CW | 80 | Tempered Glass | 360° | Dimming | 3/4" Conduit |
| ALC-7BC2-3DNW-NGN | 2,900 | 24 | 121 | CID1 | CW | 80 | Tempered Glass | 360° | Dimming | 3/4" Conduit |

All values typical unless otherwise stated (tolerance +/- 10%).
See ordering chart for additional options.

DISCLAIMER. All product information provided is, to the best of Dialight's knowledge, accurate as of the date of publication. When ordering, refer to www.dialight.com for current versions of: (a) relevant product documentation (including the relevant product data sheets); (b) Dialight terms and conditions of sale; and, (c) the relevant product warranty. To the extent that any contract is deemed formed between Dialight and the purchaser of Dialight products and/or an end-user, versions of documents available at www.dialight.com as at the date of sale shall be the versions incorporated therein. In the event of any discrepancy between this document or information provided at www.dialight.com, the latter shall prevail.

SafeSite® LED Area Light

347/480 VAC

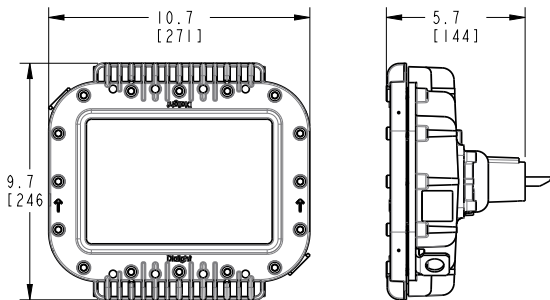


Certifications & Ratings*

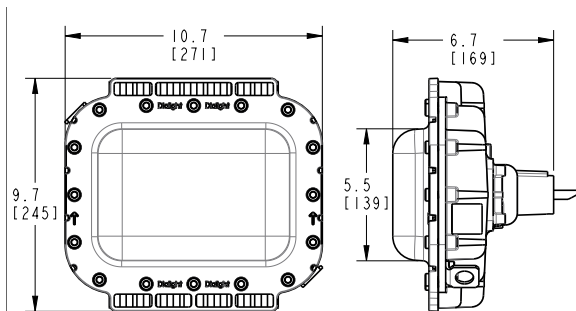
- 5 year warranty
- UL 1598/A, UL 844
- Class I, Div. 1, Groups B, C, D
- Class I, Div. 2, Groups A, B, C, D
- Class II, Div. 1, Groups E, F, G
- Class III, Div. 1 & 2
- CSA C22.2 No. 137
- CSA C22.2 No. 250
- IP66 / 67
- NEMA 4X
- L70 > 100,000 hours @ 25°C

*ETL listed

Tempered Glass Lens



Polycarbonate Lens



Dimensions in inches [mm]

Mechanical Information:

- Fixture weight:**
 10 lb (4.5 kg) - Polycarbonate lens
 12 lb (5.5 kg) - Tempered Glass lens
- Wall mount models:**
 15 lb (6.8 kg) - Polycarbonate lens
 18 lb (8.2 kg) - Tempered glass lens
- 45° wall mount models:**
 14 lb (6.4 kg) - Polycarbonate lens
 17 lb (7.7 kg) - Tempered glass lens
- 45° stanchion mount:**
 15 lb (6.8 kg) - Polycarbonate lens
 18 lb (8.2 kg) - Tempered glass lens
- Class I, Div. 1 model:**
 15 lb (6.8 kg)

Shipping weight: Add 2 lb (0.91 kg) to weights above

Impact rating:
 IK10 - Polycarbonate lens
 IK07 - Tempered glass lens

Cabling: 10' STOOW/SOOW 1.02mm 18 AWG

Mounting: Secondary retention standard

Electrical Specifications:

Operating voltage: 347/480 VAC

Total system power consumption: See table

Operating temperature: -40°F to +149°F (-40°C to +65°C)

EMC:
 FCC Title 47, Subpart B, Section 15,
 Class A device
 RF Immunity 20V/m 80MHz-1GHz.

Transient protection: 6 kV, 2 Ohm line-line and line-ground

Harmonics: IEC 61000-3-2, Class C

THD: < 20%

Power factor: > 0.9

Construction:

Housing: Copper-free aluminum

Finish:
 Superior dual coat finish
 - Sealed polyester topcoat

Lens: Tempered glass

Photometric Information:

CRI: 75

CCT: 5000K (cool white)

Optics:
 360°
 180° forward throw for 45° mounting

All values typical unless otherwise stated (tolerance +/- 10%)

Temperature Ratings

| Ambient Temperature Range T4A | Ambient Temperature Range T5 |
|----------------------------------|----------------------------------|
| -40°F to +149°F (-40°C to +65°C) | -40°F to +113°F (-40°C to +45°C) |

WARNING - INSTALLATION & SECONDARY RETENTION. Use of any Dialight products without proper installation (including secondary retention / netting) and periodic inspections could cause severe injury or death. Dialight recommends that all installations should use secondary retention / netting (appropriate to the installation environment) where applicable. It is the exclusive responsibility of the contractor, installer and/or end-user to: (a) determine the suitability of the product for its intended application; and, (b) ensure that the product is safely installed (with secondary retention / netting where appropriate) and in compliance with all applicable laws and regulations. To the extent permissible under applicable laws, Dialight disclaims all liability for personal injury and/or other damage resulting from any dislodgment or other dislocation of its products.

SafeSite® LED Area Light

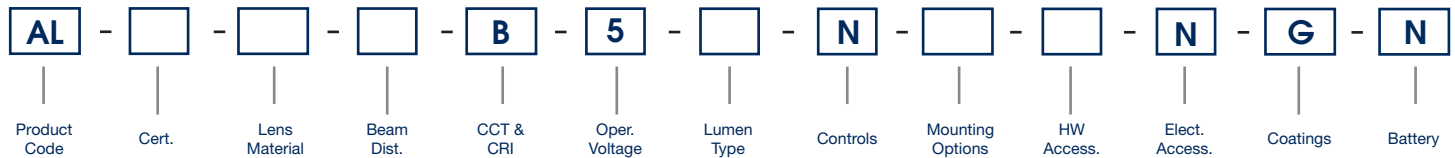
347/480 VAC



| Project Information | |
|---------------------|-------|
| Part Number: | |
| Project: | |
| Fixture Type: | Date: |

| Specifications |
|----------------|
| |
| |
| |

Ordering Information



| Product Code | Beam Distribution | Mounting Options | Hardware Accessories |
|--|--|---|---|
| AL Area Light | A 180° B 360° | Retro-fit Adapter Universal Mounting Adapter (UMA) | N For Mounting Options - A, C, G, H, K, M, S, U, V, W, Y (individual wire leads are terminated in adapter housing) W 10 ft (3 meter) Power Cable for Mounting Options - B, N |
| Certification | CCT & CRI | Operating Voltage | Electrical Accessories |
| C Class I Div. 1 Groups C, D Class II Div. 1 Groups E, F, G CSA 22.2 No. 137 D UL 844 Class I Div. 2 CSA 22.2 No. 137 - M81 F UL 844 Class II Div. 1, 2 Class I Div. 2 CSA 22.2 No. 137 - M81 P Class I Div. 1 Groups B, C, D Class II Div. 1 Groups E, F, G CSA 22.2 No. 137 | B Cool White 5000K - 70 CRI | 5 347/480 VAC | N No Option |
| Lens Material | Lumen Type | Controls | Coatings |
| 5 Polycarbonate - Diffused 7 Tempered Glass | 4 3.1 - 4K 5 4.1 - 5K 6 5.1 - 6K 7 6.1 - 7K | N No Options | G Gray (RAL 7040) |
| Notes | Coatings | Battery | |
| 1) When using "UMA" or "Retro-fit" mounting options, Hardware Accessories = N. 2) When orderings Certification option C or P: - Lens Material = 7 - Glass - Clear - Mounting Option = N - 3/4" NPT or B - Swivel Bracket, Locking 0°- 90° 316 Stainless Steel - Hardware Accessories = W 10 ft (3 meter) Power Cable for | | N No Option | |

Notes

1) When using "UMA" or "Retro-fit" mounting options, Hardware Accessories = N.

2) When orderings Certification option C or P:
 - Lens Material = 7 - Glass - Clear
 - Mounting Option = N - 3/4" NPT or B - Swivel Bracket, Locking 0°- 90° 316 Stainless Steel
 - Hardware Accessories = W 10 ft (3 meter) Power Cable for

DISCLAIMER. All product information provided is, to the best of Dialight's knowledge, accurate as of the date of publication. When ordering, refer to www.dialight.com for current versions of: (a) relevant product documentation (including the relevant product data sheets); (b) Dialight terms and conditions of sale; and, (c) the relevant product warranty. To the extent that any contract is deemed formed between Dialight and the purchaser of Dialight products and/or an end-user, versions of documents available at www.dialight.com as at the date of sale shall be the versions incorporated therein. In the event of any discrepancy between this document or information provided at www.dialight.com, the latter shall prevail.

Ordering Information

SafeSite® LED Area Light - 347/480 VAC



347/480 VAC Model

| Part Number | Lumens | Wattage | lm/W | CCT | CRI | Lens | Beam Distribution | Controls Option | Mounting |
|-------------------|--------|---------|------|-----|-----|------------------------|-------------------|-----------------|------------------------|
| ALD-7BB5-7NNW-NGN | 7,200 | 68 | 106 | CW | 75 | Tempered Glass | 360° | No Dimming | 3/4" Conduit |
| ALD-7BB5-6NNW-NGN | 6,000 | 58 | 103 | CW | 75 | Tempered Glass | 360° | No Dimming | 3/4" Conduit |
| ALD-5BB5-6NCN-NGN | 6,000 | 58 | 103 | CW | 75 | Polycarbonate Diffused | 360° | No Dimming | Crouse-Hinds Retro-fit |
| ALD-5BB5-6NNW-NGN | 5,700 | 58 | 98 | CW | 75 | Polycarbonate Diffused | 360° | No Dimming | 3/4" Conduit |
| ALD-7BB5-5NNW-NGN | 5,000 | 47 | 106 | CW | 75 | Tempered Glass | 360° | No Dimming | 3/4" Conduit |

All values typical unless otherwise stated (tolerance +/- 10%).
See ordering chart for additional options.

SafeSite® LED Area Light

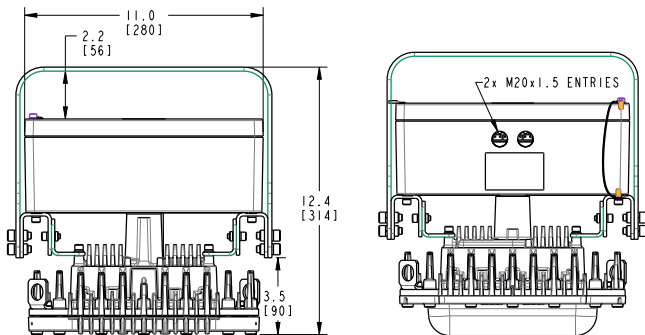
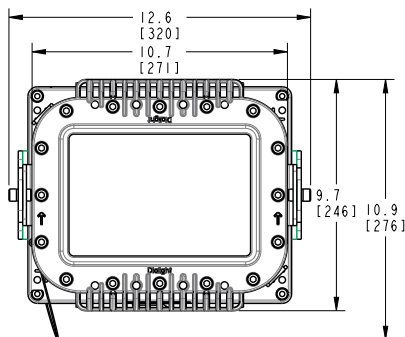
120-277 VAC Battery Backup



Certifications & Ratings*

- 5 year warranty
- UL 844, UL 1598/A
- Class I, Div. 2, Groups A, B, C, D
- Class III, Div. 1 & 2
- CSA C22.2 No. 137-M81
- IP66 / 67
- NEMA 4X
- Maintained or sustained modes selectable via jumper

*ETL listed



Mechanical Information:

| | |
|-------------------------|---|
| Fixture weight: | 35 lb (15.9 kg) - Polycarbonate lens 37 lb (16.8 kg) - Tempered glass lens |
| Shipping weight: | Add 2 lb (0.91 kg) to weights above |
| Impact rating: | IK10 - Polycarbonate lens IK07 - Tempered glass lens |
| Wiring entries: | 2xM20 |
| Mounting: | Secondary retention standard |

Electrical Specifications:

| | |
|--|--|
| Operating voltage: | 120-277 VAC Battery Backup |
| Total system power consumption: | See table |
| Operating temperature: | -40°F to +149°F (-40°C to +65°C) |
| EMC: | FCC Title 47, Subpart B, Section 15, Class A device RF Immunity 20V/m 80MHz-1GHz. |
| Transient protection: | 6 kV, 2 Ohm line-line and line-ground |
| Harmonics: | IEC 61000-3-2, Class C |
| THD: | < 20% |
| Power factor: | > 0.9 |

Construction:

| | |
|-----------------|---|
| Housing: | Copper-free aluminum |
| Finish: | Superior dual coat finish - Sealed polyester topcoat |
| Lens: | Hard-coated polycarbonate Tempered glass |

Photometric Information:

| | |
|----------------|---|
| CRI: | 75 |
| CCT: | 5000K (cool white) |
| Optics: | 360° 180° forward throw for 45° mounting |

All values typical unless otherwise stated (tolerance +/- 10%)

Dimensions in inches [mm]

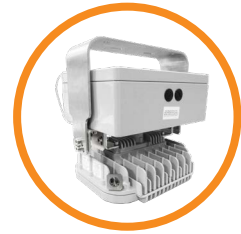
WARNING - INSTALLATION & SECONDARY RETENTION. Use of any Dialight products without proper installation (including secondary retention / netting) and periodic inspections could cause severe injury or death. Dialight recommends that all installations should use secondary retention / netting (appropriate to the installation environment) where applicable. It is the exclusive responsibility of the contractor, installer and/or end-user to: (a) determine the suitability of the product for its intended application; and, (b) ensure that the product is safely installed (with secondary retention / netting where appropriate) and in compliance with all applicable laws and regulations. To the extent permissible under applicable laws, Dialight disclaims all liability for personal injury and/or other damage resulting from any dislodgment or other dislocation of its products.

Temperature Ratings

| Ambient Temperature Range T4A | Ambient Temperature Range T5 |
|----------------------------------|----------------------------------|
| -40°F to +149°F (-40°C to +65°C) | -40°F to +113°F (-40°C to +45°C) |

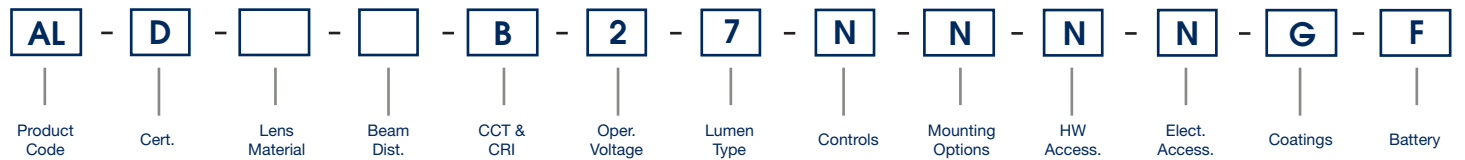
SafeSite® LED Area Light

120-277 VAC Battery Backup



| Project Information | | | Specifications | | |
|---------------------|--|-------|----------------|--|--|
| Part Number: | | | | | |
| Project: | | | | | |
| Fixture Type: | | Date: | | | |

Ordering Information



Product Code
AL Area Light

Certification
D UL 844 Class I Div. 2
CSA 22.2 No. 137 - M81

Lens Material
5 Polycarbonate - Diffused
7 Tempered Glass

Beam Distribution
A 180°
B 360°

CCT & CRI
B Cool White 5000K - 70 CRI

Operating Voltage
2 100 - 277 VAC - Battery Backup

Lumen Type
7 6.1 - 7K

Controls
N No Options

Mounting Options
N 316 Stainless Steel Bracket

Hardware Accessories
N Factory Installed Junction Box

Electrical Accessories
N No Option

Coatings
G Gray (RAL 7040)

Battery
F 180 min.

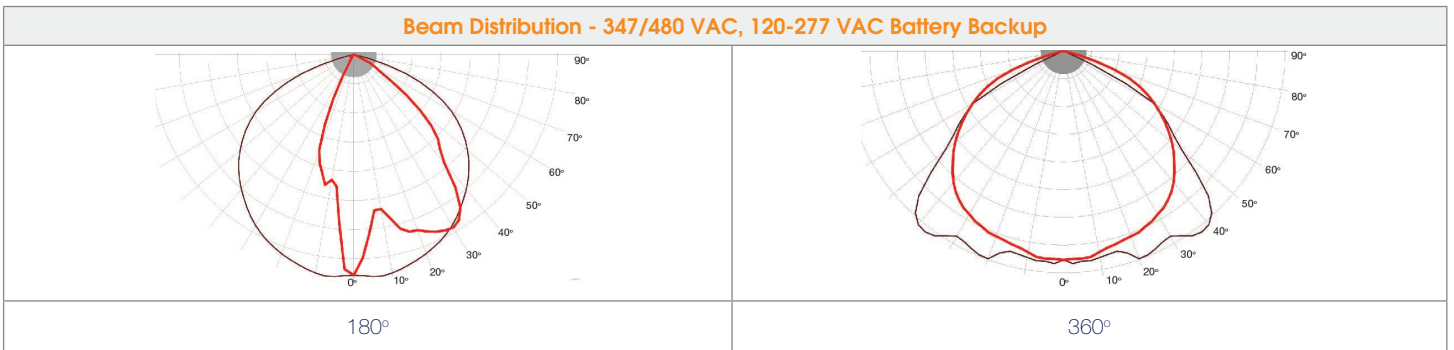
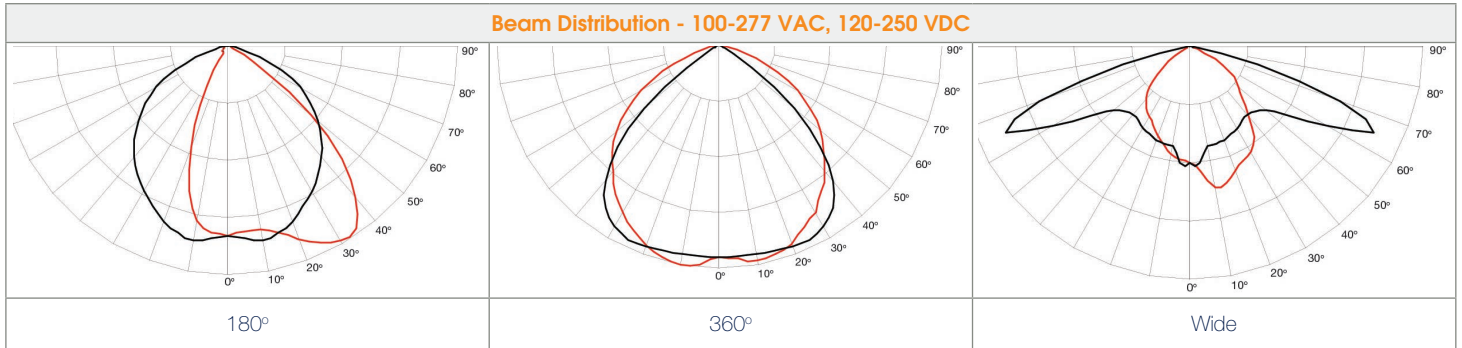
| Battery Backup Model | | | | | | | | |
|----------------------|--------|---------|------|-----|------|----------------|-------------------|-------------------------|
| Part Number | Lumens | Wattage | lm/W | CCT | Lens | Voltage | Beam Distribution | Mounting |
| ALD-5BB2-7NNN-NGF | 7,500 | 85 | 88 | CW | 75 | Polycarbonate | 360° | Stainless Steel Bracket |
| ALD-7BB2-7NNN-NGF | 7,500 | 85 | 88 | CW | 75 | Tempered Glass | 360° | Stainless Steel Bracket |
| ALD-5AB2-7NNN-NGF | 7,200 | 85 | 85 | CW | 75 | Polycarbonate | 180° | Stainless Steel Bracket |
| ALD-7AB2-7NNN-NGF | 7,200 | 85 | 85 | CW | 75 | Tempered Glass | 180° | Stainless Steel Bracket |

All values typical unless otherwise stated (tolerance +/- 10%).

DISCLAIMER. All product information provided is, to the best of Dialight's knowledge, accurate as of the date of publication. When ordering, refer to www.dialight.com for current versions of: (a) relevant product documentation (including the relevant product data sheets); (b) Dialight terms and conditions of sale; and, (c) the relevant product warranty. To the extent that any contract is deemed formed between Dialight and the purchaser of Dialight products and/or an end-user, versions of documents available at www.dialight.com as at the date of sale shall be the versions incorporated therein. In the event of any discrepancy between this document or information provided at www.dialight.com, the latter shall prevail.

SafeSite® LED Area Light

Beam Distributions



DISCLAIMER. All product information provided is, to the best of Dialight's knowledge, accurate as of the date of publication. When ordering, refer to www.dialight.com for current versions of: (a) relevant product documentation (including the relevant product data sheets); (b) Dialight terms and conditions of sale; and, (c) the relevant product warranty. To the extent that any contract is deemed formed between Dialight and the purchaser of Dialight products and/or an end-user, versions of documents available at www.dialight.com as at the date of sale shall be the versions incorporated therein. In the event of any discrepancy between this document or information provided at www.dialight.com, the latter shall prevail.

SafeSite® LED Area Light

Lumen Tables

100-277 VAC, 120-250 VDC

| Output Family | Beam Distribution | Lens | Wattage | Lumens 5000 CCT | 5000 CCT lm/W | Lumens 4000 CCT | 4000 CCT lm/W | Lumens 2700 CCT | 2700 CCT lm/W |
|---------------|-------------------|----------------------|---------|-----------------|---------------|-----------------|---------------|-----------------|---------------|
| 9,000 | 360° | Tempered Glass | 66 | 9000 | 136 | 8800 | 134 | 8200 | 124 |
| | | Class I, Div 1 Glass | | 8600 | 131 | 8400 | 128 | 7900 | 120 |
| | | Polycarbonate | | 8300 | 127 | 8100 | 123 | 7600 | 115 |
| | 180° | Tempered Glass | | 8800 | 134 | 8600 | 131 | 8000 | 121 |
| | | Class I, Div 1 Glass | | 8400 | 128 | 8200 | 125 | 7700 | 117 |
| | | Polycarbonate | | 8100 | 124 | 7900 | 120 | 7400 | 112 |
| 7,300 | 360° | Tempered Glass | 52 | 7300 | 140 | 7100 | 138 | 6700 | 129 |
| | | Class I, Div 1 Glass | | 7000 | 135 | 6800 | 132 | 6400 | 123 |
| | | Polycarbonate | | 6700 | 131 | 6500 | 126 | 6100 | 117 |
| | 180° | Tempered Glass | | 7100 | 138 | 6900 | 134 | 6500 | 125 |
| | | Class I, Div 1 Glass | | 6800 | 132 | 6600 | 128 | 6200 | 119 |
| | | Polycarbonate | | 6600 | 128 | 6400 | 124 | 6000 | 115 |
| | Wide | Tempered Glass | | 7300 | 114 | 7100 | 112 | 6700 | 105 |
| | | Class I, Div 1 Glass | | 7000 | 110 | 6800 | 107 | 6400 | 100 |
| | | Polycarbonate | | 6700 | 106 | 6500 | 103 | 6100 | 95 |
| 5,700 | 360° | Tempered Glass | 40 | 5700 | 143 | 5500 | 140 | 5200 | 130 |
| | | Class I, Div 1 Glass | | 5400 | 137 | 5200 | 132 | 4900 | 123 |
| | | Polycarbonate | | 5300 | 133 | 5100 | 130 | 4800 | 120 |
| | 180° | Tempered Glass | | 5500 | 140 | 5300 | 135 | 5000 | 125 |
| | | Class I, Div 1 Glass | | 5300 | 134 | 5100 | 130 | 4800 | 120 |
| | | Polycarbonate | | 5100 | 130 | 4900 | 125 | 4600 | 115 |
| 4,200 | 360° | Tempered Glass | 30 | 4200 | 140 | 4100 | 137 | 3800 | 127 |
| | | Class I, Div 1 Glass | | 4000 | 134 | 3900 | 131 | 3600 | 120 |
| | | Polycarbonate | | 3900 | 130 | 3800 | 127 | 3900 | 130 |
| | 180° | Tempered Glass | | 4100 | 137 | 4000 | 134 | 4100 | 137 |
| | | Class I, Div 1 Glass | | 3900 | 132 | 3800 | 127 | 3900 | 130 |
| | | Polycarbonate | | 3800 | 127 | 3700 | 124 | 3400 | 113 |
| 3,100 | 360° | Tempered Glass | 24 | 3100 | 129 | 3000 | 127 | 2800 | 117 |
| | | Class I, Div 1 Glass | | 2900 | 124 | 2900 | 121 | 2600 | 108 |
| | | Polycarbonate | | 2800 | 120 | 2700 | 114 | 2500 | 104 |
| | 180° | Tempered Glass | | 3000 | 127 | 2900 | 123 | 2700 | 113 |
| | | Class I, Div 1 Glass | | 2900 | 121 | 2800 | 118 | 2600 | 108 |
| | | Polycarbonate | | 2800 | 118 | 2700 | 114 | 2500 | 104 |

100-277 VAC Battery Backup

| Lumen Letter | Output Family | Beam Distribution Character | Beam Distribution | Lens Character | Lens Material | Wattage | Lumens 5000 CCT | Lumens 4000 CCT |
|--------------|---------------|-----------------------------|-------------------|----------------|---------------|---------|-----------------|-----------------|
| 7 | 7,500 | B | 360° | 7 | 1/4" AR Glass | 85 | 7500 | 7300 |
| | | | | 5 | Polycarbonate | | 7500 | 7300 |
| | | A | 180° | 7 | 1/4" AR Glass | | 7200 | 7000 |
| | | | | 5 | Polycarbonate | | 6900 | 6800 |

All values typical unless otherwise stated (tolerance +/- 10%).

For lighting layouts, please find IES files at www.dialight.com

DISCLAIMER. All product information provided is, to the best of Dialight's knowledge, accurate as of the date of publication. When ordering, refer to www.dialight.com for current versions of: (a) relevant product documentation (including the relevant product data sheets); (b) Dialight terms and conditions of sale; and, (c) the relevant product warranty. To the extent that any contract is deemed formed between Dialight and the purchaser of Dialight products and/or an end-user, versions of documents available at www.dialight.com as at the date of sale shall be the versions incorporated therein. In the event of any discrepancy between this document or information provided at www.dialight.com, the latter shall prevail.

SafeSite[®] LED Area Light

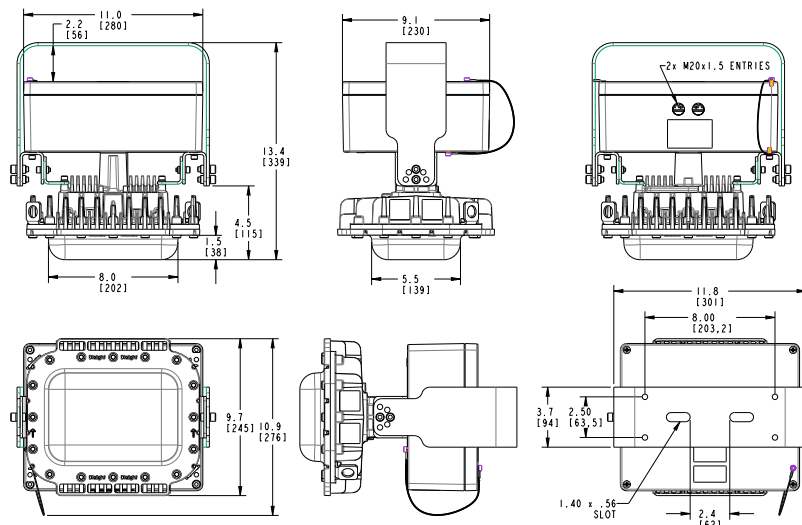
Lumen Tables & Dimensional Drawings

| 347/480 VAC | | | | | | | |
|---------------|-------------------|----------------------|---------|--------------------|------------------|--------------------|------------------|
| Output Family | Beam Distribution | Lens | Wattage | Lumens 5000 CCT | 5000 CCT lm/W | Lumens 4000 CCT | 4000 CCT lm/W |
| 7,250 | 360° | Tempered Glass | 68 | 7200 | 107 | 7100 | 104 |
| | | Class I, Div 1 Glass | | 6900 | 102 | 6800 | 100 |
| | | Polycarbonate | | 6900 | 102 | 6800 | 100 |
| | 180° | Tempered Glass | | 7200 | 107 | 7100 | 104 |
| | | Class I, Div 1 Glass | | 6900 | 102 | 6800 | 100 |
| | | Polycarbonate | | 6900 | 102 | 6800 | 100 |
| 6,000 | 360° | Tempered Glass | 58 | 6000 | 103 | 5800 | 101 |
| | | Class I, Div 1 Glass | | 5700 | 99 | 5600 | 97 |
| | | Polycarbonate | | 5700 | 99 | 5600 | 97 |
| | 180° | Tempered Glass | | 6000 | 103 | 5800 | 101 |
| | | Class I, Div 1 Glass | | 5700 | 99 | 5600 | 97 |
| | | Polycarbonate | | 5700 | 99 | 5600 | 97 |
| 5,000 | 360° | Tempered Glass | 47 | 5000 | 106 | 4900 | 104 |
| | | Class I, Div 1 Glass | | 4800 | 102 | 4700 | 100 |
| | | Polycarbonate | | 4800 | 102 | 4700 | 100 |
| | 180° | Tempered Glass | | 5000 | 106 | 4900 | 104 |
| | | Class I, Div 1 Glass | | 4800 | 106 | 4700 | 100 |
| | | Polycarbonate | | 4800 | 102 | 4700 | 100 |
| 4,100 | Wide | Polycarbonate | 55 | 4100 | 75 | 4000 | 73 |
| 4,000 | 360° | Tempered Glass | 38 | 4000 | 105 | 3900 | 103 |
| | | Class I, Div 1 Glass | | 3800 | 101 | 3700 | 99 |
| | | Polycarbonate | | 3800 | 101 | 3700 | 99 |
| | 180° | Tempered Glass | | 4000 | 105 | 3900 | 103 |
| | | Class I, Div 1 Glass | | 3800 | 101 | 3700 | 99 |
| | | Polycarbonate | | 3800 | 101 | 3700 | 99 |
| 2,200 | 360° | Tempered Glass | 21 | 2200 | 105 | 2200 | 105 |
| | | Class I, Div 1 Glass | | 2200 | 105 | 2200 | 105 |
| | | Polycarbonate | | 2200 | 105 | 2200 | 105 |
| | 180° | Tempered Glass | | 2200 | 105 | 2200 | 105 |
| | | Class I, Div 1 Glass | | 2200 | 105 | 2200 | 105 |
| | | Polycarbonate | | 2200 | 105 | 2200 | 105 |

All values typical unless otherwise stated (tolerance +/- 10%).

For lighting layouts, please find IES files at www.dialight.com

Battery Backup Model

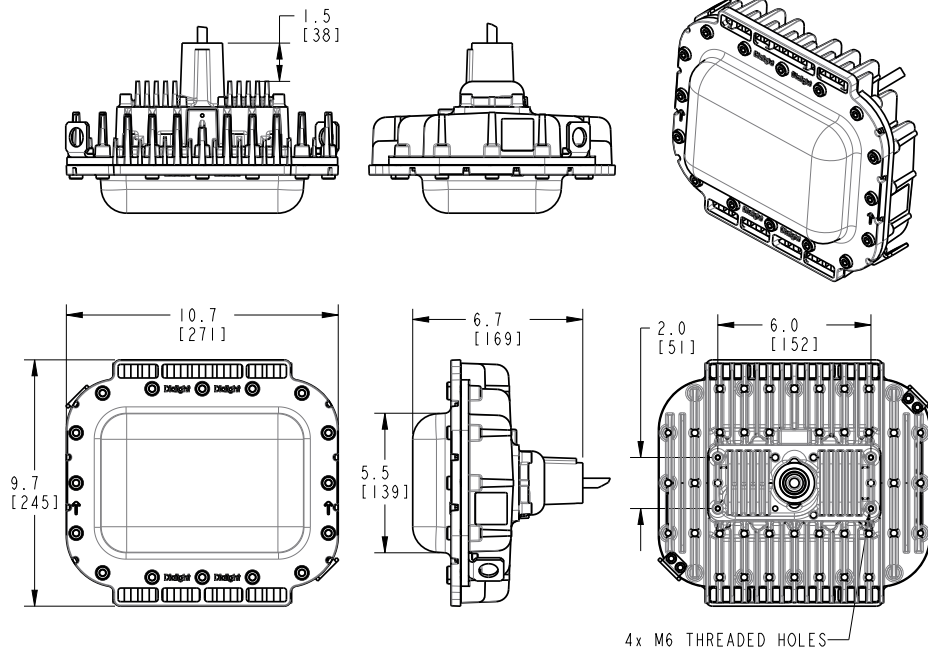


DISCLAIMER. All product information provided is, to the best of Dialight's knowledge, accurate as of the date of publication. When ordering, refer to www.dialight.com for current versions of: (a) relevant product documentation (including the relevant product data sheets); (b) Dialight terms and conditions of sale; and, (c) the relevant product warranty. To the extent that any contract is deemed formed between Dialight and the purchaser of Dialight products and/or an end-user, versions of documents available at www.dialight.com as at the date of sale shall be the versions incorporated therein. In the event of any discrepancy between this document or information provided at www.dialight.com, the latter shall prevail.

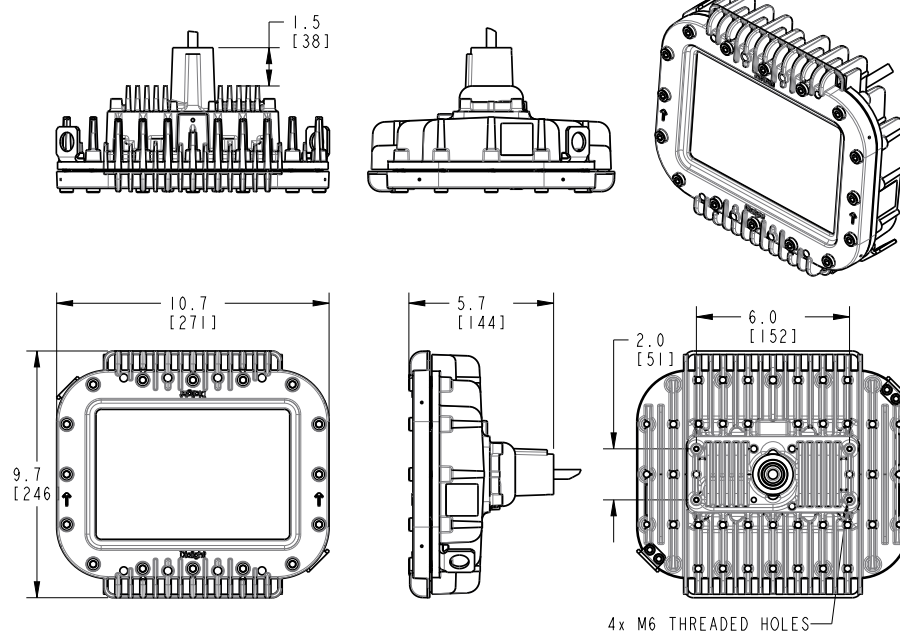
SafeSite® LED Area Light

Dimensional Drawings

Polycarbonate Lens - Option 5



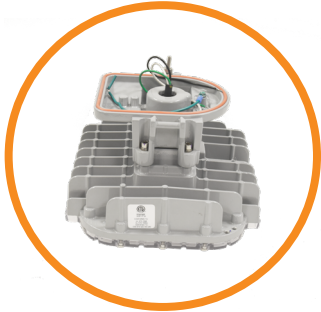
Tempered Glass Lens - Option 7



DISCLAIMER. All product information provided is, to the best of Dialight's knowledge, accurate as of the date of publication. When ordering, refer to www.dialight.com for current versions of: (a) relevant product documentation (including the relevant product data sheets); (b) Dialight terms and conditions of sale; and, (c) the relevant product warranty. To the extent that any contract is deemed formed between Dialight and the purchaser of Dialight products and/or an end-user, versions of documents available at www.dialight.com as at the date of sale shall be the versions incorporated therein. In the event of any discrepancy between this document or information provided at www.dialight.com, the latter shall prevail.

SafeSite® LED Area Light

Accessories



ALxxx2xDUNxGN

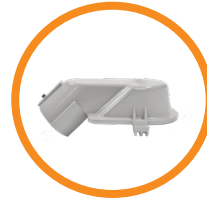
Fixtures are available with a universal mounting adapter factory installed, see product N-chart for details. Choose from one of the four available mounting options:



Wall Mount
HZXW01



45° Wall Mount
HZXW45



45° Stanchion Mount
HZXS45



34mm Slip-fit Pole Mount
HZXC34



Certified to: UL 50E • CSA C22.2 No. 94.2-07

HZXSTAN100S

- 1.00" (1.315" Pole OD) Slip-fit stanchion mount

HZXSTAN125S

- 1.25" (1.660" Pole OD) Slip-fit stanchion mount

HZXSTAN150S

- 1.50" (1.900" Pole OD) Slip-fit stanchion mount

HZXSTAN200S

- 2.00" (2.375" Pole OD) Slip-fit stanchion mount

HZXSTAN100T

- 1.00" (1.315" Pole OD) NPT threaded stanchion mount

HZXSTAN125T

- 1.25" (1.660" Pole OD) NPT threaded stanchion mount

HZXSTAN150T

- 1.50" (1.900" Pole OD) NPT threaded stanchion mount

HZXSTAN200T

- 2.00" (2.375" Pole OD) NPT threaded stanchion mount



HZXW3

- 316 stainless steel bracket

HZXW7

- Aluminum bracket



HZXSAFECBLS

- Safety cable kit



Certified to: UL 50E • CSA C22.2 No. 94.2-07

HZXJB075

- 0.75" Ceiling / Wall / Pole mount junction box

HZXJB100

- 1.00" Ceiling / Wall / Pole mount junction box

HZXJB125

- 1.25" Ceiling / Wall / Pole mount junction box

HZXJB150

- 1.50" Ceiling / Wall / Pole mount junction box



HZXW4

- 316 stainless steel bracket with pipe clamp

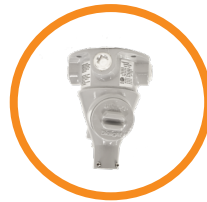
HZXW8

- Aluminum bracket with pipe clamp



HBXC1

- 0.75" NPT Ceiling mount



Certified to: UL 50E • UL 1203

ISA 12.12.01 • CSA C22.2 No. 94.2-07

Certified to: UL 50E • CSA C22.2 No. 94.2-07

HZXJB075PC1

- 0.75" Junction box with photocell

HZXJB100PC1

- 1.00" Junction box with photocell

HZXJB125PC1

- 1.25" Junction box with photocell

HZXJB150PC1

- 1.50" Junction box with photocell

DISCLAIMER. All product information provided is, to the best of Dialight's knowledge, accurate as of the date of publication. When ordering, refer to www.dialight.com for current versions of: (a) relevant product documentation (including the relevant product data sheets); (b) Dialight terms and conditions of sale; and, (c) the relevant product warranty. To the extent that any contract is deemed formed between Dialight and the purchaser of Dialight products and/or an end-user, versions of documents available at www.dialight.com as at the date of sale shall be the versions incorporated therein. In the event of any discrepancy between this document or information provided at www.dialight.com, the latter shall prevail.

SafeSite® LED Area Light

Retro-fit Options

Retro-fit adapters can be factory installed. See product ordering information for details.

- Eaton's Crouse-Hinds – Champ®
- GE Lighting Solutions – Filtr-Gard™
- Holophane Petrolux® II, III
- Thomas & Betts Hazlux®
- Appleton® Mercmaster III
- Appleton® Mercmaster II
- Killark® Certilite® & Certilite® V

*Petrolux adapter available as a standalone accessory only



| Eaton's Crouse-Hinds – Champ® - HZXTHCH | | | | |
|---|---------|------|-----------|------------|
| Pendant | Ceiling | Wall | Stanchion | Quad Mount |
| APM2 | CM2 | TWM2 | JM5 | QM25 |
| APM3 | CM3 | TWM3 | PM5 | |
| HPM2 | | | | |



| GE Lighting Solutions – Filtr-Gard™ - HZXTHGE | | | | |
|---|---------|------|-----------|------------|
| Pendant | Ceiling | Wall | Stanchion | Quad Mount |
| 3P | 3F | 3C | 3W | 5S |
| 4P | 4F | | 4W | 6S |
| | | | | 5J, 6J |



| Holophane® Petrolux II, III - HZXTHP3 | | | | |
|---------------------------------------|-----------|-----------|---------|------|
| Pendant | Universal | Stanchion | Ceiling | Wall |
| PD | UN | SA | CD | WL |
| GH | | ST | CE | W |
| P | | A | B, C, D | |

Please reference spec sheet at www.dialight.com for all dimensional drawings of retro-fit options.

DISCLAIMER. All product information provided is, to the best of Dialight's knowledge, accurate as of the date of publication. When ordering, refer to www.dialight.com for current versions of: (a) relevant product documentation (including the relevant product data sheets); (b) Dialight terms and conditions of sale; and, (c) the relevant product warranty. To the extent that any contract is deemed formed between Dialight and the purchaser of Dialight products and/or an end-user, versions of documents available at www.dialight.com as at the date of sale shall be the versions incorporated therein. In the event of any discrepancy between this document or information provided at www.dialight.com, the latter shall prevail.

SafeSite® LED Area Light

Retro-fit Options



| Thomas & Betts Hazlux® - HZXTHTB | | | | |
|----------------------------------|---------------------|---------------------|--------------------|--------------------|
| Pendant | Pendant Cone | Flexible Pendant | Ceiling | Wall |
| VP2 | VA2 | VF2 | VC2 | VB2 |
| VP3 | VA3 | VF3 | VC3 | VB3 |
| Wall | 25° Angle Stanchion | 25° Angle Stanchion | Straight Stanchion | Straight Stanchion |
| VB2-VIB | VS4 | VS4-VIB | VL4 | VL4-VIB |
| VB3-VIB | VS5 | VS5-VIB | VL5 | VL5-VIB |



| Appleton® Mercmaster III - HZXTHAP | | | |
|------------------------------------|---------|----------|-----------|
| Pendant | Ceiling | Wall | Stanchion |
| KPA-75, 100 | KPC-75 | KPWB-75 | KPS-125 |
| KPAF-75, 100 | KPC-100 | KPWB-100 | KPS-150 |
| KPCH-75, 100 | | | KPST-125 |
| | | | KPST-150 |



| Appleton® Mercmaster II - HZXTHM2 | | | |
|-----------------------------------|---------|----------|-----------|
| Pendant | Ceiling | Wall | Stanchion |
| LPA-75 | LPC-75 | LPWB-75 | LPS-125 |
| LPA-100 | LPC-100 | LPWB-100 | LPS-150 |



| Killark® Certilite® & Certilite® V - HZXTHKL | | | |
|--|-------------------|---------------|-----------|
| Pendant | Ceiling | Wall | Stanchion |
| VMA2B & VMA-2 | VMX2B & VMX-2 | VMB2B & VMB-2 | VMD4B |
| VMA3B & VMA-3 | VMX3B & VMX-3 | VMB3B & VMB-3 | VMD5B |
| VMC2B & VMC-2 | VMX6B, 7B, 8B, 9B | | VMS5B |
| VMC3B & VMC-3 | | | |
| VMF2B, 3B | | | |

Please reference spec sheet at www.dialight.com for all dimensional drawings of retro-fit options.

DISCLAIMER. All product information provided is, to the best of Dialight's knowledge, accurate as of the date of publication. When ordering, refer to www.dialight.com for current versions of: (a) relevant product documentation (including the relevant product data sheets); (b) Dialight terms and conditions of sale; and, (c) the relevant product warranty. To the extent that any contract is deemed formed between Dialight and the purchaser of Dialight products and/or an end-user, versions of documents available at www.dialight.com as at the date of sale shall be the versions incorporated therein. In the event of any discrepancy between this document or information provided at www.dialight.com, the latter shall prevail.

SafeSite® LED End-to-End Linear Fixture

Technical Specifications



Ratings and Certifications

- UL 1598/A
- CSA C22.2 No. 250
- UL 844
- CSA C22.2 No. 137-M81
- 5 year warranty
- L70 rated for >125,000 hours
- IP66/67
- NEMA 4X
- CID2 A,B,C,D
- CIID1 E,F,G
- CIID2 F,G
- CIII

*All features not available on every model. Please refer to product part number pages for model specifics.

Mechanical Information

Fixture weight:

- 4' model: 18 lb (8.2 kg)
- 2' model: 13 lb (5.9 kg)

Shipping weight:

- 4' model: 20 lb (9.1 kg)
- 2' model: 15 lb (6.8 kg)

Mounting:

- (4) 3/4" NPT openings
- Optional ceiling, flush or swivel mounting bracket
- Secondary retention option available

Temperature Ratings

Ambient Temperature Range

T4A Temperature Code

-40°F to +149°F (-40°C to +65°C)

Ambient Temperature Range

T5 Temperature Code

-40°F to +113°F (-40°C to +45°C)

Specifications

| | | | |
|--------------------------|--------------------------------------|-----------------|------------------------|
| Voltage: | 120-277 VAC | Housing: | Extruded 6063 aluminum |
| Operating temp: | -40°F to +149°F (-40°C to +65°C) | Lens: | Polycarbonate |
| Power factor: | >0.9 | CRI: | 80 |
| THD: | <20% | CCT: | 5000K (cool white) |
| Surge protection: | 6kV line-to-line, 6kV line-to-ground | | 4000K (neutral white) |

Comparison

| | Warranty | L70 | T-Rating |
|----------------------|----------|----------|----------|
| Dialight LED Linear | 5yr | >125,000 | T5 |
| Metal Halide | 1 | 6,000 | T2 |
| High Pressure Sodium | 1 | 20,000 | T2A |
| Fluorescent | 1 | 24,000 | T3 |

Lumens

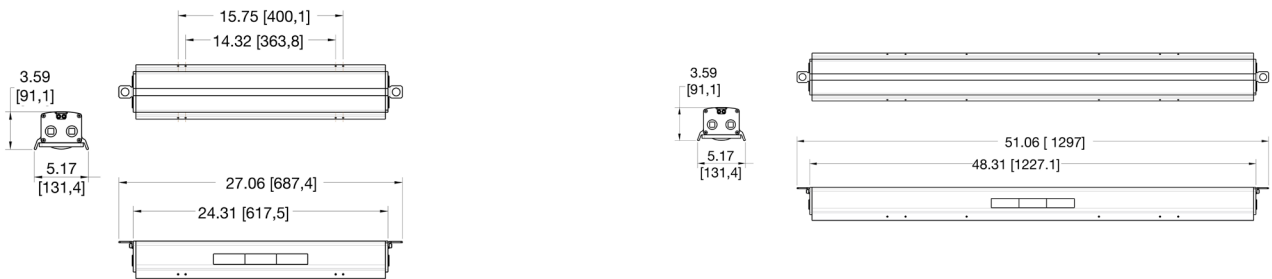
Wattage

lm/W

Mounting Heights

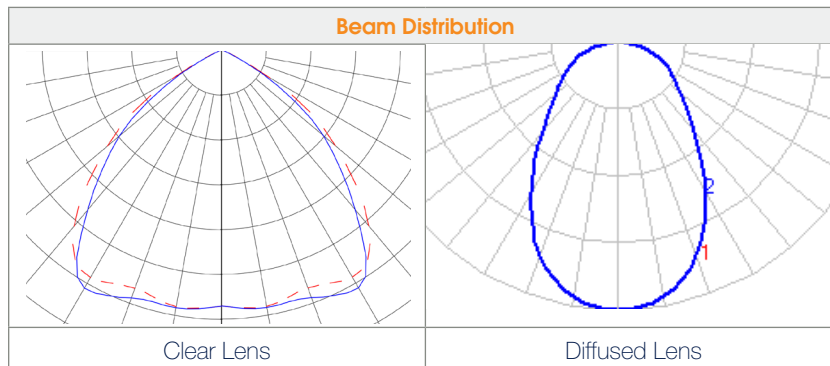
| | | | |
|-------|----|-----|-----|
| 7,500 | 60 | 125 | 20' |
| 6,750 | 60 | 112 | ↕ |
| 4,000 | 32 | 125 | |
| 3,500 | 32 | 109 | 10' |

Dimensions



Dimension in inches [mm]

Beam Distribution



WARNING - INSTALLATION & SECONDARY RETENTION. Use of any Dialight products without proper installation (including secondary retention / netting) and periodic inspections could cause severe injury or death. Dialight recommends that all installations should use secondary retention / netting (appropriate to the installation environment) where applicable. It is the exclusive responsibility of the contractor, installer and/or end-user to: (a) determine the suitability of the product for its intended application; and, (b) ensure that the product is safely installed (with secondary retention / netting where appropriate) and in compliance with all applicable laws and regulations. To the extent permissible under applicable laws, Dialight disclaims all liability for personal injury and/or other damage resulting from any dislodgment or other dislocation of its products.

SafeSite® LED End-to-End Linear Fixture

Ordering Information & Accessories

Classifications: CID2 Groups A, B, C, D • CIID1 E, F, G • CIID2 F, G • CIII

| Part Number | Length | CRI | CID1 | CID2 | CIID1 | CIID2 | CIII | Voltage | Lens | CCT | Fixture Lumens | Watt | lm/W | Beam Distribution |
|-------------------------------|--------|-----|------|------|-------|-------|------|-------------|----------|--------------------|----------------|------|------|-------------------|
| Class I, Div 2 Models | | | | | | | | | | | | | | |
| LBD2MB3FNNNNGN | 4' | 80 | | • | | | | 120-277 VAC | Clear | 5000K (cool white) | 7,500 | 60 | 125 | Medium |
| LBD6MB3FNNNNGN | 4' | 80 | | • | | | | 120-277 VAC | Diffused | 5000K (cool white) | 6,750 | 60 | 112 | Medium |
| LAD2MB3BNNNNGN | 2' | 80 | | • | | | | 120-277 VAC | Clear | 5000K (cool white) | 4,000 | 32 | 125 | Medium |
| LAD6MB3BNNNNGN | 2' | 80 | | • | | | | 120-277 VAC | Diffused | 5000K (cool white) | 3,500 | 32 | 109 | Medium |
| Class II, Div 1 Models | | | | | | | | | | | | | | |
| LBF2MB3FNNNNGN | 4' | 80 | | | • | • | • | 120-277 VAC | Clear | 5000K (cool white) | 7,500 | 60 | 125 | Medium |
| LBF6MB3FNNNNGN | 4' | 80 | | | • | • | • | 120-277 VAC | Diffused | 5000K (cool white) | 6,750 | 60 | 112 | Medium |
| LAF2MB3BNNNNGN | 2' | 80 | | | • | • | • | 120-277 VAC | Clear | 5000K (cool white) | 4,000 | 32 | 125 | Medium |
| LAF6MB3BNNNNGN | 2' | 80 | | | • | • | • | 120-277 VAC | Diffused | 5000K (cool white) | 3,500 | 32 | 109 | Medium |

All values typical unless otherwise stated (tolerance +/- 10%).

Part numbers listed in the table above are cool white. For neutral white models, replace the 6th character with an **N**.

Swivel Mount



EEX-S6

- 316 stainless steel swivel mounting bracket
- Can be angled at 0°, 30°, 45°, 60°, and 90°



Ceiling Mount



EEX-C6

- 316 stainless steel fixed ceiling mount

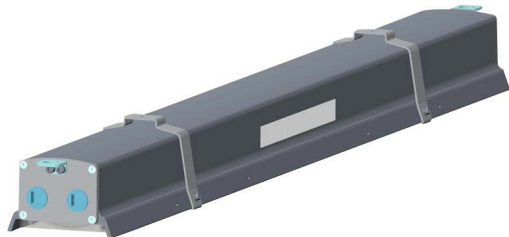


Flush Mount



EEX-F6

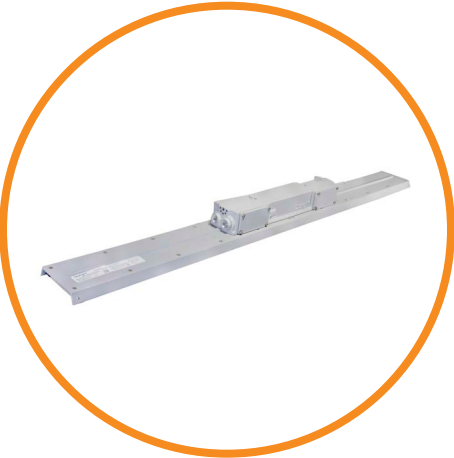
- 316 stainless steel flush mount



DISCLAIMER. All product information provided is, to the best of Dialight's knowledge, accurate as of the date of publication. When ordering, refer to www.dialight.com for current versions of: (a) relevant product documentation (including the relevant product data sheets); (b) Dialight terms and conditions of sale; and, (c) the relevant product warranty. To the extent that any contract is deemed formed between Dialight and the purchaser of Dialight products and/or an end-user, versions of documents available at www.dialight.com as at the date of sale shall be the versions incorporated therein. In the event of any discrepancy between this document or information provided at www.dialight.com, the latter shall prevail.

SafeSite® LED Linear - UL 844

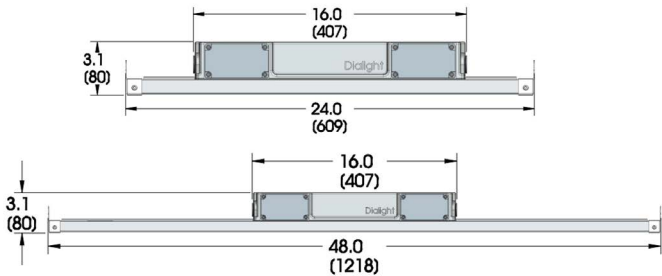
Low Profile - Class I, Div. 2 / Class II - 10 year warranty



Certifications & Ratings

- UL 1598/A¹
- UL 844¹
- CSA C22.2 No. 137¹
- CSA C22.2 No. 250¹
- IP66 / 67
- Class I, Div. 2 Groups A, B, C & D
- Class I, Zone 2 Group IIC
- Class II, Div. 1 Groups E, F & G
- Class II, Div. 2 Groups F & G
- Class III
- NEMA 4X
- 2000 PSI hose-down rating²
- DLC Premium & Standard

¹ETL listed
²Internally tested



Dimensions in inches [mm]

| Temperature Ratings | |
|---|--|
| Ambient Temperature Range T4A Temperature Code | Ambient Temperature Range T5 Temperature Code |
| -40°F to +149°F (-40°C to +65°C) | -40°F to +113°F (-40°C to +45°C) |

Mechanical Information:

- Fixture weight:** 4' - 11 lb (5.0 kg)
2' - 8 lb (3.6 kg)
- Shipping weight:** 4' - 12 lb (5.4 kg)
2' - 9 lb (4.1 kg)
- Mounting:** (4) 3/4" NPT openings
Optional swivel bracket - LPXW4
Optional low profile bracket - LPXW4LP

Variable Dimming:

- Variable dimming control:** 0-10 VDC
- Dimming range:** 10 VDC = 100% light output
0 VDC = 5% light output

Electrical Specifications:

- Operating voltage:** 100-277 VAC, 50/60Hz
120-250 VDC
- Power consumption:** See ordering information
- Operating temp:** -40°F to +149°F (-40°C to +65°C)
- EMC:** FCC Title 47, Subpart B, Section 15, Class A device. RF Immunity; 10V/m, 80MHz-1GHz
- Surge protection:** EN 61000-4-5
6 kV line-to-line
6 kV line-to-ground
- Harmonics:** IEC 61000-3-2 Class C
ATHD<20%
- Power factor:** > 0.9

Construction:

- Finish:** Superior dual coat finish
- Sealed polyester topcoat
- Chemical resistant epoxy primer
- Lens:** Polycarbonate

Photometric Information:

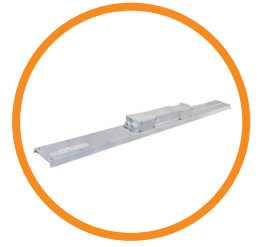
- CRI:** 80
- CCT:** 5000K (cool white)
4000K (neutral white)
- IES files:** Available at www.dialight.com

All values typical unless otherwise stated (tolerance +/- 10%)

WARNING - INSTALLATION & SECONDARY RETENTION. Use of any Dialight products without proper installation (including secondary retention / netting) and periodic inspections could cause severe injury or death. Dialight recommends that all installations should use secondary retention / netting (appropriate to the installation environment) where applicable. It is the exclusive responsibility of the contractor, installer and/or end-user to: (a) determine the suitability of the product for its intended application; and, (b) ensure that the product is safely installed (with secondary retention / netting where appropriate) and in compliance with all applicable laws and regulations. To the extent permissible under applicable laws, Dialight disclaims all liability for personal injury and/or other damage resulting from any dislodgment or other dislocation of its products.

Ordering Information

SafeSite® LED Linear - Low Profile - UL 844 - 10 year warranty



Classifications: CID2 A, B, C, D • CIID1 E, F, G • CIID2 F, G • CIII

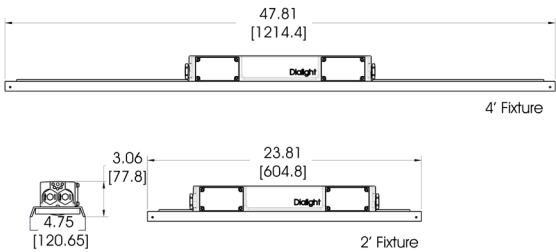
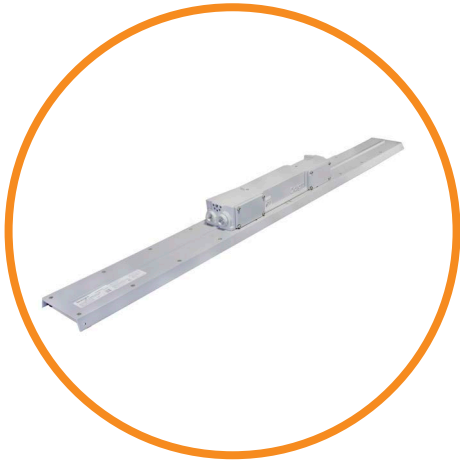
| Part Number (x = CCT placeholder) | Length | CRI | Wattage | Fixture Lumens | | lm/W | | Voltage | Lens | Beam Distribution |
|--------------------------------------|--------|-----|---------|----------------|-------|-------|-------|---------------------------|------------------------|-------------------|
| | | | | 5000K | 4000K | 5000K | 4000K | | | |
| Class I, Div. 2 Models | | | | | | | | | | |
| LKD-4M(x)2-9DNN-NGN | 4' | 80 | 70 | 9,600 | 9,300 | 137 | 132 | 100-277 VAC / 120-250 VDC | Clear Polycarbonate | Medium |
| LKD-5M(x)2-9DNN-NGN | 4' | 80 | 70 | 8,800 | 8,500 | 125 | 121 | 100-277 VAC / 120-250 VDC | Diffused Polycarbonate | Medium |
| LKD-4W(x)2-9DNN-NGN | 4' | 80 | 70 | 9,600 | 9,300 | 137 | 132 | 100-277 VAC / 120-250 VDC | Clear Polycarbonate | Wide |
| LKD-4M(x)2-7DNN-NGN | 4' | 80 | 52 | 7,250 | 6,950 | 139 | 134 | 100-277 VAC / 120-250 VDC | Clear Polycarbonate | Medium |
| LKD-5M(x)2-7DNN-NGN | 4' | 80 | 52 | 6,550 | 6,250 | 126 | 120 | 100-277 VAC / 120-250 VDC | Diffused Polycarbonate | Medium |
| LKD-4W(x)2-7DNN-NGN | 4' | 80 | 52 | 7,250 | 6,950 | 139 | 134 | 100-277 VAC / 120-250 VDC | Clear Polycarbonate | Wide |
| LJD-4M(x)2-5DNN-NGN | 2' | 80 | 37 | 4,750 | 4,500 | 128 | 122 | 100-277 VAC / 120-250 VDC | Clear Polycarbonate | Medium |
| LJD-5M(x)2-5DNN-NGN | 2' | 80 | 37 | 4,450 | 4,200 | 120 | 114 | 100-277 VAC / 120-250 VDC | Diffused Polycarbonate | Medium |
| LJD-4W(x)2-5DNN-NGN | 2' | 80 | 37 | 4,750 | 4,500 | 128 | 122 | 100-277 VAC / 120-250 VDC | Clear Polycarbonate | Wide |
| Class II, Div. 1 Models | | | | | | | | | | |
| LKF-4M(x)2-9DNN-NGN | 4' | 80 | 70 | 9,600 | 9,300 | 137 | 132 | 100-277 VAC / 120-250 VDC | Clear Polycarbonate | Medium |
| LKF-5M(x)2-9DNN-NGN | 4' | 80 | 70 | 8,800 | 8,500 | 125 | 121 | 100-277 VAC / 120-250 VDC | Diffused Polycarbonate | Medium |
| LKF-4W(x)2-9DNN-NGN | 4' | 80 | 70 | 9,600 | 9,300 | 137 | 132 | 100-277 VAC / 120-250 VDC | Clear Polycarbonate | Wide |
| LKF-4M(x)2-7DNN-NGN | 4' | 80 | 52 | 7,250 | 6,950 | 139 | 134 | 100-277 VAC / 120-250 VDC | Clear Polycarbonate | Medium |
| LKF-5M(x)2-7DNN-NGN | 4' | 80 | 52 | 6,550 | 6,250 | 126 | 120 | 100-277 VAC / 120-250 VDC | Diffused Polycarbonate | Medium |
| LKF-4W(x)2-7DNN-NGN | 4' | 80 | 52 | 7,250 | 6,950 | 139 | 134 | 100-277 VAC / 120-250 VDC | Clear Polycarbonate | Wide |
| LJF-4M(x)2-5DNN-NGN | 2' | 80 | 37 | 4,750 | 4,500 | 128 | 122 | 100-277 VAC / 120-250 VDC | Clear Polycarbonate | Medium |
| LJF-5M(x)2-5DNN-NGN | 2' | 80 | 37 | 4,450 | 4,200 | 120 | 114 | 100-277 VAC / 120-250 VDC | Diffused Polycarbonate | Medium |
| LJF-4W(x)2-5DNN-NGN | 2' | 80 | 37 | 4,750 | 4,500 | 128 | 122 | 100-277 VAC / 120-250 VDC | Clear Polycarbonate | Wide |

All values typical unless otherwise stated (tolerance +/- 10%)
 CCT placeholders - C=5000K (cool white), N= 4000K (neutral white)
 For additional ordering options, please consult factory.

DISCLAIMER. All product information provided is, to the best of Dialight's knowledge, accurate as of the date of publication. When ordering, refer to www.dialight.com for current versions of: (a) relevant product documentation (including the relevant product data sheets); (b) Dialight terms and conditions of sale; and, (c) the relevant product warranty. To the extent that any contract is deemed formed between Dialight and the purchaser of Dialight products and/or an end-user, versions of documents available at www.dialight.com as at the date of sale shall be the versions incorporated therein. In the event of any discrepancy between this document or information provided at www.dialight.com, the latter shall prevail.

SafeSite® LED Linear - Low Profile

Technical Specifications - 5 year warranty



Dimensions in inches [mm]

Temperature Ratings

| Ambient Temperature Range T4A Temperature Code | Ambient Temperature Range T5 Temperature Code |
|---|--|
| -40°F to +149°F (-40°C to +65°C) | -40°F to +113°F (-40°C to +45°C) |

Certifications & Ratings

- UL 1598/A
- UL 844
- CSA C22.2 No. 137
- CSA C22.2 No. 250
- IP66 / 67
- Class I, Div. 2 Groups A, B, C & D
- Class II, Div. 1 Groups E, F & G
- Class II, Div. 2 Groups F & G
- Class III
- NEMA 4X

Mechanical Information:

- Fixture weight:** 4' - 10 lb (4.5 kg)
2' - 7 lb (3.2 kg)
- Shipping weight:** 4' - 11 lb (5.0 kg)
2' - 8 lb (3.6 kg)
- Mounting:** (4) 3/4" NPT openings
Optional swivel bracket - LPXW4
Optional low profile bracket - LPXW4LP

Electrical Specifications:

- Operating voltage:** 100-277 VAC, 50/60Hz
- Power consumption:** See ordering information
- Operating temp:** -40°F to +149°F (-40°C to +65°C)
- Harmonics:** IEC 61000-3-2
- Noise Requirements/EMC:** FCC Title 47, Subpart B, Section 15, Class A device. RF Immunity; 10V/m, 80MHz-1GHz
- Surge protection:** EN 61000-4-5
4 kV line-to-line
4 kV line-to-ground
- THD:** < 20%
- Power factor:** > 0.9

Construction:

- Finish:** Superior dual coat finish
- Sealed polyester topcoat
- Chemical resistant epoxy primer
- Lens:** Polycarbonate

Photometric Information:

- CRI:** 80
- CCT:** 5000K (cool white)
4000K (neutral white)
- IES files:** Available at www.dialight.com

All values typical unless otherwise stated (tolerance +/- 10%)

WARNING - INSTALLATION & SECONDARY RETENTION. Use of any Dialight products without proper installation (including secondary retention / netting) and periodic inspections could cause severe injury or death. Dialight recommends that all installations should use secondary retention / netting (appropriate to the installation environment) where applicable. It is the exclusive responsibility of the contractor, installer and/or end-user to: (a) determine the suitability of the product for its intended application; and, (b) ensure that the product is safely installed (with secondary retention / netting where appropriate) and in compliance with all applicable laws and regulations. To the extent permissible under applicable laws, Dialight disclaims all liability for personal injury and/or other damage resulting from any dislodgment or other dislocation of its products.

SafeSite® LED Linear - Low Profile

Ordering Information & Accessories - 5 year warranty

Classifications: CID2 A, B, C, D • CIID1 E, F, G • CIID2 F, G • CIII

| Part Number | Length | CRI | CID1 | CID2 | CIID1 | CIID2 | CIII | Fixture Lumens | Watt | lm/W | Voltage | CCT | Lens | Beam Distribution |
|--------------------------------|--------|-----|------|------|-------|-------|------|----------------|------|------|-------------|-----------------------|----------|-------------------|
| Class I, Div. 2 Models | | | | | | | | | | | | | | |
| LPD3C4M2P | 4' | 80 | | • | | • | • | 7,900 | 60 | 132 | 100-277 VAC | 5000K (cool white) | Clear | Medium |
| LPD3C4H2W | 4' | 80 | | • | | • | • | 7,100 | 60 | 118 | 100-277 VAC | 5000K (cool white) | Diffused | Medium |
| LPD3N4M2P | 4' | 80 | | • | | • | • | 7,300 | 60 | 122 | 100-277 VAC | 4000K (neutral white) | Clear | Medium |
| LPD3N4H2W | 4' | 80 | | • | | • | • | 6,700 | 60 | 112 | 100-277 VAC | 4000K (neutral white) | Diffused | Medium |
| LPD3C4D2P | 2' | 80 | | • | | • | • | 3,850 | 29 | 133 | 100-277 VAC | 5000K (cool white) | Clear | Medium |
| LPD3C4B2W | 2' | 80 | | • | | • | • | 3,500 | 29 | 121 | 100-277 VAC | 5000K (cool white) | Diffused | Medium |
| LPD3N4D2P | 2' | 80 | | • | | • | • | 3,600 | 29 | 124 | 100-277 VAC | 4000K (neutral white) | Clear | Medium |
| LPD3N4B2W | 2' | 80 | | • | | • | • | 3,300 | 29 | 114 | 100-277 VAC | 4000K (neutral white) | Diffused | Medium |
| Class II, Div. I Models | | | | | | | | | | | | | | |
| LPF3C4M2P | 4' | 80 | | | • | • | • | 7,900 | 60 | 132 | 100-277 VAC | 5000K (cool white) | Clear | Medium |
| LPF3C4H2W | 4' | 80 | | | • | • | • | 7,100 | 60 | 118 | 100-277 VAC | 5000K (cool white) | Diffused | Medium |
| LPF3N4M2P | 4' | 80 | | | • | • | • | 7,300 | 60 | 122 | 100-277 VAC | 4000K (neutral white) | Clear | Medium |
| LPF3N4H2W | 4' | 80 | | | • | • | • | 6,700 | 60 | 112 | 100-277 VAC | 4000K (neutral white) | Diffused | Medium |
| LPF3C4D2P | 2' | 80 | | | • | • | • | 3,850 | 29 | 133 | 100-277 VAC | 5000K (cool white) | Clear | Medium |
| LPF3C4B2W | 2' | 80 | | | • | • | • | 3,500 | 29 | 121 | 100-277 VAC | 5000K (cool white) | Diffused | Medium |
| LPF3N4D2P | 2' | 80 | | | • | • | • | 3,600 | 29 | 124 | 100-277 VAC | 4000K (neutral white) | Clear | Medium |
| LPF3N4B2W | 2' | 80 | | | • | • | • | 3,300 | 29 | 114 | 100-277 VAC | 4000K (neutral white) | Diffused | Medium |

All values typical unless otherwise stated, Lumen values are typical (tolerance +/- 10%).

Part numbers listed in the table above are cool white. For neutral white model, replace the 5th character with N. Ex. LPD3C4M2P becomes LPD3N4M2P



LPXW4

- 316 Stainless steel mounting bracket
- Can be angled at 0°, 30°, 45°, 60° & 90°



LPXW4LP

- 316 Stainless steel low profile mounting bracket
- Can be angled at 0° and 15°



LTXSAFEKIT

- Stainless steel safety cable kit for secondary retention



LTXENDCAPKIT

- 304 Stainless steel chain mount and secondary retention bracket

DISCLAIMER. All product information provided is, to the best of Dialight's knowledge, accurate as of the date of publication. When ordering, refer to www.dialight.com for current versions of: (a) relevant product documentation (including the relevant product data sheets); (b) Dialight terms and conditions of sale; and, (c) the relevant product warranty. To the extent that any contract is deemed formed between Dialight and the purchaser of Dialight products and/or an end-user, versions of documents available at www.dialight.com as at the date of sale shall be the versions incorporated therein. In the event of any discrepancy between this document or information provided at www.dialight.com, the latter shall prevail.

SafeSite® LED Linear - UL 844

Top Conduit - Class I, Div. 2 / Class II - 10 year warranty

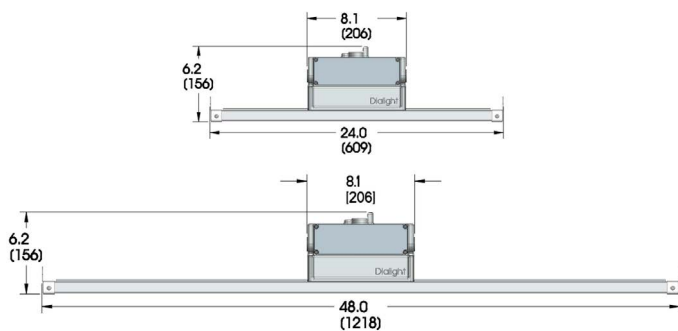


Certifications & Ratings

- UL 1598/A¹
- UL 844¹
- CSA C22.2 No. 137¹
- CSA C22.2 No. 250¹
- IP66
- Class I, Div. 2 Groups A, B, C & D
- Class I, Zone 2 Group IIC
- Class II, Div. 1 Groups E, F & G
- Class II, Div. 2 Groups F & G
- Class III
- NEMA 4X
- 2000 PSI hose-down rating²
- DLC Premium & Standard

¹ETL listed

²Internally tested



Dimensions in inches [mm]

Temperature Ratings

| Ambient Temperature Range T4A Temperature Code | Ambient Temperature Range T5 Temperature Code |
|---|--|
| -40°F to +149°F (-40°C to +65°C) | -40°F to +113°F (-40°C to +45°C) |

Mechanical Information:

- Fixture weight:** 4' - 11 lb (5.0 kg)
2' - 8 lb (3.6 kg)
- Shipping weight:** 4' - 12 lb (5.4 kg)
2' - 9 lb (4.1 kg)
- Mounting:** (4) 3/4" NPT openings
Optional swivel bracket - LTXW4
Optional low profile bracket - LTXW4LP

Variable Dimming:

- Variable dimming control:** 0-10 VDC
- Dimming range:** 10 VDC = 100% light output
0 VDC = 5% light output

Electrical Specifications:

- Operating voltage:** 100-277 VAC, 50/60Hz
120-250 VDC
- Power consumption:** See ordering information
- Operating temp:** -40°F to +149°F (-40°C to +65°C)
- EMC:** FCC Title 47, Subpart B, Section 15,
Class A device. RF Immunity; 10V/m,
80MHz-1GHz
- Surge protection:** EN 61000-4-5
6 kV line-to-line
6 kV line-to-ground
- Harmonics:** IEC 61000-3-2 Class C
ATHD<20%
- Power factor:** > 0.9

Construction:

- Finish:** Superior dual coat finish
- Sealed polyester topcoat
- Chemical resistant epoxy primer
- Lens:** Polycarbonate

Photometric Information:

- CRI:** 80
- CCT:** 5000K (cool white)
4000K (neutral white)
- IES files:** Available at www.dialight.com

All values typical unless otherwise stated (tolerance +/- 10%)

WARNING - INSTALLATION & SECONDARY RETENTION. Use of any Dialight products without proper installation (including secondary retention / netting) and periodic inspections could cause severe injury or death. Dialight recommends that all installations should use secondary retention / netting (appropriate to the installation environment) where applicable. It is the exclusive responsibility of the contractor, installer and/or end-user to: (a) determine the suitability of the product for its intended application; and, (b) ensure that the product is safely installed (with secondary retention / netting where appropriate) and in compliance with all applicable laws and regulations. To the extent permissible under applicable laws, Dialight disclaims all liability for personal injury and/or other damage resulting from any dislodgment or other dislocation of its products.

Ordering Information

SafeSite® LED Linear - Top Conduit - UL 844 - 10 year warranty



Classifications: CID2 A, B, C, D • CIID1 E, F, G • CIID2 F, G • CIII

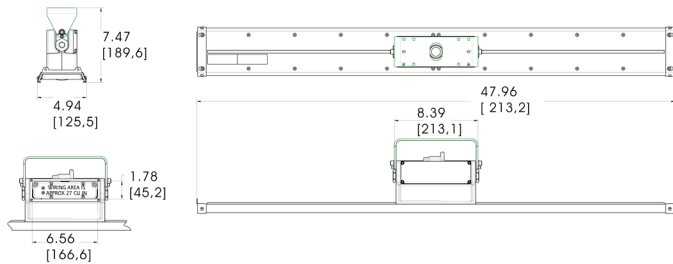
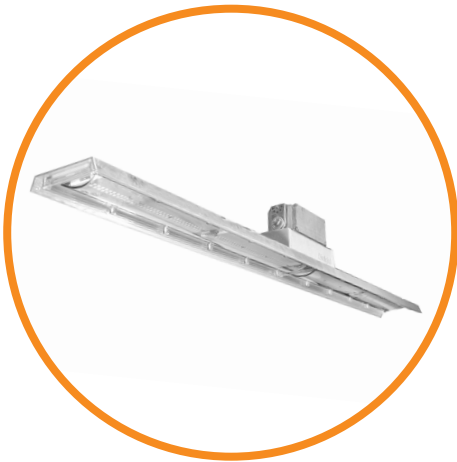
| Part Number (x = CCT placeholder) | Length | CRI | Wattage | Fixture Lumens | | lm/W | | Voltage | Lens | Beam Distribution |
|--------------------------------------|--------|-----|---------|----------------|-------|-------|-------|---------------------------|------------------------|-------------------|
| | | | | 5000K | 4000K | 5000K | 4000K | | | |
| Class I, Div. 2 Models | | | | | | | | | | |
| LHD-4M(x)2-9DNN-NGN | 4' | 80 | 70 | 9,600 | 9,300 | 137 | 132 | 100-277 VAC / 120-250 VDC | Clear Polycarbonate | Medium |
| LHD-5M(x)2-9DNN-NGN | 4' | 80 | 70 | 8,800 | 8,500 | 125 | 121 | 100-277 VAC / 120-250 VDC | Diffused Polycarbonate | Medium |
| LHD-4W(x)2-9DNN-NGN | 4' | 80 | 70 | 9,600 | 9,300 | 137 | 132 | 100-277 VAC / 120-250 VDC | Clear Polycarbonate | Wide |
| LHD-4M(x)2-7DNN-NGN | 4' | 80 | 52 | 7,250 | 6,950 | 139 | 134 | 100-277 VAC / 120-250 VDC | Clear Polycarbonate | Medium |
| LHD-5M(x)2-7DNN-NGN | 4' | 80 | 52 | 6,550 | 6,250 | 126 | 120 | 100-277 VAC / 120-250 VDC | Diffused Polycarbonate | Medium |
| LHD-4W(x)2-7DNN-NGN | 4' | 80 | 52 | 7,250 | 6,950 | 139 | 134 | 100-277 VAC / 120-250 VDC | Clear Polycarbonate | Wide |
| LGD-4M(x)2-5DNN-NGN | 2' | 80 | 37 | 4,750 | 4,500 | 128 | 122 | 100-277 VAC / 120-250 VDC | Clear Polycarbonate | Medium |
| LGD-5M(x)2-5DNN-NGN | 2' | 80 | 37 | 4,450 | 4,200 | 120 | 114 | 100-277 VAC / 120-250 VDC | Diffused Polycarbonate | Medium |
| LGD-4W(x)2-5DNN-NGN | 2' | 80 | 37 | 4,750 | 4,500 | 128 | 122 | 100-277 VAC / 120-250 VDC | Clear Polycarbonate | Wide |
| Class II, Div. 1 Models | | | | | | | | | | |
| LHF-4M(x)2-9DNN-NGN | 4' | 80 | 70 | 9,600 | 9,300 | 137 | 132 | 100-277 VAC / 120-250 VDC | Clear Polycarbonate | Medium |
| LHF-5M(x)2-9DNN-NGN | 4' | 80 | 70 | 8,800 | 8,500 | 125 | 121 | 100-277 VAC / 120-250 VDC | Diffused Polycarbonate | Medium |
| LHF-4W(x)2-9DNN-NGN | 4' | 80 | 70 | 9,600 | 9,300 | 137 | 132 | 100-277 VAC / 120-250 VDC | Clear Polycarbonate | Wide |
| LHF-4M(x)2-7DNN-NGN | 4' | 80 | 52 | 7,250 | 6,950 | 139 | 134 | 100-277 VAC / 120-250 VDC | Clear Polycarbonate | Medium |
| LHF-5M(x)2-7DNN-NGN | 4' | 80 | 52 | 6,550 | 6,250 | 126 | 120 | 100-277 VAC / 120-250 VDC | Diffused Polycarbonate | Medium |
| LHF-4W(x)2-7DNN-NGN | 4' | 80 | 52 | 7,250 | 6,950 | 139 | 134 | 100-277 VAC / 120-250 VDC | Clear Polycarbonate | Wide |
| LGF-4M(x)2-5DNN-NGN | 2' | 80 | 37 | 4,750 | 4,500 | 128 | 122 | 100-277 VAC / 120-250 VDC | Clear Polycarbonate | Medium |
| LGF-5M(x)2-5DNN-NGN | 2' | 80 | 37 | 4,450 | 4,200 | 120 | 114 | 100-277 VAC / 120-250 VDC | Diffused Polycarbonate | Medium |
| LGF-4W(x)2-5DNN-NGN | 2' | 80 | 37 | 4,750 | 4,500 | 128 | 122 | 100-277 VAC / 120-250 VDC | Clear Polycarbonate | Wide |

All values typical unless otherwise stated (tolerance +/- 10%)
 CCT placeholders - C=5000K (cool white), N= 4000K (neutral white)
 For additional ordering options, please consult factory.

DISCLAIMER. All product information provided is, to the best of Dialight's knowledge, accurate as of the date of publication. When ordering, refer to www.dialight.com for current versions of: (a) relevant product documentation (including the relevant product data sheets); (b) Dialight terms and conditions of sale; and, (c) the relevant product warranty. To the extent that any contract is deemed formed between Dialight and the purchaser of Dialight products and/or an end-user, versions of documents available at www.dialight.com as at the date of sale shall be the versions incorporated therein. In the event of any discrepancy between this document or information provided at www.dialight.com, the latter shall prevail.

SafeSite® LED Linear - Top Conduit

Technical Specifications - 5 year warranty



Dimensions in inches [mm]

Temperature Ratings

| Ambient Temperature Range T4A Temperature Code | Ambient Temperature Range T5 Temperature Code |
|---|--|
| -40°F to +149°F (-40°C to +65°C) | -40°F to +113°F (-40°C to +45°C) |

Certifications & Ratings

- UL 1598/A
- UL 844
- CSA C22.2 No. 137
- CSA C22.2 No. 250
- IP66
- Class I, Div. 2 Groups A, B, C & D
- Class II, Div. 1 Groups E, F & G
- Class II, Div. 2 Groups F & G
- Class III
- NEMA 4X

Mechanical Information:

- Fixture weight:** 4' - 10 lb (4.5 kg)
2' - 7 lb (3.2 kg)
- Shipping weight:** 4' - 11 lb (5.0 kg)
2' - 8 lb (3.6 kg)
- Mounting:** (3) 3/4" NPT openings
Optional swivel bracket - LTXW4
Optional low profile bracket - LTXW4LP

Electrical Specifications:

- Operating voltage:** 100-277 VAC, 50/60Hz
- Power consumption:** See ordering information
- Operating temp:** -40°F to +149°F (-40°C to +65°C)
- Harmonics:** IEC 61000-3-2
- Noise Requirements/EMC:** FCC Title 47, Subpart B, Section 15, Class A device. RF Immunity; 10V/m, 80MHz-1GHz
- Surge protection:** EN 61000-4-5
4 kV line-to-line
4 kV line-to-ground
- THD:** < 20%
- Power factor:** > 0.9

Construction:

- Finish:** Superior dual coat finish
- Sealed polyester topcoat
- Chemical resistant epoxy primer
- Lens:** Polycarbonate

Photometric Information:

- CRI:** 80
- CCT:** 5000K (cool white)
4000K (neutral white)
- IES files:** Available at www.dialight.com

All values typical unless otherwise stated (tolerance +/- 10%)

WARNING - INSTALLATION & SECONDARY RETENTION. Use of any Dialight products without proper installation (including secondary retention / netting) and periodic inspections could cause severe injury or death. Dialight recommends that all installations should use secondary retention / netting (appropriate to the installation environment) where applicable. It is the exclusive responsibility of the contractor, installer and/or end-user to: (a) determine the suitability of the product for its intended application; and, (b) ensure that the product is safely installed (with secondary retention / netting where appropriate) and in compliance with all applicable laws and regulations. To the extent permissible under applicable laws, Dialight disclaims all liability for personal injury and/or other damage resulting from any dislodgment or other dislocation of its products.

SafeSite® LED Linear - Top Conduit

Ordering Information & Accessories - 5 year warranty

Classifications: CID2 A, B, C, D • CIID1 E, F, G • CIID2 F, G • CIII

| Part Number | Length | CRI | CID1 | CID2 | CIID1 | CIID2 | CIII | Fixture Lumens | Watt | lm/W | Voltage | CCT | Lens | Beam Distribution |
|--------------------------------|--------|-----|------|------|-------|-------|------|----------------|------|------|-------------|-----------------------|----------|-------------------|
| Class I, Div. 2 Models | | | | | | | | | | | | | | |
| LTD3C4M2P | 4' | 80 | | • | | • | • | 7,900 | 60 | 132 | 100-277 VAC | 5000K (cool white) | Clear | Medium |
| LTD3C4H2W | 4' | 80 | | • | | • | • | 7,100 | 60 | 118 | 100-277 VAC | 5000K (cool white) | Diffused | Medium |
| LTD3N4M2P | 4' | 80 | | • | | • | • | 7,300 | 60 | 122 | 100-277 VAC | 4000K (neutral white) | Clear | Medium |
| LTD3N4H2W | 4' | 80 | | • | | • | • | 6,700 | 60 | 112 | 100-277 VAC | 4000K (neutral white) | Diffused | Medium |
| LTD3C4D2P | 2' | 80 | | • | | • | • | 3,850 | 29 | 133 | 100-277 VAC | 5000K (cool white) | Clear | Medium |
| LTD3C4B2W | 2' | 80 | | • | | • | • | 3,500 | 29 | 121 | 100-277 VAC | 5000K (cool white) | Diffused | Medium |
| LTD3N4D2P | 2' | 80 | | • | | • | • | 3,600 | 29 | 124 | 100-277 VAC | 4000K (neutral white) | Clear | Medium |
| LTD3N4B2W | 2' | 80 | | • | | • | • | 3,300 | 29 | 114 | 100-277 VAC | 4000K (neutral white) | Diffused | Medium |
| Class II, Div. I Models | | | | | | | | | | | | | | |
| LTF3C4M2P | 4' | 80 | | | • | • | • | 7,900 | 60 | 132 | 100-277 VAC | 5000K (cool white) | Clear | Medium |
| LTF3C4H2W | 4' | 80 | | | • | • | • | 7,100 | 60 | 118 | 100-277 VAC | 5000K (cool white) | Diffused | Medium |
| LTF3N4M2P | 4' | 80 | | | • | • | • | 7,300 | 60 | 122 | 100-277 VAC | 4000K (neutral white) | Clear | Medium |
| LTF3N4H2W | 4' | 80 | | | • | • | • | 6,700 | 60 | 112 | 100-277 VAC | 4000K (neutral white) | Diffused | Medium |
| LTF3C4D2P | 2' | 80 | | | • | • | • | 3,850 | 29 | 133 | 100-277 VAC | 5000K (cool white) | Clear | Medium |
| LTF3C4B2W | 2' | 80 | | | • | • | • | 3,500 | 29 | 121 | 100-277 VAC | 5000K (cool white) | Diffused | Medium |
| LTF3N4D2P | 2' | 80 | | | • | • | • | 3,600 | 29 | 124 | 100-277 VAC | 4000K (neutral white) | Clear | Medium |
| LTF3N4B2W | 2' | 80 | | | • | • | • | 3,300 | 29 | 114 | 100-277 VAC | 4000K (neutral white) | Diffused | Medium |

All values typical unless otherwise stated, Lumen values are typical (tolerance +/- 10%).

Part numbers listed in the table above are cool white. For neutral white model, replace the 5th character with N. Ex. LTD3C4D2P becomes LTD3N4D2P



LTXW4

- Mounting bracket
- Can be angled at 0°, 30°, 45°, 60° & 90°



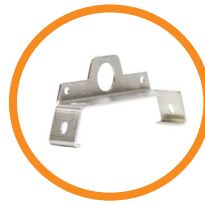
LTXW4LP

- Mounting bracket
- Can be angled at 0° and 15°



LTXSAFEKIT

- Stainless steel safety cable kit for secondary retention



LTXENDCAPKIT

- 304 Stainless steel chain mount and secondary retention bracket



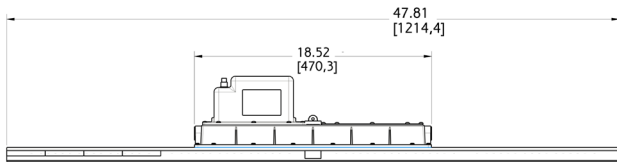
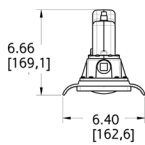
LTXLSXW4

- Retrofit bracket adapter used to connect LTM model fixtures to an existing LSXW4 bracket

DISCLAIMER. All product information provided is, to the best of Dialight's knowledge, accurate as of the date of publication. When ordering, refer to www.dialight.com for current versions of: (a) relevant product documentation (including the relevant product data sheets); (b) Dialight terms and conditions of sale; and, (c) the relevant product warranty. To the extent that any contract is deemed formed between Dialight and the purchaser of Dialight products and/or an end-user, versions of documents available at www.dialight.com as at the date of sale shall be the versions incorporated therein. In the event of any discrepancy between this document or information provided at www.dialight.com, the latter shall prevail.

SafeSite® LED Linear - Battery Backup

Technical Specifications - 5 year warranty



Dimensions in inches [mm]

Temperature Ratings

| Ambient Temperature Range T4A Temperature Code | Ambient Temperature Range T5 Temperature Code |
|---|--|
| -4°F to +149°F (-20°C to +65°C) | -4°F to +113°F (-20°C to +45°C) |

Certifications & Ratings

- UL 1598/A
- UL 844
- UL 924
- CSA C22.2 No. 137
- CSA C22.2 No. 250
- IP66
- Class I, Div. 2 Groups A, B, C & D
- Class II, Div. 1 Groups E, F & G
- Class II, Div. 2 Groups F & G
- Class III
- NEMA 4X

Mechanical Information:

- Fixture weight:** 18 lb (8.2 kg)
- Shipping weight:** 21 lb (9.5 kg)
- Mounting:** (1) Threaded 3/4" NPT side
(2) Threaded 3/4" NPT ends

Electrical Specifications:

- Operating voltage:** 120-277 VAC, 50/60Hz
- Power consumption:** 85W
- Operating temp:** -4°F to +149°F (-20°C to +65°C)
- Battery:** 3.6V 10Ah NiMH
- Expected battery life*:** 3 years
- Battery duration*:** > 3 hours
- Harmonics:** IEC 61000-3-2
- Noise Requirements/EMC:** FCC Title 47, Subpart B, Section 15, Class A device. RF Immunity; 10V/m, 80MHz-1GHz
- Surge protection:** EN 61000-4-5
1 kV line-to-line
2 kV line-to-ground
- THD:** < 20%
- Power factor:** > 0.9

Construction:

- Finish:** Superior dual coat finish
- Sealed polyester topcoat
- Chemical resistant epoxy primer
- Lens:** Polycarbonate

Photometric Information:

- Light output in emergency mode:** 450 lumens
- CRI:** 75
- CCT:** 5000K (cool white)
- IES files:** available at www.dialight.com

All values typical unless otherwise stated (tolerance +/- 10%)

* @ 25°C ambient

WARNING - INSTALLATION & SECONDARY RETENTION. Use of any Dialight products without proper installation (including secondary retention / netting) and periodic inspections could cause severe injury or death. Dialight recommends that all installations should use secondary retention / netting (appropriate to the installation environment) where applicable. It is the exclusive responsibility of the contractor, installer and/or end-user to: (a) determine the suitability of the product for its intended application; and, (b) ensure that the product is safely installed (with secondary retention / netting where appropriate) and in compliance with all applicable laws and regulations. To the extent permissible under applicable laws, Dialight disclaims all liability for personal injury and/or other damage resulting from any dislodgment or other dislocation of its products.

SafeSite® LED Linear - Battery Backup

Ordering Information & Accessories - 5 year warranty

Classifications: CID2 A, B, C, D • CIID1 E, F, G • CIID2 F, G • CIID1 • CIID2

This fixture is offered in sustained and maintained configurations.

Sustained has a single AC input and battery backup mode is entered upon any loss of power. Fixture cannot be turned off without entering battery backup mode. Maintained has two AC inputs. The fixture can be turned on and off via AC-1 and Fixture only enters battery backup mode when AC-2 is lost or low.

| Part Number | Length | CRI | Type | CID2 | CIID1 | CIID2 | CIII | Voltage | Lens | CCT | Fixture Lumens | Watt | lm/W | Beam Distribution |
|------------------------|--------|-----|------------|------|-------|-------|------|-------------|-------|--------------------|----------------|------|------|-------------------|
| Class I, Div. 2 Models | | | | | | | | | | | | | | |
| LSD3C4MEP | 4' | 75 | Sustained | • | | | | 120-277 VAC | Clear | 5000K (cool white) | 7,000 | 85 | 82 | Medium |
| LSD3C4MNP | 4' | 75 | Maintained | • | | | | 120-277 VAC | Clear | 5000K (cool white) | 7,000 | 85 | 82 | Medium |
| Class II Models | | | | | | | | | | | | | | |
| LSF3C4MEP | 4' | 75 | Sustained | | • | • | • | 120-277 VAC | Clear | 5000K (cool white) | 7,000 | 85 | 82 | Medium |
| LSF3C4MNP | 4' | 75 | Maintained | | • | • | • | 120-277 VAC | Clear | 5000K (cool white) | 7,000 | 85 | 82 | Medium |

All values typical unless otherwise stated, Lumen values are typical (tolerance +/- 10%). Part numbers listed in the above table are cool white. For neutral white models replace the 5th character with N. Ex. LSF3C4MEP becomes LSF3N4MEP



LSXW4

- Mounting bracket
- Can be angled at 0°, 30°, 45°, 60° & 90°



LSXENDCAPKIT

- Chain mount brackets



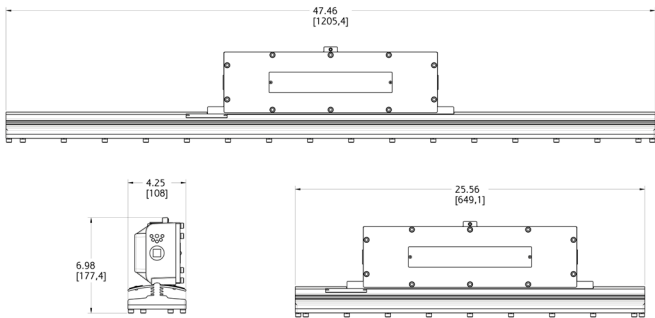
HZXSAFEKIT

- Safety cable kit

DISCLAIMER. All product information provided is, to the best of Dialight's knowledge, accurate as of the date of publication. When ordering, refer to www.dialight.com for current versions of: (a) relevant product documentation (including the relevant product data sheets); (b) Dialight terms and conditions of sale; and, (c) the relevant product warranty. To the extent that any contract is deemed formed between Dialight and the purchaser of Dialight products and/or an end-user, versions of documents available at www.dialight.com as at the date of sale shall be the versions incorporated therein. In the event of any discrepancy between this document or information provided at www.dialight.com, the latter shall prevail.

SafeSite® LED Linear - Class I, Div. 1

Technical Specifications - 5 year warranty



Dimensions in inches [mm]

Temperature Ratings

| Ambient Temperature Range T4A Temperature Code | Ambient Temperature Range T5 Temperature Code |
|---|--|
| -40°F to +149°F (-40°C to +65°C) | -40°F to +113°F (-40°C to +45°C) |

Certifications & Ratings

- UL1598
- UL844
- CSA C22.2 No. 137
- Class I, Div. 1 Groups C & D
- IP66
- NEMA 4X

Mechanical Information:

- Fixture weight:** 4' - 26 lb (11.8 kg)
2' - 17.5 lb (7.9 kg)
- Shipping weight:** 4' - 28 lb (12.7 kg)
2' - 19.5 lb (8.8 kg)
- Mounting:** (1) Threaded 3/4" NPT side
(2) Threaded 3/4" NPT ends

Electrical Specifications:

- Operating voltage:** 100-277 VAC, 50/60Hz or 347/480 VAC, 50/60Hz
- Power consumption:** See ordering information
- Operating temp:** -40°F to +149°F (-40°C to +65°C)
- Harmonics:** IEC 61000-3-2
- Noise Requirements/EMC:** FCC Title 47, Subpart B, Section 15, Class A device. RF Immunity; 10V/m, 80MHz-1GHz
- Surge protection:** EN 61000-4-5
4 kV line-to-line
4 kV line-to-ground
- THD:** < 20%
- Power factor:** > 0.9

Construction:

- Finish:** Superior dual coat finish
- Sealed polyester topcoat
- Chemical resistant epoxy primer
- Lens:** Tempered Glass

Photometric Information:

- CRI:** 75
- CCT:** 5000K (cool white)
400K (neutral white)
- IES files:** Available upon request

All values typical unless otherwise stated (tolerance +/- 10%)

WARNING - INSTALLATION & SECONDARY RETENTION. Use of any Dialight products without proper installation (including secondary retention / netting) and periodic inspections could cause severe injury or death. Dialight recommends that all installations should use secondary retention / netting (appropriate to the installation environment) where applicable. It is the exclusive responsibility of the contractor, installer and/or end-user to: (a) determine the suitability of the product for its intended application; and, (b) ensure that the product is safely installed (with secondary retention / netting where appropriate) and in compliance with all applicable laws and regulations. To the extent permissible under applicable laws, Dialight disclaims all liability for personal injury and/or other damage resulting from any dislodgment or other dislocation of its products.

SafeSite® LED Linear - Class I, Div. 1

Ordering Information & Accessories - 5 year warranty

Classifications: CID1 C, D

| Part Number | Length | CRI | CID1 | CID2 | CIID1 | CIID2 | CIII | Voltage | Lens | CCT | Fixture Lumens | Watt | lm/W | Beam Distribution |
|---------------------------|--------|-----|------|------|-------|-------|------|-------------|----------------|--------------------|----------------|------|------|-------------------|
| 100-277 VAC Models | | | | | | | | | | | | | | |
| LSC3C4M3GEX | 4' | 75 | • | | | | | 100-277 VAC | Tempered glass | 5000K (cool white) | 7,250 | 68 | 106 | Medium |
| LSC3C4D3GEX | 2' | 75 | • | | | | | 100-277 VAC | Tempered glass | 5000K (cool white) | 3,600 | 34 | 106 | Medium |
| 347/480 VAC Models | | | | | | | | | | | | | | |
| LSC3C5M3GEX | 4' | 75 | • | | | | | 347/480 VAC | Tempered glass | 5000K (cool white) | 7,250 | 100 | 72 | Medium |
| LSC3C5D3GEX | 2' | 75 | • | | | | | 347/480 VAC | Tempered glass | 5000K (cool white) | 3,600 | 50 | 72 | Medium |

All values typical unless otherwise stated, Lumen values are typical (tolerance +/- 10%).

Part numbers listed in the table above are cool white. For neutral white, model replace the 5th character with N. Ex. LSC3C4D3GEX becomes LSC3N4D3GEX



LSXW5

- Aluminum mounting bracket
- Can be angled at 0°, 30°, 45°, 60° & 90



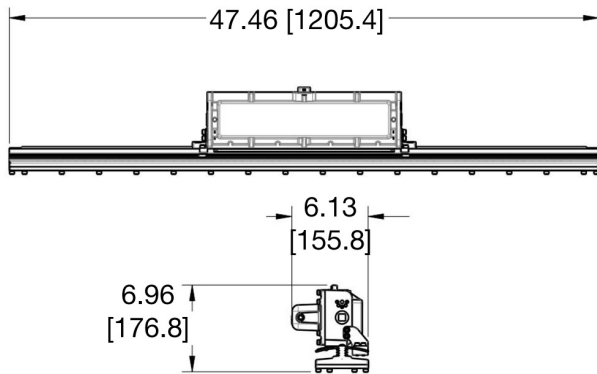
HZXSAFEKIT

- Stainless steel safety cable kit

DISCLAIMER. All product information provided is, to the best of Dialight's knowledge, accurate as of the date of publication. When ordering, refer to www.dialight.com for current versions of: (a) relevant product documentation (including the relevant product data sheets); (b) Dialight terms and conditions of sale; and, (c) the relevant product warranty. To the extent that any contract is deemed formed between Dialight and the purchaser of Dialight products and/or an end-user, versions of documents available at www.dialight.com as at the date of sale shall be the versions incorporated therein. In the event of any discrepancy between this document or information provided at www.dialight.com, the latter shall prevail.

SafeSite® LED Linear - Battery Backup - Class I, Div. 1

Technical Specifications - 5 year warranty



Dimensions in inches [mm]

Temperature Ratings

Ambient Temperature Range T4A Temperature Code

-4°F to +149°F (-20°C to +65°C)

Certifications & Ratings

- UL 1598/A
- UL 844
- CSA C22.2 No. 137
- CSA C22.2 No. 250
- Class I, Div. 1 Groups C & D
- Class I, Div. 2 Groups A, B, C & D
- IP66
- NEMA 4X

Mechanical Information:

| | |
|-------------------------|--|
| Fixture weight: | 32 lb (14.5 kg) |
| Shipping weight: | 35 lb (15.9 kg) |
| Mounting: | (1) Threaded 3/4" NPT side (2) Threaded 3/4" NPT ends |

Electrical Specifications:

| | |
|--------------------------------------|---|
| Operating voltage: | 120-277 VAC, 50/60Hz |
| Power consumption: | 85W |
| Operating temp: | -4°F to +149°F (-20°C to +65°C) |
| Battery: | 3.6V 10Ah NiMH |
| Expected battery life*: | 3 years |
| Lumen output in battery mode: | 500lm |
| Battery duration*: | > 3 hours |
| Harmonics: | IEC 61000-3-2 |
| Noise Requirements/EMC: | FCC Title 47, Subpart B, Section 15, Class A device. RF Immunity; 10V/m, 80MHz-1GHz |
| Surge protection: | EN 61000-4-5 1 kV line-to-line 2 kV line-to-ground |
| THD: | < 20% |
| Power factor: | > 0.9 |

Construction:

| | |
|----------------|--|
| Finish: | Superior dual coat finish - Sealed polyester topcoat - Chemical resistant epoxy primer |
| Lens: | Tempered glass |

Photometric Information:

| | |
|-------------------|---|
| CRI: | 75 |
| CCT: | 5000K (cool white) |
| IES files: | available at www.dialight.com |

All values typical unless otherwise stated (tolerance +/- 10%)

* @ 25°C ambient

SafeSite® LED Linear - Battery Backup - Class I, Div. 1

Ordering Information & Accessories - 5 year warranty

Classifications: CID1 Groups C, D

| Part Number | Length | CRI | Type | CID1 | CID2 | CIID1 | CIID2 | CIIL | Voltage | Lens | CCT | Fixture Lumens | Watt | lm/W | Beam Distribution |
|-----------------------|--------|-----|-----------|------|------|-------|-------|------|-------------|-------|--------------------|----------------|------|------|-------------------|
| Class I, Div. 1 Model | | | | | | | | | | | | | | | |
| LSC3C4MEGEX | 4' | 75 | Sustained | • | • | | | | 120-277 VAC | Clear | 5000K (cool white) | 7,250 | 85 | 85 | Medium |

All values typical unless otherwise stated (tolerance +/- 10%).

Part numbers listed in the table above are cool white. For neutral white models, replace the 5th character with an **N**.



LSXW5

- Aluminum mounting bracket
- Can be angled at 0°, 30°, 45°, 60° & 90



HZXSAFEKIT

- Stainless steel safety cable kit

DISCLAIMER. All product information provided is, to the best of Dialight's knowledge, accurate as of the date of publication. When ordering, refer to www.dialight.com for current versions of: (a) relevant product documentation (including the relevant product data sheets); (b) Dialight terms and conditions of sale; and, (c) the relevant product warranty. To the extent that any contract is deemed formed between Dialight and the purchaser of Dialight products and/or an end-user, versions of documents available at www.dialight.com as at the date of sale shall be the versions incorporated therein. In the event of any discrepancy between this document or information provided at www.dialight.com, the latter shall prevail.

SafeSite® LED Wallpack / Bulkhead

Technical Specifications



Ratings and Certifications

- UL 1598/A
- CSA C22.2 No. 250
- IP66/67
- RoHS compliant
- CID2 A,B,C,D
- CID2 F,G
- 5 year warranty
- L70 rated for >150,000 hours

*All features not available on every model. Please refer to product part number pages for model specifics.

Temperature Ratings

Ambient Temperature Range T4A Temperature Code

| | |
|----------------------------------|----------------------------------|
| 11W / 22W | 34W |
| -40°F to +140°F (-40°C to +60°C) | -40°F to +122°F (-40°C to +50°C) |

Specifications

| | | | |
|-------------------------|----------------------------------|--------------------------|---|
| Voltage options: | 100-277 VAC | Housing: | Copper-free LM6 cast aluminum |
| Operating temp: | | Lens: | Tempered glass |
| 11W / 22W | -40°F to +140°F (-40°C to +60°C) | CRI: | 75 |
| 34W | -40°F to +122°F (-40°C to +50°C) | CCT: | 5650K (cool white) 4300K (neutral white) |
| Power factor: | >0.9 | Surge protection: | 1kV line-to-line, 2kV line-to-ground |
| THD: | <20% | | |

Mechanical Information

| | |
|-------------------------|---|
| Fixture weight: | 11 lb (5.0 kg) |
| Shipping weight: | 16 lb (7.3 kg) |
| Cable entry: | All cable entries are drilled and tapped (see ordering options) |
| Mounting: | Secondary retention not available |

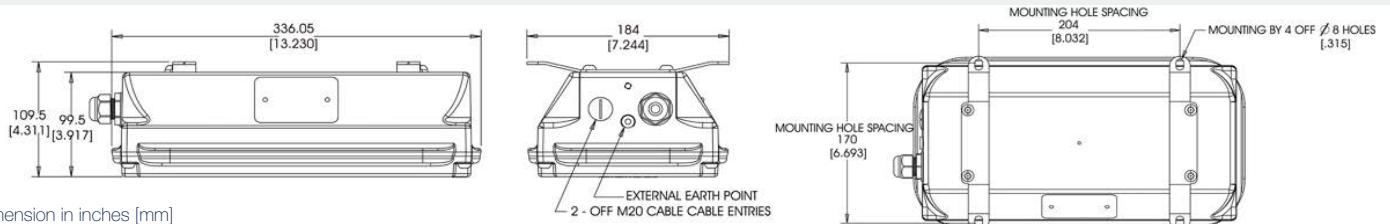
Comparison

| | Warranty | L70 | T-Rating |
|--------------------------------|----------|----------|----------|
| Dialight LED Wallpack/Bulkhead | 5yr | >150,000 | T6 |
| Metal Halide | 1 | 6,000 | T2 |
| High Pressure Sodium | 1 | 20,000 | T2A |

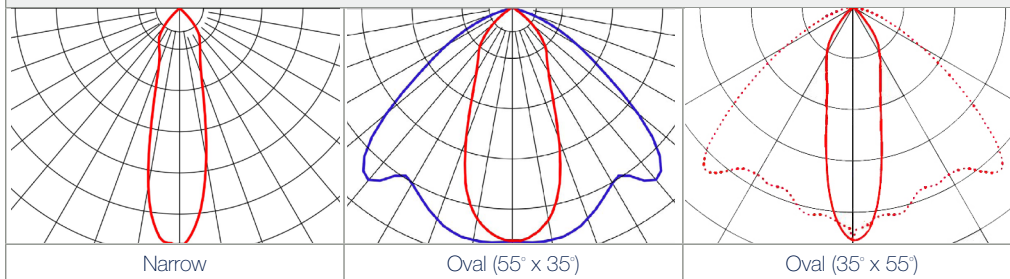
Lumens Wattage lm/W Mounting Heights

| Lumens | Wattage | lm/W | Mounting Heights |
|--------|---------|------|------------------|
| 2,250 | 34 | 66 | 20' |
| 2,150 | 34 | 63 | ↕ |
| 1,200 | 22 | 55 | |
| 600 | 11 | 55 | 10' |

Dimensions



Beam Distribution



Entry Options

| | | | |
|--|--|---|--|
| | | | |
| Standard Option 2 Entries One Side | Option "E" 2 Entries One Side, 1 Entry Opposite Side. Add E to the end of the order code | Option "R" Add R to the end of the order code | Option "H" 2 Entries One Side, 2 Entries Opposite Side and 1 Entry in the Rear Add H to the end of the order code |

WARNING - INSTALLATION & SECONDARY RETENTION. Use of any Dialight products without proper installation (including secondary retention / netting) and periodic inspections could cause severe injury or death. Dialight recommends that all installations should use secondary retention / netting (appropriate to the installation environment) where applicable. It is the exclusive responsibility of the contractor, installer and/or end-user to: (a) determine the suitability of the product for its intended application; and, (b) ensure that the product is safely installed (with secondary retention / netting where appropriate) and in compliance with all applicable laws and regulations. To the extent permissible under applicable laws, Dialight disclaims all liability for personal injury and/or other damage resulting from any dislodgment or other dislocation of its products.

SafeSite® LED Wallpack / Bulkhead

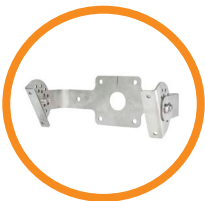
Ordering Information & Accessories

Classifications: CID2 Groups A, B, C, D • CIID2 F, G

| Part Number | Bracket | CID1 | CID2 | CIID1 | CIID2 | CIID3 | Voltage | Lens | CCT | Fixture Lumens | Watt | lm/W | Beam Distribution |
|--------------------------------------|----------|------|------|-------|-------|-------|-------------|------------------------|--------------------|----------------|------|------|-------------------|
| Standard Models - 100-277 VAC | | | | | | | | | | | | | |
| WPC4C3LALGC | Angle | | • | | • | | 100-277 VAC | Clear tempered glass | 5650K (cool white) | 2,250 | 34 | 66 | Oval (35° x 55°) |
| WPC4C3LFLGC | Flush | | • | | • | | 100-277 VAC | Clear tempered glass | 5650K (cool white) | 2,250 | 34 | 66 | Oval (35° x 55°) |
| WPC2C3LNLGC | Standard | | • | | • | | 100-277 VAC | Clear tempered glass | 5650K (cool white) | 2,250 | 34 | 66 | Narrow |
| WPC5C3LFLGCE | Flush | | • | | • | | 100-277 VAC | Clear tempered glass | 5650K (cool white) | 2,150 | 34 | 63 | Oval (55° x 35°) |
| WPC5C3LFLGC | Flush | | • | | • | | 100-277 VAC | Clear tempered glass | 5650K (cool white) | 2,150 | 34 | 63 | Oval (55° x 35°) |
| WPC5C3LNLGC | Standard | | • | | • | | 100-277 VAC | Clear tempered glass | 5650K (cool white) | 2,150 | 34 | 63 | Oval (55° x 35°) |
| WPC5C3HALGF | Angle | | • | | • | | 100-277 VAC | Frosted tempered glass | 5650K (cool white) | 1,200 | 22 | 55 | Oval (55° x 35°) |
| WPC2C3HALGC | Angle | | • | | • | | 100-277 VAC | Clear tempered glass | 5650K (cool white) | 1,200 | 22 | 55 | Narrow |
| WPC2C3HALGF | Angle | | • | | • | | 100-277 VAC | Frosted tempered glass | 5650K (cool white) | 1,200 | 22 | 55 | Narrow |
| WPC2C3HFLGC | Flush | | • | | • | | 100-277 VAC | Clear tempered glass | 5650K (cool white) | 1,200 | 22 | 55 | Narrow |
| WPC2C3HFLGF | Flush | | • | | • | | 100-277 VAC | Frosted tempered glass | 5650K (cool white) | 1,200 | 22 | 55 | Narrow |
| WPC4C3HALGC | Angle | | • | | • | | 100-277 VAC | Clear tempered glass | 5650K (cool white) | 1,200 | 22 | 55 | Oval (35° x 55°) |
| WPC4C3HALGF | Angle | | • | | • | | 100-277 VAC | Frosted tempered glass | 5650K (cool white) | 1,200 | 22 | 55 | Oval (35° x 55°) |
| WPC4C3HFLGC | Flush | | • | | • | | 100-277 VAC | Clear tempered glass | 5650K (cool white) | 1,200 | 22 | 55 | Oval (35° x 55°) |
| WPC5C3HNLGF | Standard | | • | | • | | 100-277 VAC | Frosted tempered glass | 5650K (cool white) | 1,200 | 22 | 55 | Oval (35° x 55°) |
| WPC2C3HNLGC | Standard | | • | | • | | 100-277 VAC | Clear tempered glass | 5650K (cool white) | 1,200 | 22 | 55 | Narrow |
| WPC4C3HNLGC | Standard | | • | | • | | 100-277 VAC | Clear tempered glass | 5650K (cool white) | 1,200 | 22 | 55 | Oval (35° x 55°) |
| WPC2C3CALGC | Angle | | • | | • | | 100-277 VAC | Clear tempered glass | 5650K (cool white) | 600 | 11 | 55 | Narrow |
| WPC4C3CALGC | Angle | | • | | • | | 100-277 VAC | Clear tempered glass | 5650K (cool white) | 600 | 11 | 55 | Oval (35° x 55°) |
| WPC4C3CALGF | Angle | | • | | • | | 100-277 VAC | Frosted tempered glass | 5650K (cool white) | 600 | 11 | 55 | Oval (35° x 55°) |
| WPC2C3CNLGC | Standard | | • | | • | | 100-277 VAC | Clear tempered glass | 5650K (cool white) | 600 | 11 | 55 | Narrow |

All values typical unless otherwise stated (tolerance +/- 10%).

Part numbers listed in the table above come with (2) M20 entries on one side. For through wiring models, add an **E** to the end of the part number. For rear entry option, add an **R** to the end of the part number. For 3/4" NPT-threaded entries, add a **5** to the end of the part number.



WP-BRKT-SSAD-J

- Adjustable bracket

WP-BRKT-LG-PF

- Pipe and flush bracket



WP-STMB-LG00-22

- 1 1/2" BSP-threaded straight stanchion mounting bracket

WP-STMB-LG00-24

- 1 1/2" NPT-threaded straight stanchion mounting bracket



WP-STMB-LG85-22

- 1 1/2" BSP-threaded 85° stanchion mounting bracket

WP-STMB-LG85-24

- 1 1/2" NPT-threaded 85° stanchion mounting bracket



WP-STMB-LG25-22

- 1 1/2" BSP-threaded 25° stanchion mounting bracket

WP-STMB-LG25-24

- 1 1/2" NPT-threaded 25° stanchion mounting bracket

DISCLAIMER. All product information provided is, to the best of Dialight's knowledge, accurate as of the date of publication. When ordering, refer to www.dialight.com for current versions of: (a) relevant product documentation (including the relevant product data sheets); (b) Dialight terms and conditions of sale; and, (c) the relevant product warranty. To the extent that any contract is deemed formed between Dialight and the purchaser of Dialight products and/or an end-user, versions of documents available at www.dialight.com as at the date of sale shall be the versions incorporated therein. In the event of any discrepancy between this document or information provided at www.dialight.com, the latter shall prevail.

SafeSite® LED RTO Area Light

Technical Specifications



Ratings and Certifications

| | |
|-------------------------|--------------------------------|
| • UL 1598/A | • UL 50E |
| • UL 844 | • CID2 A,B,C,D |
| • CSA C22.2 No. 250 | • CID1 E,F,G |
| • CSA C22.2 No. 137-M81 | • CID2 F,G |
| • IP66 | • 5 year warranty |
| • NEMA 4X | • L70 rated for >150,000 hours |

*All features not available on every model. Please refer to product part number pages for model specifics.

Temperature Ratings

Ambient Temperature Range T3C Temperature Code

-40°F to +131°F (-40°C to +55°C)

Mechanical Information

| | |
|--|--|
| Fixture weight: | |
| RTO0Wxx001: | 2.5 lb (1.13 kg) |
| RTO0Wxx005: | 3.2 lb (1.45 kg) |
| RTO0Wxx004: | 0.8 lb (0.36 kg) |
| Shipping weight: | |
| RTO0Wxx001: | 3.0 lb (1.36 kg) |
| RTO0Wxx005: | 4.5 lb (2.04 kg) |
| RTO0Wxx004: | 1.4 lb (0.64 kg) |
| Mounting: Secondary retention not available | |
| Pendant mount: | 1" & 3/4" NPT reducer bi-directional mounting |
| Ceiling mount: | 3/4" NPT 5-way surface mounting |
| Pendant mount: | 3/4" NPT-threaded conduit |

Specifications

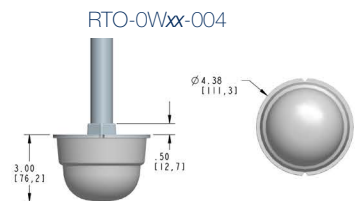
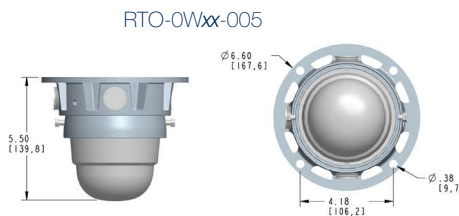
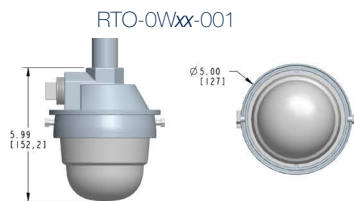
| | | | |
|-------------------------|------------------|--------------------------|----------------------|
| Voltage options: | 100-277 VAC | Housing: | Copper-free aluminum |
| | 24 - 48 VDC | | Lens: |
| Operating temp: | -40°F to +133°F | CRI: | 75 |
| | (-40°C to +55°C) | | CCT: |
| Power factor: | >0.9 | Surge protection: | 1kV line-to-line |
| THD: | <20% | | 2kV line-to-ground |

Comparison

| | Warranty | L70 | T-Rating |
|-----------------------------|----------|----------|----------|
| Dialight LED RTO Area Light | 5yr | >150,000 | T3C |
| Incandescent | 1 | 6,000 | T2B |
| CFL | 1 | 20,000 | T3 |

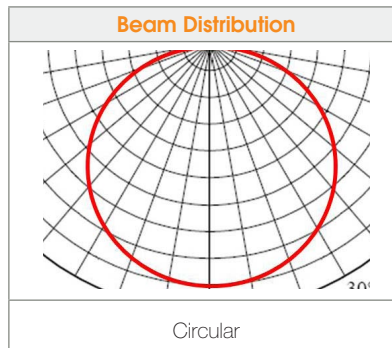
| Lumens | Wattage | lm/W | Mounting Heights |
|--------|---------|------|------------------|
| 800 | 8 | 100 | 15' and lower |
| 470 | 8 | 59 | |

Dimensions



Dimensions in mm [inches]

Beam Distribution



WARNING - INSTALLATION & SECONDARY RETENTION. Use of any Dialight products without proper installation (including secondary retention / netting) and periodic inspections could cause severe injury or death. Dialight recommends that all installations should use secondary retention / netting (appropriate to the installation environment) where applicable. It is the exclusive responsibility of the contractor, installer and/or end-user to: (a) determine the suitability of the product for its intended application; and, (b) ensure that the product is safely installed (with secondary retention / netting where appropriate) and in compliance with all applicable laws and regulations. To the extent permissible under applicable laws, Dialight disclaims all liability for personal injury and/or other damage resulting from any dislodgment or other dislocation of its products.

SafeSite® LED RTO Area Light

Ordering Information & Accessories

Classifications: CID2 Groups A, B, C, D • CIID1 E,F,G • CIID2 F,G

| Part Number | Type | CID1 | CID2 | CIID1 | CIID2 | CIII | Voltage | Lens | CCT | Fixture Lumens | Watt | lm/W | Beam Distribution |
|--------------------------------------|---------------------------------|------|------|-------|-------|------|-------------|---------------|--------------------|----------------|------|------|-------------------|
| Standard Models - 100-277 VAC | | | | | | | | | | | | | |
| RTODW17005 | Ceiling mount with junction box | | | • | • | | 100-277 VAC | Polycarbonate | 6000K (cool white) | 800 | 8 | 100 | Circular |
| RTODW17004 | Pendant mount | | | • | • | | 100-277 VAC | Polycarbonate | 6000K (cool white) | 800 | 8 | 100 | Circular |
| RTODW17001 | Pendant mount with junction box | | | • | • | | 100-277 VAC | Polycarbonate | 6000K (cool white) | 800 | 8 | 100 | Circular |
| RTO2W17005 | Ceiling mount with junction box | | • | | | | 100-277 VAC | Polycarbonate | 6000K (cool white) | 800 | 8 | 100 | Circular |
| RTO2W17004 | Pendant mount | | • | | | | 100-277 VAC | Polycarbonate | 6000K (cool white) | 800 | 8 | 100 | Circular |
| RTO2W17001 | Pendant mount with junction box | | • | | | | 100-277 VAC | Polycarbonate | 6000K (cool white) | 800 | 8 | 100 | Circular |
| RTODW07005 | Ceiling mount with junction box | | | • | • | | 100-277 VAC | Polycarbonate | 6000K (cool white) | 470 | 8 | 59 | Circular |
| RTODW07004 | Pendant mount | | | • | • | | 100-277 VAC | Polycarbonate | 6000K (cool white) | 470 | 8 | 59 | Circular |
| RTODW07001 | Pendant mount with junction box | | | • | • | | 100-277 VAC | Polycarbonate | 6000K (cool white) | 470 | 8 | 59 | Circular |
| RTO2W07005 | Ceiling mount with junction box | | • | | | | 100-277 VAC | Polycarbonate | 6000K (cool white) | 470 | 8 | 59 | Circular |
| RTO2W07004 | Pendant mount | | • | | | | 100-277 VAC | Polycarbonate | 6000K (cool white) | 470 | 8 | 59 | Circular |
| RTO2W07001 | Pendant mount with junction box | | • | | | | 100-277 VAC | Polycarbonate | 6000K (cool white) | 470 | 8 | 59 | Circular |
| Standard Models - 24-48 VDC | | | | | | | | | | | | | |
| RTODW18005 | Ceiling mount with junction box | | | • | • | | 24-48 VDC | Polycarbonate | 6000K (cool white) | 800 | 8 | 100 | Circular |
| RTODW18004 | Pendant mount | | | • | • | | 24-48 VDC | Polycarbonate | 6000K (cool white) | 800 | 8 | 100 | Circular |
| RTODW18001 | Pendant mount with junction box | | | • | • | | 24-48 VDC | Polycarbonate | 6000K (cool white) | 800 | 8 | 100 | Circular |
| RTO2W18005 | Ceiling mount with junction box | | • | | | | 24-48 VDC | Polycarbonate | 6000K (cool white) | 800 | 8 | 100 | Circular |
| RTO2W18004 | Pendant mount | | • | | | | 24-48 VDC | Polycarbonate | 6000K (cool white) | 800 | 8 | 100 | Circular |
| RTO2W18001 | Pendant mount with junction box | | • | | | | 24-48 VDC | Polycarbonate | 6000K (cool white) | 800 | 8 | 100 | Circular |
| RTODW08005 | Ceiling mount with junction box | | | • | • | | 24-48 VDC | Polycarbonate | 6000K (cool white) | 470 | 8 | 59 | Circular |
| RTODW08004 | Pendant mount | | | • | • | | 24-48 VDC | Polycarbonate | 6000K (cool white) | 470 | 8 | 59 | Circular |
| RTODW08001 | Pendant mount with junction box | | | • | • | | 24-48 VDC | Polycarbonate | 6000K (cool white) | 470 | 8 | 59 | Circular |
| RTO2W08005 | Ceiling mount with junction box | | • | | | | 24-48 VDC | Polycarbonate | 6000K (cool white) | 470 | 8 | 59 | Circular |
| RTO2W08004 | Pendant mount | | • | | | | 24-48 VDC | Polycarbonate | 6000K (cool white) | 470 | 8 | 59 | Circular |
| RTO2W08001 | Pendant mount with junction box | | • | | | | 24-48 VDC | Polycarbonate | 6000K (cool white) | 470 | 8 | 59 | Circular |

All values typical unless otherwise stated (tolerance +/- 10%).



Pendant Mount

- 3/4" NPT-threaded conduit



Pendant Mount with Junction Box

- 1" & 3/4" NPT reducer bi-directional mounting



Ceiling Mount with Junction Box

- 3/4" 5-way surface mounting



RTO1000

- Flush wall mount



RTO1001

- Junction box wall mount

DISCLAIMER. All product information provided is, to the best of Dialight's knowledge, accurate as of the date of publication. When ordering, refer to www.dialight.com for current versions of: (a) relevant product documentation (including the relevant product data sheets); (b) Dialight terms and conditions of sale; and, (c) the relevant product warranty. To the extent that any contract is deemed formed between Dialight and the purchaser of Dialight products and/or an end-user, versions of documents available at www.dialight.com as at the date of sale shall be the versions incorporated therein. In the event of any discrepancy between this document or information provided at www.dialight.com, the latter shall prevail.

StreetSense® LED Streetlight

Technical Specifications



Ratings and Certifications

- UL 1598/A
- UL 1012
- UL 1449
- 7 year warranty
- NEMA 4X
- IP66
- CSA C22.2 No. 250-08
- L70 rated for >150,000 hours

*All features not available on every model. Please refer to product part number pages for model specifics.

Mechanical Information

| | |
|-------------------------|---|
| Fixture weight: | |
| 65W/83W: | 16 lb (7.3 kg) |
| 131W/165W: | 25 lb (11.3 kg) |
| 190W/252W: | 34 lb (15.4 kg) |
| Shipping weight: | |
| 65W/83W: | 21 lb (9.5 kg) |
| 131W/165W: | 30 lb (13.6 kg) |
| 190W/252W: | 39 lb (17.7 kg) |
| Mounting: | Accommodates 1.25" (1.66" OD) - 2" (2.375" OD) 31.75mm (42.16mm OD) - 50.8mm (60.32mm OD) pipe. Provision for adjustment of +/- 5° at 2.5° increments |
| | Secondary retention standard |

Specifications

| | | | |
|--------------------------|---|---------------------|---|
| Voltage options: | 100-277 VAC 347-480 VAC | Housing: | Copper-free aluminum |
| Operating temp: | -40°F to +149°F (-40°C to +65°C) | Lens: | Tempered glass |
| Power factor: | >0.9 | CRI: | 75 |
| THD: | <20% | CCT: | 5000K (cool white) 4300K (neutral white) |
| Surge protection: | Open circuit surge protection 10kV standard per ANSI/IEEE C62.41. 2.2002 cat C high | EPA (Sq. ft) | |
| | | 65W / 83W: | 0.60 |
| | | 131W / 165W: | 0.87 |
| | | 190W / 252W: | 1.13 |

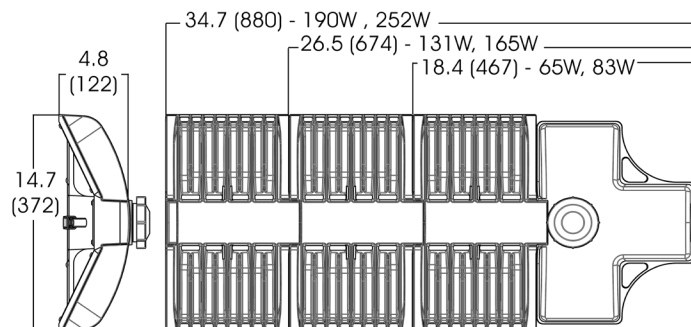
Comparison

| | Warranty | L70 |
|---------------------------|----------|----------|
| Dialight LED Street Light | 7yr | >150,000 |
| Metal Halide | 1 | 6,000 |
| High Pressure Sodium | 1 | 20,000 |

Lumens Wattage lm/W Mounting Heights

| Lumens | Wattage | lm/W | Mounting Heights |
|--------|---------|------|------------------|
| 20,250 | 252 | 80 | 50' |
| 16,000 | 190 | 84 | |
| 13,300 | 165 | 81 | |
| 10,900 | 131 | 83 | |
| 6,800 | 83 | 82 | |
| 5,500 | 65 | 85 | |
| | | | 15' |

Dimensions



Dimension in inches [mm]

WARNING - INSTALLATION & SECONDARY RETENTION. Use of any Dialight products without proper installation (including secondary retention / netting) and periodic inspections could cause severe injury or death. Dialight recommends that all installations should use secondary retention / netting (appropriate to the installation environment) where applicable. It is the exclusive responsibility of the contractor, installer and/or end-user to: (a) determine the suitability of the product for its intended application; and, (b) ensure that the product is safely installed (with secondary retention / netting where appropriate) and in compliance with all applicable laws and regulations. To the extent permissible under applicable laws, Dialight disclaims all liability for personal injury and/or other damage resulting from any dislodgment or other dislocation of its products.

StreetSense® LED Streetlight

Ordering Information & Accessories

| Part Number | Number of Light Engines | EPA (SQ. ft) | Lens | CCT | Fixture Lumens | Wattage | LPW | Optical Pattern |
|--------------------------------------|-------------------------|--------------|----------------|--------------------|----------------|---------|-----|-----------------|
| Standard Models - 100-277 VAC | | | | | | | | |
| SL3C5SLGG | 3 | 1.13 | Tempered glass | 5000K (cool white) | 23,400 | 228 | 103 | Type III |
| SL3C5RLGG | 3 | 1.13 | Tempered glass | 5000K (cool white) | 18,700 | 182 | 103 | Type III |
| SL3C5ILGG | 2 | 0.87 | Tempered glass | 5000K (cool white) | 15,600 | 156 | 100 | Type III |
| SL3C5HLGG | 2 | 0.87 | Tempered glass | 5000K (cool white) | 12,500 | 125 | 100 | Type III |
| SL3C5DLGG | 1 | 0.60 | Tempered glass | 5000K (cool white) | 7,800 | 78 | 100 | Type III |
| SL3C5CLGG | 1 | 0.60 | Tempered glass | 5000K (cool white) | 6,400 | 62 | 103 | Type III |
| Standard Models - 347-480 VAC | | | | | | | | |
| SL3C7SLGG | 3 | 1.13 | Tempered glass | 5000K (cool white) | 22,000 | 218 | 101 | Type III |
| SL3C7RLGG | 3 | 1.13 | Tempered glass | 5000K (cool white) | 18,900 | 180 | 105 | Type III |
| SL3C7ILGG | 2 | 0.87 | Tempered glass | 5000K (cool white) | 15,700 | 154 | 102 | Type III |
| SL3C7HLGG | 2 | 0.87 | Tempered glass | 5000K (cool white) | 12,500 | 121 | 103 | Type III |
| SL3C7DLGG | 1 | 0.6 | Tempered glass | 5000K (cool white) | 7,800 | 77 | 102 | Type III |
| SL3C7CLGG | 1 | 0.6 | Tempered glass | 5000K (cool white) | 6,400 | 61 | 106 | Type III |

All values typical unless otherwise stated (tolerance +/- 10%).

Part numbers listed in the table above are cool white. For neutral white models, replace the 4th character with an **N**.



SLSHIELDKIT

- House side shield



SL-PC01R

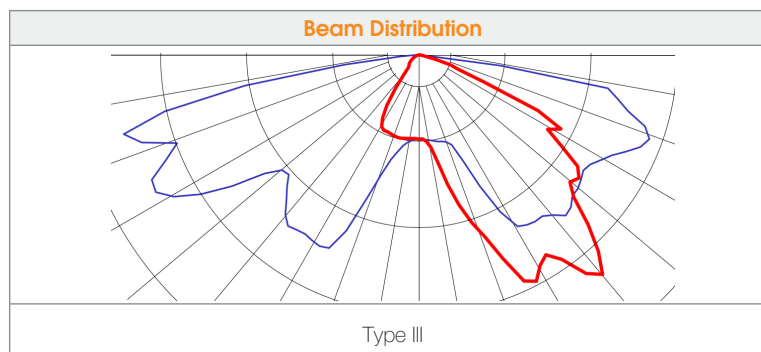
- 105 - 305V AC Photocontroller

SL-PC02R

- 312 - 382V AC Photocontroller

SL-PC03R

- 432 - 528V AC Photocontroller



DISCLAIMER. All product information provided is, to the best of Dialight's knowledge, accurate as of the date of publication. When ordering, refer to www.dialight.com for current versions of: (a) relevant product documentation (including the relevant product data sheets); (b) Dialight terms and conditions of sale; and, (c) the relevant product warranty. To the extent that any contract is deemed formed between Dialight and the purchaser of Dialight products and/or an end-user, versions of documents available at www.dialight.com as at the date of sale shall be the versions incorporated therein. In the event of any discrepancy between this document or information provided at www.dialight.com, the latter shall prevail.

Obstruction LED Lighting Solutions

FAA Approved Obstruction Lighting Solutions



Red LED Systems: L-864 and L-810

Features & Benefits

- Infrared (IR) models available for improved visibility to night vision goggles
- Integrated controller
- 5 year warranty
- Universal 120-240 VAC input
- Controller can be mounted at the base of the structure
- NEMA 4X outdoor rated enclosure
- Wide temperature range: -40°C to +55°C
- Configurable flash rates (20, 30, or 40 flashes per minute)
- Ability to operate lights in steady or flashing mode
- Optional infrared light fixtures
- Light weight design
- Low power consumption
- IP66 rated light fixtures
- Impact and vibration resistant
- Provision for padlock on the enclosure
- Dry contacts for alarm monitoring/status
 - Photocell alarm
 - L-810 / L-864 light alarms
 - Operation mode (day/night)
 - Communication alarm
 - Sync alarm
 - Power fail alarm



Dual (Red / White) LED Systems: L-865 and L-864

Features & Benefits

- Infrared (IR) version available for improved visibility to Night Vision Goggles
- Integrated controller with LCD back-lit display
- Optional Ethernet / Cellular based remote monitoring / control system available
- 5 year warranty
- Ability to flash side markers
- Universal 120-240 VAC input or +/-48 VDC input
- Controller can be mounted at the base of the structure
- NEMA 4X outdoor rated enclosure
- Wide temperature range: -40°C to +55°C
- Light weight design
- Low power consumption
- IP66 rated light fixtures
- Impact and vibration resistant
- Provisions for padlock on the enclosure
- Dry contacts for alarm monitoring/status
 - Photocell alarm
 - Communication alarm
 - Sync alarm
 - Operation mode (day/night)
 - White mode alarm
 - Red mode alarm
 - Power fail alarm



White LED Systems: L-865

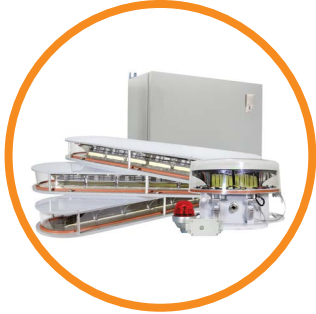
Features & Benefits

- Integrated controller with LCD back-lit display
- Optional Ethernet / Cellular based remote monitoring / control system available
- 5 year warranty
- Universal 120-240 VAC input or +/-48 VDC input
- Controller can be mounted at the base of the structure
- NEMA 4X outdoor rated enclosure
- Wide temperature range: -40°C to +55°C
- Light weight design
- Low power consumption
- IP66 rated light fixtures
- Impact and vibration resistant
- Provisions for padlock on the enclosure
- Dry contacts for alarm monitoring/status
 - Photocell alarm
 - Communication alarm
 - Sync alarm
 - Operation mode (day/night)
 - White mode alarm
 - Power fail

DISCLAIMER. All product information provided is, to the best of Dialight's knowledge, accurate as of the date of publication. When ordering, refer to www.dialight.com for current versions of: (a) relevant product documentation (including the relevant product data sheets); (b) Dialight terms and conditions of sale; and, (c) the relevant product warranty. To the extent that any contract is deemed formed between Dialight and the purchaser of Dialight products and/or an end-user, versions of documents available at www.dialight.com as at the date of sale shall be the versions incorporated therein. In the event of any discrepancy between this document or information provided at www.dialight.com, the latter shall prevail.

Obstruction LED Lighting Solutions

FAA Approved Obstruction Lighting Solutions



High Intensity LED Systems: L-856 / L864

Features & Benefits

- Integrated controller
- 5 year warranty
- Universal 208-277 VAC input
- Controller can be mounted at the base of the structure
- NEMA 4X outdoor rated enclosures
- Wide temperature range: -40°C to +55°C
- Low power consumption
- IP66 rated light fixtures
- Impact and vibration resistant
- Provision for padlock on the enclosure
- Effective intensity / power consumption
 - White Day = 270,000cd (160W)
 - White Twilight = 20,000cd (30W)
 - White Night = 2,000cd (23W)
 - Red Night = 2,000cd (30W)
- Dry contacts for alarm monitoring/status
 - Photocell alarm
 - Communication alarm
 - Sync alarm
 - Operation mode (day/night)
 - White mode alarm
 - Red mode alarm
 - Power fail alarm



Wind LED Lighting Systems

Features & Benefits

- Controller integrated into flashhead
- Integrated Photocell
- Integrated Flasher
- 5 year warranty
- Universal 120-240 VAC input
- Wide temperature range: -40°C to +55°C
- Low power consumption
- IP66 rated light fixtures
- Impact and vibration resistant
- Dry contacts for alarm monitoring/status

DISCLAIMER. All product information provided is, to the best of Dialight's knowledge, accurate as of the date of publication. When ordering, refer to www.dialight.com for current versions of: (a) relevant product documentation (including the relevant product data sheets); (b) Dialight terms and conditions of sale; and, (c) the relevant product warranty. To the extent that any contract is deemed formed between Dialight and the purchaser of Dialight products and/or an end-user, versions of documents available at www.dialight.com as at the date of sale shall be the versions incorporated therein. In the event of any discrepancy between this document or information provided at www.dialight.com, the latter shall prevail.

North American HQ

1501 Route 34 South
Farmingdale, NJ 07727
Tel: 732-919-3119
Fax: 732-751-5778
info@dialight.com

Australia

108 Howe Street
Osborne Park, WA 6017
Tel: +61 (0) 8 9244 7600
Fax: +61 (0) 8 9244 7601
info@dialight.com.au

Dialight Europe Ltd

Leaf C, Level 36, Tower 42
25 Old Broad Street
London, EC2N 1HQ, United Kingdom
Tel: +44 (0) 203 058 3540
Customer Service: +44 (0) 163 866 6541
sales-emea@dialight.com

Middle East

Level 23 – Boulevard Plaza Tower 2
Emaar Boulevard, Dubai, U.A.E.
P.O. Box 124342
Tel: +971 (4) 409-6962
Fax: +971 (4) 409-6850

Southeast Asia

33 Ubi Avenue 3
#07-72 Vertex (Tower A)
Singapore 408868
Tel: +65 6578 7157
Fax: +65 6578 7150
enquiry@dialight.com.sg

Brazil

Alameda Mercurio
225 – American Park Empresarial NR
Indaiatuba – SP – 13347– 662
Tel: +55 (19) 3113 - 4300
Fax: +55 (19) 3113 - 4300
brasil@dialight.com

WARNING / DISCLAIMERS:

Installation & secondary retention. The use of this product without proper installation (including secondary retention / netting) and periodic inspections, could cause severe injury or death. Dialight recommends that all installations should use secondary retention / netting (appropriate to the installation environment) as applicable. Dialight products are intended for ultimate purchase, installation and operation by knowledgeable persons trained in the functional assessment, installation, use and maintenance of such products and all customers (including but not limited to end customers) are responsible for assessing the suitability of Dialight products for any given installation requirement. It is the exclusive responsibility of the contractor, installer and/or end-user to: (a) determine the suitability of the product for its intended application; and, (b) ensure that the product is safely installed (with secondary retention / netting as appropriate) and in compliance with all applicable laws and regulations.

Product specifications & warranties. All product information provided is, to the best of Dialight's knowledge, accurate as of the date of publication. All values and performance data herein are design or typical values when measured under laboratory conditions. The information herein is subject to change without notice. The products / software detailed herein are subject to applicable warranties and terms and conditions of use/purchase. Unless agreed otherwise in writing by an authorized representative of Dialight, Dialight does not represent that its products are fit for any particular purpose and accepts no liability for the installation and/or unauthorised use of its products. When ordering, refer to www.dialight.com for current versions of: (a) relevant product documentation (including relevant product data sheets); (b) Dialight terms and conditions of sale; and, (c) the relevant product warranties. To the extent that any contract is deemed formed between Dialight and the purchaser of Dialight products and/or an end-user, versions of documents available at www.dialight.com as at the date of sale shall be the versions incorporated therein. In the event of any discrepancy between this document and information provided at www.dialight.com, the latter shall prevail.

Exclusion of liability. To the extent permissible under the relevant law, Dialight disclaims all liability for personal injury and/or other damage resulting from any dislodgment or other dislocation of its products. Whilst Dialight has used its reasonable endeavours to ensure the completeness and accuracy of information herein, Dialight does not assume any liability for damages resulting from use of this information or for any third-party representations made in relation to Dialight products.

