

# Dialight



## Dialight LED Lighting Catalogue - APAC

for Industrial and Hazardous Areas



SEPTEMBER 2021



Cover and above photo: The crushing plant and beneficiation plant at Mineral Resources' Wodgina Minesite

## About Dialight

With over 40 years of industrial LED lighting experience and the largest installed base in the world, Dialight's extensive network of support staff, distributor and channel partners are ready to help you select among our wide range of products to identify a lighting solution that meets your specific needs.

### Reliant™

- LED lighting for light industrial applications
- 10 year warranty

### Vigilant®

- LED lighting for general industrial applications
- 10 year warranty

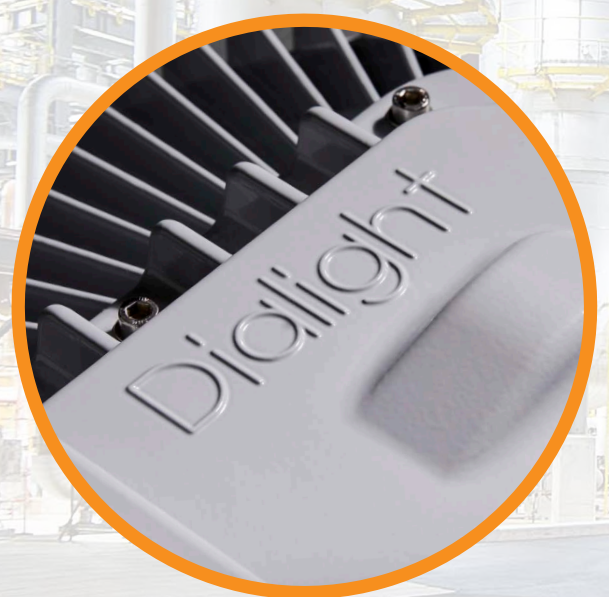
### DuroSite®

- LED lighting for general industrial applications
- 5 & 10 year warranty

### SafeSite®



- LED lighting for hazardous applications
- 5 & 10 year warranty



# Table of Contents

## ProSite LED Lighting for Industrial & Hazardous Applications

ProSite LED Floodlight 12-15

## Reliant™ LED Lighting for Industrial Applications

Reliant™ LED High Bay 16-17

## Vigilant® LED Lighting for Industrial Applications

Vigilant® LED High Bay 18-23  
 Vigilant® LED Low Bay 24-29  
 Vigilant® LED High Output High Bay 30-31  
 Vigilant® LED High Output High Bay - Low Profile 32-33  
 Vigilant® LED Single and Dual Floodlight 34-37  
 Vigilant® LED Linear 38-41  
 Vigilant® LED Area Light 42-47  
 Vigilant® LED Conveyor Light 48-49  
 Vigilant® LED Bulkhead 50-53

## DuroSite® LED Lighting for Industrial Applications

DuroSite® LED Floodlight 54-55  
 DuroSite® LED Linear 56-57

## SafeSite® LED Lighting for Hazardous Applications



SafeSite® LED High Bay - High Efficiency 58-59  
 SafeSite® LED Floodlight - IECEx/ATEX 60-61  
 SafeSite® LED Floodlight 62-63  
 SafeSite® LED Area Light 64-67  
 SafeSite® LED GRP Linear 68-71  
 SafeSite® LED Linear 72-73  
 SafeSite® LED Stainless Steel Linear 74-75

## StreetSense® LED Street Lighting



StreetSense® LED Street Light 76-77  
 StreetSense® LED Street Light - IECEx/ATEX 78-79

## Obstruction LED Lighting

Overview 80-81

# Hazardous Area Ratings

Fixed and portable fixtures for installation and use in hazardous areas.



## Zones

The zone defines the probability of hazardous material being present in an explosive concentration in the atmosphere.

Zone	Hazardous Material in Surrounding Atmosphere
Zone 0, 20	Area in which an explosive gas / dust mixture is continuously present or present for long periods
Zone 1, 21	Area in which an explosive gas / dust mixture is likely to occur for short periods in normal operation
Zone 2, 22	Area in which an explosive gas / dust mixture is present for a very short time due to an abnormal condition

## Protection Types

The protection types are used to denote the protection concept utilised in the devices.

Ex	Presence of Hazardous Material	Zones
Ex d	Flameproof (Explosion proof) Enclosure	1, 21, 2, 22
Ex e	Increased Safety	1, 21, 2, 22
Ex m	Encapsulation	1, 21, 2, 22
Ex n or N	Non incandive or/and normally no sparking circuits	2, 22

## Temperature Ratings

Certified equipment is tested for maximum temperature rating by approval agencies.

Equipment for Group II receives a temperature code indicating the maximum temperatures of the product.

Temperature Rating	
T1	450°C
T2	300°C
T3	200°C
T4	135°C
T5	100°C
T6	85°C

## Groups (Gas & Dust)

Equipment is tested for suitability in specified gas groups and dust groups.

Gas groups IIA, IIB, IIC. Dust groups IIIA, IIIB, IIIC

Group	Hazardous Material in Surrounding Atmosphere
Group IIA	Propane group
Group IIB	Ethylene group
Group IIC	Hydrogen group
Group IIIA	Combustible flyings
Group IIIB	Non-conductive dust
Group IIIC	Conductive dust

# Hazardous Locations Ratings

Fixed and portable fixtures for installation and use in hazardous (classified) locations Class I, Divisions 1 and 2, Groups A, B, C, and D; Class II, Division 1, Groups E, F, and G; Class II, Division 2, Groups F and G; and Class III, Divisions 1 and 2, in accordance with the National Electrical Code, NFPA 70

## Classes

The classes define the general nature of hazardous material in the surrounding atmosphere.

Class	Hazardous Material in Surrounding Atmosphere
Class I	Hazardous because flammable gases or vapors are present in the air in quantities sufficient to produce explosive or ignitable mixtures
Class II	Hazardous because combustible or conductive dusts are present
Class III	Hazardous because ignitable fibers or flying's are present, but not likely to be in suspension in sufficient quantities to produce ignitable mixtures. Typical wood chips, cotton, flax and nylon. Group classifications are not applied to this class

## Divisions

The division defines the probability of hazardous material being present in an ignitable concentration in the surrounding atmosphere.

Division	Presence of Hazardous Material
Division 1	The substance referred to by class is present during normal conditions
Division 2	The substance referred to by class is present only in abnormal conditions, such as a container failure or system breakdown

## Groups

The group defines the hazardous material in the surrounding atmosphere.

Group	Hazardous Material in Surrounding Atmosphere
Group A	Acetylene
Group B	Hydrogen, fuel and combustible process gases containing more than 30% hydrogen by volume or gases of equivalent hazard such as butadiene, ethylene, oxide, propylene oxide and acrolein
Group C	Carbon monoxide, ether, hydrogen sulfide, morphine, cyclopropane, ethyl and ethylene or gases of equivalent hazard
Group D	Gasoline, acetone, ammonia, benzene, butane, cyclopropane, ethanol, hexane, methanol, methane, vinyl chloride, natural gas, naphtha, propane or gases of equivalent hazard
Group E	Combustible metal dusts, including aluminum, magnesium and their commercial alloys or other combustible dusts whose particle size, abrasiveness and conductivity present similar hazards in connection with electrical equipment
Group F	Carbonaceous dusts, carbon black, coal black, charcoal, coal or coke dusts that have more than 8% total entrapped volatiles or dusts that have been sensitized by other material so they present an explosion hazard
Group G	Flour dust, grain dust, flour, starch, sugar, wood, plastic and chemicals

Reference:  
[http://www.engineeringtoolbox.com/hazardous-areas-classification-d\\_347.html](http://www.engineeringtoolbox.com/hazardous-areas-classification-d_347.html)

## ProSite LED Lighting Fixtures for Industrial & Hazardous Applications



### LED Floodlight

Wattage Range:	81-499W
Lumen Output Range:	11,700-65,000
Lumens per Watt:	Up to 163
Input Voltage:	120-277 VAC / 120-250 VDC, 347-415 VAC
Mounting:	Structure, Pole
Mounting Height:	Up to 30m

## Reliant™ LED Lighting Fixtures for Industrial Applications



### LED High Bay

Wattage Range:	71-232W
Lumen Output Range:	11,100-36,000
Lumens per Watt:	up to 159
Input Voltage:	100-277 VAC
Mounting:	Overhead
Mounting Height:	Up to 12m

## Vigilant® LED Lighting Fixtures for Industrial Applications



### LED High Bay

Wattage Range:	80-186W
Lumen Output Range:	10,500-26,000
Lumens per Watt:	Up to 140
Input Voltage:	100-277 VAC, 120-250 VDC
Mounting:	Overhead, Ceiling, Suspended
Mounting Height:	Up to 12m



### LED Low Bay

Wattage:	80W
Lumen Output:	8,750
Lumens per Watt:	109
Input Voltage:	100-277 VAC, 120-250 VDC
Mounting:	Overhead, Ceiling, Suspended, Wall
Mounting Height:	Up to 7m



### LED High Output High Bay & Low Profile

Wattage Range:	300-506W
Lumen Output Range:	Up to 72,000
Lumens per Watt:	Up to 155
Input Voltage:	120-277 VAC, 415 VAC
Mounting:	Suspended
Mounting Height:	Up to 30m

**DISCLAIMER.** All product information provided is, to the best of Dialight's knowledge, accurate as of the date of publication. When ordering, refer to [www.dialight.com](http://www.dialight.com) for current versions of: (a) relevant product documentation (including the relevant product data sheets); (b) Dialight terms and conditions of sale; and, (c) the relevant product warranty. To the extent that any contract is deemed formed between Dialight and the purchaser of Dialight products and/or an end-user, versions of documents available at [www.dialight.com](http://www.dialight.com) as at the date of sale shall be the versions incorporated therein. In the event of any discrepancy between this document or information provided at [www.dialight.com](http://www.dialight.com), the latter shall prevail.

# Vigilant® LED Lighting Fixtures

## for Industrial Applications



### LED Floodlight & Dual Floodlight

<b>Wattage Range:</b>	190-385W
<b>Lumen Output Range:</b>	27,000-56,000
<b>Lumens per Watt:</b>	135-147
<b>Input Voltage:</b>	100-277 VAC, 120-250 VDC
<b>Mounting:</b>	Pole, Structure
<b>Mounting Height:</b>	Up to 25m



### LED Area Light

<b>Wattage Range:</b>	24-66W
<b>Lumen Output Range:</b>	3,000-9,000
<b>Lumens per Watt:</b>	Up to 143
<b>Input Voltage:</b>	100-277 VAC, 120-250 VDC
<b>Mounting:</b>	Ceiling, Wall, Pole
<b>Mounting Height:</b>	Up to 10m



### LED Linear

<b>Wattage Range:</b>	37-52W
<b>Lumen Output Range:</b>	4,450-6,400
<b>Lumens per Watt:</b>	Up to 123
<b>Input Voltage:</b>	100-277 VAC, 120-250 VDC
<b>Mounting:</b>	Ceiling, Wall, Pole
<b>Mounting Height:</b>	Up to 9m



### LED Conveyor Light

<b>Wattage Range:</b>	64W
<b>Lumen Output Range:</b>	6,700-7,500
<b>Lumens per Watt:</b>	Up to 114
<b>Input Voltage:</b>	100-277 VAC, 120-250 VDC
<b>Mounting:</b>	34mm pole mount
<b>Mounting Height:</b>	Up to 6m



### LED Bulkhead

<b>Wattage Range:</b>	22-48W
<b>Lumen Output Range:</b>	3,100-6,700
<b>Lumens per Watt:</b>	Up to 149
<b>Input Voltage:</b>	100-277 VAC, 120-250 VDC, 230/240 VAC
<b>Mounting:</b>	Pole mount
<b>Mounting Height:</b>	Up to 6m

**DISCLAIMER.** All product information provided is, to the best of Dialight's knowledge, accurate as of the date of publication. When ordering, refer to [www.dialight.com](http://www.dialight.com) for current versions of: (a) relevant product documentation (including the relevant product data sheets); (b) Dialight terms and conditions of sale; and, (c) the relevant product warranty. To the extent that any contract is deemed formed between Dialight and the purchaser of Dialight products and/or an end-user, versions of documents available at [www.dialight.com](http://www.dialight.com) as at the date of sale shall be the versions incorporated therein. In the event of any discrepancy between this document or information provided at [www.dialight.com](http://www.dialight.com), the latter shall prevail.

## DuroSite® LED Lighting Fixtures for Industrial Applications



### LED Floodlight

<b>Wattage Range:</b>	106-140W
<b>Lumen Output Range:</b>	11,250-15,000
<b>Lumens per Watt:</b>	108-111
<b>Input Voltage:</b>	100-277 VAC
<b>Mounting:</b>	Wall, Pole
<b>Mounting Height:</b>	Up to 15m



### LED Linear

<b>Wattage Range:</b>	33-66W
<b>Lumen Output Range:</b>	3,300-6,700
<b>Lumens per Watt:</b>	100-102
<b>Input Voltage:</b>	100-277 VAC
<b>Mounting:</b>	Overhead, Wall
<b>Mounting Height:</b>	Up to 6m

## SafeSite® LED Lighting Fixtures for Hazardous Applications



### LED High Bay - IECEx/ATEX

<b>Wattage Range:</b>	88-212W
<b>Lumen Output Range:</b>	9,650-23,500
<b>Lumens per Watt:</b>	110
<b>Input Voltage:</b>	100-277 VAC, 110-277 VAC
<b>Mounting:</b>	Pole, Overhead, Ceiling, Wall
<b>Mounting Height:</b>	Up to 12m
<b>Zone:</b>	Zone 1, 21 and Zone 2, 22



### LED Floodlight - IECEx/ATEX

<b>Wattage Range:</b>	144-212W
<b>Lumen Output Range:</b>	16,000-23,000
<b>Lumens per Watt:</b>	110
<b>Input Voltage:</b>	100-277 VAC, 110-277 VAC
<b>Mounting:</b>	Pole, Overhead, Ceiling, Wall
<b>Mounting Height:</b>	Up to 12m
<b>Zone:</b>	Zone 1, 21 and Zone 2, 22



**DISCLAIMER.** All product information provided is, to the best of Dialight's knowledge, accurate as of the date of publication. When ordering, refer to [www.dialight.com](http://www.dialight.com) for current versions of: (a) relevant product documentation (including the relevant product data sheets); (b) Dialight terms and conditions of sale; and, (c) the relevant product warranty. To the extent that any contract is deemed formed between Dialight and the purchaser of Dialight products and/or an end-user, versions of documents available at [www.dialight.com](http://www.dialight.com) as at the date of sale shall be the versions incorporated therein. In the event of any discrepancy between this document or information provided at [www.dialight.com](http://www.dialight.com), the latter shall prevail.



# SafeSite® LED Lighting Fixtures for Hazardous Applications



## LED Floodlight

<b>Wattage Range:</b>	135W
<b>Lumen Output Range:</b>	14,750-15,000
<b>Lumens per Watt:</b>	109, 111
<b>Input Voltage:</b>	100-277 VAC
<b>Mounting:</b>	Pole, Wall
<b>Mounting Height:</b>	Up to 15m



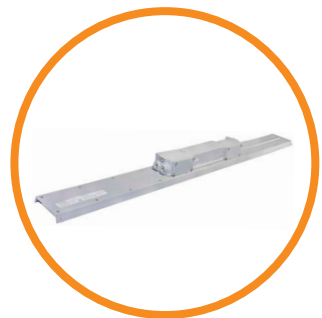
## LED Area Light

<b>Wattage Range:</b>	24-66W
<b>Lumen Output Range:</b>	3,000-9,000
<b>Lumens per Watt:</b>	Up to 143
<b>Input Voltage:</b>	100-277 VAC, 120-250 VDC
<b>Mounting:</b>	Ceiling, Wall, Pole
<b>Mounting Height:</b>	Up to 10m
<b>Zone:</b>	Zone 1, 21 and Zone 2, 22



## LED GRP Linear

<b>Wattage Range:</b>	25-51W
<b>Lumen Output Range:</b>	2,785-5,750
<b>Lumens per Watt:</b>	Up to 123
<b>Input Voltage:</b>	100-277 VAC/120-250 VDC, 230/240 (Emergency)
<b>Mounting:</b>	Ceiling, Wall, Pole



## LED Linear

<b>Wattage Range:</b>	33W, 66W
<b>Lumen Output Range:</b>	3,300-6,700
<b>Lumens per Watt:</b>	100,102
<b>Input Voltage:</b>	100-277 VAC
<b>Mounting:</b>	Overhead, Wall
<b>Mounting Height:</b>	Up to 6m

**DISCLAIMER.** All product information provided is, to the best of Dialight's knowledge, accurate as of the date of publication. When ordering, refer to [www.dialight.com](http://www.dialight.com) for current versions of: (a) relevant product documentation (including the relevant product data sheets); (b) Dialight terms and conditions of sale; and, (c) the relevant product warranty. To the extent that any contract is deemed formed between Dialight and the purchaser of Dialight products and/or an end-user, versions of documents available at [www.dialight.com](http://www.dialight.com) as at the date of sale shall be the versions incorporated therein. In the event of any discrepancy between this document or information provided at [www.dialight.com](http://www.dialight.com), the latter shall prevail.

# SafeSite® LED Lighting Fixtures

## for Hazardous Applications



### LED Linear & LED Emergency Linear - Stainless Steel

<b>Wattage Range:</b>	34W, 67W
<b>Lumen Output Range:</b>	2,600-5,100
<b>Lumens per Watt:</b>	81
<b>Input Voltage:</b>	110-250 VAC 230-240 VAC (Emergency)
<b>Mounting:</b>	Overhead, Ceiling, Wall, Pole
<b>Mounting Height:</b>	Up to 6m
<b>Zone:</b>	Zone 1, 21 and Zone 2, 22



# StreetSense® LED Street Light

## for Industrial and Hazardous Area Applications



### StreetSense LED Street Light

<b>Wattage Range:</b>	65-252W
<b>Lumen Output Range:</b>	5,500-20,250
<b>Lumens per Watt:</b>	80-85
<b>Input Voltage:</b>	100-277 VAC



### StreetSense LED Street Light - IECEx/ATEX

<b>Wattage Range:</b>	65-252W
<b>Lumen Output Range:</b>	5,500-20,250
<b>Lumens per Watt:</b>	80-85
<b>Input Voltage:</b>	100-277 VAC
<b>Zone:</b>	Zone 2



**DISCLAIMER.** All product information provided is, to the best of Dialight's knowledge, accurate as of the date of publication. When ordering, refer to [www.dialight.com](http://www.dialight.com) for current versions of: (a) relevant product documentation (including the relevant product data sheets); (b) Dialight terms and conditions of sale; and, (c) the relevant product warranty. To the extent that any contract is deemed formed between Dialight and the purchaser of Dialight products and/or an end-user, versions of documents available at [www.dialight.com](http://www.dialight.com) as at the date of sale shall be the versions incorporated therein. In the event of any discrepancy between this document or information provided at [www.dialight.com](http://www.dialight.com), the latter shall prevail.

# Obstruction LED Lighting Solutions

## ICAO



### Vigilant LED Based ICAO Type A

#### High Intensity (White / Red) Strobe

<b>Effective Intensity:</b>	White Day – 200,000 cd White Twilight- 20,000 cd White or Red Night- 2,000 cd
<b>Wattage:</b>	White day - 160W White twilight - 30W White Night - 23W Red Night - 30W
<b>Input Voltage:</b>	208-277 VAC



### Vigilant LED Based ICAO Type A/Type B

#### Medium Intensity (White/Red) Strobe - Infrared (IR) available



<b>Effective Intensity:</b>	White Day- 20,000 cd White Night- 2,000 cd Red Night- 2,000 cd
<b>Wattage:</b>	White Day- 36W (system = 75W) White Night- 4W (system = 10W) Red Night- 12W (system = 25W)
<b>Input Voltage:</b>	120-240 VAC or +/- 48 VDC

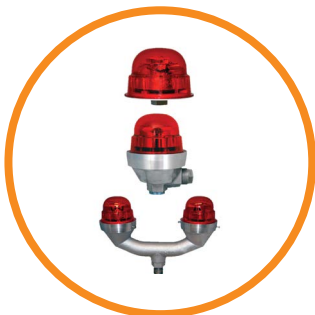


### Vigilant LED Based ICAO Type B/Type C

#### Medium Intensity (Red) Beacon - Infrared (IR) available



Verified to meet CASA requirements under Manual of Standards Part 139 - Aerodromes	
<b>Effective Intensity:</b>	2,000 cd
<b>Wattage:</b>	3.3W (16.7% duty circle)- standard 7.0W (16.7% duty circle)- IR model 20 flashes per minute with 0.5 sec. on time
<b>Input Voltage:</b>	120-240 VAC or 24-48 VDC



### Vigilant LED Based ICAO Type B/Type E

#### Low Intensity (Red) RTO Side Light - Infrared (IR) available



<b>Effective Intensity:</b>	32.5 cd
<b>Wattage Range:</b>	1.5-9.0W
<b>Input Voltage:</b>	12-48 VDC, 120-240 VAC, 277 VAC



### Vigilant LED Based ICAO Type B/Type E

#### Low Intensity (Red) Side Light



<b>Effective Intensity:</b>	32.5 cd
<b>Wattage Range:</b>	13-24W
<b>Input Voltage:</b>	12-48 VDC, 120 VAC, 230 VAC

**DISCLAIMER.** All product information provided is, to the best of Dialight's knowledge, accurate as of the date of publication. When ordering, refer to [www.dialight.com](http://www.dialight.com) for current versions of: (a) relevant product documentation (including the relevant product data sheets); (b) Dialight terms and conditions of sale; and, (c) the relevant product warranty. To the extent that any contract is deemed formed between Dialight and the purchaser of Dialight products and/or an end-user, versions of documents available at [www.dialight.com](http://www.dialight.com) as at the date of sale shall be the versions incorporated therein. In the event of any discrepancy between this document or information provided at [www.dialight.com](http://www.dialight.com), the latter shall prevail.

# ProSite LED Floodlight - CE / RCM

## F1 Models



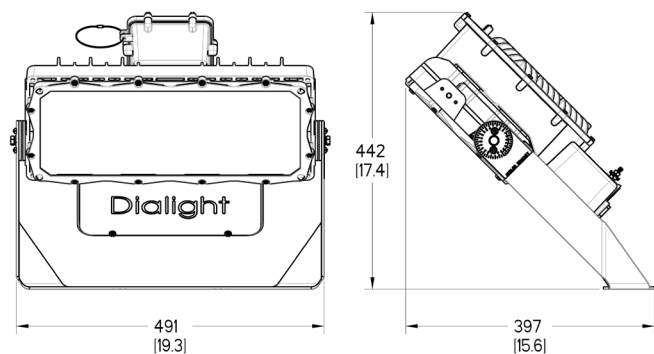
Patent Pending

### Certifications & Ratings

- 10 year warranty
- CE / RCM
- ENEC - Pending\*
- IP66/67
- IK10 (integrated PC optic/lens/lens cover), IK08 (glass lens cover)
- L70 > 150,000 hours @ 25°C ambient

\*Values based on preliminary data awaiting validation or certification.

### Angled Bracket



Dimensions in mm [inches]

### Mechanical Information:

<b>Fixture weight:</b>	10.9 - 13.6 kg
<b>Shipping weight:</b>	~14.5 kg
<b>EPA (m²):</b>	0.186
<b>Mounting:</b>	316 stainless steel straight bracket (all with 7.5° tilting increments) 316 stainless steel angled bracket Slipfitter bracket
<b>Cable entry:</b>	2 x M25

### Electrical Specifications:

<b>Operating voltage:</b>	120-277 VAC / 120-250 VDC 347-415 VAC
<b>Operating temp:</b>	-40°C to +65°C
<b>EMC:</b>	CISPR 15 FCC 47CFR 15 IEC 61000-3-3 IEC 61547 IEC 61000-3-2
<b>Transient protection:</b>	6KV/3KA combination wave, as per IEEE C62.41, line-line and line-ground. Optional: 10kV/5kA for non-hazardous models
<b>THD:</b>	< 20%
<b>Power Factor:</b>	> 0.9
<b>Dimming:</b>	Wireless dimming controls via Dialight IntelliLED, DALI 2.0 compatible/ 0-10 VDC

### Construction:

<b>Housing:</b>	A360 Die-cast aluminum
<b>Hardware:</b>	316 stainless steel
<b>Finish:</b>	Superior epoxy and polyester dual coat finish
<b>Lens:</b>	Integrated PC Optic/Lens, Glass Lens Cover, PC Lens Cover

### Photometric Information:

<b>CRI:</b>	70 (80 optional)
<b>CCT:</b>	5000K (cool white) 4000K (neutral white) 2700K (warm white) - 80 CRI Amber
<b>Beam pattern:</b>	Medium - 55° Wide - 125° Very Wide - 131° x 108° Asymmetric - Forward Distribution
<b>IES files:</b>	Available at <a href="http://www.dialight.com">www.dialight.com</a>

All values typical unless otherwise stated (tolerance +/- 10%)

**WARNING - INSTALLATION & SECONDARY RETENTION.** Use of any Dialight products without proper installation (including secondary retention / netting) and periodic inspections could cause severe injury or death. Dialight recommends that all installations should use secondary retention / netting (appropriate to the installation environment) where applicable. It is the exclusive responsibility of the contractor, installer and/or end-user to: (a) determine the suitability of the product for its intended application; and, (b) ensure that the product is safely installed (with secondary retention / netting where appropriate) and in compliance with all applicable laws and regulations. To the extent permissible under applicable laws, Dialight disclaims all liability for personal injury and/or other damage resulting from any dislodgment or other dislocation of its products.

# Ordering Information

## ProSite LED Floodlight - CE / RCM



Industrial - CE / RCM							
Part Number	Fixture Lumens	Wattage	lm/W	Voltage	CCT	Lens	Beam Distribution
<b>12,000lm - Angled Bracket</b>							
F1E-N7B2-BDEN-VGN	13,200	81	163	120-277VAC / 120-250VDC	5000k (cool white)	Integrated PC	Very Wide (131° x 108°)
F1E-N6B2-BDEN-VGN	13,200	81	163	120-277VAC / 120-250VDC	5000k (cool white)	Integrated PC	Wide (125°)
F1E-N4B2-BDEN-VGN	13,200	81	163	120-277VAC / 120-250VDC	5000k (cool white)	Integrated PC	Medium (56°)
F1E-7FB2-BDEN-VGN	12,200	81	151	120-277VAC / 120-250VDC	5000k (cool white)	Glass	Asymmetric
F1E-N7L2-BDEN-VGN	13,200	81	163	120-277VAC / 120-250VDC	4000k (neutral white)	Integrated PC	Very Wide (131° x 108°)
<b>F1E-N6L2-BDEN-VGN</b>	13,200	81	163	120-277VAC / 120-250VDC	4000k (neutral white)	Integrated PC	Wide (125°)
F1E-N4L2-BDEN-VGN	13,200	81	163	120-277VAC / 120-250VDC	4000k (neutral white)	Integrated PC	Medium (56°)
F1E-7FL2-BDEN-VGN	12,200	81	151	120-277VAC / 120-250VDC	4000k (neutral white)	Glass	Asymmetric
<b>18,000lm - Angled Bracket</b>							
F1E-N7B2-CDEN-VGN	19,100	124	154	120-277VAC / 120-250VDC	5000k (cool white)	Integrated PC	Very Wide (131° x 108°)
<b>F1E-N6B2-CDEN-VGN</b>	19,100	124	154	120-277VAC / 120-250VDC	5000k (cool white)	Integrated PC	Wide (125°)
F1E-N4B2-CDEN-VGN	19,100	124	154	120-277VAC / 120-250VDC	5000k (cool white)	Integrated PC	Medium (56°)
F1E-7FB2-CDEN-VGN	17,700	124	143	120-277VAC / 120-250VDC	5000k (cool white)	Glass	Asymmetric
F1E-N7L2-CDEN-VGN	19,100	124	154	120-277VAC / 120-250VDC	4000k (neutral white)	Integrated PC	Very Wide (131° x 108°)
<b>F1E-N6L2-CDEN-VGN</b>	19,100	124	154	120-277VAC / 120-250VDC	4000k (neutral white)	Integrated PC	Wide (125°)
F1E-N4L2-CDEN-VGN	19,100	124	154	120-277VAC / 120-250VDC	4000k (neutral white)	Integrated PC	Medium (56°)
F1E-7FL2-CDEN-VGN	17,700	124	143	120-277VAC / 120-250VDC	4000k (neutral white)	Glass	Asymmetric
<b>30,000lm - Angled Bracket</b>							
F1E-N7B2-FDEN-VGN	31,600	234	135	120-277VAC / 120-250VDC	5000k (cool white)	Integrated PC	Very Wide (131° x 108°)
<b>F1E-N6B2-FDEN-VGN</b>	31,600	234	135	120-277VAC / 120-250VDC	5000k (cool white)	Integrated PC	Wide (125°)
F1E-N4B2-FDEN-VGN	31,600	234	135	120-277VAC / 120-250VDC	5000k (cool white)	Integrated PC	Medium (56°)
F1E-7FB2-FDEN-VGN	29,200	234	125	120-277VAC / 120-250VDC	5000k (cool white)	Glass	Asymmetric
F1E-N7L2-FDEN-VGN	31,600	234	135	120-277VAC / 120-250VDC	4000k (neutral white)	Integrated PC	Very Wide (131° x 108°)
<b>F1E-N6L2-FDEN-VGN</b>	31,600	234	135	120-277VAC / 120-250VDC	4000k (neutral white)	Integrated PC	Wide (125°)
F1E-N4L2-FDEN-VGN	31,600	234	135	120-277VAC / 120-250VDC	4000k (neutral white)	Integrated PC	Medium (56°)
<b>F1E-7FL2-FDEN-VGN</b>	29,200	234	125	120-277VAC / 120-250VDC	4000k (neutral white)	Glass	Asymmetric
<b>Amber - Angled Bracket</b>							
<b>F1E-7FA2-BDEN-VGN</b>	11,700	226	52	120-277VAC / 120-250VDC	Amber	Glass	Asymmetric

All values typical unless otherwise stated (tolerance +/- 10%).

Part numbers listed in **bold** are typically available in stock.

Voltage - For 347-415 VAC change the 7th character to '5'.

CCT - For 2700k change 6th character to 'W'. Amber options available.

Lens - For glass lens cover change 4th character to a '7', For PC lens cover change 4th character to a '4'.

Surge Protection - For 10kV surge protection 120-277 VAC change 7th character to '8'. For 10kV surge protection 347-415 VAC change 7th character to '9'.

PE Cell - For NEMA PE Cell Receptacle with shorting cap change 9th character to 'S'.

Mounting Bracket - For straight bracket change 10th character to 'F', for slip fitter change 10th character to 'S'.

**DISCLAIMER.** All product information provided is, to the best of Dialight's knowledge, accurate as of the date of publication. When ordering, refer to [www.dialight.com](http://www.dialight.com) for current versions of: (a) relevant product documentation (including the relevant product data sheets); (b) Dialight terms and conditions of sale; and, (c) the relevant product warranty. To the extent that any contract is deemed formed between Dialight and the purchaser of Dialight products and/or an end-user, versions of documents available at [www.dialight.com](http://www.dialight.com) as at the date of sale shall be the versions incorporated therein. In the event of any discrepancy between this document or information provided at [www.dialight.com](http://www.dialight.com), the latter shall prevail.

# ProSite LED Floodlight - CE / RCM

## F2 Models



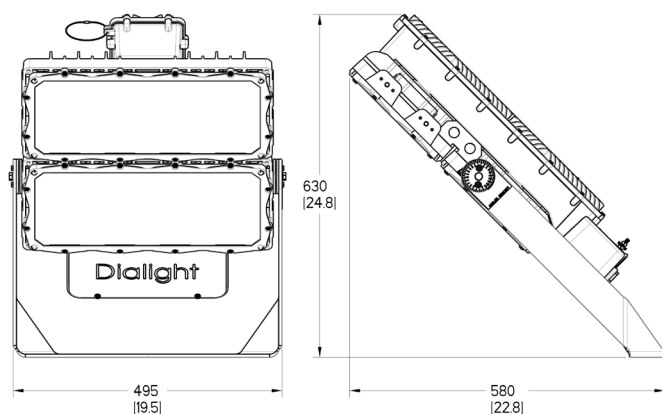
Patent Pending

### Certifications & Ratings

- 10 year warranty
- CE / RCM
- ENEC - Pending\*
- IP66/67
- IK10 (integrated PC optic/lens/lens cover), IK08 (glass lens cover)
- L70 > 150,000 hours @ 25°C ambient

\*Values based on preliminary data awaiting validation or certification.

### Angled Bracket



Dimensions in mm [inches]

### Mechanical Information:

<b>Fixture weight:</b>	19.5 - 24.5 kg
<b>Shipping weight:</b>	~25.5 kg
<b>EPA (m²):</b>	0.310
<b>Mounting:</b>	316 stainless steel straight bracket (all with 7.5° tilting increments) 316 stainless steel angled bracket
<b>Cable entry:</b>	2 x M25

### Electrical Specifications:

<b>Operating voltage:</b>	120-277 VAC / 120-250 VDC 347-415 VAC
<b>Operating temp:</b>	-40°C to +65°C -40°C to +55°C - 60klm
<b>EMC:</b>	CISPR 15 FCC 47CFR 15 IEC 61000-3-3 IEC 61547 IEC 61000-3-2
<b>Transient protection:</b>	6KV/3KA combination wave, as per IEEE C62.41, line-line and line-ground.
<b>Optional:</b>	10kV/5kA for non-hazardous models
<b>THD:</b>	< 20%
<b>Power Factor:</b>	> 0.9
<b>Dimming:</b>	Wireless dimming controls via Dialight IntelliLED (up to 36k only), DALI 2.0 compatible (up to 36k only) / 0-10VDC

### Construction:

<b>Housing:</b>	A360 Die-cast aluminum
<b>Hardware:</b>	316 stainless steel
<b>Finish:</b>	Superior epoxy and polyester dual coat finish
<b>Lens:</b>	Integrated PC Optic/Lens, Glass Lens Cover, PC Lens Cover

### Photometric Information:

<b>CRI:</b>	70 (80 optional)
<b>CCT:</b>	5000K (cool white) 4000K (neutral white) 2700K (warm white) - 80 CRI Amber
<b>Beam pattern:</b>	Medium - 55° Wide - 125° Very Wide - 131° x 108° Asymmetric - Forward Distribution

**IES files:** Available at [www.dialight.com](http://www.dialight.com)

All values typical unless otherwise stated (tolerance +/- 10%)

**WARNING - INSTALLATION & SECONDARY RETENTION.** Use of any Dialight products without proper installation (including secondary retention / netting) and periodic inspections could cause severe injury or death. Dialight recommends that all installations should use secondary retention / netting (appropriate to the installation environment) where applicable. It is the exclusive responsibility of the contractor, installer and/or end-user to: (a) determine the suitability of the product for its intended application; and, (b) ensure that the product is safely installed (with secondary retention / netting where appropriate) and in compliance with all applicable laws and regulations. To the extent permissible under applicable laws, Dialight disclaims all liability for personal injury and/or other damage resulting from any dislodgment or other dislocation of its products.

# Ordering Information

## ProSite LED Floodlight - CE / RCM



Industrial - CE / RCM							
Part Number	Fixture Lumens	Wattage	lm/W	Voltage	CCT	Lens	Beam Distribution
<b>60,000lm - 10kV Surge Protection - Angled Bracket</b>							
F2E-N7B8-NDEN-VGN	65,000	484	134	120-277VAC / 120-250VDC	5000k (cool white)	Integrated PC	Very Wide (131° x 108°)
F2E-N6B8-NDEN-VGN	65,000	484	134	120-277VAC / 120-250VDC	5000k (cool white)	Integrated PC	Wide (125°)
F2E-N4B8-NDEN-VGN	65,000	484	134	120-277VAC / 120-250VDC	5000k (cool white)	Integrated PC	Medium (56°)
F2E-7FB8-NDEN-VGN	60,100	484	124	120-277VAC / 120-250VDC	5000k (cool white)	Glass	Asymmetric
F2E-N7L8-NDEN-VGN	65,000	484	134	120-277VAC / 120-250VDC	4000k (neutral white)	Integrated PC	Very Wide (131° x 108°)
<b>F2E-N6L8-NDEN-VGN</b>	65,000	484	134	120-277VAC / 120-250VDC	4000k (neutral white)	Integrated PC	Wide (125°)
<b>F2E-N4L8-NDEN-VGN</b>	65,000	484	134	120-277VAC / 120-250VDC	4000k (neutral white)	Integrated PC	Medium (56°)
<b>F2E-7FL8-NDEN-VGN</b>	60,100	484	124	120-277VAC / 120-250VDC	4000k (neutral white)	Glass	Asymmetric
<b>Amber - Angled Bracket</b>							
<b>F2E-7FA2-EDEN-VGN</b>	23,800	461	52	120-277VAC / 120-250VDC	Amber	Glass	Asymmetric
<b>60,000lm - 10kV Surge Protection - Angled Bracket - 415 VAC</b>							
F2E-N7B9-NDEN-VGN	65,000	499	130	347-415VAC	5000k (cool white)	Integrated PC	Very Wide (131° x 108°)
F2E-N6B9-NDEN-VGN	65,000	499	130	347-415VAC	5000k (cool white)	Integrated PC	Wide (125°)
F2E-N4B9-NDEN-VGN	65,000	499	130	347-415VAC	5000k (cool white)	Integrated PC	Medium (56°)
F2E-7FB9-NDEN-VGN	60,100	499	120	347-415VAC	5000k (cool white)	Glass	Asymmetric
F2E-N7L9-NDEN-VGN	65,000	499	130	347-415VAC	4000k (neutral white)	Integrated PC	Very Wide (131° x 108°)
F2E-N6L9-NDEN-VGN	65,000	499	130	347-415VAC	4000k (neutral white)	Integrated PC	Wide (125°)
F2E-N4L9-NDEN-VGN	65,000	499	130	347-415VAC	4000k (neutral white)	Integrated PC	Medium (56°)
F2E-7FL9-NDEN-VGN	60,100	499	120	347-415VAC	4000k (neutral white)	Glass	Asymmetric

All values typical unless otherwise stated (tolerance +/- 10%).

Part numbers listed in **bold** are typically available in stock.

CCT - For 2700k change 6th character to 'W'.

Lens - For glass lens cover change 4th character to a '7', For PC lens cover change 4th character to a '4'.

PE Cell - For NEMA PE Cell Receptacle with shorting cap change 9th character to 'S'.

Mounting Bracket - For straight bracket change 10th character to 'F'.

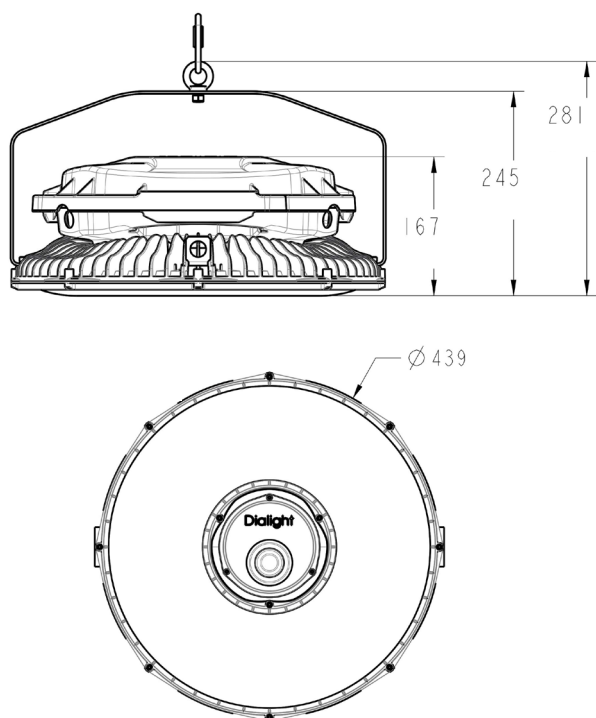
# Reliant™ LED High Bay

## Technical Specification



### Certifications & Ratings

- 10 year warranty
- CE
- RCM\*
- IP66
- L70 rated for >100,000 hours @ 55°C
- L90 rated for >100,000 hours @ 25°C



Dimensions in mm

### Mechanical Information:

Fixture weight:	9.3 kg
Shipping weight:	12 kg
Box dimensions:	515 x 515 x 350mm

### Mounting:

Mounting:	304 stainless steel mounting bracket
-----------	--------------------------------------

### Electrical Specifications:

Operating voltage:	100-277 VAC 50/60Hz
Operating temperature:	-40°C to +55°C
Total system power consumption:	See ordering table

EMC:	EN 55015 IEC 61000-3-3 IEC 61547 IEC 61000-4-2 IEC 61000-4-3 IEC 61000-4-6 IEC 61000-4-8 IEC 61000-4-11
------	--

Transient protection:	6kV/3kA combination wave, as per IEEE C62.41, line-line and line-ground IEC 61000-4-5 IEC 61000-4-4
-----------------------	---

THD:	IEC 55015 <20% @ 100-277 VAC
------	------------------------------

Harmonics:	IEC 61000-3-2, Class C
------------	------------------------

Power factor:	>0.9 @ 100-277 VAC
---------------	--------------------

Flicker:	IEC 61000-3-3
----------	---------------

Dimming:	DALI 1.0 and 2.0 5% 0-10 VDC continuous dimming to 5% Wireless dimming via Dialight IntelliLED controls to 5%
----------	---

Cable entry:	(3) M20 1.8m cable & plug (Australia only)
--------------	---

Terminals:	5 position, 0.5-4 mm <sup>2</sup>
------------	-----------------------------------

### Materials:

Housing:	Polycarbonate (upper) Aluminium (lower)
Lens:	Acrylic Polycarbonate & glass options available
Hardware:	304 stainless steel
Hook:	304 stainless steel
Fixture finish:	Superior dual coat finish - sealed polyester topcoat - epoxy primer

### Gaskets:

Light engine:	Santoprene
---------------	------------

Wiring box:	EPDM
-------------	------

### Photometric Information:

CRI:	80
CCT:	4000K (neutral white) 5000K (cool white)

All values typical unless otherwise stated (tolerance +/- 10%)  
\*Values based on preliminary data awaiting validation or certification.

**WARNING - INSTALLATION & SECONDARY RETENTION.** Use of any Dialight products without proper installation (including secondary retention / netting) and periodic inspections could cause severe injury or death. Dialight recommends that all installations should use secondary retention / netting (appropriate to the installation environment) where applicable. It is the exclusive responsibility of the contractor, installer and/or end-user to: (a) determine the suitability of the product for its intended application; and, (b) ensure that the product is safely installed (with secondary retention / netting where appropriate) and in compliance with all applicable laws and regulations. To the extent permissible under applicable laws, Dialight disclaims all liability for personal injury and/or other damage resulting from any dislodgment or other dislocation of its products.



# Reliant™ LED High Bay

## Ordering Information

### Australia

Part Number	Fixture Lumen	Wattage	lm/W	CCT	Lens	Beam Distribution	Mounting
<b>DALI Models</b>							
RRE-2MN2-ADH1-AGN	11,100	71	156	4000K (neutral white)	Acrylic	Medium	Hook, 1.8m cable & plug
RRE-2MN2-BDH1-AGN	14,000	91	154	4000K (neutral white)	Acrylic	Medium	Hook, 1.8m cable & plug
RRE-2MN2-CDH1-AGN	17,600	114	154	4000K (neutral white)	Acrylic	Medium	Hook, 1.8m cable & plug
RRE-2MN2-EDH1-AGN	23,800	159	150	4000K (neutral white)	Acrylic	Medium	Hook, 1.8m cable & plug
RRE-2MN2-GDH1-AGN	29,400	191	154	4000K (neutral white)	Acrylic	Medium	Hook, 1.8m cable & plug
RRE-2MN2-JDH1-AGN	35,300	232	152	4000K (neutral white)	Acrylic	Medium	Hook, 1.8m cable & plug

All values typical unless otherwise stated (tolerance +/- 10%).  
For additional controls options including occupancy sensor and IntelliLED wireless controls, contact a Dialight sales representative.

### Asia

Part Number	Fixture Lumen	Wattage	lm/W	CCT	Lens	Beam Distribution	Mounting
<b>DALI Models</b>							
RRE-2MC2-ADHN-NGN	11,300	71	159	5000K (cool white)	Acrylic	Medium	Hook
RRE-2MC2-BDHN-NGN	14,300	91	157	5000K (cool white)	Acrylic	Medium	Hook
RRE-2MC2-CDHN-NGN	18,000	114	158	5000K (cool white)	Acrylic	Medium	Hook
RRE-2MC2-EDHN-NGN	24,300	159	153	5000K (cool white)	Acrylic	Medium	Hook
RRE-2MC2-GDHN-NGN	30,000	191	157	5000K (cool white)	Acrylic	Medium	Hook
RRE-2MC2-JDHN-NGN	36,000	232	155	5000K (cool white)	Acrylic	Medium	Hook

All values typical unless otherwise stated (tolerance +/- 10%).  
For additional controls options including occupancy sensor and IntelliLED wireless controls, contact a Dialight sales representative or see spec sheet.

### Australia & Asia Accessories

Part Number	Description
HBXCAB48	1.2m long stainless steel safety rope (for use with safety bracket)
RR-WIRELESS-1	IntelliLED wireless controls - basic
RR-WS-OCC-212	Wattstopper FSP 212 (center mounted) occupancy and daylight harvesting sensor

## Accessories



HBXCAB48



RR-WIRELESS-1



RR-WS-OCC-212

**DISCLAIMER.** All product information provided is, to the best of Dialight's knowledge, accurate as of the date of publication. When ordering, refer to [www.dialight.com](http://www.dialight.com) for current versions of: (a) relevant product documentation (including the relevant product data sheets); (b) Dialight terms and conditions of sale; and, (c) the relevant product warranty. To the extent that any contract is deemed formed between Dialight and the purchaser of Dialight products and/or an end-user, versions of documents available at [www.dialight.com](http://www.dialight.com) as at the date of sale shall be the versions incorporated therein. In the event of any discrepancy between this document or information provided at [www.dialight.com](http://www.dialight.com), the latter shall prevail.

# Vigilant® LED High Bay - CE

## Technical Specifications



Ratings and Certifications
• 10 year warranty
• L70 >150,000 hours @ 25°C ambient
• CE / ENEC / RCM / UL
• IP66
• IK05 (acrylic lens) / IK06 (glass lens) / IK10 (polycarbonate lens)
• D-Marking to EN60598 2-24
• 0-10 V dimming as standard

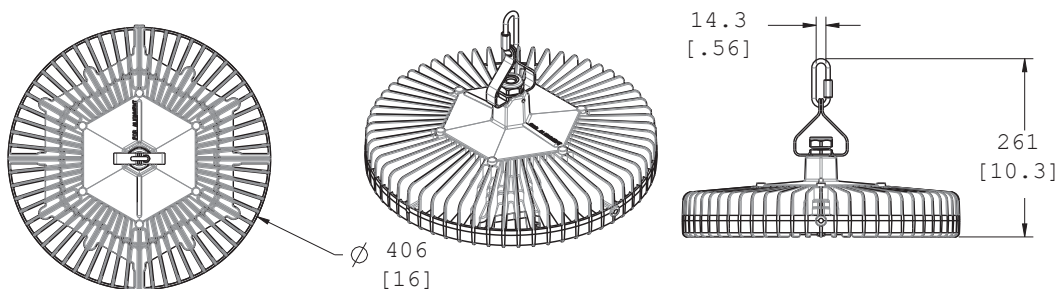
\*All features not available on every model. Please refer to product part number pages for model specifics.

Mechanical Information		Specifications			
<b>Fixture weight:</b>	10.1 kg (22 lb)	<b>Voltage options:</b>	100-277 VAC, 120-250 VDC	<b>Housing:</b>	Copper-free aluminum
<b>Shipping weight:</b>	12.6 kg (28 lb)	<b>Operating temp:</b>	-40°C to +65°C	<b>Lens:</b>	Tempered glass Polycarbonate (flat or dome) Acrylic (flat)
<b>Mounting:</b>	Hook (supplied) or swivel bracket (sold separately) Secondary retention option available	<b>Power factor:</b>	>0.9	<b>Finish:</b>	Superior dual coat finish - Sealed polyester topcoat - Chemical-resistant epoxy primer
<b>Cabling:</b>	1.8m H07RN-F power cord	<b>THD:</b>	<20%	<b>CRI:</b>	80
		<b>Surge protection:</b>	Protection devices capable of handling up to 6kV. Tested for 6kV/2 ohm combination wave, as per IEEE C62.41, line-line and line-ground	<b>CCT:</b>	5000K (cool white) 4000K (neutral white) 2700K (warm white)

	Comparison	
	Warranty	L70
Dialight LED High Bay	10yr	>150,000
Metal Halide	1	15,000
High Pressure Sodium	1	20,000

Lumens	Wattage	lm/W	Mounting Heights
25,250	186	135	12m
			↕
9,950	80	124	5m

### Dimensions



Dimension in mm [inches]

**WARNING - INSTALLATION & SECONDARY RETENTION.** Use of any Dialight products without proper installation (including secondary retention / netting) and periodic inspections could cause severe injury or death. Dialight recommends that all installations should use secondary retention / netting (appropriate to the installation environment) where applicable. It is the exclusive responsibility of the contractor, installer and/or end-user to: (a) determine the suitability of the product for its intended application; and, (b) ensure that the product is safely installed (with secondary retention / netting where appropriate) and in compliance with all applicable laws and regulations. To the extent permissible under applicable laws, Dialight disclaims all liability for personal injury and/or other damage resulting from any dislodgment or other dislocation of its products.

# Vigilant® LED High Bay - CE

## Australia Order Codes

Part Number	Fixture Lumens	Wattage	lm/W	Voltage	Colour Temperature (CCT)	Beam Distribution
<b>CE - Slim Body - Glass Lens - HEE7</b>						
HEE7MN2ANH-VZGN	11,000	81	138	100-277 VAC, 120-250 VDC	4000K (neutral white)	Medium
HEE7MN2BNH-VZGN	13,750	102	115	100-277 VAC, 120-250 VDC	4000K (neutral white)	Medium
HEE7MN2CNH-VZGN	18,000	129	154	100-277 VAC, 120-250 VDC	4000K (neutral white)	Medium
HEE7MN2ENH-VZGN	26,200	186	154	100-277 VAC, 120-250 VDC	4000K (neutral white)	Medium
HEE7MC2ANH-VZGN	11,000	81	138	100-277 VAC, 120-250 VDC	5000K (cool white)	Medium
HEE7MC2BNH-VZGN	14,250	102	140	100-277 VAC, 120-250 VDC	5000K (cool white)	Medium
HEE7MC2CNH-VZGN	19,500	129	151	100-277 VAC, 120-250 VDC	5000K (cool white)	Medium
HEE7MC2ENH-VZGN	26,250	186	141	100-277 VAC, 120-250 VDC	5000K (cool white)	Medium
<b>CE - Slim Body - Acrylic Lens - HEE2</b>						
HEE2MN2ANH-VZGN	10,500	81	131	100-277 VAC, 120-250 VDC	4000K (neutral white)	Medium
HEE2MN2BNH-VZGN	13,250	102	130	100-277 VAC, 120-250 VDC	4000K (neutral white)	Medium
HEE2MN2CNH-VZGN	18,000	129	140	100-277 VAC, 120-250 VDC	4000K (neutral white)	Medium
HEE2MN2ENH-VZGN	24,500	186	132	100-277 VAC, 120-250 VDC	4000K (neutral white)	Medium
HEE2MC2ANH-VZGN	10,750	81	134	100-277 VAC, 120-250 VDC	5000K (cool white)	Medium
HEE2MC2BNH-VZGN	13,750	102	134	100-277 VAC, 120-250 VDC	5000K (cool white)	Medium
HEE2MC2CNH-VZGN	18,000	129	145	100-277 VAC, 120-250 VDC	5000K (cool white)	Medium
HEE2MC2ENH-VZGN	24,500	186	133	100-277 VAC, 120-250 VDC	5000K (cool white)	Medium
<b>CE - Slim Body - Acrylic Lens - HEEL</b>						
HEELMN2ANH-VZGN	9,950	81	124	100-277 VAC, 120-250 VDC	4000K (neutral white)	Medium
HEELMN2BNH-VZGN	12,750	102	125	100-277 VAC, 120-250 VDC	4000K (neutral white)	Medium
HEELMN2CNH-VZGN	17,500	129	136	100-277 VAC, 120-250 VDC	4000K (neutral white)	Medium
HEELMN2ENH-VZGN	23,750	186	128	100-277 VAC, 120-250 VDC	4000K (neutral white)	Medium
HEELMC2ANH-VZGN	10,250	81	128	100-277 VAC, 120-250 VDC	5000K (cool white)	Medium
HEELMC2BNH-VZGN	13,250	102	130	100-277 VAC, 120-250 VDC	5000K (cool white)	Medium
HEELMC2CNH-VZGN	18,000	129	140	100-277 VAC, 120-250 VDC	5000K (cool white)	Medium
HEELMC2ENH-VZGN	24,500	186	132	100-277 VAC, 120-250 VDC	5000K (cool white)	Medium

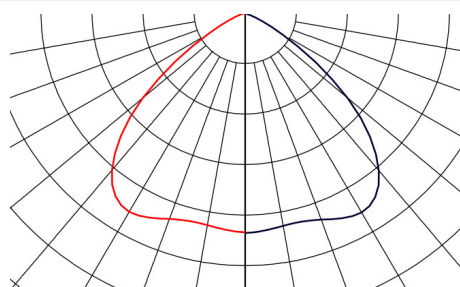
All values typical unless otherwise stated (tolerance +/- 10%).

For additional controls options including IntelliLED wireless controls, contact a Dialight sales representative for spec sheet.

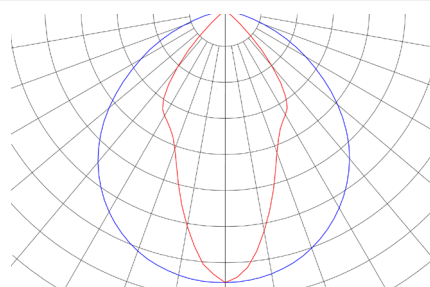
Part numbers listed in **bold** are typically available in stock.

Please see made to order options page 19 for more models available.

### Beam Distribution



Medium



Oval

**DISCLAIMER.** All product information provided is, to the best of Dialight's knowledge, accurate as of the date of publication. When ordering, refer to [www.dialight.com](http://www.dialight.com) for current versions of: (a) relevant product documentation (including the relevant product data sheets); (b) Dialight terms and conditions of sale; and, (c) the relevant product warranty. To the extent that any contract is deemed formed between Dialight and the purchaser of Dialight products and/or an end-user, versions of documents available at [www.dialight.com](http://www.dialight.com) as at the date of sale shall be the versions incorporated therein. In the event of any discrepancy between this document or information provided at [www.dialight.com](http://www.dialight.com), the latter shall prevail.

# Vigilant® LED High Bay - UL

## Technical Specifications



### Ratings and Certifications

- 10 year warranty
- L70 >150,000 hours @ 25°C ambient
- UL 1598/A (wet locations)
- IP66/67
- NEMA 4X
- Up to 145 lm/W
- 0-10 V dimming as standard

\*All features not available on every model. Please refer to product part number pages for model specifics.

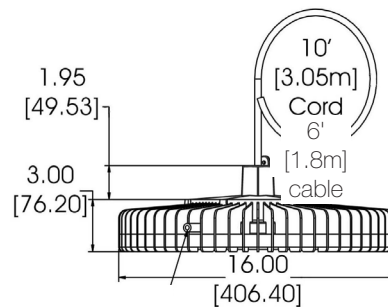
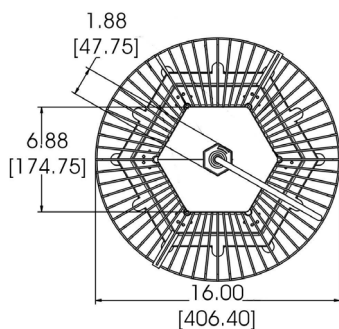
Mechanical Information	
<b>Fixture weight:</b>	20 lb (9.1 kg)
<b>Shipping weight:</b>	26 lb (11.8 kg)
<b>Mounting:</b>	Hook or 3/4" NPT Secondary retention option available
<b>Cabling:</b>	18 AWG STOOW

Specifications	
<b>Voltage options:</b>	100-277 VAC, 120-250 VDC
<b>Operating temp:</b>	-40°C to +65°C
<b>Power factor:</b>	>0.9
<b>THD:</b>	<20%
<b>Surge protection:</b>	Protection devices capable of handling up to 10kv. Tested for 6kv/2 ohm combination wave, as per IEEE C62.41, line-line and line-ground
<b>Housing:</b>	Copper-free aluminum Tempered glass
<b>Lens:</b>	Polycarbonate (flat or dome) Acrylic (flat)
<b>Finish:</b>	Superior dual coat finish - Sealed polyester topcoat - Chemical-resistant epoxy primer
<b>CRI:</b>	80
<b>CCT:</b>	5000K (cool white) 4000K (neutral white) 2700K (warm white)

	Comparison	
	Warranty	L70
Dialight LED High Bay	10yr	>150,000
Metal Halide	1	15,000
High Pressure Sodium	1	20,000

Lumens	Wattage	lm/W	Mounting Heights
25,250	186	135	12m
			↕
11,000	80	137	5m

### Dimensions



Dimension in inches [mm]

**WARNING - INSTALLATION & SECONDARY RETENTION.** Use of any Dialight products without proper installation (including secondary retention / netting) and periodic inspections could cause severe injury or death. Dialight recommends that all installations should use secondary retention / netting (appropriate to the installation environment) where applicable. It is the exclusive responsibility of the contractor, installer and/or end-user to: (a) determine the suitability of the product for its intended application; and, (b) ensure that the product is safely installed (with secondary retention / netting where appropriate) and in compliance with all applicable laws and regulations. To the extent permissible under applicable laws, Dialight disclaims all liability for personal injury and/or other damage resulting from any dislodgment or other dislocation of its products.

# Vigilant® LED High Bay - UL

## Asia Order Codes

Part Number	Legacy Part Number	Fixture Lumens	Wattage	lm/W	Voltage	Colour Temperature (CCT)	Lens	Beam Distribution
<b>UL - 3/4" NPT Models - Neutral White</b>								
HEU7MN2ANN-WNGN	HEGMN4DN-SNG	11,000	80	138	100 - 277 VAC	Neutral White 4000K	Clear Tempered Glass	Medium
HEU7MN2BNN-WNGN	HEGMN4GN-SNG	13,750	102	135	100 - 277 VAC	Neutral White 4000K	Clear Tempered Glass	Medium
<b>HEU7MN2CNN-WNGN</b>	HEGMN4KN-SNG	18,750	129	145	100 - 277 VAC	Neutral White 4000K	Clear Tempered Glass	Medium
HEU7MN2ENN-WNGN	HEGMN4PN-SNG	25,250	186	136	100 - 277 VAC	Neutral White 4000K	Clear Tempered Glass	Medium
<b>UL - 3/4" NPT Models - Cool White</b>								
HEU7MC2ANN-WNGN	HEGMC4DN-SNG	11,250	80	141	100 - 277 VAC	Cool White 5000K	Clear Tempered Glass	Medium
HEU7MC2BNN-WNGN	HEGMC4GN-SNG	14,250	102	140	100 - 277 VAC	Cool White 5000K	Clear Tempered Glass	Medium
<b>HEU7MC2CNN-WNGN</b>	HEGMC4KN-SNG	19,500	129	151	100 - 277 VAC	Cool White 5000K	Clear Tempered Glass	Medium
HEU7MC2ENN-WNGN	HEGMC4PN-SNG	26,250	186	141	100 - 277 VAC	Cool White 5000K	Clear Tempered Glass	Medium
<b>UL - 3/4" NPT Models - Neutral White</b>								
HEU2MN2ANN-WNGN	HE1MN4DN-SNG	10,500	80	131	100 - 277 VAC	Neutral White 4000K	Clear Acrylic	Medium
HEU2MN2BNN-WNGN	HE1MN4GN-SNG	13,250	102	130	100 - 277 VAC	Neutral White 4000K	Clear Acrylic	Medium
<b>HEU2MN2CNN-WNGN</b>	HE1MN4KN-SNG	18,000	129	140	100 - 277 VAC	Neutral White 4000K	Clear Acrylic	Medium
HEU2MN2ENN-WNGN	HE1MN4PN-SNG	24,500	186	132	100 - 277 VAC	Neutral White 4000K	Clear Acrylic	Medium
<b>UL - 3/4" NPT Models - Cool White</b>								
HEU2MC2ANN-WNGN	HE1MC4DN-SNG	10,750	80	134	100 - 277 VAC	Cool White 5000K	Clear Acrylic	Medium
HEU2MC2BNN-WNGN	HE1MC4GN-SNG	13,750	102	135	100 - 277 VAC	Cool White 5000K	Clear Acrylic	Medium
<b>HEU2MC2CNN-WNGN</b>	HE1MC4KN-SNG	18,750	129	145	100 - 277 VAC	Cool White 5000K	Clear Acrylic	Medium
HEU2MC2ENN-WNGN	HE1MC4PN-SNG	25,250	186	145	100 - 277 VAC	Cool White 5000K	Clear Acrylic	Medium

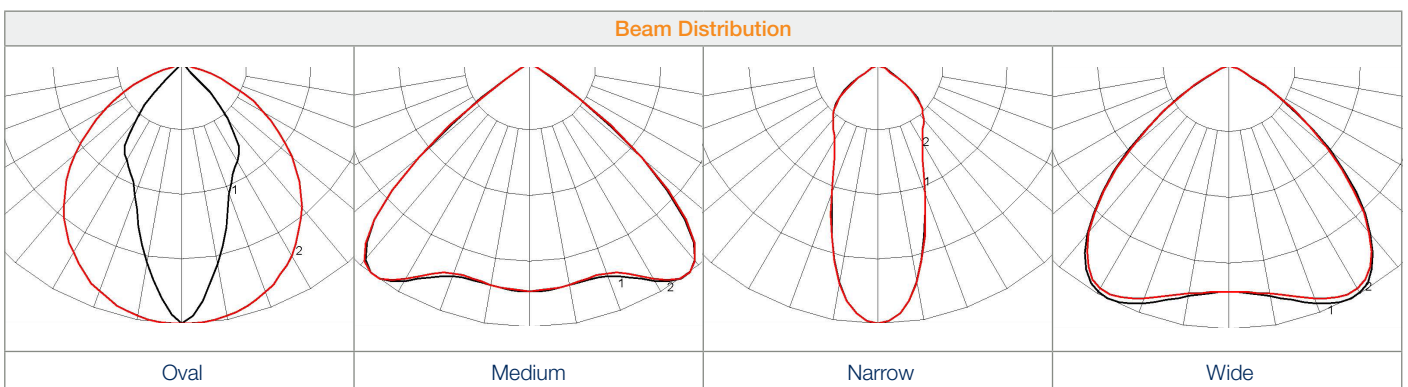
All values typical unless otherwise stated (tolerance +/- 10%).

For additional controls options including IntelliLED wireless controls, contact a Dialight sales representative for spec sheet.

Part numbers listed in **bold** are typically available in stock.

Please see made to order options page 19 for more models available.

Historical part number provided for reference only. For performance characteristics of historical product, please contact your local representative.



**DISCLAIMER.** All product information provided is, to the best of Dialight's knowledge, accurate as of the date of publication. When ordering, refer to [www.dialight.com](http://www.dialight.com) for current versions of: (a) relevant product documentation (including the relevant product data sheets); (b) Dialight terms and conditions of sale; and, (c) the relevant product warranty. To the extent that any contract is deemed formed between Dialight and the purchaser of Dialight products and/or an end-user, versions of documents available at [www.dialight.com](http://www.dialight.com) as at the date of sale shall be the versions incorporated therein. In the event of any discrepancy between this document or information provided at [www.dialight.com](http://www.dialight.com), the latter shall prevail.

# Vigilant® LED High Bay - CE/UL

## Accessories



### HBXW3

- Aluminium swivel bracket

### HBXW3-SS

- 316 stainless steel swivel bracket



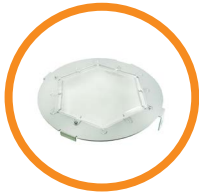
### HBXW3-SSL-316M

- 316 stainless steel adjustable locking bracket



### HBXCAB48

- 48" long stainless steel safety rope (for use with safety retention tabs)



### HBXSBK

- LED High Bay textured flat lens

### HBXSBL

- LED High Bay sacrificial flat lens



### HBXSBDK

- LED High Bay textured dome lens

### HBXSBDL

- LED High Bay sacrificial dome lens



### HBXGS

- Glare shield- grey (RAL7001) powder coated spun aluminium (interior use only, for use with flat lens options)



### HBXW3-SSL-316FTM

- 316 stainless steel forward throw bracket



### HBXDC

- 21° slope dust cover



### HBXCG

- Cable gland



### HBXW2

- Swivel bracket and cable gland

### HBXW3

- Swivel bracket



### HBXSB

- 316 stainless steel safety retention tabs (4x)



### HBXDUALBRCKT

- Dual bracket



### HBXCU

- Ceiling / wall mount



### HBXFLAG-Y HBXFLAG-O

- Yellow aluminium
- Orange aluminium



### HBXREF16

- Acrylic reflector
- Field retro-fit kit
- Not applicable for use with a dome lens



### H6X-H

- Hook option for 347/480 VAC transformer models



### HBXH

- Hook



### HBXL

- Loop

# Vigilant® LED High Bay - CE/UL

## Ordering Options

<b>Product Type</b> Integrated Pendant Wiring Box High Bay 3/4" NPT - Standard Integrated Hexagon Wiring Box High Bay Hooked - Standard	<b>CCT &amp; CRI</b> Cool White 5000K - 80 CRI Neutral White 4000K - 80 CRI Warm White 2700K - 80 CRI	<b>Controls</b> Non Dimming Dimming (0-10 VDC) Occupancy Sensor	<b>Electrical Accessories</b> Plug NEMA Type L5-15 (Non Dimmable) Plug NEMA Type L5-20 (Non Dimmable) Plug NEMA Type L6-15 (Non Dimmable) Plug NEMA Type L6-20 (Non Dimmable) Plug NEMA Type L7-15 (Non Dimmable) Plug NEMA Type L7-20 (Non Dimmable) Connector Reloc OCS12010WH (Non Dimmable) Connector Reloc OCS20810WH (Non Dimmable) Connector Reloc OCS27710WH (Non Dimmable) UL Standard No Plug CE Standard 3-Pin AU plug
<b>Certification</b> UL 1598/A, CSA 22.2 No. 250 CE / RCM	<b>Operating Voltage</b> 100-277 VAC / 120-250 VDC 347-480 VAC Step Down Transformer (passive only) 480 VAC (passive only) 347 VAC (passive only)	<b>Mounting Options</b> Hook/Loop Pendant 3/4" NPT Pendant 3/4" NPT with Safety Retention Tabs Hook with Safety Retention Tabs	
<b>Lens Material</b> Acrylic - Clear Polycarbonate - Clear Polycarbonate - Diffused Glass - Clear Polycarbonate Dome - Diffused Power Wash Glass - Clear Power Wash Polycarbonate - Clear *All lens options flat except L	<b>Lumen Type</b> 10,500 Lumens 13,250 Lumens 17,500 Lumens 26,000 Lumens	<b>Power Cable Length</b> No Power Cable (HC & HW only) 6' [1.8 meter] Power Cable 10' [3 meter] Power Cable	<b>Coatings</b> Gray (RAL 7040) Orange White
<b>Beam Distribution</b> Oval Medium Narrow Wide			

**DISCLAIMER.** All product information provided is, to the best of Dialight's knowledge, accurate as of the date of publication. When ordering, refer to [www.dialight.com](http://www.dialight.com) for current versions of: (a) relevant product documentation (including the relevant product data sheets); (b) Dialight terms and conditions of sale; and, (c) the relevant product warranty. To the extent that any contract is deemed formed between Dialight and the purchaser of Dialight products and/or an end-user, versions of documents available at [www.dialight.com](http://www.dialight.com) as at the date of sale shall be the versions incorporated therein. In the event of any discrepancy between this document or information provided at [www.dialight.com](http://www.dialight.com), the latter shall prevail.

# Vigilant® LED Low Bay - CE

## Technical Specifications



### Ratings and Certifications

- 10 year warranty
- L70 >150,000 hours @ 25°C ambient
- CE / ENEC / RCM
- IP66
- IK05 (acrylic lens) / IK06 (glass lens) / IK10 (polycarbonate lens)
- D-Marking to EN60598 2-24
- 0-10 V dimming as standard

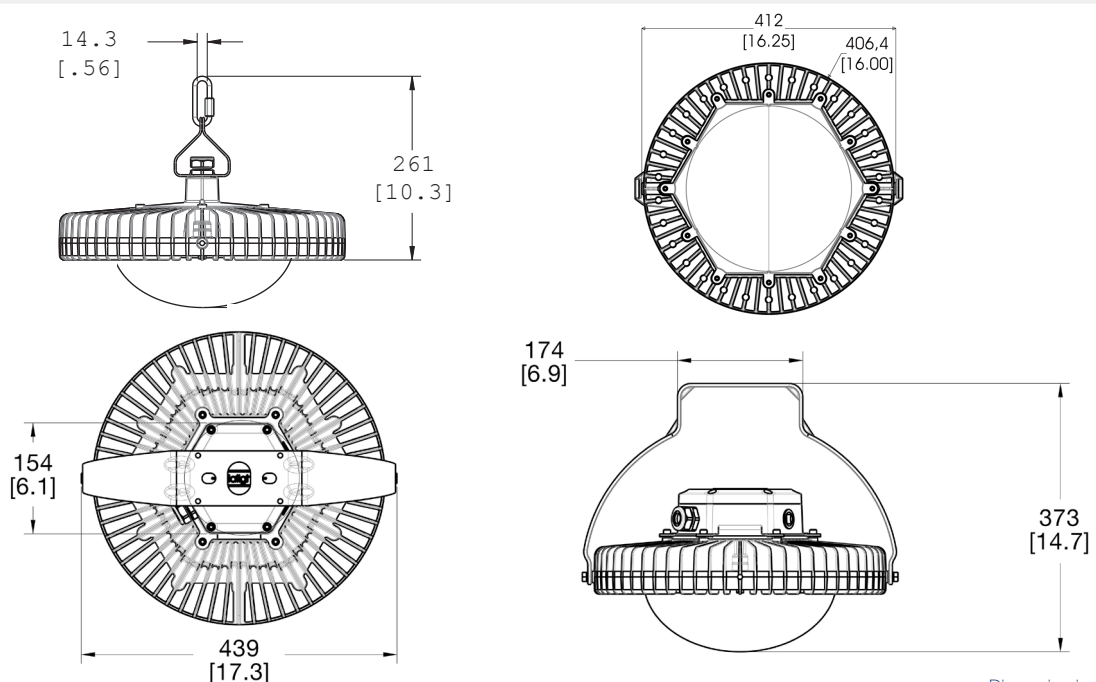
\*All features not available on every model. Please refer to product part number pages for model specifics.

Mechanical Information		Specifications	
<b>Fixture weight:</b>	8.2 kg (18 lb)	<b>Voltage options:</b>	100-277 VAC, 120-250 VDC
<b>Shipping weight:</b>	10.9 kg (24 lb)	<b>Operating temp:</b>	-40°C to +65°C
<b>Mounting:</b>	Hook or swivel bracket	<b>Power factor:</b>	>0.9
	Secondary retention option available	<b>THD:</b>	<20%
<b>Cabling:</b>	1.8m H07RN-F power cord or 3x M25 junction box with controls terminals	<b>Surge protection:</b>	Protection devices capable of handling up to 6kV. Tested for 6kV/2 ohm combination wave, as per IEEE C62.41, line-line and line-ground
	<b>Housing:</b>		Copper-free aluminum
		<b>Lens:</b>	Polycarbonate dome
		<b>Finish:</b>	Superior dual coat finish - Sealed polyester topcoat - Chemical-resistant epoxy primer
		<b>CRI:</b>	80
		<b>CCT:</b>	5000K (cool white)
			4000K (neutral white)
			2700K (warm white)

	Comparison	
	Warranty	L70
Dialight LED Low Bay	10yr	>150,000
Metal Halide	1	15,000
High Pressure Sodium	1	20,000

Lumens	Wattage	lm/W	Mounting Heights
8,750	80	109	Up to 7m

### Dimensions



Dimension in mm [inches]

**WARNING - INSTALLATION & SECONDARY RETENTION.** Use of any Dialight products without proper installation (including secondary retention / netting) and periodic inspections could cause severe injury or death. Dialight recommends that all installations should use secondary retention / netting (appropriate to the installation environment) where applicable. It is the exclusive responsibility of the contractor, installer and/or end-user to: (a) determine the suitability of the product for its intended application; and, (b) ensure that the product is safely installed (with secondary retention / netting where appropriate) and in compliance with all applicable laws and regulations. To the extent permissible under applicable laws, Dialight disclaims all liability for personal injury and/or other damage resulting from any dislodgment or other dislocation of its products.



# Vigilant® LED Low Bay - CE

## Australia Order Codes

Current Part Number	Historic Part Number	Fixture Lumens	Wattage	lm/W	Voltage	Colour Temperature (CCT)	Lens	Beam Distribution
CE - Standard Model with Hook								
<b>LEELUN29NH-VZGN</b>	LBW1C1DAUH	8,750	80	109	100-277 VAC, 120-250 VDC	4000K (neutral white)	Polycarbonate	Wide
CE - Integrated Wiring Box Model with Bracket								
LWELUN29DA-NNGN		8,750	80	109	100-277 VAC, 120-250 VDC	4000K (neutral white)	Polycarbonate	Wide

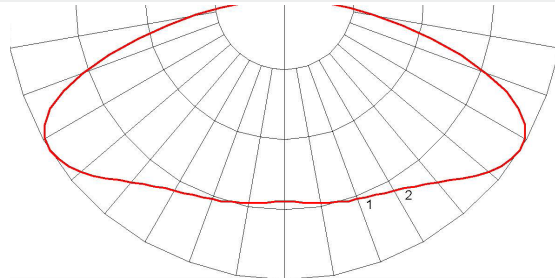
All values typical unless otherwise stated (tolerance +/- 10%).

Part numbers listed in **bold** are typically available in stock.

Please see made to order options page 25 for more models available.

Historical part number provided for reference only. For performance characteristics of historical product, please contact your local representative.

Beam Distribution



Ultra Wide

# Vigilant® LED Low Bay - UL

## Technical Specifications



### Ratings and Certifications

- 10 year warranty
- L70 >150,000 hours @ 25°C ambient
- UL 1598/A (wet locations)
- IP66/67
- NEMA 4X
- Up to 109 lm/W
- 0-10 V dimming as standard

\*All features not available on every model. Please refer to product part number pages for model specifics.

### Mechanical Information

<b>Fixture weight:</b>	20 lb (9.1 kg)
<b>Shipping weight:</b>	26 lb (11.8 kg)
<b>Mounting:</b>	Hook or 3/4" NPT or swivel bracket Secondary retention option available
<b>Cabling:</b>	3m power cable or 3 x 3/4" NPT junction box with controls terminals

### Specifications

<b>Voltage options:</b>	100-277 VAC, 120-250 VDC	<b>Housing:</b>	Copper-free aluminum
<b>Operating temp:</b>	-40°C to +65°C	<b>Lens:</b>	Tempered glass Polycarbonate (flat or dome) Acrylic (flat)
<b>Power factor:</b>	>0.9	<b>Finish:</b>	Superior dual coat finish - Sealed polyester topcoat - Chemical-resistant epoxy primer
<b>THD:</b>	<20%	<b>CRI:</b>	80
<b>Surge protection:</b>	Protection devices capable of handling up to 10kv. Tested for 6kv/2 ohm combination wave, as per IEEE C62.41, line-line and line-ground	<b>CCT:</b>	5000K (cool white) 4000K (neutral white) 2700K (warm white)

### Comparison

	Warranty	L70
Dialight LED High Bay	10yr	>150,000
Metal Halide	1	15,000
High Pressure Sodium	1	20,000

### Lumens

### Wattage

### lm/W

### Mounting Heights

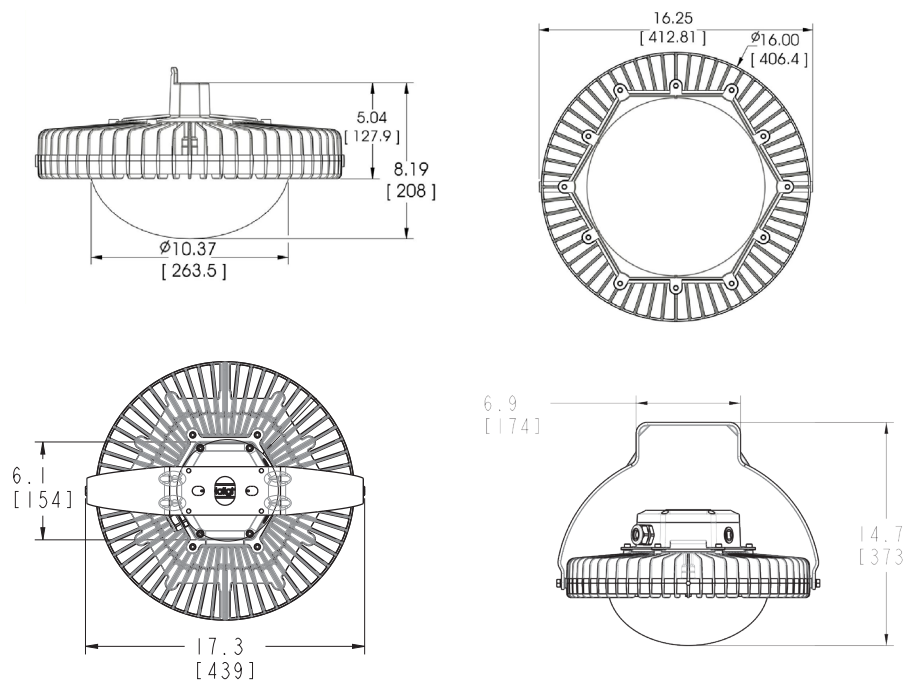
8,750

80

109

10m - 5m

### Dimensions



Dimension in inches [mm]

**WARNING - INSTALLATION & SECONDARY RETENTION.** Use of any Dialight products without proper installation (including secondary retention / netting) and periodic inspections could cause severe injury or death. Dialight recommends that all installations should use secondary retention / netting (appropriate to the installation environment) where applicable. It is the exclusive responsibility of the contractor, installer and/or end-user to: (a) determine the suitability of the product for its intended application; and, (b) ensure that the product is safely installed (with secondary retention / netting where appropriate) and in compliance with all applicable laws and regulations. To the extent permissible under applicable laws, Dialight disclaims all liability for personal injury and/or other damage resulting from any dislodgment or other dislocation of its products.

# Vigilant® LED Low Bay - UL

## Asia Order Codes

Current Part Number	Historic Part Number	Fixture Lumens	Wattage	lm/W	Voltage	Colour Temperature (CCT)	Lens	Beam Distribution
<b>UL - Standard Model</b>								
<b>LEULUN29NN-WNGN</b>	HBWN4L	8,750	80	109	100-277 VAC, 120-250 VDC	4000K (neutral white)	Polycarbonate	Wide
<b>UL - Integrated Wiring Box Model with Bracket</b>								
<b>LWULUN29DA-NNGN</b>		8,750	80	109	100-277 VAC, 120-250 VDC	4000K (neutral white)	Polycarbonate	Wide

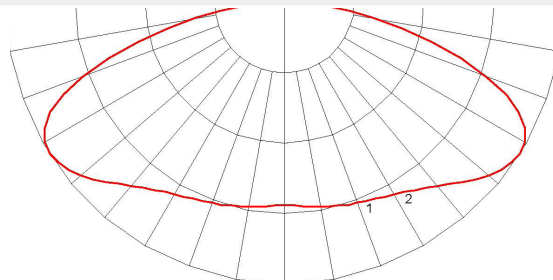
All values typical unless otherwise stated (tolerance +/- 10%).

Part numbers listed in **bold** are typically available in stock.

Please see made to order options page 25 for more models available.

Historical part number provided for reference only. For performance characteristics of historical product, please contact your local representative.

**Beam Distribution**



Ultra Wide

# Vigilant® LED Low Bay - CE/UL

## Accessories



### HBXW3

- Aluminium swivel bracket

### HBXW3-SS

- 316 stainless steel swivel bracket



### HBXW3-SSL-316M

- 316 stainless steel bracket



### HBXCAB48

- 48" long stainless steel safety rope (for use with safety retention tabs)



### HBXSBK

- Sand blast kit (flat lens)

### HBXSBL

- Sacrificial flat lens



### HBXSBDK

- Textured dome lens

### HBXSBDL

- Sacrificial dome lens



### HBXGS

- Glare shield (interior use only, for use with flat lens options)



### HBXCU

- Ceiling / wall mount



### HBXSB

- 316 stainless steel safety retention tabs (4x)



### HBXDUALBRCKT

- Dual bracket



### HBXFLAG-Y

### HBXFLAG-O

- Yellow aluminum
- Orange aluminum

# Vigilant® LED Low Bay - CE/UL

## Ordering Options

<b>Product Type</b> <hr/> Integrated Pendant Wiring Box <hr/> Low Bay - Standard <hr/> Integrated Hexagon Wiring Box <hr/>	<b>CCT &amp; CRI</b> <hr/> Cool White 5000K - 80 CRI <hr/> Neutral White 4000K - 80 CRI <hr/> Warm White 2700K - 80 CRI <hr/>	<b>Controls</b> <hr/> Non Dimming <hr/> Dimming (0-10 VDC) <hr/> Occupancy Sensor <hr/>	<b>Electrical Accessories</b> <hr/> Plug NEMA Type L5-15 (Non Dimmable) <hr/> Plug NEMA Type L5-20 (Non Dimmable) <hr/> Plug NEMA Type L6-15 (Non Dimmable) <hr/> Plug NEMA Type L6-20 (Non Dimmable) <hr/> Plug NEMA Type L7-15 (Non Dimmable) <hr/> Plug NEMA Type L7-20 (Non Dimmable) <hr/> Connector Reloc OCS12010WH (Non Dimmable) <hr/> Connector Reloc OCS20810WH (Non Dimmable) <hr/> Connector Reloc OCS27710WH (Non Dimmable) <hr/> UL Standard No Plug <hr/> CE Standard 3-Pin AU plug <hr/>
<b>Certification</b> <hr/> UL 1598/A <hr/> CE / RCM <hr/>	<b>Operating Voltage</b> <hr/> 347-480 VAC Step Down Transformer (Low Bay only) <hr/> 100-277 VAC / 120-250 VDC <hr/>	<b>Mounting Options</b> <hr/> Hook/Loop <hr/> Pendant 3/4" NPT <hr/> Pendant 3/4" NPT with Safety Retention Tabs <hr/> Hook with Safety Retention Tabs <hr/>	
<b>Lens Material</b> <hr/> Acrylic - Clear <hr/> Polycarbonate - Clear <hr/> Polycarbonate - Diffused <hr/> Polycarbonate Dome - Diffused <hr/> Glass - Clear <hr/>	<b>Lumen Type</b> <hr/> 4,000 Lumens <hr/> 6,000 Lumens <hr/> 9,000 Lumens <hr/> 14,000 Lumens <hr/> 18,000 Lumens <hr/>	<b>Power Cable Length</b> <hr/> No Power Cable (HC & HW only) <hr/> 6' [1.8 meter] Power Cable <hr/> 10' [3 meter] Power Cable <hr/>	
<b>Beam Distribution</b> <hr/> Ultra Wide <hr/>			<b>Coatings</b> <hr/> Gray (RAL 7040) <hr/> Orange <hr/> White <hr/>

**DISCLAIMER.** All product information provided is, to the best of Dialight's knowledge, accurate as of the date of publication. When ordering, refer to [www.dialight.com](http://www.dialight.com) for current versions of: (a) relevant product documentation (including the relevant product data sheets); (b) Dialight terms and conditions of sale; and, (c) the relevant product warranty. To the extent that any contract is deemed formed between Dialight and the purchaser of Dialight products and/or an end-user, versions of documents available at [www.dialight.com](http://www.dialight.com) as at the date of sale shall be the versions incorporated therein. In the event of any discrepancy between this document or information provided at [www.dialight.com](http://www.dialight.com), the latter shall prevail.

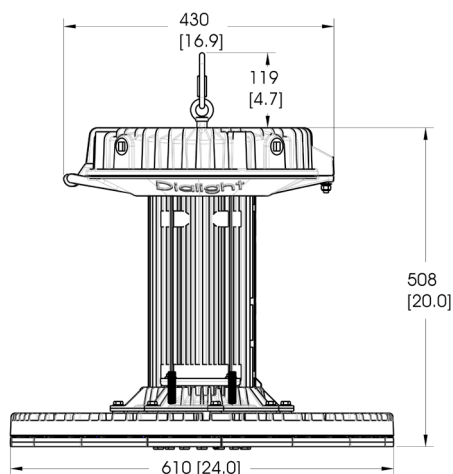
# Vigilant® LED High Bay - High Output

## Standard Models



### Certifications & Ratings

- CE
  - EN 55015:2013
  - EN 60598:2008
  - EN 61547:2009
  - EN 62471:2008
- ENEC
  - RCM
  - UL 1598/A
  - IK06 to EN50102
  - IP66/67



Dimensions in mm [inches]

### Mechanical Information:

<b>120-277 VAC model complete fixture weight:</b>	28.6 kg (63.1 lbs)
Wiring box:	3.2 kg (7.1 lbs) [mount first]
Light engine (base):	25.4 kg (56.0 lbs) [mount last]
<b>Shipping weight:</b>	37.5 kg (82.6 lbs)
<b>415 VAC model complete fixture weight:</b>	35.8 kg (79 lbs)
Wiring box:	10.4 kg (23 lbs) [mount first]
Light engine (base):	25.4 kg (56.0 lbs) [mount last]
<b>Shipping weight:</b>	44.7 kg (98.6 lbs)

Note that the wire box is installed separately from the housing. This allows single installer for fixtures.

<b>Box dimensions (cm):</b>	Length - 64, Width - 56.5, Height - 72.7
<b>Mounting:</b>	Hook mount Secondary retention standard
<b>Cable entry:</b>	(4) M25 - sides
<b>Terminals:</b>	5 position, 0.5-4 mm <sup>2</sup>

### Materials:

<b>Housing:</b>	Die cast aluminium alloy A360
<b>Hardware:</b>	18-8 stainless steel
<b>Hook:</b>	304 stainless steel
<b>Safety shackle:</b>	304 stainless steel
<b>Safety rope:</b>	Optional 316 stainless steel safety rope, 304 stainless steel crimp

### Gaskets:

<b>Light engine:</b>	Santoprene
<b>Wiring box:</b>	Silicone
<b>Power supply (ends):</b>	EPDM
<b>Lens:</b>	Tempered glass, acrylic or UV stabilized polycarbonate
<b>Fixture finish:</b>	Superior dual coat finish - Sealed polyester topcoat - Chemical-resistant epoxy primer

### Electrical Specifications:

<b>Operating voltage:</b>	120-277 VAC, 50/60 Hz 415 VAC
<b>Operating temperature:</b>	-40°C to +65°C (-40°F to +149°F)
<b>Total system power consumption:</b>	See table
<b>EMC:</b>	EN 62493: 2015, EN 61547: 2009, EN 61000-3-2: 2015, EN 61000-3-3: 2013
<b>Transient protection:</b>	6kV/3kA combination wave, as per IEEE C62.41, line-line and line-ground
<b>THD:</b>	EN55015:2013 < 20%
<b>Harmonics:</b>	IEC 61000-3-2, Class C
<b>Power factor:</b>	> 0.9

### Variable Dimming:

<b>Variable dimming control:</b>	0-10 VDC
<b>Dimming range:</b>	10 VDC = 100% light output 0 VDC = 5% light output

### Photometric Information:

<b>CRI:</b>	80
<b>CCT:</b>	5000K (cool white) 4000K (neutral white)

All values typical unless otherwise stated (tolerance +/- 10%)

**WARNING - INSTALLATION & SECONDARY RETENTION.** Use of any Dialight products without proper installation (including secondary retention / netting) and periodic inspections could cause severe injury or death. Dialight recommends that all installations should use secondary retention / netting (appropriate to the installation environment) where applicable. It is the exclusive responsibility of the contractor, installer and/or end-user to: (a) determine the suitability of the product for its intended application; and, (b) ensure that the product is safely installed (with secondary retention / netting where appropriate) and in compliance with all applicable laws and regulations. To the extent permissible under applicable laws, Dialight disclaims all liability for personal injury and/or other damage resulting from any dislodgment or other dislocation of its products.

# Ordering Information

## Vigilant® LED High Bay - High Output - Standard Models



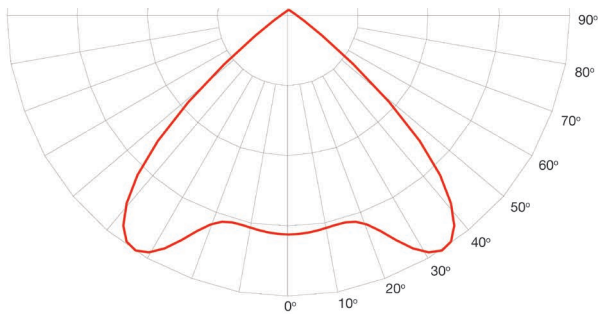
Part Number	Fixture Lumen	Watt	lm/W	IP Rating	Voltage	CCT	Lens	Beam Distribution
CE Standard Models - 120-277 VAC								
H6E-7NN2-KDHN-NGN	45,000	309	146	IP66/67	120-277 VAC	4000K (neutral white)	Glass	Narrow
H6E-7MN2-KDHN-NGN	45,000	309	146	IP66/67	120-277 VAC	4000K (neutral white)	Glass	Medium
H6E-7NN2-NDHN-NGN	60,000	414	145	IP66/67	120-277 VAC	4000K (neutral white)	Glass	Narrow
H6E-7MN2-NDHN-NGN	60,000	414	145	IP66/67	120-277 VAC	4000K (neutral white)	Glass	Medium
H6E-7NN2-RDHN-NGN	72,000	484	149	IP66/67	120-277 VAC	4000K (neutral white)	Glass	Narrow
CE Standard Models - 415 VAC Models								
H6E-7NNC-KDHN-NGN	45,000	324	139	IP66/67	415 VAC	4000K (neutral white)	Glass	Narrow
H6E-7MNC-KDHN-NGN	45,000	324	139	IP66/67	415 VAC	4000K (neutral white)	Glass	Medium
H6E-7NNC-NDHN-NGN	60,000	431	139	IP66/67	415 VAC	4000K (neutral white)	Glass	Narrow
H6E-7MNC-NDHN-NGN	60,000	431	139	IP66/67	415 VAC	4000K (neutral white)	Glass	Medium
H6E-7NNC-RDHN-NGN	72,000	506	142	IP66/67	415 VAC	4000K (neutral white)	Glass	Narrow
UL Standard Models - 100-277 VAC								
H6U-7NN2-KDHN-NGN	45,000	309	146	IP66/67	120-277 VAC	4000K (neutral white)	Glass	Narrow
H6U-7MN2-KDHN-NGN	45,000	309	146	IP66/67	120-277 VAC	4000K (neutral white)	Glass	Medium
H6U-7NN2-NDHN-NGN	60,000	414	145	IP66/67	120-277 VAC	4000K (neutral white)	Glass	Narrow
H6U-7MN2-NDHN-NGN	60,000	414	145	IP66/67	120-277 VAC	4000K (neutral white)	Glass	Medium
H6U-7NN2-RDHN-NGN	72,000	484	149	IP66/67	120-277 VAC	4000K (neutral white)	Glass	Narrow

All values typical unless otherwise stated (tolerance +/- 10%).

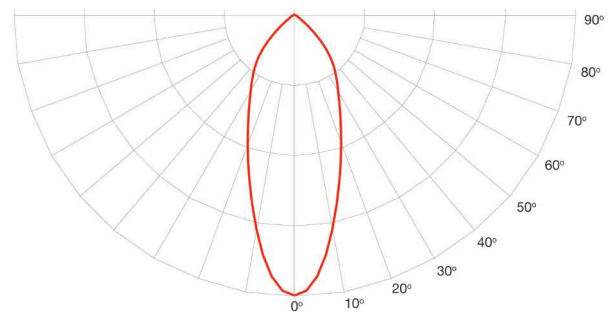
All models shown in table are 4000K (neutral white) CCT. For 5000K (cool white) CCT replace the 6th character with a **C**. Example: H6E-7NN2-RDHN-NGN becomes H6E-7NC2-RDHN-NGN.

45,000 lumen output fixture available with factory installed occupancy sensor for mounting heights of up to 12m. Consult factory for more information.

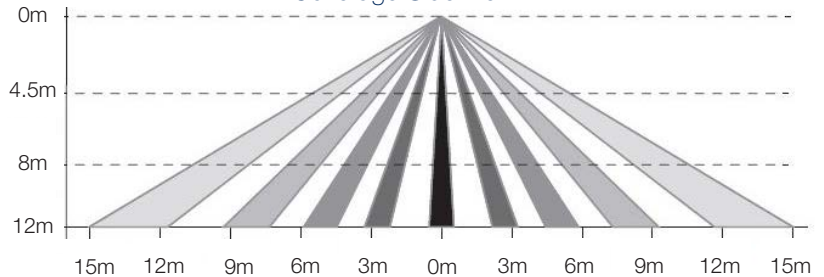
### Medium



### Narrow



Coverage Side View



### HBXFSIRREMOTE

- Remote for occupancy sensor

**DISCLAIMER.** All product information provided is, to the best of Dialight's knowledge, accurate as of the date of publication. When ordering, refer to [www.dialight.com](http://www.dialight.com) for current versions of: (a) relevant product documentation (including the relevant product data sheets); (b) Dialight terms and conditions of sale; and, (c) the relevant product warranty. To the extent that any contract is deemed formed between Dialight and the purchaser of Dialight products and/or an end-user, versions of documents available at [www.dialight.com](http://www.dialight.com) as at the date of sale shall be the versions incorporated therein. In the event of any discrepancy between this document or information provided at [www.dialight.com](http://www.dialight.com), the latter shall prevail.

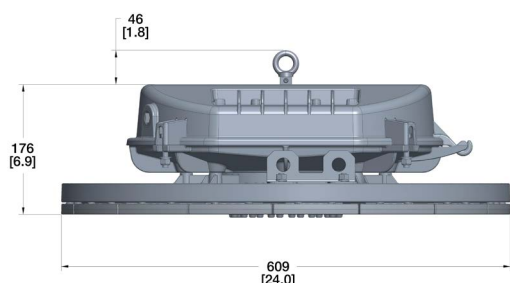
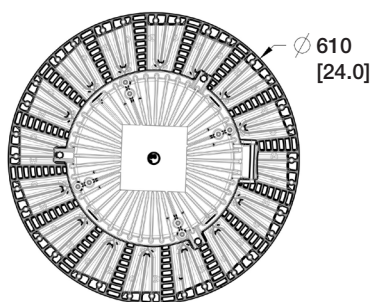
# Vigilant® LED High Output High Bay - Low Profile

## Technical Specification



### Certifications & Ratings

- 10 year warranty
- CE / RCM / ENEC
- IP66/67
- IK10 (polycarbonate) / IK06 (glass)
- L70 > 150,000 hours
- Factory installed secondary retention bracket, optional safety cable accessory available



Dimensions in mm [inches]

### Mechanical Information:

**Fixture weight:** 21.8 kg (48 lbs)

**Shipping weight:** 28.1 kg (62 lbs)

**Mounting:** (1) Loop

**Wiring entries:** (2) M25

### Materials:

**Housing:** A360 Die-cast aluminium

**Finish:** Superior dual coat finish  
 - Sealed polyester topcoat  
 - Chemical-resistant epoxy primer

**Lens options:** Tempered glass, Acrylic or Polycarbonate

**Hardware:** 316 Stainless Steel

### Electrical Specifications:

**Operating voltage:** 120-277 VAC, 50/60Hz

**Total system power consumption:** See table

**Operating temperature:** -40°C to +65°C

**Harmonics:** IEC 61000-3-2 Class C

**Surge protection:** Tested to IEC 61000-4-5  
 6kV/3kA, 1.2/50, 8/20us  
 Combination wave  
 Line-line and line-ground

**THD:** < 20%

**Power factor:** > 0.9

### Photometric Information:

**CRI:** 80

**CCT:** 5000K (cool white)  
 4000K (neutral white)

All values typical unless otherwise stated (tolerance +/- 10%)

**WARNING - INSTALLATION & SECONDARY RETENTION.** Use of any Dialight products without proper installation (including secondary retention / netting) and periodic inspections could cause severe injury or death. Dialight recommends that all installations should use secondary retention / netting (appropriate to the installation environment) where applicable. It is the exclusive responsibility of the contractor, installer and/or end-user to: (a) determine the suitability of the product for its intended application; and, (b) ensure that the product is safely installed (with secondary retention / netting where appropriate) and in compliance with all applicable laws and regulations. To the extent permissible under applicable laws, Dialight disclaims all liability for personal injury and/or other damage resulting from any dislodgment or other dislocation of its products.



# Vigilant® LED High Output High Bay - Low Profile

## Ordering Information & Mounting Accessories

Part Number	Fixture Lumen	Watt	lm/W	Voltage	CCT	CRI	Lens	Beam Distribution	Dimming
<b>CE Standard Models - 120-277 VAC Models</b>									
H7E-7NN2-KDHN-NGN	46,000	300	153	120-277 VAC	4000K (neutral white)	80	Glass	Narrow	0-10V
H7E-7MN2-KDHN-NGN	46,000	300	153	120-277 VAC	4000K (neutral white)	80	Glass	Medium	0-10V
<b>H7E-7NN2-NDHN-NGN</b>	61,200	418	146	120-277 VAC	4000K (neutral white)	80	Glass	Narrow	0-10V
H7E-7MN2-NDHN-NGN	61,200	418	146	120-277 VAC	4000K (neutral white)	80	Glass	Medium	0-10V
H7E-7NN2-RDHN-NGN	70,500	485	145	120-277 VAC	4000K (neutral white)	80	Glass	Narrow	0-10V
H7E-7NC2-KDHN-NGN	46,000	300	153	120-277 VAC	5000K (cool white)	80	Glass	Narrow	0-10V
H7E-7MC2-KDHN-NGN	46,000	300	153	120-277 VAC	5000K (cool white)	80	Glass	Medium	0-10V
H7E-7NC2-NDHN-NGN	61,200	418	146	120-277 VAC	5000K (cool white)	80	Glass	Narrow	0-10V
H7E-7MC2-NDHN-NGN	61,200	418	146	120-277 VAC	5000K (cool white)	80	Glass	Medium	0-10V
H7E-7NC2-RDHN-NGN	70,500	485	145	120-277 VAC	5000K (cool white)	80	Glass	Narrow	0-10V

All values typical unless otherwise stated (tolerance +/- 10%).

Part numbers listed in **bold** are typically available in stock.

Cool white color temperature (5000K) is available for products in the above table. Replace the sixth character **N** with **C**. Ex. H7E-7**M**N2-RDHN-NGN becomes H7E-7**M**C2-RDHN-NGN.

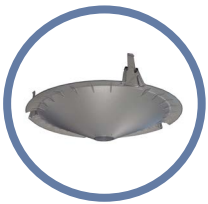


### H6XCAB72

- 72" stainless steel safety rope

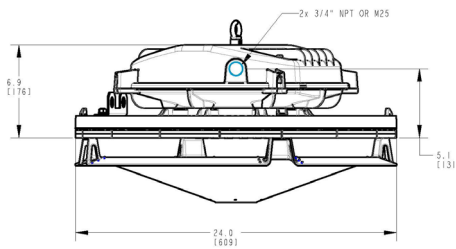
### H6XCAB60

- 60" stainless steel safety rope



### H6XDIFFUSER

- Diffuser
- Patent pending



Dimensions in inches [mm]

**DISCLAIMER.** All product information provided is, to the best of Dialight's knowledge, accurate as of the date of publication. When ordering, refer to [www.dialight.com](http://www.dialight.com) for current versions of: (a) relevant product documentation (including the relevant product data sheets); (b) Dialight terms and conditions of sale; and, (c) the relevant product warranty. To the extent that any contract is deemed formed between Dialight and the purchaser of Dialight products and/or an end-user, versions of documents available at [www.dialight.com](http://www.dialight.com) as at the date of sale shall be the versions incorporated therein. In the event of any discrepancy between this document or information provided at [www.dialight.com](http://www.dialight.com), the latter shall prevail.

# Vigilant® LED Single and Dual Floodlight - CE

## Technical Specifications



### Ratings and Certifications

- 10 year warranty
- CE / ENEC / RCM
- IP66
- NEMA 4X
- L70 >150,000 hours @ 25°C ambient

\*All features not available on every model. Please refer to product part number pages for model specifics.

### Mechanical Information

<b>Fixture weight:</b>	
Single:	13.6 kg (30 lb)
Dual:	25.4 kg (56 lb)
<b>Shipping weight:</b>	
Single:	15.9 kg (35 lb)
Dual:	27.2 kg (60 lb)
<b>Mounting:</b>	304 stainless steel forward throw or trunnion mounting bracket included Secondary retention standard
<b>Cable Entries:</b>	(2) M20 or M25 (single model) cable entries
<b>Terminals:</b>	0.5-4mm <sup>2</sup> via integrated junction box

### Specifications

<b>Voltage options:</b>	100-277 VAC, 50/60Hz 120-250 VDC	<b>Housing:</b>	Copper-free aluminium
<b>Operating temp:</b>	-40°C to +65°C	<b>Len:</b>	Tempered glass
<b>Power factor:</b>	>0.9	<b>Finish:</b>	Superior dual coat finish - Sealed polyester topcoat - Chemical-resistant epoxy primer
<b>THD:</b>	<20%	<b>CRI:</b>	80
<b>Surge protection:</b>	6kV/2 ohm combination wave, as per IEEE C62.41, line-to-line & line-to-ground		
		<b>CCT:</b>	5000K (cool white) 4000K (neutral white) 2700K (warm white)

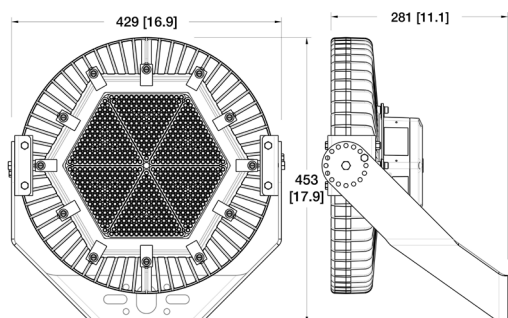
### Comparison

	Warranty	L70
Dialight LED Floodlight	10yr	>150,000
Metal Halide	1	15,000
High Pressure Sodium	1	20,000

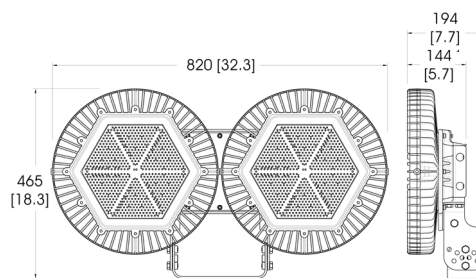
### Comparison

Lumens	Wattage	lm/W	Mounting Heights
56,000	385	145	Up to 25m
54,000	385	140	
28,000	190	145	15m

### Single Model Dimensions

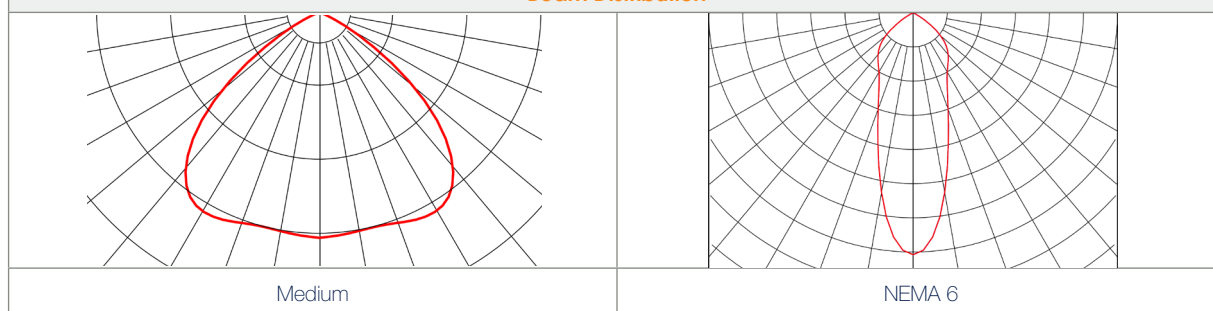


### Dual Model Dimensions



Dimension in mm [inches]

### Beam Distribution



**WARNING - INSTALLATION & SECONDARY RETENTION.** Use of any Dialight products without proper installation (including secondary retention / netting) and periodic inspections could cause severe injury or death. Dialight recommends that all installations should use secondary retention / netting (appropriate to the installation environment) where applicable. It is the exclusive responsibility of the contractor, installer and/or end-user to: (a) determine the suitability of the product for its intended application; and, (b) ensure that the product is safely installed (with secondary retention / netting where appropriate) and in compliance with all applicable laws and regulations. To the extent permissible under applicable laws, Dialight disclaims all liability for personal injury and/or other damage resulting from any dislodgment or other dislocation of its products.

# Vigilant® LED Single and Dual Floodlight - CE

## Australia Order Codes

Platform Part Number	Part Number	Fixture Lumens	Wattage	lm/W	Voltage	Colour Temperature (CCT)	Lens	Beam Distribution
<b>CE - Single Floodlight Models</b>								
FSE76C2EDDNGN	<b>FLE666HC2NG</b>	28,000	190	147	100-277 VAC, 120-250 VDC	5000K (cool white)	Tempered Glass	NEMA 6
FSE76N2EDDNGN	<b>FLE666HN2NG</b>	26,750	190	140	100-277 VAC, 120-250 VDC	4000K (neutral white)	Tempered Glass	NEMA 6
<b>CE - Dual Floodlight Models</b>								
FDE7MC2MDSNNGN	<b>FLEBM0MC2NG</b>	54,000	385	140	100-277 VAC, 120-250 VDC	5000K (cool white)	Tempered Glass	Medium
FDE7MN2MDSNNGN	<b>FLEBM0MN2NG</b>	51,500	385	134	100-277 VAC, 120-250 VDC	4000K (neutral white)	Tempered Glass	Medium
FDE76C2MDSNNGN	<b>FLEB66MC2NG</b>	56,000	385	145	100-277 VAC, 120-250 VDC	5000K (cool white)	Tempered Glass	NEMA 6
FDE76N2MDSNNGN	<b>FLEB66MN2NG</b>	53,500	385	139	100-277 VAC, 120-250 VDC	4000K (neutral white)	Tempered Glass	NEMA 6

All values typical unless otherwise stated (tolerance +/- 10%).

Part numbers listed in **bold** are typically available in stock.

Part numbers listed in the table above are neutral white. For cool white models, replace the 6th character with a **C**.

\*Amber models are not covered under the CE certification.

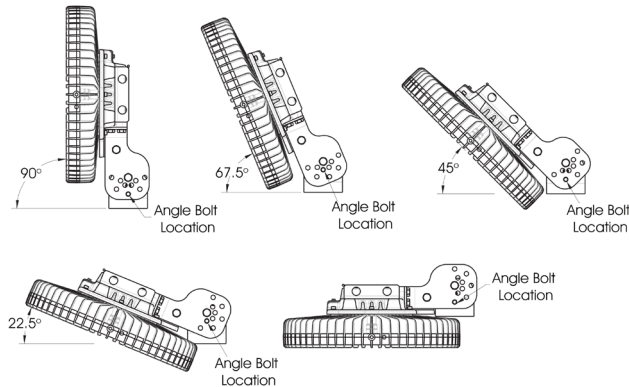
Historical part number provided for reference only. For performance characteristics of historical product, please contact your local representative.



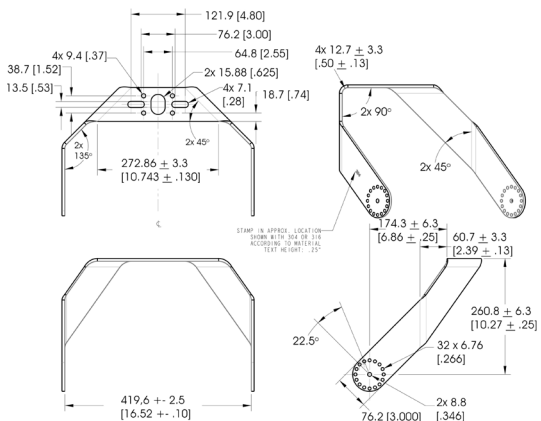
### HZXCBL2

- Stainless steel safety cable kit

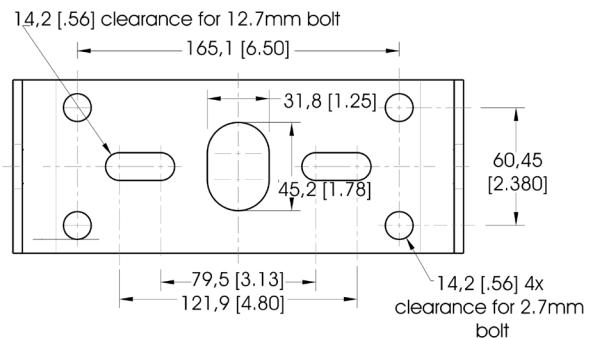
### Dual Floodlight Mounting Options



### Single Bracket Dimensions



### Dual Bracket Dimensions

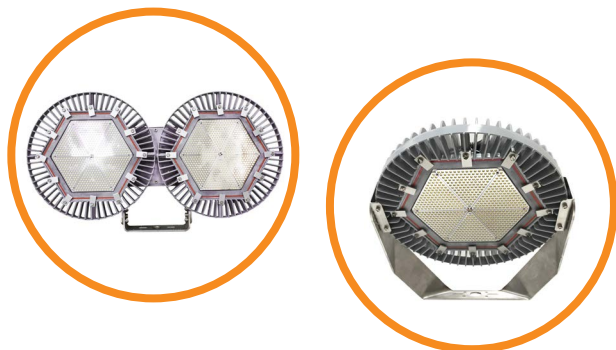


Dimension in mm [inches]

**DISCLAIMER.** All product information provided is, to the best of Dialight's knowledge, accurate as of the date of publication. When ordering, refer to [www.dialight.com](http://www.dialight.com) for current versions of: (a) relevant product documentation (including the relevant product data sheets); (b) Dialight terms and conditions of sale; and, (c) the relevant product warranty. To the extent that any contract is deemed formed between Dialight and the purchaser of Dialight products and/or an end-user, versions of documents available at [www.dialight.com](http://www.dialight.com) as at the date of sale shall be the versions incorporated therein. In the event of any discrepancy between this document or information provided at [www.dialight.com](http://www.dialight.com), the latter shall prevail.

# Vigilant® LED Single and Dual Floodlight - UL

## Technical Specifications



### Ratings and Certifications

- 10 year warranty
- L70 rated for >150,000 hours
- CSA C22.2 No. 250
- UL 1598/A
- IP66
- IK07

\*All features not available on every model. Please refer to product part number pages for model specifics.

### Mechanical Information

<b>Fixture weight:</b>	
Single:	13.6 kg (30 lb)
Dual:	25.4 kg (56 lb)
<b>Shipping weight:</b>	
Single:	15.9 kg (35 lb)
Dual:	27.2 kg (60 lb)
<b>Mounting:</b>	304 stainless steel forward throw or trunnion mounting bracket included Secondary retention available
<b>Cable Entries:</b>	(2) 3/4" NPT cable entries
<b>Terminals:</b>	0.5-4mm <sup>2</sup> via integrated junction box

### Specifications

<b>Voltage options:</b>	100-277 VAC/120-250 VDC	<b>Housing:</b>	Copper-free aluminum
<b>Operating temp:</b>	-40°C to +65°C	<b>Lens:</b>	Tempered glass
<b>Power factor:</b>	>0.9	<b>CRI:</b>	75
<b>THD:</b>	<20%	<b>CCT:</b>	5000K (cool white)
<b>Surge protection:</b>	Protection devices capable of handling up to 10kv. Tested for 6kv/2 ohm combination wave, as per IEEE C62.41, line-line and line-ground		4000K (neutral white)
			2700K (warm white)

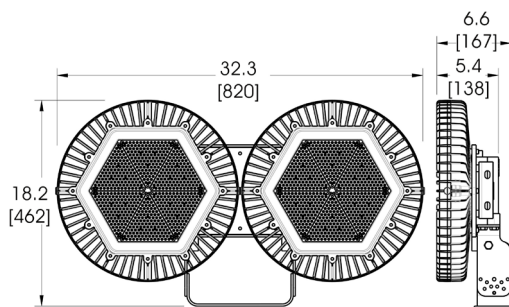
### Comparison

	Warranty	L70
Dialight LED Floodlight	10yr	>150,000
Metal Halide	1	6,000
High Pressure Sodium	1	20,000

Lumens	Wattage	lm/W	Mounting Heights
56,000	385	145	15m +
54,000	385	140	↓
28,000	190	145	

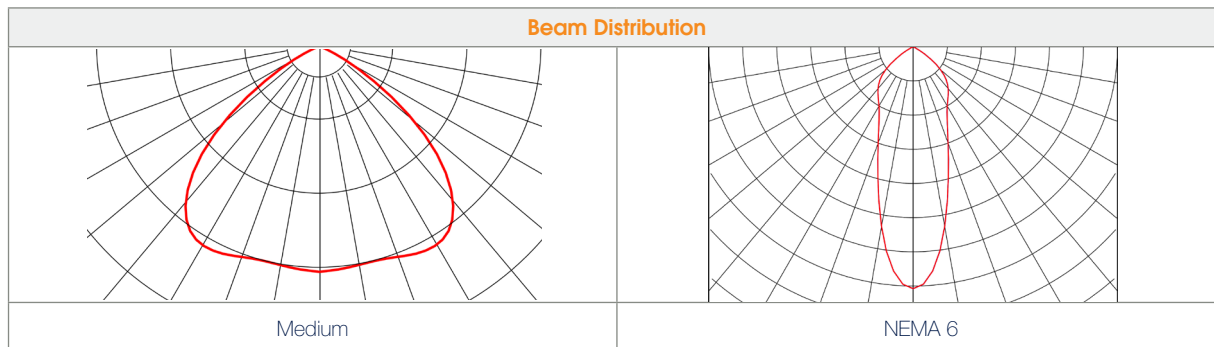
### Dimensions

#### 100-277 VAC models



Dimensions in inches [mm]

### Beam Distribution



**WARNING - INSTALLATION & SECONDARY RETENTION.** Use of any Dialight products without proper installation (including secondary retention / netting) and periodic inspections could cause severe injury or death. Dialight recommends that all installations should use secondary retention / netting (appropriate to the installation environment) where applicable. It is the exclusive responsibility of the contractor, installer and/or end-user to: (a) determine the suitability of the product for its intended application; and, (b) ensure that the product is safely installed (with secondary retention / netting where appropriate) and in compliance with all applicable laws and regulations. To the extent permissible under applicable laws, Dialight disclaims all liability for personal injury and/or other damage resulting from any dislodgment or other dislocation of its products.

# Vigilant® LED Single and Dual Floodlight - UL

## Asia Order Codes

Platform Part Number	Part Number	Fixture Lumens	Wattage	lm/W	Voltage	Colour Temperature (CCT)	Lens	Beam Distribution
<b>Single Floodlight Models</b>								
F5U76C2EDDNGN	<b>FLW666HC2NG</b>	28,000	190	147	100-277 VAC, 120-250 VDC	5000K (cool white)	Tempered Glass	NEMA 6
F5U76N2EDDNGN	<b>FLW666HN2NG</b>	26,750	190	140	100-277 VAC, 120-250 VDC	4000K (neutral white)	Tempered Glass	NEMA 6
<b>Dual Floodlight Models</b>								
F7U76C2MDSNNGN	<b>FLWBM0MC2NG</b>	54,000	385	140	100-277 VAC, 120-250 VDC	5000K (cool white)	Tempered Glass	Medium
F7U76N2MDSNNGN	<b>FLWBM0MN2NG</b>	51,500	385	134	100-277 VAC, 120-250 VDC	4000K (neutral white)	Tempered Glass	Medium
F7U76C2MDSNNGN	<b>FLWB66MC2NG</b>	56,000	385	145	100-277 VAC, 120-250 VDC	5000K (cool white)	Tempered Glass	NEMA 6
F7U76N2MDSNNGN	<b>FLWB66MN2NG</b>	53,500	385	139	100-277 VAC, 120-250 VDC	4000K (neutral white)	Tempered Glass	NEMA 6

All values typical unless otherwise stated (tolerance +/- 10%).

Part numbers listed in **bold** are typically available in stock.

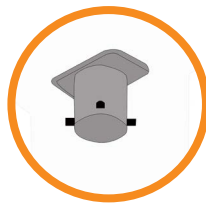
Part numbers listed in the table above are neutral white. For cool white models, replace the 6th character with a **C**.

Historical part number provided for reference only. For performance characteristics of historical product, please contact your local representative.



### **HZXCBL2**

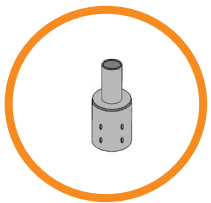
- Stainless steel safety cable kit



### **FLX-1TPT-20DB**

- Tenon pole topper, 2-3/8" mount

\*Bracket and adapters below require tenon adapter (FLX-1TPT-20DB) to mount floodlight. Tenon adapter is sold separately.

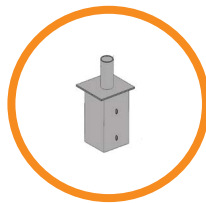


### **FLX-3RPA-20DB**

- Reducer for 3" OD round pole top to 2-3/8" light mount

### **FLX-4RPA-20DB**

- Reducer for 4" OD round pole top to 2-3/8" light mount



### **FLX-4SPA-20DB**

- Internal tenon adapter for 4" square pole top to 2-3/8" light mount

### **FLX-5SPA-20DB**

- Internal tenon adapter for 5" square pole top to 2-3/8" light mount

### **FLX-6SPA-20DB**

- Internal tenon adapter for 6" square pole top to 2-3/8" light mount

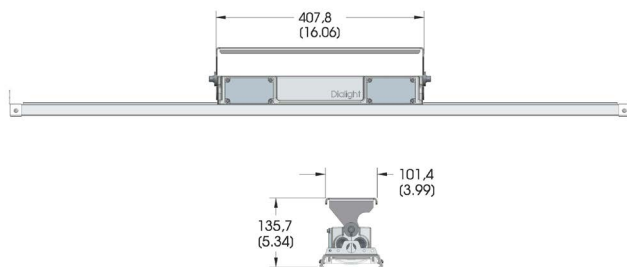
# Vigilant® LED Linear - CE

## Technical Specifications



### Certifications & Ratings

- CE
  - EN 60598-1
  - EN 60598-2-1
  - EN 62471
- ENEC
- RCM
- IP66/67 to EN 60529
- IK10 to EN 50102



Dimensions in mm [inches]

### Mechanical Information:

<b>Fixture weight:</b>	1.2m (4') - 5.9 kg (13 lb) 0.6m (2') - 4.5 kg (10 lb)
<b>Shipping weight:</b>	1.2m (4') - 10 kg (18 lb) 0.6m (2') - 6.8 kg (15 lb)
<b>Mounting:</b>	Factory-installed 316 stainless steel swivel bracket - LPXW4
<b>Cable entries:</b>	4 x M25 (2 either end)

### Variable Dimming:

<b>Variable dimming control:</b>	0-10 VDC
<b>Dimming range:</b>	10 VDC = 100% light output 0 VDC = 5% light output

### Electrical specifications:

<b>Operating voltage:</b>	100-277 VAC, 50/60Hz 120-250 VDC
<b>Total system power consumption:</b>	See table
<b>Operating temp:</b>	-40°C to +65°C (-40°F to +149°F)
<b>EMC:</b>	EN 55015, EN 61547, EN 61000-3-2 Class C, EN 61000-3-3
<b>Transient protection:</b>	EN 61000-4-5 6 kV line-to-line 6 kV line-to-ground
<b>THD:</b>	< 20%
<b>Power Factor:</b>	> 0.9

### Construction:

<b>Housing:</b>	Copper-free aluminum
<b>Finish:</b>	Superior dual coat finish - Sealed polyester topcoat - Chemical resistant epoxy primer
<b>Lens:</b>	Hard-coated polycarbonate

### Photometric Information:

<b>CRI:</b>	80 minimum
<b>CCT:</b>	4000K (neutral white)

All values typical unless otherwise stated (tolerance +/- 10%)

**WARNING - INSTALLATION & SECONDARY RETENTION.** Use of any Dialight products without proper installation (including secondary retention / netting) and periodic inspections could cause severe injury or death. Dialight recommends that all installations should use secondary retention / netting (appropriate to the installation environment) where applicable. It is the exclusive responsibility of the contractor, installer and/or end-user to: (a) determine the suitability of the product for its intended application; and, (b) ensure that the product is safely installed (with secondary retention / netting where appropriate) and in compliance with all applicable laws and regulations. To the extent permissible under applicable laws, Dialight disclaims all liability for personal injury and/or other damage resulting from any dislodgment or other dislocation of its products.

# Vigilant® LED Linear - CE

## Ordering Information & Mounting Accessories

Part Number	Length	Fixture Lumens	Wattage	lm/W	IP Rating	Voltage	Colour Temperature (CCT)	Lens	Beam Distribution
LJE5MN25DANNNGN	0.6m (2')	4,250	37	115	IP66/67	100-277 VAC / 120-250 VDC	4000K (neutral white)	Diffused	Medium
LKE5MN27DANNNGN	1.2m (4')	6,100	52	117	IP66/67	100-277 VAC / 120-250 VDC	4000K (neutral white)	Diffused	Medium
LKE5MN29DANNNGN	1.2m (4')	8,500	70	121	IP66/67	100-277 VAC / 120-250 VDC	4000K (neutral white)	Diffused	Medium

All values typical unless otherwise stated (tolerance +/- 10%).



### LTXSAFEKIT

- Safety cable kit for secondary retention

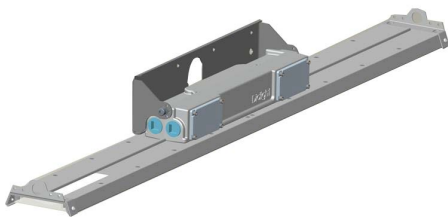


### LPXW4

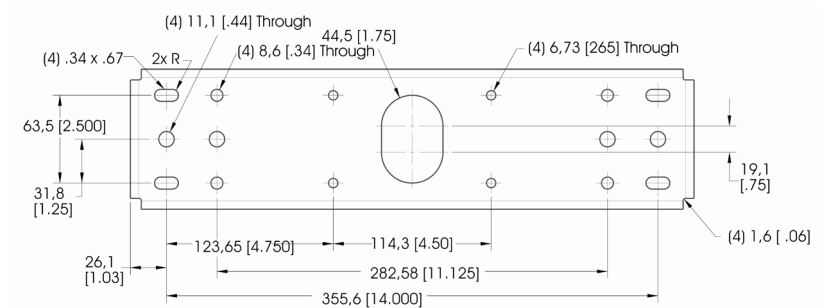
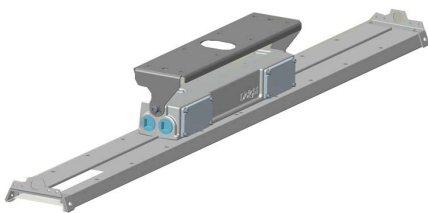
- 316 Stainless steel mounting bracket
- Can be angled at 0°, 30°, 45°, 60° & 90°

## Mounting Bracket - LPXW4

Side Mount

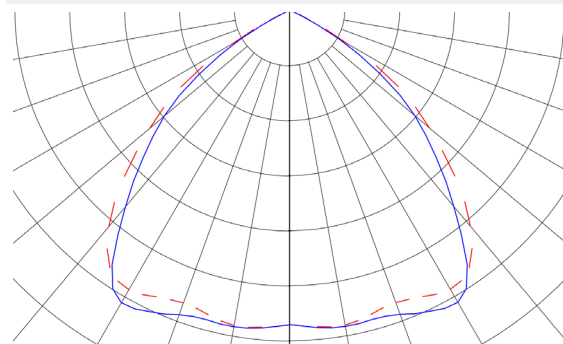


Top Mount



Dimensions in mm [inches]

Beam Distribution

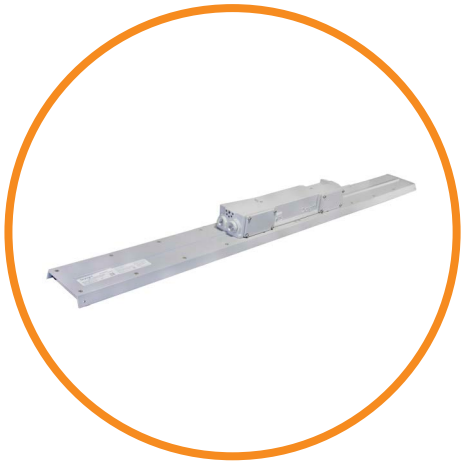


Medium

**DISCLAIMER.** All product information provided is, to the best of Dialight's knowledge, accurate as of the date of publication. When ordering, refer to [www.dialight.com](http://www.dialight.com) for current versions of: (a) relevant product documentation (including the relevant product data sheets); (b) Dialight terms and conditions of sale; and, (c) the relevant product warranty. To the extent that any contract is deemed formed between Dialight and the purchaser of Dialight products and/or an end-user, versions of documents available at [www.dialight.com](http://www.dialight.com) as at the date of sale shall be the versions incorporated therein. In the event of any discrepancy between this document or information provided at [www.dialight.com](http://www.dialight.com), the latter shall prevail.

# Vigilant® LED Linear - UL

## Technical Specifications

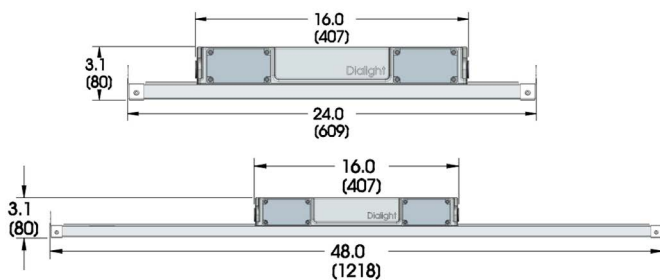


### Certifications & Ratings

- UL 1598/A<sup>1</sup>
- CSA C22.2 No. 250<sup>1</sup>
- IP66/67
- NEMA 4X
- 2000 PSI hose-down rating<sup>2</sup>
- DLC Premium & Standard

<sup>1</sup>ETL listed

<sup>2</sup>Internally tested



Dimensions in inches [mm]

### Mechanical Information:

<b>Fixture weight:</b>	4' - 11 lb (5.0 kg) 2' - 8 lb (3.6 kg)
<b>Shipping weight:</b>	4' - 12 lb (5.4 kg) 2' - 9 lb (4.1 kg)
<b>Mounting:</b>	(4) 3/4" NPT openings Optional swivel bracket - LPXW4 Optional low profile bracket - LPXW4LP

### Variable Dimming:

<b>Variable dimming control:</b>	0-10 VDC
<b>Dimming range:</b>	10 VDC = 100% light output 0 VDC = 5% light output

### Electrical Specifications:

<b>Operating voltage:</b>	100-277 VAC, 50/60Hz 120-250 VDC
<b>Power consumption:</b>	See ordering information
<b>Operating temp:</b>	-40°F to +149°F (-40°C to +65°C)
<b>EMC:</b>	FCC Title 47, Subpart B, Section 15, Class A device. RF Immunity; 10V/m, 80MHz-1GHz
<b>Surge protection:</b>	EN 61000-4-5 6 kV line-to-line 6 kV line-to-ground
<b>Harmonics:</b>	IEC 61000-3-2 Class C ATHD<20%
<b>Power factor:</b>	> 0.9

### Construction:

<b>Finish:</b>	Superior dual coat finish - Sealed polyester topcoat
----------------	---

<b>Lens:</b>	Polycarbonate
--------------	---------------

### Photometric Information:

<b>CRI:</b>	80
<b>CCT:</b>	4000K (neutral white)
<b>IES files:</b>	Available at <a href="http://www.dialight.com">www.dialight.com</a>

All values typical unless otherwise stated (tolerance +/- 10%)

**WARNING - INSTALLATION & SECONDARY RETENTION.** Use of any Dialight products without proper installation (including secondary retention / netting) and periodic inspections could cause severe injury or death. Dialight recommends that all installations should use secondary retention / netting (appropriate to the installation environment) where applicable. It is the exclusive responsibility of the contractor, installer and/or end-user to: (a) determine the suitability of the product for its intended application; and, (b) ensure that the product is safely installed (with secondary retention / netting where appropriate) and in compliance with all applicable laws and regulations. To the extent permissible under applicable laws, Dialight disclaims all liability for personal injury and/or other damage resulting from any dislodgment or other dislocation of its products.



# Vigilant® LED Linear - UL

## Ordering Information & Mounting Accessories

Part Number	Length	Fixture Lumens	Wattage	lm/W	IP Rating	Voltage	Colour Temperature (CCT)	Lens	Beam Distribution
LJU5MC25DANNGN	0.6m (2')	4,450	37	120	IP66/67	100-277 VAC / 120-250 VDC	5000K (cool white)	Diffused	Medium
LKU5MC27DANNGN	1.2m (4')	6,550	52	126	IP66/67	100-277 VAC / 120-250 VDC	5000K (cool white)	Diffused	Medium
LKU5MC29DANNGN	1.2m (4')	8,800	70	125	IP66/67	100-277 VAC / 120-250 VDC	5000K (cool white)	Diffused	Medium

All values typical unless otherwise stated (tolerance +/- 10%)  
 For additional ordering options, please consult factory.



### LTXSAFEKIT

- Safety cable kit for secondary retention

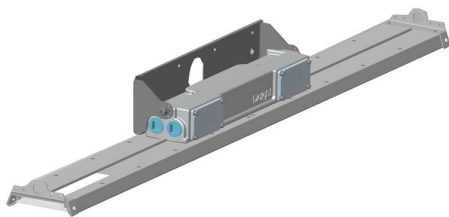


### LPXW4

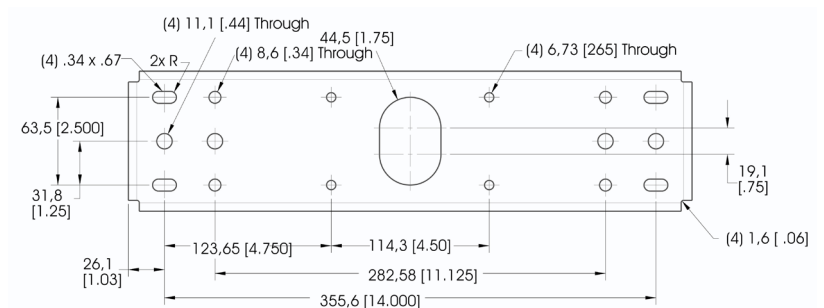
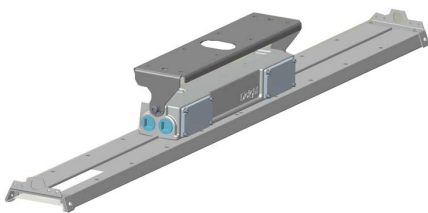
- 316 Stainless steel mounting bracket
- Can be angled at 0°, 30°, 45°, 60° & 90°

## Mounting Bracket - LPXW4

Side Mount

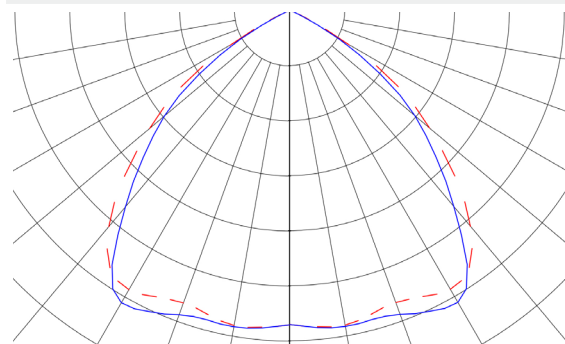


Top Mount



Dimensions in mm [inches]

Beam Distribution



Medium

**DISCLAIMER.** All product information provided is, to the best of Dialight's knowledge, accurate as of the date of publication. When ordering, refer to [www.dialight.com](http://www.dialight.com) for current versions of: (a) relevant product documentation (including the relevant product data sheets); (b) Dialight terms and conditions of sale; and, (c) the relevant product warranty. To the extent that any contract is deemed formed between Dialight and the purchaser of Dialight products and/or an end-user, versions of documents available at [www.dialight.com](http://www.dialight.com) as at the date of sale shall be the versions incorporated therein. In the event of any discrepancy between this document or information provided at [www.dialight.com](http://www.dialight.com), the latter shall prevail.

# Vigilant® LED Area Light - CE

## Technical Specifications



### Ratings and Certifications

- 10 year warranty
- L70 >300,000 hours @ 65°C ambient
- RCM / CE / ENEC
- IP66 / 67
- IK07 (glass lens) / IK10 (polycarbonate lens)
- 0-10 V dimming as standard

\*All features not available on every model. Please refer to product part number pages for model specifics.

### Mechanical Information

<b>Fixture weight:</b>	
Glass:	5.4 kg (12 lb)
Polycarbonate:	4.5 kg (10 lb)
<b>Shipping weight:</b>	
Glass:	6.3 kg (14 lb)
Polycarbonate:	5.4 kg (12 lb)
<b>Mounting:</b>	Stainless steel, wall and pole mounting bracket options
	Secondary retention standard
<b>Cable Entries:</b>	Wall: (4) M25
<b>Terminals:</b>	Stanchion, Wall: 0,5-4mm <sup>2</sup> x 5

### Specifications

<b>Voltage options:</b>	100-277 VAC 50/60Hz, 120-250 VDC	<b>Housing:</b>	Copper-free aluminium
<b>Operating temp:</b>	-40°C to +65°C	<b>Lens:</b>	Hard-coated polycarbonate Tempered glass
<b>Power factor:</b>	>0.9	<b>Finish:</b>	Superior dual coat finish - Sealed polyester topcoat
<b>THD:</b>	<20%	<b>CRI:</b>	80
<b>Surge protection:</b>	6kV / 3kA combination wave, as per IEEE C62.41, line-line and line-ground	<b>CCT:</b>	5000K (cool white)
			4000K (neutral white)
			2700K (neutral white)
			Amber

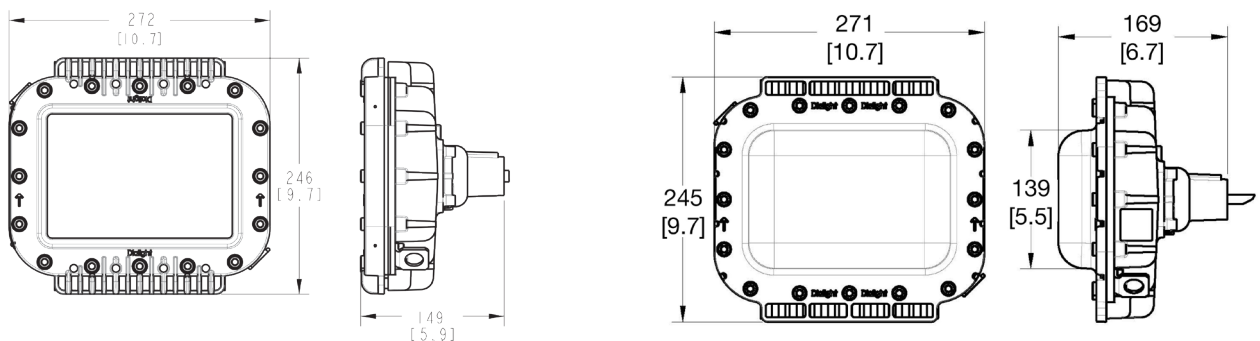
### Comparison

	Warranty	L70
Dialight LED Area Light	10yr	>300,000
Metal Halide	1	15,000
High Pressure Sodium	1	20,000

### Lumens Wattage lm/W Mounting Heights

Lumens	Wattage	lm/W	Mounting Heights
9,000	66	136	10m
5,700	40	143	↕
4,200	30	140	3m

### Dimensions



Dimension in mm [inches]

**WARNING - INSTALLATION & SECONDARY RETENTION.** Use of any Dialight products without proper installation (including secondary retention / netting) and periodic inspections could cause severe injury or death. Dialight recommends that all installations should use secondary retention / netting (appropriate to the installation environment) where applicable. It is the exclusive responsibility of the contractor, installer and/or end-user to: (a) determine the suitability of the product for its intended application; and, (b) ensure that the product is safely installed (with secondary retention / netting where appropriate) and in compliance with all applicable laws and regulations. To the extent permissible under applicable laws, Dialight disclaims all liability for personal injury and/or other damage resulting from any dislodgment or other dislocation of its products.

# Vigilant® LED Area Light - CE

## Australia Order Codes

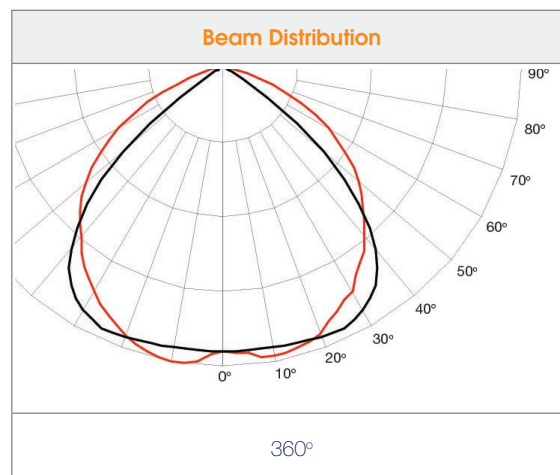
Current Part Number	Historic Part Number	Fixture Lumens	Wattage	lm/W	Voltage	Colour Temperature (CCT)	Lens	Beam Distribution	Mounting Options
<b>CE - 4000K Models</b>									
<b>ALE5BN27DBWMGN</b>	STW9C2NEU	6,500	52	125	100-277 VAC, 120-250 VDC	4000K (neutral white)	Polycarbonate	360°	316 stainless steel adjustable bracket
<b>ALE5BN27DWNUGN</b>	STW9C2NW45EU	6,500	52	125	100-277 VAC, 120-250 VDC	4000K (neutral white)	Polycarbonate	360°	45° wall mount
<b>ALE5BN27DSNUGN</b>	STW9C2NS45EU	6,500	52	125	100-277 VAC, 120-250 VDC	4000K (neutral white)	Polycarbonate	360°	45° stanchion mount
<b>ALE5BN29DBWMGN</b>		8,100	66	123	100-277 VAC, 120-250 VDC	4000K (neutral white)	Polycarbonate	360°	316 stainless steel adjustable bracket
<b>ALE7BN29DBWMGN</b>		8,800	66	123	100-277 VAC, 120-250 VDC	4000K (neutral white)	Glass	360°	316 stainless steel adjustable bracket
<b>CE - 2700K Models</b>									
<b>ALE5BW27DWNUGN</b>	STW9C2NEU	6,100	52	117	100-277 VAC, 120-250 VDC	2700K (neutral white)	Polycarbonate	360°	316 stainless steel adjustable bracket
<b>ALE5BW27DWNUGN</b>	STW9C2NW45EU	6,100	52	117	100-277 VAC, 120-250 VDC	2700K (neutral white)	Polycarbonate	360°	45° wall mount
<b>ALE5BW27DSNUGN</b>	STW9C2NS45EU	6,100	52	117	100-277 VAC, 120-250 VDC	2700K (neutral white)	Polycarbonate	360°	45° stanchion mount
<b>CE - Amber Models</b>									
<b>ALEABN29DBWMGN</b>		4,050	66	61	100-277 VAC, 120-250 VDC	Amber	Polycarbonate	360°	316 stainless steel adjustable bracket
<b>ALEABN27DBWMGN</b>		3,250	52	63	100-277 VAC, 120-250 VDC	Amber	Polycarbonate	360°	316 stainless steel adjustable bracket
<b>ALEABN27DSNUGN</b>		3,250	52	63	100-277 VAC, 120-250 VDC	Amber	Polycarbonate	360°	45° stanchion mount
<b>ALEABN27DWNUGN</b>		3,250	52	63	100-277 VAC, 120-250 VDC	Amber	Polycarbonate	360°	45° wall mount
<b>ALEABN27DWNUGN</b>		3,250	52	63	100-277 VAC, 120-250 VDC	Amber	Polycarbonate	360°	45° wall mount

All values typical unless otherwise stated (tolerance +/- 10%).

Part numbers listed in **bold** are typically available in stock.

Please see made to order options page 39 for more models available.

Historical part number provided for reference only. For performance characteristics of historical product, please contact your local representative.



**DISCLAIMER.** All product information provided is, to the best of Dialight's knowledge, accurate as of the date of publication. When ordering, refer to [www.dialight.com](http://www.dialight.com) for current versions of: (a) relevant product documentation (including the relevant product data sheets); (b) Dialight terms and conditions of sale; and, (c) the relevant product warranty. To the extent that any contract is deemed formed between Dialight and the purchaser of Dialight products and/or an end-user, versions of documents available at [www.dialight.com](http://www.dialight.com) as at the date of sale shall be the versions incorporated therein. In the event of any discrepancy between this document or information provided at [www.dialight.com](http://www.dialight.com), the latter shall prevail.

# Vigilant® LED Area Light - UL

## Technical Specifications



### Ratings and Certifications

- 10 year warranty
- L70 >300,000 hours @ 65°C ambient
- UL
- IP66 / 67 / 69
- IK07 (glass lens) / IK10 (polycarbonate lens)
- 0-10 V dimming as standard

\*All features not available on every model. Please refer to product part number pages for model specifics.

### Mechanical Information

<b>Fixture weight:</b>	
Glass:	5.4 kg (12 lb)
Polycarbonate:	4.5 kg (10 lb)
<b>Shipping weight:</b>	
Glass:	6.3 kg (14 lb)
Polycarbonate:	5.4 kg (12 lb)
<b>Mounting:</b>	Stainless steel, wall and pole mounting bracket options
	Secondary retention standard

### Specifications

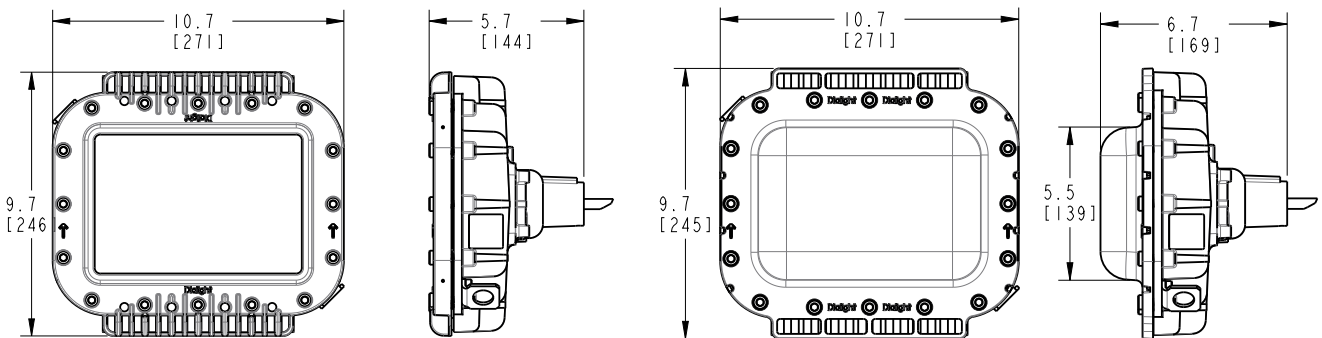
<b>Voltage options:</b>	100-277 VAC 50/60Hz, 120-250 VDC	<b>Housing:</b>	Copper-free aluminium
<b>Operating temp:</b>	-40°C to +65°C	<b>Lens:</b>	Hard-coated polycarbonate Tempered glass
<b>Power factor:</b>	>0.9	<b>Finish:</b>	Superior dual coat finish - Sealed polyester topcoat
<b>THD:</b>	<20%	<b>CRI:</b>	80
<b>Surge protection:</b>	6kV, 2 Ohm line-line and line-ground	<b>CCT:</b>	5000K (cool white)
			4000K (neutral white)
			2700K (warm white)

### Comparison

	Warranty	L70
Dialight LED Area Light	10yr	>300,000
Metal Halide	1	15,000
High Pressure Sodium	1	20,000

Lumens	Wattage	lm/W	Mounting Heights
9,000	66	136	10m
5,700	40	143	↕ 3m
4,200	30	140	

### Dimensions



Dimension in inches [mm]

**WARNING - INSTALLATION & SECONDARY RETENTION.** Use of any Dialight products without proper installation (including secondary retention / netting) and periodic inspections could cause severe injury or death. Dialight recommends that all installations should use secondary retention / netting (appropriate to the installation environment) where applicable. It is the exclusive responsibility of the contractor, installer and/or end-user to: (a) determine the suitability of the product for its intended application; and, (b) ensure that the product is safely installed (with secondary retention / netting where appropriate) and in compliance with all applicable laws and regulations. To the extent permissible under applicable laws, Dialight disclaims all liability for personal injury and/or other damage resulting from any dislodgment or other dislocation of its products.

# Vigilant® LED Area Light - UL

## Asia Order Codes

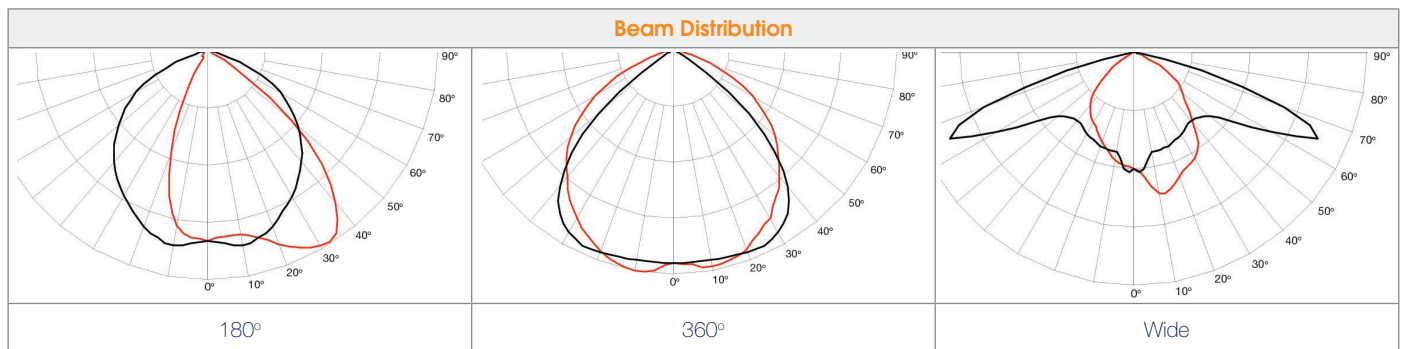
Current Part Number	Historic Part Number	Fixture Lumens	Wattage	lm/W	Voltage	Colour Temperature (CCT)	Lens	Beam Distribution	Mounting Options
<b>UL - 4000K Models</b>									
<b>ALU5BN23DBWNGN</b>	STW3C2N	2,700	24	112.5	100-277 VAC, 120-250 VDC	4000K (neutral white)	Polycarbonate	360°	Stainless steel adjustable bracket
<b>ALU5BN27DBWNGN</b>	STW9C2N	6,500	52	125	100-277 VAC, 120-250 VDC	4000K (neutral white)	Polycarbonate	360°	Stainless steel adjustable bracket
<b>ALU7BN29DBWNGN</b>	STW3C2N	8,800	66	133	100-277 VAC, 120-250 VDC	4000K (neutral white)	Glass	360°	Stainless steel adjustable bracket
ALU5AN27DVNNGN	STW4C2NW01	6,400	52	123	100-277 VAC, 120-250 VDC	4000K (neutral white)	Polycarbonate	180°	Wall mount
ALU5BN27DVNNGN	STW5C2NW01	6,500	52	125	100-277 VAC, 120-250 VDC	4000K (neutral white)	Polycarbonate	360°	Wall mount
<b>ALU5WN27DVNNGN</b>	STW5C2NW01	6,500	52	125	100-277 VAC, 120-250 VDC	4000K (neutral white)	Polycarbonate	Wide	Wall mount
<b>ALU5BN27DWNUGN</b>	STW9C2NW45	6,500	52	125	100-277 VAC, 120-250 VDC	4000K (neutral white)	Polycarbonate	360°	Wall mount 45°
ALU5BN29DWNUGN		8,100	66	123	100-277 VAC, 120-250 VDC	4000K (neutral white)	Polycarbonate	360°	Wall mount 45°
<b>ALU5BN27DSNUGN</b>		8,100	66	123	100-277 VAC, 120-250 VDC	4000K (neutral white)	Polycarbonate	360°	Stanchion mount 45°
<b>UL - 2700K Models</b>									
ALU5BW23DBWNGN	STW3C2N	2,500	24	104	100-277 VAC, 120-250 VDC	2700K (neutral white)	Polycarbonate	360°	Stainless steel adjustable bracket
ALU5BW27DBWNGN	STW9C2N	6,100	52	117	100-277 VAC, 120-250 VDC	2700K (neutral white)	Polycarbonate	360°	Stainless steel adjustable bracket
ALU5BW27DWNUGN	STW9C2NW45	6,100	52	117	100-277 VAC, 120-250 VDC	2700K (neutral white)	Polycarbonate	360°	Wall mount 45°
ALU5BW27DSNUGN	STW9C2NS45	6,100	52	117	100-277 VAC, 120-250 VDC	2700K (neutral white)	Polycarbonate	360°	Stanchion mount 45°

All values typical unless otherwise stated (tolerance +/- 10%).

Part numbers listed in **bold** are typically available in stock.

Please see made to order options page 39 for more models available.

Historical part number provided for reference only. For performance characteristics of historical product, please contact your local representative.



**DISCLAIMER.** All product information provided is, to the best of Dialight's knowledge, accurate as of the date of publication. When ordering, refer to [www.dialight.com](http://www.dialight.com) for current versions of: (a) relevant product documentation (including the relevant product data sheets); (b) Dialight terms and conditions of sale; and, (c) the relevant product warranty. To the extent that any contract is deemed formed between Dialight and the purchaser of Dialight products and/or an end-user, versions of documents available at [www.dialight.com](http://www.dialight.com) as at the date of sale shall be the versions incorporated therein. In the event of any discrepancy between this document or information provided at [www.dialight.com](http://www.dialight.com), the latter shall prevail.

# Vigilant® LED Area Light - CE/UL

## Accessories



### ALxxxx2xDNNxGN

- Adjustable mounting bracket



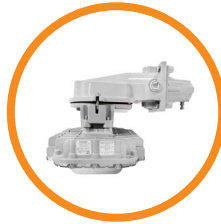
### ALxxxx2xDVNxGN

- 0° wall mount



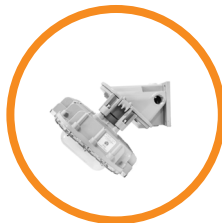
### ALxxxx2xDSNxGN

- 45° stanchion mount



### ALxxxx2xDYNxGN

- 35mm slip-fit pole mount



### ALxxxx2xDWNxGN

- 45° wall mount



Certified to: UL 50E • CSA C22.2 No. 94.2-07

### HZXSTAN100S

- 1.00" (1.315" Pole OD) slip-fit stanchion mount

### HZXSTAN125S

- 1.25" (1.660" Pole OD) slip-fit stanchion mount

### HZXSTAN052S

- 52mm slip-fit stanchion mount

### HZXSTAN200S

- 2.00" (2.375" Pole OD) slip-fit stanchion mount

### HZXSTAN100T

- 1.00" (1.315" Pole OD) NPT-threaded stanchion mount

### HZXSTAN125T

- 1.25" (1.660" Pole OD) NPT-threaded stanchion mount

### HZXSTAN150T

- 1.50" (1.900" Pole OD) NPT-threaded stanchion mount

### HZXSTAN200T

- 2.00" (2.375" Pole OD) NPT-threaded stanchion mount



### HZXW3

- 316 stainless steel bracket

### HZXW7

- Aluminum bracket



- 52mm slip-fit stanchion mount

### HZXSTAN200S

- 2.00" (2.375" Pole OD) slip-fit stanchion mount

### HZXSTAN100T

- 1.00" (1.315" Pole OD) NPT-threaded stanchion mount

### HZXSTAN125T

- 1.25" (1.660" Pole OD) NPT-threaded stanchion mount

### HZXSTAN150T

- 1.50" (1.900" Pole OD) NPT-threaded stanchion mount

### HZXSTAN200T

- 2.00" (2.375" Pole OD) NPT-threaded stanchion mount



### HZXSAFECBLS

- Safety cable kit



### HZXW4

- 316 stainless steel bracket with 1.5" pipe clamp

### HZXW8

- Aluminum bracket with 1.5" pipe clamp

**DISCLAIMER.** All product information provided is, to the best of Dialight's knowledge, accurate as of the date of publication. When ordering, refer to [www.dialight.com](http://www.dialight.com) for current versions of: (a) relevant product documentation (including the relevant product data sheets); (b) Dialight terms and conditions of sale; and, (c) the relevant product warranty. To the extent that any contract is deemed formed between Dialight and the purchaser of Dialight products and/or an end-user, versions of documents available at [www.dialight.com](http://www.dialight.com) as at the date of sale shall be the versions incorporated therein. In the event of any discrepancy between this document or information provided at [www.dialight.com](http://www.dialight.com), the latter shall prevail.

# Vigilant® LED Area Light - CE/UL

## Ordering Options

### Product Type

Area Light

### Certification

UL 1598/A, CSA 22.2 No. 250

CE / RCM

### Lens Material

Polycarbonate - Diffused

Glass - Clear

### Beam Distribution

180°

360°

Wide

### CCT & CRI

Cool White 5000K - 80 CRI

Neutral White 4000K - 80 CRI

Warm White 2700K - 80 CRI

Amber

### Operating Voltage

100-277 VAC, 120-250 VDC

### Lumen Type

3,001 - 4,000 Lumens

4,001 - 5,000 Lumens

5,001 - 6,000 Lumens

6,001 - 7,000 Lumens

8,001 - 9,000 Lumens

### Controls

Dimming (0-10 VDC)

### Mounting Options

 Retro-fit Adapter

 Universal Mounting Adapter (UMA)

 Appleton Mercmaster III

Swivel Bracket, Locking 0°- 90°  
316 Stainless Steel

 Crouse-Hinds - Champ

 GE Filtr-Gard

 Thomas & Betts Hazlux

 Killark Certilite & Certilite V

 Appleton Mercmaster II

 3/4" NPT

 45° Stanchion Mount

 UMA - Mounting Hub

 0° Wall Mount

 45° Wall Mount

 34mm Conveyor Mount

\*Retro-fit adapters are for use with UL certified products.

### Hardware Accessories

Junction Box with 4mm  
Push Type Terminals

10 ft (3 meter) Power Cable for  
Mounting Options

### Coatings

Gray (RAL 7040)

# Vigilant® LED Conveyor Light - CE/UL

## Technical Specifications



### Ratings and Certifications

- 10 year warranty
- L70 >300,000 hours @ 65°C ambient
- RCM / CE / ENEC
- IP66 / 67
- IK07 (glass lens) / IK10 (polycarbonate lens)

\*All features not available on every model. Please refer to product part number pages for model specifics.

### Mechanical Information

<b>Fixture weight:</b>	Polycarb - 6.8 kg (15 lb)
	Glass - 8.2kg (18 lb)
<b>Shipping weight:</b>	Polycarb - 7.7 kg (17 lb)
	Glass - 9.1 kg (20 lb)
<b>Mounting:</b>	34mm slip-fit stanchion mount
	Secondary retention standard
<b>Cable Entries:</b>	M25 x 4
<b>Terminals:</b>	0.50 - 4.0mm <sup>2</sup> x 5

### Specifications

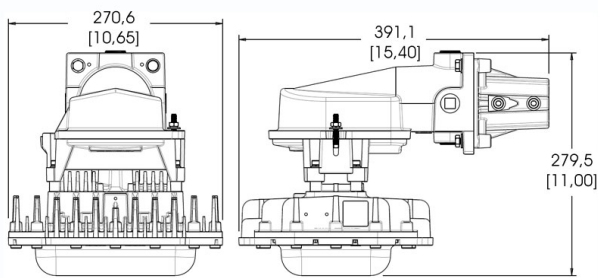
<b>Voltage options:</b>	100-277 VAC 50/60Hz, 120-250 VDC	<b>Housing:</b>	Copper-free aluminium
		<b>Lens:</b>	Hard-coated polycarbonate Tempered glass
<b>Operating temp:</b>	-40°C to +65°C	<b>Finish:</b>	Superior dual coat finish - Sealed polyester topcoat - Chemical-resistant epoxy primer
<b>Power factor:</b>	>0.9	<b>CRI:</b>	80
<b>THD:</b>	<20%	<b>CCT:</b>	5000K (cool white)
<b>Surge protection:</b>	6kV / 3kA combination wave, as per IEEE C62.41, line-line and line-ground		4000K (neutral white)
			2700K (warm white)
		Amber	

### Comparison

	Warranty	L70
Dialight LED Conveyor Light	10yr	>300,000
High Pressure Sodium	1	24,000
Metal Halide	1	15,000

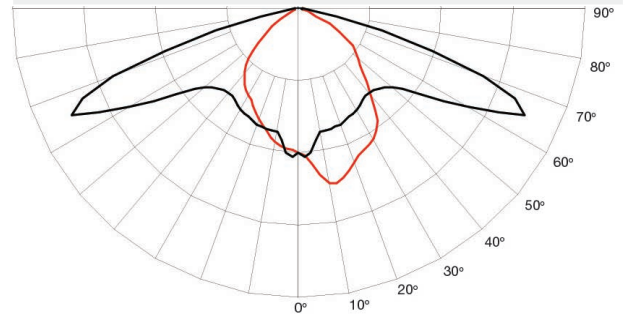
Lumens	Wattage	lm/W	Mounting Heights
6,700	64	105	Up to 6m

### Dimensions



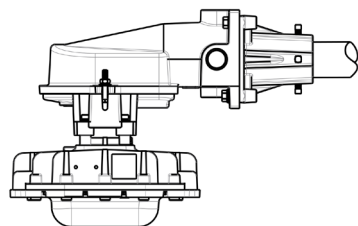
Dimension in mm [inches]

### Beam Distribution



Wide

### Mounting Options



34mm Slip-Fit Stanchion Mount Junction Box

**WARNING - INSTALLATION & SECONDARY RETENTION.** Use of any Dialight products without proper installation (including secondary retention / netting) and periodic inspections could cause severe injury or death. Dialight recommends that all installations should use secondary retention / netting (appropriate to the installation environment) where applicable. It is the exclusive responsibility of the contractor, installer and/or end-user to: (a) determine the suitability of the product for its intended application; and, (b) ensure that the product is safely installed (with secondary retention / netting where appropriate) and in compliance with all applicable laws and regulations. To the extent permissible under applicable laws, Dialight disclaims all liability for personal injury and/or other damage resulting from any dislodgment or other dislocation of its products.



# Vigilant® LED Conveyor Light - CE/UL

## Australia & Asia Order Codes

Current Part Number	Historic Part Number	Fixture Lumens	Wattage	lm/W	Voltage	Colour Temperature (CCT)	Lens	Beam Distribution
<b>Australia Models</b>								
ALE5WN27DYNVGN	STWYC2N-CV34	6,500	64	103	100-277 VAC, 120-250 VDC	4000K (neutral white)	Polycarbonate	Wide
ALE5WW27DYNVGN	STWYC2N-CV34	6,000	64	95	100-277 VAC, 120-250 VDC	2700K (warm white)	Polycarbonate	Wide
ALEAWN27DYNVGN		3,250	64	51	100-277 VAC, 120-250 VDC	Amber	Polycarbonate	Wide

Current Part Number	Historic Part Number	Fixture Lumens	Wattage	lm/W	Voltage	Colour Temperature (CCT)	Lens	Beam Distribution
<b>Asia Models</b>								
ALU5WN27DYNVGN	STWYC2N-CV34	6,500	64	103	100-277 VAC, 120-250 VDC	4000K (neutral white)	Polycarbonate	Wide
ALU5WW27DYNVGN	STWYC2N-CV34	6,000	64	95	100-277 VAC, 120-250 VDC	2700K (warm white)	Polycarbonate	Wide

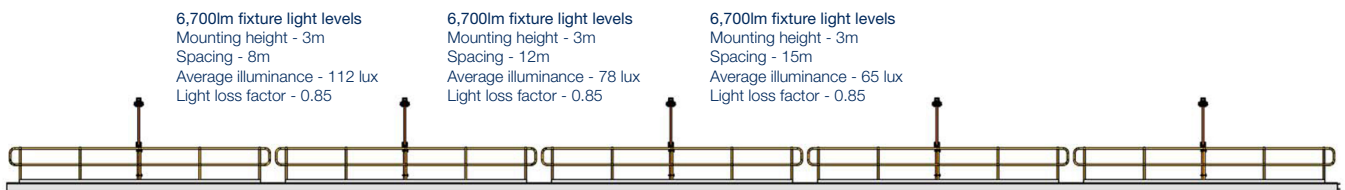
All values typical unless otherwise stated (tolerance +/- 10%).

Part numbers listed in **bold** are typically available in stock.

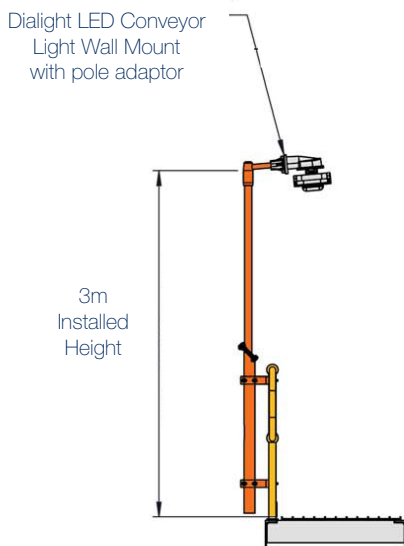
Part numbers listed in the table above are neutral white. For cool white models, replace the 6th character with a **C**.

Historical part number provided for reference only. For performance characteristics of historical product, please contact your local representative.

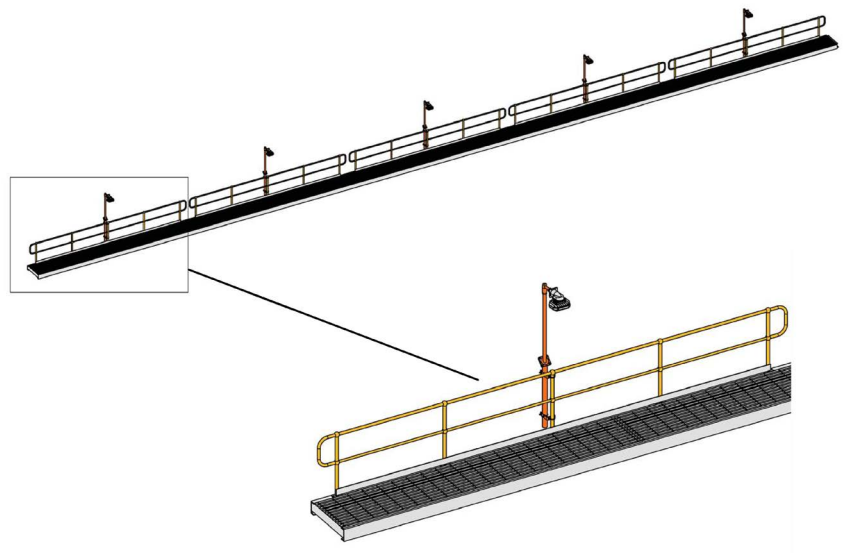
### Spacing Table



### Mounting Options



### Conveyor Light Spacing



**DISCLAIMER.** All product information provided is, to the best of Dialight's knowledge, accurate as of the date of publication. When ordering, refer to [www.dialight.com](http://www.dialight.com) for current versions of: (a) relevant product documentation (including the relevant product data sheets); (b) Dialight terms and conditions of sale; and, (c) the relevant product warranty. To the extent that any contract is deemed formed between Dialight and the purchaser of Dialight products and/or an end-user, versions of documents available at [www.dialight.com](http://www.dialight.com) as at the date of sale shall be the versions incorporated therein. In the event of any discrepancy between this document or information provided at [www.dialight.com](http://www.dialight.com), the latter shall prevail.

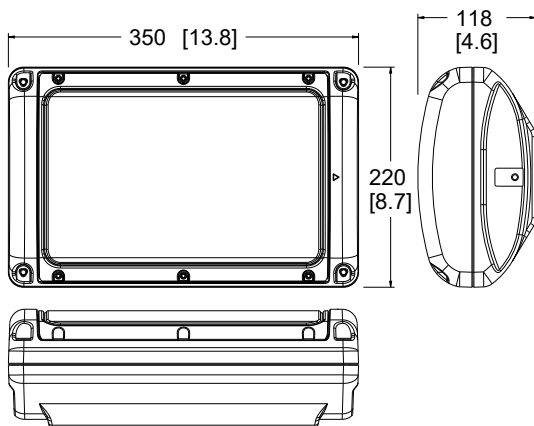
# Vigilant® LED Bulkhead - CE/RCM

## Technical Specifications



### Certifications & Ratings

- 10 year warranty
- CE / RCM
- IP66/67
- IK10
- L70 > 150,00 hours @ 65°C (149°F) ambient



Dimensions in mm (inches)

### Mechanical Information:

#### Fixture weights:

Standard models: 6.3 kg (13.8 lb)

Battery backup models: 7.7 kg (17 lb)

#### Shipping weights:

Standard models: 7 kg (15.4 lb)

Battery backup models: 8.4 kg (18.5 lb)

#### Cable entry:

(2) M20 - optional (4) M20

### Materials:

**Housing:** A360 Die-cast aluminium

#### Finish:

Superior dual coat finish  
- Sealed polyester topcoat  
- Epoxy primer

#### Lens:

Polycarbonate clear  
Polycarbonate diffused (optional)

#### Hardware:

316 Stainless Steel

### Electrical Specifications:

#### Operating voltage:

Standard models: 100-277 VAC / 120-250 VDC

Battery backup models: 230/240 VAC

#### Operating temperature:

Standard models: -40°C to +65°C (-40°F to +149°F)

Battery backup models: -20°C to +55°C (-4°F to +131°F)

#### Surge protection:

Tested to IEC 61000-4-5  
6kV/3kA, 1.2/50, 8/20us  
Combination Wave  
Line-line and line-ground

#### THD:

< 18%

#### Power factor:

> 0.9

#### Dimming:

DALI 1.0 and 2.0  
0-10 VDC continuous dimming to <10%

### Battery Backup Models: (integral battery)

#### Battery duration\* (circular optic, clear lens):

6.5k lumen outputs: 180 mins ~ 900 lm

90 mins ~ 1100 lm

60 mins ~ 1140 lm

3k lumen outputs:

180 mins ~ 800 lm

90 mins ~ 1100 lm

60 mins ~ 1140 lm

#### Expected battery life:

4 years

### Photometric Information:

**Lumen output\*:** 3,000 & 6,500 lm (white light)

**CRI:** > 80 (white light)

**CCT:** 5000K (cool white)  
4000K (neutral white)

All values typical unless otherwise stated (tolerance +/- 10%)

\* @ 25°C ambient

**WARNING - INSTALLATION & SECONDARY RETENTION.** Use of any Dialight products without proper installation (including secondary retention / netting) and periodic inspections could cause severe injury or death. Dialight recommends that all installations should use secondary retention / netting (appropriate to the installation environment) where applicable. It is the exclusive responsibility of the contractor, installer and/or end-user to: (a) determine the suitability of the product for its intended application; and, (b) ensure that the product is safely installed (with secondary retention / netting where appropriate) and in compliance with all applicable laws and regulations. To the extent permissible under applicable laws, Dialight disclaims all liability for personal injury and/or other damage resulting from any dislodgment or other dislocation of its products.

# Vigilant® LED Bulkhead - CE/RCM

## Australia & Asia Order Codes

### Australia

Part Number	Fixture Lumens	Wattage	lm/W	Voltage	CCT	Lens	Beam Distribution
<b>Standard Models with Flush Bracket</b>							
<b>BHE-4BN2-3NFN-VGN</b>	3,200	22	149	100-277 VAC / 120-250 VDC	4000K (neutral white)	Clear Polycarbonate	Circular
<b>BHE-4BN2-6NFN-VGN</b>	6,700	45	149	100-277 VAC / 120-250 VDC	4000K (neutral white)	Clear Polycarbonate	Circular
BHE-4UN2-3NFN-VGN	3,100	22	144	100-277 VAC / 120-250 VDC	4000K (neutral white)	Clear Polycarbonate	Ultra-Wide (Type 1)
BHE-4UN2-6NFN-VGN	6,400	45	142	100-277 VAC / 120-250 VDC	4000K (neutral white)	Clear Polycarbonate	Ultra-Wide (Type 1)
<b>Battery Backup Models with Flush Bracket</b>							
<b>BHE-4BNG-3NFN-VGF</b>	3,200	25	128	230/240 VAC	4000K (neutral white)	Clear Polycarbonate	Circular
<b>BHE-4BNG-6NFN-VGF</b>	6,700	48	140	230/240 VAC	4000K (neutral white)	Clear Polycarbonate	Circular
BHE-4UNG-3NFN-VGF	3,100	25	124	230/240 VAC	4000K (neutral white)	Clear Polycarbonate	Ultra-Wide (Type 1)
BHE-4UNG-6NFN-VGF	6,400	48	133	230/240 VAC	4000K (neutral white)	Clear Polycarbonate	Ultra-Wide (Type 1)

All values typical unless otherwise stated (tolerance +/- 10%).

Part numbers listed in **bold** are typically available in stock.

### Asia

Part Number	Fixture Lumens	Wattage	lm/W	Voltage	CCT	Lens	Beam Distribution
<b>Standard Models with Flush Bracket</b>							
BHE-4BC2-3NFN-VGN	3,200	22	149	100-277 VAC / 120-250 VDC	5000K (cool white)	Clear Polycarbonate	Circular
BHE-4BC2-6NFN-VGN	6,700	45	149	100-277 VAC / 120-250 VDC	5000K (cool white)	Clear Polycarbonate	Circular
BHE-4UC2-3NFN-VGN	3,100	22	144	100-277 VAC / 120-250 VDC	5000K (cool white)	Clear Polycarbonate	Ultra-Wide (Type 1)
BHE-4UC2-6NFN-VGN	6,400	45	142	100-277 VAC / 120-250 VDC	5000K (cool white)	Clear Polycarbonate	Ultra-Wide (Type 1)
<b>Battery Backup Models with Flush Bracket</b>							
BHE-4BCG-3NFN-VGG	3,200	25	128	230/240 VAC	5000K (cool white)	Clear Polycarbonate	Circular
BHE-4BCG-6NFN-VGG	6,700	48	140	230/240 VAC	5000K (cool white)	Clear Polycarbonate	Circular
BHE-4UCG-3NFN-VGG	3,100	25	124	230/240 VAC	5000K (cool white)	Clear Polycarbonate	Ultra-Wide (Type 1)
BHE-4UCG-6NFN-VGG	6,400	48	133	230/240 VAC	5000K (cool white)	Clear Polycarbonate	Ultra-Wide (Type 1)

All values typical unless otherwise stated (tolerance +/- 10%).

**DISCLAIMER.** All product information provided is, to the best of Dialight's knowledge, accurate as of the date of publication. When ordering, refer to [www.dialight.com](http://www.dialight.com) for current versions of: (a) relevant product documentation (including the relevant product data sheets); (b) Dialight terms and conditions of sale; and, (c) the relevant product warranty. To the extent that any contract is deemed formed between Dialight and the purchaser of Dialight products and/or an end-user, versions of documents available at [www.dialight.com](http://www.dialight.com) as at the date of sale shall be the versions incorporated therein. In the event of any discrepancy between this document or information provided at [www.dialight.com](http://www.dialight.com), the latter shall prevail.

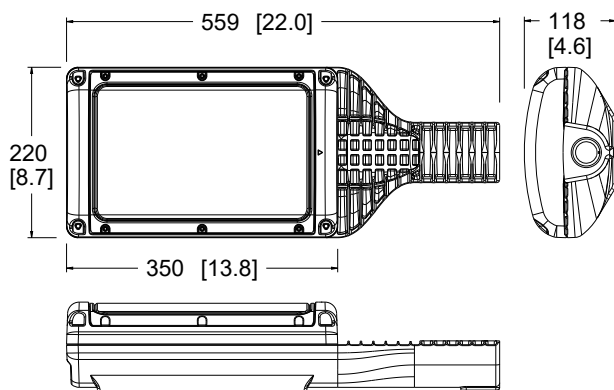
# Vigilant® LED Bulkhead - Pole Mount Model - CE/RCM

## Technical Specifications



### Certifications & Ratings

- 10 year warranty
- CE / RCM
- IP66/67
- IK10
- L70 > 150,00 hours @ 65°C (149°F) ambient



Dimensions in mm (inches)

### Mechanical Information:

#### Fixture weights:

Standard models: 8.1 kg (17.9 lb)

Battery backup models: 9 kg (19.7 lb)

#### Shipping weights:

Standard models: 8.8 kg (19.4 lb)

Battery backup models: 9.7 kg (20.4 lb)

#### Cable entry:

(1) M25

#### Spigot entry size:

35mm ID

### Materials:

#### Housing:

A360 Die-cast aluminium

#### Finish:

Superior dual coat finish  
- Sealed polyester topcoat  
- Epoxy primer

#### Lens:

Polycarbonate clear  
Polycarbonate diffused (optional)

#### Hardware:

316 Stainless Steel

### Electrical Specifications:

#### Operating voltage:

Standard models: 100-277 VAC / 120-250 VDC

Battery backup models: 230/240 VAC

#### Operating temperature:

Standard models: -40°C to +65°C (-40°F to +149°F)

Battery backup models: -20°C to +55°C (-4°F to +131°F)

#### Surge protection:

Tested to IEC 61000-4-5  
6kV/3kA, 1.2/50, 8/20us  
Combination Wave  
Line-line and line-ground

#### THD:

< 18%

#### Power factor:

> 0.9

#### Dimming:

DALI 1.0 and 2.0  
0-10 VDC continuous dimming to <10%

### Battery Backup Models: (integral battery)

#### Battery duration\* (circular optic, clear lens):

6.5k lumen outputs: 180 mins ~ 900 lm

90 mins ~ 1100 lm

60 mins ~ 1140 lm

3k lumen outputs: 180 mins ~ 800 lm

90 mins ~ 1100 lm

60 mins ~ 1140 lm

#### Expected battery life:

4 years

### Photometric Information:

#### Lumen output\*:

3,000 & 6,500 lm (white light)

#### CRI:

> 80 (white light)

#### CCT:

5000K (cool white)

4000K (neutral white)

All values typical unless otherwise stated (tolerance +/- 10%)

\* @ 25°C ambient

**WARNING - INSTALLATION & SECONDARY RETENTION.** Use of any Dialight products without proper installation (including secondary retention / netting) and periodic inspections could cause severe injury or death. Dialight recommends that all installations should use secondary retention / netting (appropriate to the installation environment) where applicable. It is the exclusive responsibility of the contractor, installer and/or end-user to: (a) determine the suitability of the product for its intended application; and, (b) ensure that the product is safely installed (with secondary retention / netting where appropriate) and in compliance with all applicable laws and regulations. To the extent permissible under applicable laws, Dialight disclaims all liability for personal injury and/or other damage resulting from any dislodgment or other dislocation of its products.

# Vigilant® LED Bulkhead - Pole Mount Model - CE/RCM

## Australia & Asia Order Codes

### Australia

Part Number	Fixture Lumens	Wattage	lm/W	Voltage	CCT	Lens	Beam Distribution
<b>Pole Mount Models</b>							
BPE-4BN2-3NNN-VGN	3,200	22	149	100-277 VAC / 120-250 VDC	4000K (neutral white)	Clear Polycarbonate	Circular
BPE-4BN2-6NNN-VGN	6,700	45	149	100-277 VAC / 120-250 VDC	4000K (neutral white)	Clear Polycarbonate	Circular
<b>BPE-4UN2-3NNN-VGN</b>	3,100	22	144	100-277 VAC / 120-250 VDC	4000K (neutral white)	Clear Polycarbonate	Ultra-Wide (Type 1)
<b>BPE-4UN2-6NNN-VGN</b>	6,400	45	142	100-277 VAC / 120-250 VDC	4000K (neutral white)	Clear Polycarbonate	Ultra-Wide (Type 1)
<b>Pole Mount Battery Backup Models</b>							
BPE-4BNG-3NNN-VGF	3,200	25	128	230/240 VAC	4000K (neutral white)	Clear Polycarbonate	Circular
BPE-4BNG-6NNN-VGF	6,700	48	140	230/240 VAC	4000K (neutral white)	Clear Polycarbonate	Circular
<b>BPE-4UNG-3NNN-VGF</b>	3,100	25	124	230/240 VAC	4000K (neutral white)	Clear Polycarbonate	Ultra-Wide (Type 1)
<b>BPE-4UNG-6NNN-VGF</b>	6,400	48	133	230/240 VAC	4000K (neutral white)	Clear Polycarbonate	Ultra-Wide (Type 1)

All values typical unless otherwise stated (tolerance +/- 10%).  
Part numbers listed in **bold** are typically available in stock.

### Asia

Part Number	Fixture Lumens	Wattage	lm/W	Voltage	CCT	Lens	Beam Distribution
<b>Pole Mount Models</b>							
BPE-4BC2-3NNN-VGN	3,200	22	149	100-277 VAC / 120-250 VDC	5000K (cool white)	Clear Polycarbonate	Circular
BPE-4BC2-6NNN-VGN	6,700	45	149	100-277 VAC / 120-250 VDC	5000K (cool white)	Clear Polycarbonate	Circular
BPE-4UC2-3NNN-VGN	3,100	22	144	100-277 VAC / 120-250 VDC	5000K (cool white)	Clear Polycarbonate	Ultra-Wide (Type 1)
BPE-4UC2-6NNN-VGN	6,400	45	142	100-277 VAC / 120-250 VDC	5000K (cool white)	Clear Polycarbonate	Ultra-Wide (Type 1)
<b>Pole Mount Battery Backup Models</b>							
BPE-4BCG-3NNN-VGG	3,200	25	128	230/240 VAC	5000K (cool white)	Clear Polycarbonate	Circular
BPE-4BCG-6NNN-VGG	6,700	48	140	230/240 VAC	5000K (cool white)	Clear Polycarbonate	Circular
BPE-4UCG-3NNN-VGG	3,100	25	124	230/240 VAC	5000K (cool white)	Clear Polycarbonate	Ultra-Wide (Type 1)
BPE-4UCG-6NNN-VGG	6,400	48	133	230/240 VAC	5000K (cool white)	Clear Polycarbonate	Ultra-Wide (Type 1)

All values typical unless otherwise stated (tolerance +/- 10%).

**DISCLAIMER.** All product information provided is, to the best of Dialight's knowledge, accurate as of the date of publication. When ordering, refer to [www.dialight.com](http://www.dialight.com) for current versions of: (a) relevant product documentation (including the relevant product data sheets); (b) Dialight terms and conditions of sale; and, (c) the relevant product warranty. To the extent that any contract is deemed formed between Dialight and the purchaser of Dialight products and/or an end-user, versions of documents available at [www.dialight.com](http://www.dialight.com) as at the date of sale shall be the versions incorporated therein. In the event of any discrepancy between this document or information provided at [www.dialight.com](http://www.dialight.com), the latter shall prevail.

# DuroSite® LED Floodlight - CE/UL

## Technical Specifications



### Ratings and Certifications

- 10 year warranty
- L70 >150,000 hours @ 25°C ambient
- CE / RCM / UL
- IP66 / 67
- IK07 (glass lens)

\*All features not available on every model. Please refer to product part number pages for model specifics.

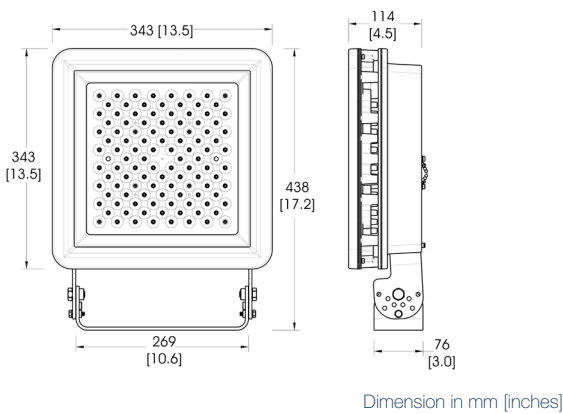
### Mechanical Information

<b>Fixture weight:</b>	13.6 kg (30 lb)
<b>Shipping weight:</b>	15.4 kg (34 lb)
<b>Mounting:</b>	304 stainless steel trunnion mounting bracket included
	Secondary retention standard
<b>Cable Entries:</b>	(2) M20 x 1.5mm
<b>Terminals:</b>	0.5-4mm <sup>2</sup> x 3 via integrated junction box

### Specifications

<b>Voltage options:</b>	100-277 VAC, 50/60Hz	<b>Housing:</b>	Die cast aluminium
<b>Operating temp:</b>	-40°C to +65°C	<b>Lens:</b>	Tempered glass Polycarbonate
		<b>Finish:</b>	Superior dual coat finish - Sealed polyester topcoat - Chemical-resistant epoxy primer
<b>Power factor:</b>	>0.9	<b>CRI:</b>	70
<b>THD:</b>	<20%	<b>CCT:</b>	5000K (cool white) 4000K (neutral white)
<b>Surge protection:</b>	6kV line-to-line, 6kV line-to-ground		

### Dimensions

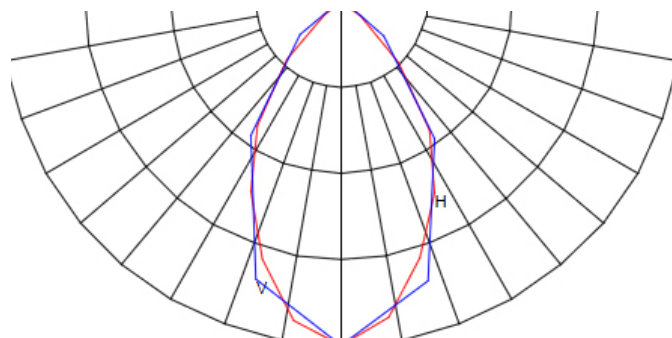


Lumens	Wattage	lm/W	Mounting Heights
15,000	135	111	15m ↓
14,750	135	109	
14,500	140	104	
13,500	140	96	
11,500	106	108	
11,250	106	106	
11,000	106	104	
10,750	106	101	
10,500	106	99	

### Comparison

	Warranty	L70
Dialight LED Floodlight	10yr	>150,000
Metal Halide	1	15,000
High Pressure Sodium	1	20,000

### Beam Distribution



Field Angle = 115°

**WARNING - INSTALLATION & SECONDARY RETENTION.** Use of any Dialight products without proper installation (including secondary retention / netting) and periodic inspections could cause severe injury or death. Dialight recommends that all installations should use secondary retention / netting (appropriate to the installation environment) where applicable. It is the exclusive responsibility of the contractor, installer and/or end-user to: (a) determine the suitability of the product for its intended application; and, (b) ensure that the product is safely installed (with secondary retention / netting where appropriate) and in compliance with all applicable laws and regulations. To the extent permissible under applicable laws, Dialight disclaims all liability for personal injury and/or other damage resulting from any dislodgment or other dislocation of its products.

# DuroSite® LED Floodlight - CE/UL

## Australia & Asia Order Codes

Current Part Number	Historic Part Number	Fixture Lumens	Wattage	lm/W	Voltage	Colour Temperature (CCT)	Lens	Beam Distribution
FLE76B2BNTNNGN	FLE466MC4NG	15,000	135	111	100-277 VAC	5000K (cool white)	Tempered Glass	NEMA 6
FLE76N2BNTNNGN	FLE466MN4NG	14,250	135	105	100-277 VAC	4000K (neutral white)	Tempered Glass	NEMA 6
FLE46B2BNTNNGN	FLE466MC4NP	14,000	135	104	100-277 VAC	5000K (cool white)	Polycarbonate	NEMA 6
FLE46N2BNTNNGN	FLE466MN4NP	13,250	135	98	100-277 VAC	4000K (neutral white)	Polycarbonate	NEMA 6

All values typical unless otherwise stated (tolerance +/- 10%).

Part numbers listed in **bold** are typically available in stock.

Part numbers listed in the table above are neutral white. For cool white models, replace the 8th character with a **C**.

Historical part number provided for reference only. For performance characteristics of historical product, please contact your local representative.



### **HZXSAFECBLS**

- Stainless steel safety cable kit

# DuroSite® LED Linear - CE/UL

## Technical Specifications



### Ratings and Certifications

- 5 year warranty
- L70 >100,000 hours @ 25°C ambient
- CE / ENEC / RCM / UL
- IP66 / 67

\*All features not available on every model. Please refer to product part number pages for model specifics.

### Mechanical Information

<b>Fixture weight:</b>	
<b>1.22m:</b>	5.9 kg (13 lb)
<b>0.61m:</b>	4.5 kg (10 lb)
<b>Shipping weight:</b>	
<b>1.22m:</b>	8.2 kg (18 lb)
<b>0.61m:</b>	6.8 kg (15 lb)
<b>Mounting:</b>	(4) M25 openings Factory-installed 316 stainless steel swivel bracket - LPXW4 Secondary retention option available
<b>Cable Entries:</b>	(4) M25 x 1.5
<b>Terminals:</b>	0.5-4mm <sup>2</sup> x 3 via integrated junction box

### Specifications

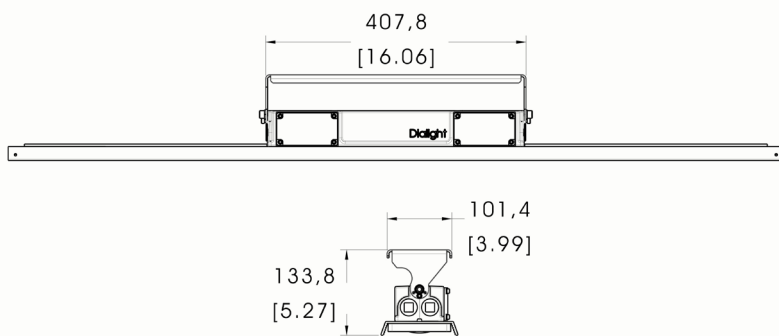
<b>Voltage options:</b>	100-277 VAC	<b>Housing:</b>	Copper-free aluminium
<b>Operating temp:</b>	-40°C to +65°C	<b>Lens:</b>	Polycarbonate diffused
<b>Power factor:</b>	>0.9	<b>Finish:</b>	Superior dual coat finish - Sealed polyester topcoat - Chemical-resistant epoxy primer
<b>THD:</b>	<20%	<b>CRI:</b>	80
<b>Surge protection:</b>	EN 61000-4-5 4 kV line-to-line, 4 kV line-to-ground	<b>CCT:</b>	5000K (cool white) 4000K (neutral white)

### Comparison

	Warranty	L70
Dialight LED Linear	5yr	>100,000
Fluorescent	1	24,000

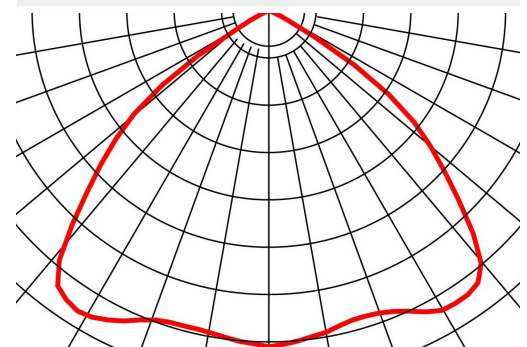
Lumens	Wattage	Lm/W	Mounting Heights
6,700	66	102	6m
			↕
3,300	33	100	3m

### Dimensions



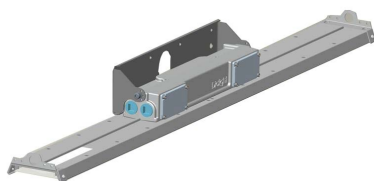
Dimension in mm [inches]

### Beam Distribution

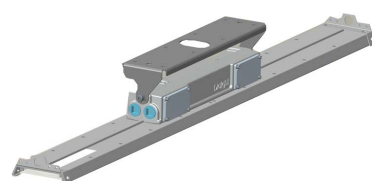


Medium

### Mounting Options



Side Mount - LPXW4 (included)



Top Mount - LPXW4 (included)

**WARNING - INSTALLATION & SECONDARY RETENTION.** Use of any Dialight products without proper installation (including secondary retention / netting) and periodic inspections could cause severe injury or death. Dialight recommends that all installations should use secondary retention / netting (appropriate to the installation environment) where applicable. It is the exclusive responsibility of the contractor, installer and/or end-user to: (a) determine the suitability of the product for its intended application; and, (b) ensure that the product is safely installed (with secondary retention / netting where appropriate) and in compliance with all applicable laws and regulations. To the extent permissible under applicable laws, Dialight disclaims all liability for personal injury and/or other damage resulting from any dislodgment or other dislocation of its products.



# DuroSite® LED Linear - CE/UL

## Australia & Asia Order Codes

Current Part Number	Historic Part Number	Fixture Lumens	Wattage	lm/W	Voltage	Colour Temperature (CCT)	Lens	Beam Distribution
LPE3N4B2W	LPE3C4D2P	3,300	33	100	100-277 VAC	4000K (neutral white)	Diffused polycarbonate	Medium
LPE3N4H2W	LPE3C4M2P	6,700	66	102	100-277 VAC	4000K (neutral white)	Diffused polycarbonate	Medium

All values typical unless otherwise stated (tolerance +/- 10%).

Part numbers listed in **bold** are typically available in stock.

Part numbers listed in the table above are neutral white. For cool white models, replace the 5th character with a **C**.

Historical part number provided for reference only. For performance characteristics of historical product, please contact your local representative.



### LPXW4LP

- 316 stainless steel low profile mounting bracket, can be angled at 0° and 15°



### LPXW4 (included)

- 316 stainless steel mounting bracket, can be angled at 0°, 30°, 45°, 60°, & 90°



### LTXENDCAPKIT

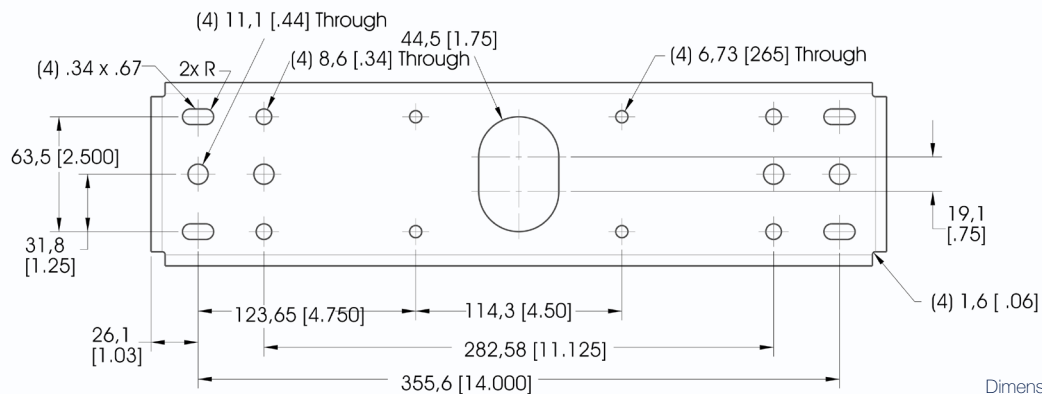
- 304 stainless steel chain mount and secondary retention bracket



### LTXSAFEKIT

- Stainless steel safety cable kit for secondary retention

LPXW4 Mounting Bracket Dimensions



Dimension are in mm [inches]

**DISCLAIMER.** All product information provided is, to the best of Dialight's knowledge, accurate as of the date of publication. When ordering, refer to [www.dialight.com](http://www.dialight.com) for current versions of: (a) relevant product documentation (including the relevant product data sheets); (b) Dialight terms and conditions of sale; and, (c) the relevant product warranty. To the extent that any contract is deemed formed between Dialight and the purchaser of Dialight products and/or an end-user, versions of documents available at [www.dialight.com](http://www.dialight.com) as at the date of sale shall be the versions incorporated therein. In the event of any discrepancy between this document or information provided at [www.dialight.com](http://www.dialight.com), the latter shall prevail.

# SafeSite® LED High Bay - IECEx/ATEX

## Technical Specifications



### Ratings and Certifications

- 10 year warranty
- CE / ENEC / RCM
- IP66
- IECEx / ATEX Zone 1, 21
- RoHS compliant
- IECEx / ATEX Zone 2, 22
- L70 >150,000 hours @ 25°C ambient

\*All features not available on every model. Please refer to product part number pages for model specifics.

### Mechanical Information

<b>Fixture weight:</b>	14.1 kg (31 lb) w/ 3m SWB fixed cable
	15.4 kg (34 lb) w/ junction box
<b>Mounting:</b>	Aluminum or stainless steel stirrup mounting bracket (included)
	Secondary retention option available
<b>Wiring options:</b>	Factory fitted junction terminal box with 2 off M25 x 1.5mm or M20 x 1.5 mm cable entries or 3m SWB cable
<b>Terminals:</b>	0,5-4mm <sup>2</sup> x 6 on junction box models

### Specifications

<b>Voltage options:</b>	100-277 VAC, 120-250 VDC	<b>Housing:</b>	Copper-free aluminium
<b>Operating temp:</b>	-40°C to +60°C	<b>Lens:</b>	Tempered glass (optional fragment retention available)
<b>Power factor:</b>	>0.9	<b>Finish:</b>	Superior dual coat finish - Sealed polyester topcoat - Chemical-resistant epoxy primer
<b>THD:</b>	<20%	<b>CRI:</b>	80 typical
<b>Surge protection:</b>	Protection devices capable of handling up to 6kV. Tested for 6kV/2 ohm combination wave, as per IEEE C62.41, line-line and line-ground	<b>CCT:</b>	5000K (cool white)
			4000K (neutral white)
			2700K (warm white)

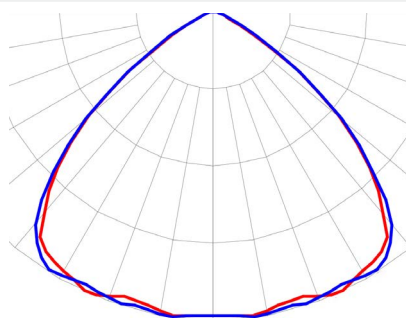
### Comparison

	Warranty	L70	T-Rating
Dialight LED High Bay	10yr	>150,000	T4
Metal Halide	1	15,000	T2
High Pressure Sodium	1	20,000	T2A

### Lumens Wattage lm/W Mounting Heights

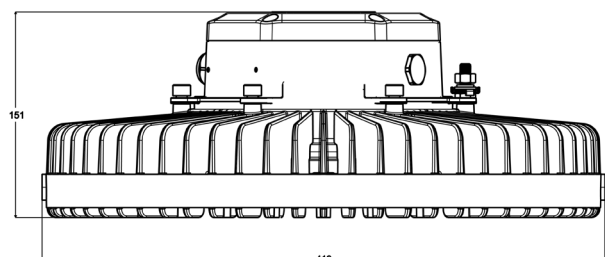
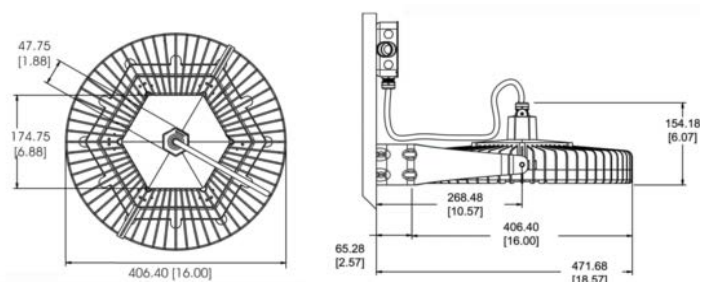
Lumens	Wattage	lm/W	Mounting Heights
20,810	148	141	12m
			↕
7,870	58	136	5m

### Beam Distribution



Medium

### Dimensions



Dimension in mm [inches]

**WARNING - INSTALLATION & SECONDARY RETENTION.** Use of any Dialight products without proper installation (including secondary retention / netting) and periodic inspections could cause severe injury or death. Dialight recommends that all installations should use secondary retention / netting (appropriate to the installation environment) where applicable. It is the exclusive responsibility of the contractor, installer and/or end-user to: (a) determine the suitability of the product for its intended application; and, (b) ensure that the product is safely installed (with secondary retention / netting where appropriate) and in compliance with all applicable laws and regulations. To the extent permissible under applicable laws, Dialight disclaims all liability for personal injury and/or other damage resulting from any dislodgment or other dislocation of its products.

# SafeSite® LED High Bay - IECEx/ATEX

## Australia & Asia Order Codes

Current Part Number	Historic Part Number	Fixture Lumens	Wattage	lm/W	Voltage	Colour Temperature (CCT)	Lens	Beam Distribution
<b>IECEx Standard Cabled Models</b>								
<b>HEA7MN2ANA-WNGN</b>	HEA9MN4DN-BCG	7,870	58	136	100-277 VAC, 120-250 VDC	Neutral White 4000K	Clear Tempered Glass	Medium
<b>HEA7MN2BNA-WNGN</b>	HEA9MN4GN-BCG	10,570	77	137	100-277 VAC, 120-250 VDC	Neutral White 4000K	Clear Tempered Glass	Medium
<b>HEA7MN2CNA-WNGN</b>	HEA9MN4KN-BCG	15,890	113	141	100-277 VAC, 120-250 VDC	Neutral White 4000K	Clear Tempered Glass	Medium
<b>HEA7MN2ENA-WNGN</b>	HEA9MN4PN-BCG	20,810	148	141	100-277 VAC, 120-250 VDC	Neutral White 4000K	Clear Tempered Glass	Medium
<b>IECEx Standard Junction Box Models</b>								
<b>HWA7MN2ADA-NNGN</b>	HEA9MN4DN-KCG	7,870	58	136	100-277 VAC, 120-250 VDC	Neutral White 4000K	Clear Tempered Glass	Medium
<b>HWA7MN2BDA-NNGN</b>	HEA9MN4GN-KCG	10,570	77	137	100-277 VAC, 120-250 VDC	Neutral White 4000K	Clear Tempered Glass	Medium
<b>HWA7MN2CDA-NNGN</b>	HEA9MN4KN-KCG	15,890	113	141	100-277 VAC, 120-250 VDC	Neutral White 4000K	Clear Tempered Glass	Medium
<b>HWA7MN2EDA-NNGN</b>	HEA9MN4PN-KCG	20,810	148	141	100-277 VAC, 120-250 VDC	Neutral White 4000K	Clear Tempered Glass	Medium
<b>IECEx Hydrogen Area Junction Box Models</b>								
<b>HEH9MN4KN-KCG</b>	HEH9MC4PN-JNG	16,000	144	111	100-277 VAC, 120-250 VDC	Neutral White 4000K	Clear Tempered Glass	Medium
<b>HEH9MN4PN-KCG</b>	HEH9MC4PN-JNG	23,500	212	111	100-277 VAC, 120-250 VDC	Neutral White 4000K	Clear Tempered Glass	Medium
<b>CID2 Standard Cabled Models</b>								
<b>HED7MN2ANN-WNGN</b>	HEDGMC4DN-SNG	11,000	80	138	100-277 VAC, 120-250 VDC	Neutral White 4000K	Clear Tempered Glass	Medium
<b>HED7MN2BNN-WNGN</b>	HEDGMC4GN-SNG	13,750	102	135	100-277 VAC, 120-250 VDC	Neutral White 4000K	Clear Tempered Glass	Medium
<b>HED7MN2CNN-WNGN</b>	HEDGMC4KN-SNG	18,750	129	145	100-277 VAC, 120-250 VDC	Neutral White 4000K	Clear Tempered Glass	Medium
<b>HED7MN2ENN-WNGN</b>	HEDGMC4PN-SNG	26,000	186	140	100-277 VAC, 120-250 VDC	Neutral White 4000K	Clear Tempered Glass	Medium

All values typical unless otherwise stated (tolerance +/- 10%).

Part numbers listed in **bold** are typically available in stock.

Part numbers listed in the table above are neutral white. For cool white models, replace the 6th character with a **C**.

Part numbers listed in the table above are neutral white. For warm white models, replace the 6th character with a **W**.

Historical part number provided for reference only. For performance characteristics of historical product, please contact your local representative.



### HBXW3-SSL-316M

- 316 stainless steel bracket



### HBXW3

- Aluminium swivel bracket (included with fixture)



### HBXSBDK

- Sand blast kit (dome lens)

### HBXSBDL

- Sacrificial dome lens



### HBXSBL

- Sand blast kit (flat lens)

### HBXSBL

- Sacrificial flat lens

**DISCLAIMER.** All product information provided is, to the best of Dialight's knowledge, accurate as of the date of publication. When ordering, refer to [www.dialight.com](http://www.dialight.com) for current versions of: (a) relevant product documentation (including the relevant product data sheets); (b) Dialight terms and conditions of sale; and, (c) the relevant product warranty. To the extent that any contract is deemed formed between Dialight and the purchaser of Dialight products and/or an end-user, versions of documents available at [www.dialight.com](http://www.dialight.com) as at the date of sale shall be the versions incorporated therein. In the event of any discrepancy between this document or information provided at [www.dialight.com](http://www.dialight.com), the latter shall prevail.

# SafeSite® LED Floodlight - IECEx/ATEX - CE



## Technical Specifications



### Ratings and Certifications

- 10 year warranty
- CE / ENEC / RCM
- IP66
- IECEx / ATEX Zone 1, 21
- RoHS compliant
- IECEx / ATEX Zone 2, 22
- L70 >150,000 hours @ 25°C ambient

\*All features not available on every model. Please refer to product part number pages for model specifics.

### Specifications

<b>Voltage options:</b>	100-277 VAC, 120-250 VDC	<b>Housing:</b>	Copper-free aluminum
		<b>Lens:</b>	Tempered glass (optional fragment retention available)
<b>Operating temp:</b>	-40°C to +60°C	<b>Finish:</b>	Superior dual coat finish - Sealed polyester topcoat - Chemical-resistant epoxy primer
<b>Power factor:</b>	>0.9	<b>CRI:</b>	80 typical
<b>THD:</b>	<20%	<b>CCT:</b>	5000K (cool white)
<b>Surge protection:</b>	Protection devices capable of handling up to 6kV. Tested for 6kV/2 ohm combination wave, as per IEEE C62.41, line-line and line-ground		4000K (neutral white)
			2700K (warm white)

### Mechanical Information

<b>Fixture weight:</b>	15.4 kg (34 lb)
<b>Mounting:</b>	316 stainless steel mounting bracket (included) Secondary retention option available
<b>Cable Entries:</b>	(2) M25 x 1.5mm
<b>Terminals:</b>	0,5-4mm <sup>2</sup> x 6

### Comparison

	Warranty	L70	T-Rating
Dialight LED Floodlight	10yr	>150,000	T4
Metal Halide	1	15,000	T2
High Pressure Sodium	1	20,000	T2A

### Lumens

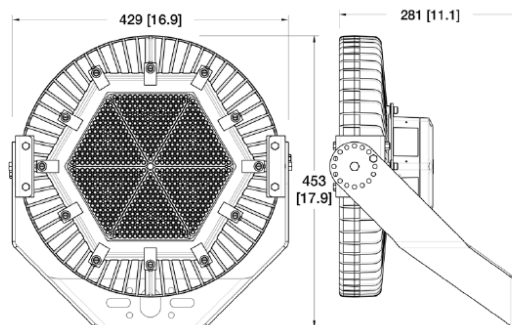
### Wattage

### lm/W

### Mounting Heights

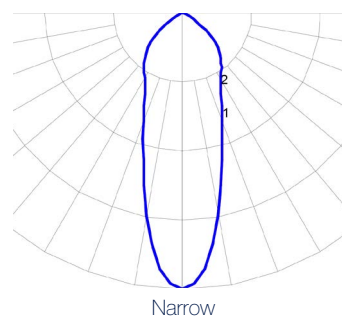
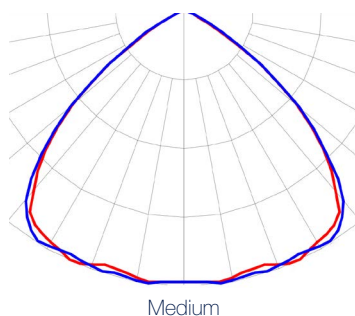
20,810	148	141	12m
15,890	113	141	5m

### Dimensions



Dimension in mm (inches)

### Beam Distribution



**WARNING - INSTALLATION & SECONDARY RETENTION.** Use of any Dialight products without proper installation (including secondary retention / netting) and periodic inspections could cause severe injury or death. Dialight recommends that all installations should use secondary retention / netting (appropriate to the installation environment) where applicable. It is the exclusive responsibility of the contractor, installer and/or end-user to: (a) determine the suitability of the product for its intended application; and, (b) ensure that the product is safely installed (with secondary retention / netting where appropriate) and in compliance with all applicable laws and regulations. To the extent permissible under applicable laws, Dialight disclaims all liability for personal injury and/or other damage resulting from any dislodgment or other dislocation of its products.

# SafeSite® LED Floodlight - IECEx/ATEX - CE

## Australia & Asia Order Codes

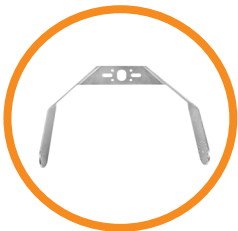
Current Part Number	Historic Part Number	Fixture Lumens	Wattage	lm/W	Voltage	Colour Temperature (CCT)	Lens	Beam Distribution
<b>Standard Models</b>								
<b>FSA7MN2CDV-NNGN</b>	FLA9MN4KN-KNG	15,890	113	141	100-277 VAC, 120-250 VDC	Neutral White 4000K	Clear Tempered Glass	Medium
<b>FSA7NN2CDV-NNGN</b>	FLA9NN4KN-KNG	15,890	113	141	100-277 VAC, 120-250 VDC	Neutral White 4000K	Clear Tempered Glass	Narrow
<b>FSA7MN2EDV-NNGN</b>	FLA9MN4PN-KNG	20,810	148	141	100-277 VAC, 120-250 VDC	Neutral White 4000K	Clear Tempered Glass	Medium
<b>FSA7NN2EDV-NNGN</b>	FLA9NN4PN-KNG	20,810	148	141	100-277 VAC, 120-250 VDC	Neutral White 4000K	Clear Tempered Glass	Narrow
<b>Hydrogen Models</b>								
<b>FLH9MN4KN-KNG</b>	FLH9MC4KN-KNG	16,000	144	111	100-277 VAC	Neutral White 4000K	Clear Tempered Glass	Medium
<b>FLH9NN4KN-KNG</b>	FLH9NC4KN-KNG	16,000	144	111	100-277 VAC	Neutral White 4000K	Clear Tempered Glass	Narrow
<b>FLH9MN4PN-KNG</b>	FLH9MC4PN-KNG	23,500	212	111	100-277 VAC	Neutral White 4000K	Clear Tempered Glass	Medium
<b>FLH9NN4PN-KNG</b>	FLH9NC4PN-KNG	23,500	212	111	100-277 VAC	Neutral White 4000K	Clear Tempered Glass	Narrow

All values typical unless otherwise stated (tolerance +/- 10%).

Part numbers listed in **bold** are typically available in stock.

Part numbers listed in the table above are neutral white. For cool white models, replace the 6th character with a **C**.

Historical part number provided for reference only. For performance characteristics of historical product, please contact your local representative.



### HBXW3-SSL-316FT

- 316 stainless steel forward throw bracket



### HZXCBL2

- Stainless steel safety cable kit



### HBXSBDK

- Sand blast kit (dome lens)

### HBXSBDL

- Sacrificial dome lens

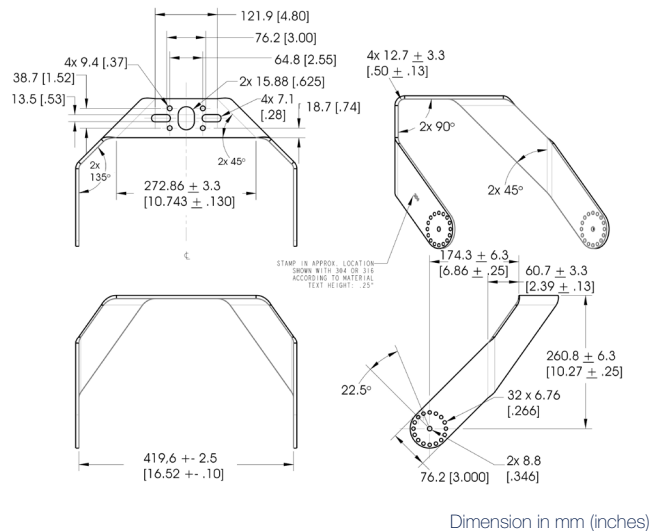


### HBXSBK

- Sand blast kit (flat lens)

### HBXSBL

- Sacrificial flat lens



Dimension in mm (inches)

# SafeSite® LED Floodlight - UL

## Technical Specifications



Ratings and Certifications		
• UL 844	• CID2 A,B,C,D	• IK07 (glass) / IK10 (polycarbonate)
• UL 1598/A	• CID1 E,F,G	• 10 year warranty
• CSA C22.2 No.137-M81	• CID2 F,G	• L70 rated for >100,000 hours
• IP66/67	• CIII	

\*All features not available on every model. Please refer to product part number pages for model specifics.

Temperature Ratings	
Ambient Temperature Range T4A Temperature Code	Ambient Temperature Range T5 Temperature Code
15,000 - 13,500lm models	11,500 - 10,750lm models
-40°F to +149°F (-40°C to +65°C)	-40°F to +149°F (-40°C to +65°C)

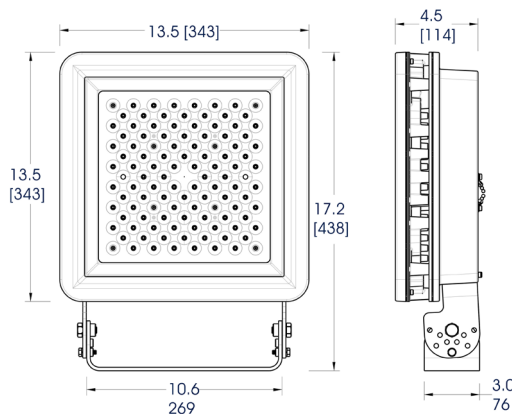
Mechanical Information	
<b>Fixture weight:</b>	30 lb (13.6 kg)
<b>Shipping weight:</b>	34 lb (15.4 kg)
<b>Mounting:</b>	304 Stainless steel trunnion mounting bracket included Secondary retention standard
<b>EPA (Sq. ft)</b>	1.66 sq. ft.
<b>Entry:</b>	(2) 3/4" NPT cable entries

Specifications			
<b>Voltage options:</b>	100-277 VAC	<b>Housing:</b>	Copper-free aluminum
<b>Operating temp:</b>	-40°F to +149°F (-40°C to +65°C)	<b>Lens:</b>	Tempered glass Polycarbonate
<b>Power factor:</b>	>0.9	<b>CRI:</b>	75
<b>THD:</b>	<20%	<b>CCT:</b>	5000K (cool white) 4000K (neutral white)
<b>Surge protection:</b>	IEC 61000-4-5 6kV line-to-line , 6kV line-to-ground		

	Comparison		
	Warranty	L70	T-Rating
Dialight LED Floodlight	10yr	>100,000	T5
Metal Halide	1	6,000	T2
High Pressure Sodium	1	20,000	T2A

Lumens	Wattage	lm/W	Mounting Heights
15,000	135	111	
14,750	135	109	
13,500	140	96	
11,500	106	108	
11,250	106	106	
11,000	106	104	
10,750	106	101	
10,500	106	99	

### Dimensions



Dimension in inches [mm]

**WARNING - INSTALLATION & SECONDARY RETENTION.** Use of any Dialight products without proper installation (including secondary retention / netting) and periodic inspections could cause severe injury or death. Dialight recommends that all installations should use secondary retention / netting (appropriate to the installation environment) where applicable. It is the exclusive responsibility of the contractor, installer and/or end-user to: (a) determine the suitability of the product for its intended application; and, (b) ensure that the product is safely installed (with secondary retention / netting where appropriate) and in compliance with all applicable laws and regulations. To the extent permissible under applicable laws, Dialight disclaims all liability for personal injury and/or other damage resulting from any dislodgment or other dislocation of its products.

# SafeSite® LED Floodlight - UL

## Asia Order Codes

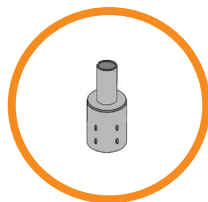
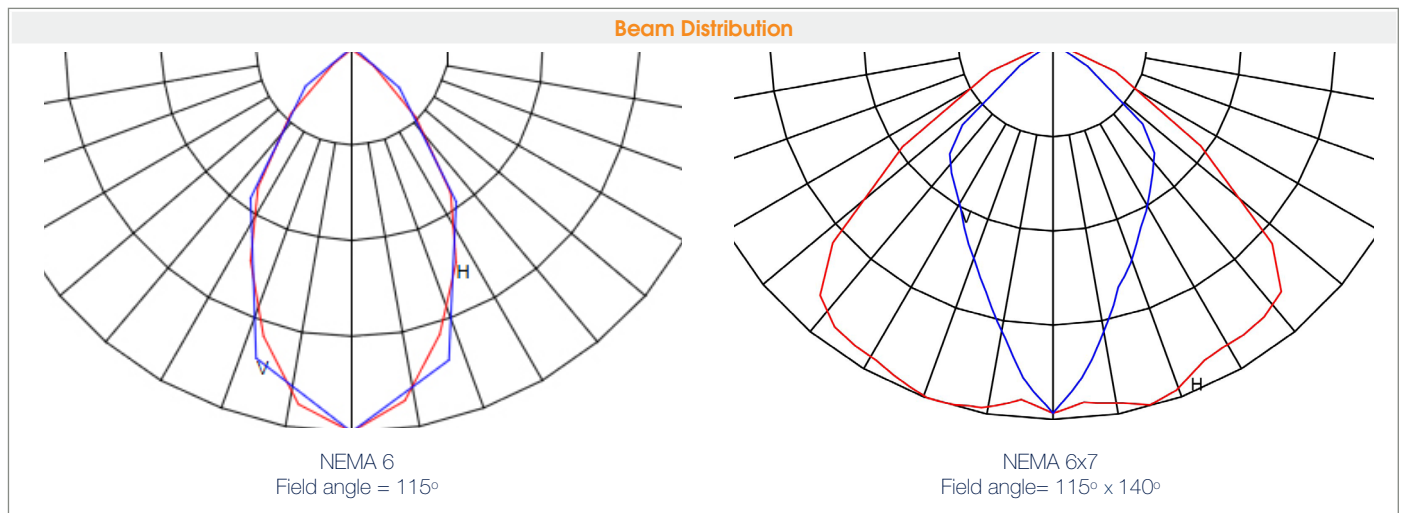
Current Part Number	Historic Part Number	Fixture Lumens	Wattage	lm/W	Voltage	Colour Temperature (CCT)	Lens	Beam Distribution
Class I, Div. 2 Models								
<b>FLD466NN4NG</b>	FLD444NC4NG	15,000	135	111	100-277 VAC	4000K (neutral white)	Tempered glass	NEMA 6 (115°)
FLD467NN4NG	FLD466NC4NG	14,750	135	109	100-277 VAC	4000K (neutral white)	Tempered glass	NEMA 6x7 (115° x 140°)

All values typical unless otherwise stated (tolerance +/- 10%).

Part numbers listed in **bold** are typically available in stock.

Part numbers listed in the table above are neutral white. For cool white models, replace the 8th character with a **C**.

Historical part number provided for reference only. For performance characteristics of historical product, please contact your local representative.



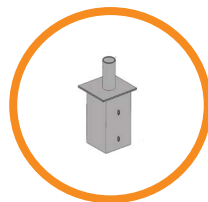
**FLX-3RPA-20DB**

- Reducer for 3" OD round pole top to 2-3/8" light mount



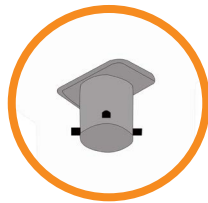
**HZXCBL2**

- Stainless steel safety cable kit



**FLX-4SPA-20DB**

- Internal tenon adapter for 4" square pole top to 2-3/8" light mount



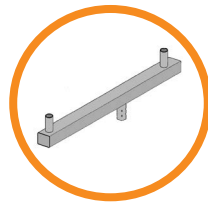
**FLX-1TPT-20DB**

- Tenon pole topper, 2-3/8" mount



**FLX-1RAB-20DB**

- Tenon pole topper, 2-3/8" mount



**FLX-2RSR-20DB**

- Round square round bracket for 2 lights, 2-3/8" mount, 21" spacing



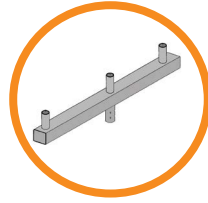
**FLX-2LBH-20DB**

- Bull horn for 2 lights, 2-3/8" mount, 21" spacing



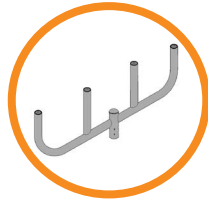
**FLX-3LBH-20DB**

- Bull horn for 3 lights, 2-3/8" mount, 21" spacing



**FLX-3RSR-20DB**

- Round square round bracket for 3 lights, 2-3/8" mount, 21" spacing



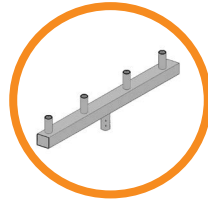
**FLX-4LBH-20DB**

- Bull horn for 4 lights, 2-3/8" mount, 21" spacing



**FLX-4RBH-20DB**

- Bull horn for 4 lights in star configuration, 2-3/8" mount, 21" spacing



**FLX-4RSR-20DB**

- Round square round bracket for 4 lights, 2-3/8" mount, 21" spacing

**DISCLAIMER.** All product information provided is, to the best of Dialight's knowledge, accurate as of the date of publication. When ordering, refer to [www.dialight.com](http://www.dialight.com) for current versions of: (a) relevant product documentation (including the relevant product data sheets); (b) Dialight terms and conditions of sale; and, (c) the relevant product warranty. To the extent that any contract is deemed formed between Dialight and the purchaser of Dialight products and/or an end-user, versions of documents available at [www.dialight.com](http://www.dialight.com) as at the date of sale shall be the versions incorporated therein. In the event of any discrepancy between this document or information provided at [www.dialight.com](http://www.dialight.com), the latter shall prevail.

# SafeSite® LED Area Light - IECEx/ATEX

## Technical Specifications



Ratings and Certifications	
• CE (EN61547:2009, EN55015:2006)	• ATEX / IECEx Zones 1, 21
• Ex II 2GD Ex d IIC T4 Gb (Ta= -40°C to +65°C)	• ATEX / IECEx Zones 2, 22
• Ex t IIC T135°C Db IP 6X (Ta = -40°C to +65°C)	• IP66
• Ex II 2GD Ex d IIC T5 Gb (Ta= -40°C to +42°C)	• IK08
• Ex t IIC T100°C Db IP 6X (Ta = -40°C to +42°C)	• 5 year warranty
• L70 rated for 150,000+ hours @ 25°C ambient	
• ABS Design Assessed #13-HS1043210C-PDA	

\*All features not available on every model. Please refer to product part number pages for model specifics.

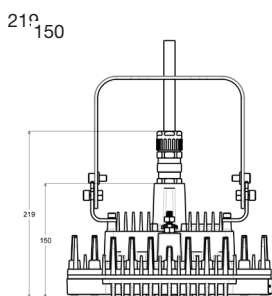
Mechanical Information	
<b>Fixture weight:</b>	Zone 1, 21 - 9.53 kg (21 lbs)
	Junction Box - 9.07 kg (20 lbs)
<b>Shipping weight:</b>	Zone 1, 21 - 10.43 kg (23 lbs)
	Junction Box - 9.98 kg (22 lbs)
<b>Mounting:</b>	Supplied with stirrup mounting bracket
	Secondary retention standard
<b>Cabling:</b>	Zone 1, 21 - Factory installed 3 meter SWB cable
	Junction Box - Factory installed junction box

Specifications			
<b>Voltage options:</b>	100 - 277V AC, 50/60 Hz	<b>Housing:</b>	Copper free aluminium
<b>Operating temp:</b>	-40°C to +65°C	<b>Lens:</b>	Toughened glass
<b>Power factor:</b>	>0.9	<b>CRI:</b>	75
<b>THD:</b>	<20%	<b>CCT:</b>	5000K (cool white)
<b>Surge protection:</b>	1 kV line to line, 2 kV line to ground		4000K (neutral white)

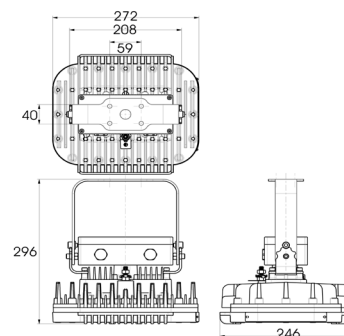
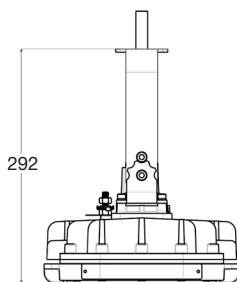
	Comparison		
	Warranty	L70	T-Rating
Dialight Area Light	5yr	>150,000	T5
Metal Halide	1	15,000	T3
High Pressure Sodium	1	20,000	T2A

Lumens	Wattage	Lm/W	Mounting Heights
6,000	58	103	6m
			↕
2,000	22	91	3m

### Dimensions



Zone 1, 21



Junction Box

Dimension are in mm

**WARNING - INSTALLATION & SECONDARY RETENTION.** Use of any Dialight products without proper installation (including secondary retention / netting) and periodic inspections could cause severe injury or death. Dialight recommends that all installations should use secondary retention / netting (appropriate to the installation environment) where applicable. It is the exclusive responsibility of the contractor, installer and/or end-user to: (a) determine the suitability of the product for its intended application; and, (b) ensure that the product is safely installed (with secondary retention / netting where appropriate) and in compliance with all applicable laws and regulations. To the extent permissible under applicable laws, Dialight disclaims all liability for personal injury and/or other damage resulting from any dislodgment or other dislocation of its products.



# SafeSite® LED Area Light - IECEx/ATEX

## Australia & Asia Order Codes

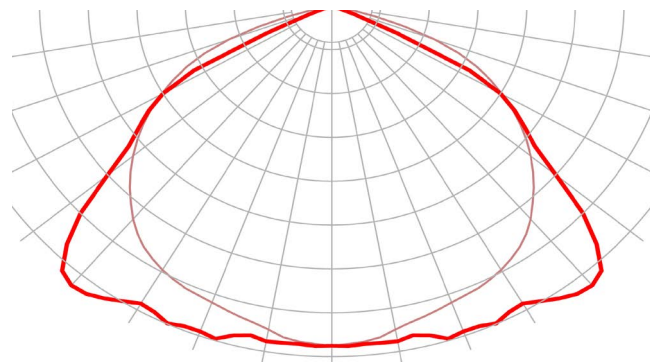
Current Part Number	Historic Part Number	Fixture Lumens	Wattage	lm/W	Voltage	Colour Temperature (CCT)	Lens	Beam Distribution	Mounting Options
<b>IECEX / ATEX Zone 1, 21</b>									
	<b>HZA9C2N</b>	6,000	57	105	100-277 VAC	5000K (cool white)	Toughened glass	360°	Stirrup bracket
<b>IECEX / ATEX Zone 1, 21 with Junction Box</b>									
	<b>HZJA5C2N</b>	5,100	47	109	100-277 VAC	5000K (cool white)	Toughened glass	360°	Junction box
	<b>HZJA9C2N</b>	6,000	57	105	100-277 VAC	5000K (cool white)	Tempered glass	360°	Junction box

All values typical unless otherwise stated (tolerance +/- 10%).

Part numbers listed in **bold** are typically available in stock.

Historical part number provided for reference only. For performance characteristics of historical product, please contact your local representative.

### Beam Distribution



360° Pattern

# SafeSite® LED Area Light - UL 844 Class I, Div 2

## Technical Specifications



Ratings and Certifications	
•	10 year warranty
•	L70 >300,000 hours @ 65°C ambient
•	UL
•	IP66 / 67 / 69
•	IK07 (glass lens) / IK10 (polycarbonate lens)
•	0-10 V dimming as standard

\*All features not available on every model. Please refer to product part number pages for model specifics.

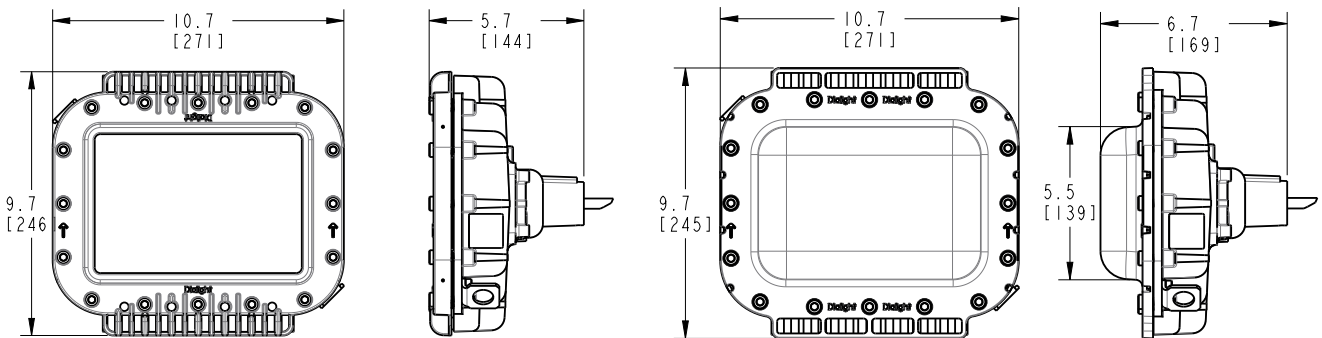
Mechanical Information	
<b>Fixture weight:</b>	
<b>Glass:</b>	5.4 kg (12 lb)
<b>Polycarbonate:</b>	4.5 kg (10 lb)
<b>Shipping weight:</b>	
<b>Glass:</b>	6.3 kg (14 lb)
<b>Polycarbonate:</b>	5.4 kg (12 lb)
<b>Mounting:</b>	Stainless steel, wall and pole mounting bracket options
	Secondary retention standard

Specifications			
<b>Voltage options:</b>	100-277 VAC 50/60Hz, 120-250 VDC	<b>Housing:</b>	Copper-free aluminium
<b>Operating temp:</b>	-40°C to +65°C	<b>Lens:</b>	Hard-coated polycarbonate Tempered glass
<b>Power factor:</b>	>0.9	<b>Finish:</b>	Superior dual coat finish - Sealed polyester topcoat
<b>THD:</b>	<20%	<b>CRI:</b>	80
<b>Surge protection:</b>	6kV, 2 Ohm line-line and line-ground	<b>CCT:</b>	5000K (cool white)
			4000K (neutral white)
			2700K (warm white)

Comparison		
	Warranty	L70
Dialight LED Area Light	10yr	>300,000
Metal Halide	1	15,000
High Pressure Sodium	1	20,000

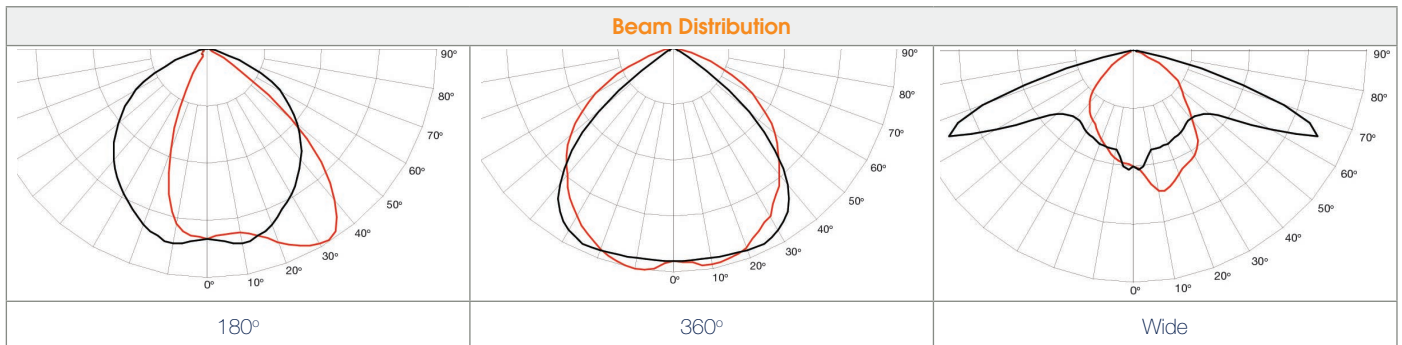
Lumens	Wattage	lm/W	Mounting Heights
9,000	66	136	10m
5,700	40	143	↕
4,200	30	140	3m

### Dimensions



Dimension in inches [mm]

### Beam Distribution



**WARNING - INSTALLATION & SECONDARY RETENTION.** Use of any Dialight products without proper installation (including secondary retention / netting) and periodic inspections could cause severe injury or death. Dialight recommends that all installations should use secondary retention / netting (appropriate to the installation environment) where applicable. It is the exclusive responsibility of the contractor, installer and/or end-user to: (a) determine the suitability of the product for its intended application; and, (b) ensure that the product is safely installed (with secondary retention / netting where appropriate) and in compliance with all applicable laws and regulations. To the extent permissible under applicable laws, Dialight disclaims all liability for personal injury and/or other damage resulting from any dislodgment or other dislocation of its products.

# SafeSite® LED Area Light - UL 844 Class I, Div 2

## Asia Order Codes

Current Part Number	Historic Part Number	Fixture Lumens	Wattage	lm/W	Voltage	Colour Temperature (CCT)	Lens	Beam Distribution	Mounting Options
<b>Class I, Div. 1</b>									
ALC7BN26DBWNGN	HZC9N2NDR	5,300	40	133	100-277 VAC, 120-250 VDC	4000K (neutral white)	Tempered glass	360°	316 stainless steel adjustable bracket
ALC7BC26DBWNGN	HZC9N2NDR	5,400	40	135	100-277 VAC, 120-250 VDC	5000K (cool white)	Tempered glass	360°	316 stainless steel adjustable bracket
<b>Class I, Div. 2</b>									
ALD5BN26DNWNGN	HZD9N2N	5,100	40	127	100-277 VAC, 120-250 VDC	4000K (neutral white)	Polycarbonate	360°	3/4" NPT
<b>ALD7WC27DNWNGN</b>		7,300	64	114	100-277 VAC, 120-250 VDC	5000K (cool white)	Tempered glass	Wide	3/4" NPT
<b>ALD7BC29DNWNGN</b>		9,000	66	136	100-277 VAC, 120-250 VDC	5000K (cool white)	Tempered glass	360°	3/4" NPT
ALD5AN26DCNNGN	HZD8N2NC	4,900	40	122	100-277 VAC, 120-250 VDC	4000K (neutral white)	Tempered glass	180°	Crous Hinds - Champ adapter
<b>Class 2, Div. 1</b>									
ALF5BN26DANNGN	HZF5C2NA, HZF9C2NA	5,100	40	127	100-277 VAC, 120-250 VDC	5000K (cool white)	Polycarbonate	360°	Appleton Mercmaster III adapter

All values typical unless otherwise stated (tolerance +/- 10%).

Part numbers listed in **bold** are typically available in stock.

Part numbers listed in the table above are neutral white. For cool white models, replace the 6th character with a **C**.

Historical part number provided for reference only. For performance characteristics of historical product, please contact your local representative.



Certified to: UL 50E • CSA C22.2 No. 94.2-07

**HZXSTAN100S**

- 1.00" (1.315" Pole OD) slip-fit stanchion mount

**HZXSTAN125S**

- 1.25" (1.660" Pole OD) slip-fit stanchion mount

**HZXSTAN052S**

- 52mm slip-fit stanchion mount

**HZXSTAN200S**

- 2.00" (2.375" Pole OD) slip-fit stanchion mount

**HZXSTAN100T**

- 1.00" (1.315" Pole OD) NPT-threaded stanchion mount

**HZXSTAN125T**

- 1.25" (1.660" Pole OD) NPT-threaded stanchion mount

**HZXSTAN150T**

- 1.50" (1.900" Pole OD) NPT-threaded stanchion mount

**HZXSTAN200T**

- 2.00" (2.375" Pole OD) NPT-threaded stanchion mount



**HZXW3**

- 316 stainless steel bracket

**HZXW7**

- Aluminum bracket



**HZXSAFECBLS**

- Safety cable kit



**HZXW4**

- 316 stainless steel bracket with 1.5" pipe clamp

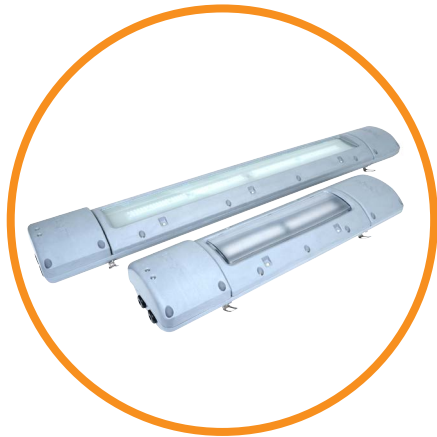
**HZXW8**

- Aluminum bracket with 1.5" pipe clamp

**DISCLAIMER.** All product information provided is, to the best of Dialight's knowledge, accurate as of the date of publication. When ordering, refer to [www.dialight.com](http://www.dialight.com) for current versions of: (a) relevant product documentation (including the relevant product data sheets); (b) Dialight terms and conditions of sale; and, (c) the relevant product warranty. To the extent that any contract is deemed formed between Dialight and the purchaser of Dialight products and/or an end-user, versions of documents available at [www.dialight.com](http://www.dialight.com) as at the date of sale shall be the versions incorporated therein. In the event of any discrepancy between this document or information provided at [www.dialight.com](http://www.dialight.com), the latter shall prevail.

# SafeSite® LED GRP Linear

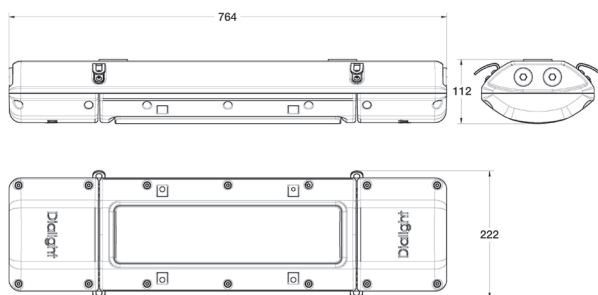
IECEX



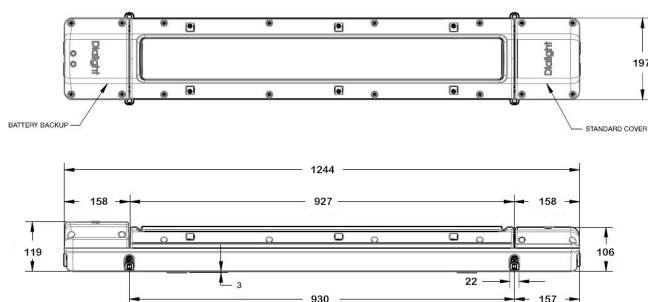
## Certifications & Ratings

- 10 year warranty
- CE
- RCM
- IP66/67
- IECEx Zone 1, 2, 21 & 22    • IECEx Zones 2, 21 & 22
  - Ex II 2 GD
    - Ex eb mb op is IIC T4 Gb
    - Ex tb op is IIIC T130°C Db
    - Certification numbers:
      - Sira 19ATEX4226X
      - IECEx SIR 19.0068X
  - Ex II 3 GD
    - Ex ec IIC T4 Gc
    - Ex tc IIIC T130°C Dc
    - IECEx SIR 19.0069X
  - Ex II 2 D
    - Ex tb op is IIIC T130°C Db
    - IECEx SIR 19.0069X
- DALI 1.0/2.0 as standard
- Up to 2,875 & 5,750 (nominal) lumen outputs

## 764 mm Model



## 1244 mm Model



Dimensions in mm

## Mechanical Information:

### Fixture weights:

Standard models:            764 mm: 7.7 kg  
 1244 mm: 10.9 kg

Emergency models:        764 mm: 8.6 kg  
 1244 mm: 11.8 kg

### Mounting:

(2) M8 fixing points  
 Other mounting options available, see page 5 for details

### Cable entry:

(2) M25 cable entries at both ends, through wired as standard

### Safety Retention:

(4) 316 Stainless steel tabs as standard

## Electrical Specifications:

### Operating voltage:

Standard:                    100-277 VAC, 50/60Hz  
 120-250 VDC

Emergency:                230/240 VAC, 50Hz  
 110/120 VAC, 60Hz (Zone 1 only)

### Operating temperature:

Standard models:        -40°C to +65°C  
 Emergency models:     -20°C to +50°C

### Harmonics & emissions:

IEC 55015 (conducted & radiated)  
 IEC 61000-3-2  
 IEC 61000-3-3  
 IEC 61547

### Transient protection:

IEC 61000-4-5  
 6kV line-to-line & line-to-ground

### Power factor:

> 0.9

## Emergency Models:

**Lumen output in EM mode:** 10-25% of initial light output (depending on selected duration and length of fitting)

**Expected battery life\*:** 4 years

### Battery duration\*:

90 min. (standard)  
 60/180 min. (optional, field-configurable)

## Materials:

### Housing:

Glass-reinforced polyester

### Lens:

- Textured polycarbonate convex lens (standard)  
 - Textured flat glass lens (optional)

## Photometric Information:

### CRI:

80 minimum

### CCT:

5000K (cool white)  
 4000K (neutral white)  
 Green (Shower-Safe/Eye-Wash station model)  
 Amber (Wildlife-Friendly)

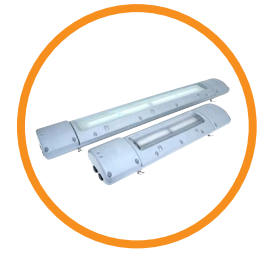
All values typical unless otherwise stated (tolerance +/- 10%)

\* @ 25°C ambient

**WARNING - INSTALLATION & SECONDARY RETENTION.** Use of any Dialight products without proper installation (including secondary retention / netting) and periodic inspections could cause severe injury or death. Dialight recommends that all installations should use secondary retention / netting (appropriate to the installation environment) where applicable. It is the exclusive responsibility of the contractor, installer and/or end-user to: (a) determine the suitability of the product for its intended application; and, (b) ensure that the product is safely installed (with secondary retention / netting where appropriate) and in compliance with all applicable laws and regulations. To the extent permissible under applicable laws, Dialight disclaims all liability for personal injury and/or other damage resulting from any dislodgment or other dislocation of its products.

# Ordering Information

## SafeSite® LED GRP Linear - IECEx



Part Number	Fixture Lumens (Nominal)	Wattage	lm/W	Voltage	CCT	Lens
<b>Zone 1, 2, 21 &amp; 22 Models (Standard)</b>						
P2ABMC23A54WGN	2,875	25	115	100-277 VAC/120-250 VDC	5000K (cool white)	Textured Polycarbonate
P4ABMC26A54WGN	5,750	47	123	100-277 VAC/120-250 VDC	5000K (cool white)	Textured Polycarbonate
P2ABMN23A54WGN	2,785	25	111	100-277 VAC/120-250 VDC	4000K (neutral white)	Textured Polycarbonate
P4ABMN26A54WGN	5,575	47	119	100-277 VAC/120-250 VDC	4000K (neutral white)	Textured Polycarbonate
<b>Zone 1, 2, 21 &amp; 22 Models (Emergency Backup)</b>						
P2ABMCG3A54WGF	2,875	29	99	230/240 VAC	5000K (cool white)	Textured Polycarbonate
P4ABMCG6A54WGF	5,750	51	113	230/240 VAC	5000K (cool white)	Textured Polycarbonate
P2ABMC13A54WGF	2,875	29	99	110/120 VAC	5000K (cool white)	Textured Polycarbonate
P4ABMC16A54WGF	5,750	51	113	110/120 VAC	5000K (cool white)	Textured Polycarbonate
P2ABMNG3A54WGF	2,785	29	96	230/240 VAC	4000K (neutral white)	Textured Polycarbonate
P4ABMNG6A54WGF	5,575	51	109	230/240 VAC	4000K (neutral white)	Textured Polycarbonate
P2ABMN13A54WGF	2,785	29	96	110/120 VAC	4000K (neutral white)	Textured Polycarbonate
P4ABMN16A54WGF	5,575	51	109	110/120 VAC	4000K (neutral white)	Textured Polycarbonate
<b>Zone 2, 21 &amp; 22 Models (Standard)</b>						
P2BBMC23A5NWGN	2,875	25	115	100-277 VAC/120-250 VDC	5000K (cool white)	Textured Polycarbonate
P4BBMC26A5NWGN	5,750	47	123	100-277 VAC/120-250 VDC	5000K (cool white)	Textured Polycarbonate
P2BBMN23A5NWGN	2,785	25	111	100-277 VAC/120-250 VDC	4000K (neutral white)	Textured Polycarbonate
P4BBMN26A5NWGN	5,575	47	119	100-277 VAC/120-250 VDC	4000K (neutral white)	Textured Polycarbonate
<b>Zone 2, 21 &amp; 22 Models (Emergency Backup)</b>						
P2BBMC23A5NWGF	2,875	29	99	230/240 VAC	5000K (cool white)	Textured Polycarbonate
P4BBMC26A5NWGF	5,750	51	113	230/240 VAC	5000K (cool white)	Textured Polycarbonate
P2BBMN23A5NWGF	2,785	29	96	230/240 VAC	4000K (neutral white)	Textured Polycarbonate
P4BBMN26A5NWGF	5,575	51	109	230/240 VAC	4000K (neutral white)	Textured Polycarbonate

All values typical unless otherwise stated (tolerance +/- 10%).

**DISCLAIMER.** All product information provided is, to the best of Dialight's knowledge, accurate as of the date of publication. When ordering, refer to [www.dialight.com](http://www.dialight.com) for current versions of: (a) relevant product documentation (including the relevant product data sheets); (b) Dialight terms and conditions of sale; and, (c) the relevant product warranty. To the extent that any contract is deemed formed between Dialight and the purchaser of Dialight products and/or an end-user, versions of documents available at [www.dialight.com](http://www.dialight.com) as at the date of sale shall be the versions incorporated therein. In the event of any discrepancy between this document or information provided at [www.dialight.com](http://www.dialight.com), the latter shall prevail.

# Ordering Information

## SafeSite® LED GRP Linear - IECEx



Part Number	Fixture Lumens (Nominal)	Wattage	lm/W	Voltage	CCT	Lens
<b>Shower-Safe/Eye-Wash Station Version - Zone 1, 2, 21 &amp; 22 (Emergency Backup)</b>						
P2ABMGG3A54WGF		29		230/240 VAC	Green	Textured Polycarbonate
P4ABMGG6A54WGF		51		230/240 VAC	Green	Textured Polycarbonate
P2ABMG13A54WGF		29		110/120 VAC	Green	Textured Polycarbonate
P4ABMG16A54WGF		51		110/120 VAC	Green	Textured Polycarbonate
<b>Shower-Safe/Eye-Wash Station Version - Zone 2, 21 &amp; 22 (Emergency Backup)</b>						
P2BBMG23A5NWGF		29		230/240 VAC	Green	Textured Polycarbonate
P4BBMG26A5NWGF		51		230/240 VAC	Green	Textured Polycarbonate
<b>Wildlife Friendly - Zone 1, 2, 21 &amp; 22 (Standard)</b>						
P2ABMA23A54WGN		25		100-277 VAC/120-250 VDC	Amber	Textured Polycarbonate
P4ABMA26A54WGN		47		100-277 VAC/120-250 VDC	Amber	Textured Polycarbonate
<b>Wildlife Friendly - Zone 1, 2, 21 &amp; 22 (Emergency Backup)</b>						
P2ABMAG3A54WGF		29		230/240 VAC	Amber	Textured Polycarbonate
P4ABMAG6A54WGF		51		230/240 VAC	Amber	Textured Polycarbonate
P2ABMA13A54WGF		29		110/120 VAC	Amber	Textured Polycarbonate
P4ABMA16A54WGF		51		110/120 VAC	Amber	Textured Polycarbonate
<b>Wildlife Friendly - Zone 2, 21 &amp; 22 (Standard)</b>						
P2BBMA23A5NWGN		25		100-277 VAC/120-250 VDC	Amber	Textured Polycarbonate
P4BBMA26A5NWGN		47		100-277 VAC/120-250 VDC	Amber	Textured Polycarbonate
<b>Wildlife Friendly - Zone 2, 21 &amp; 22 (Emergency Backup)</b>						
P2BBMA23A5NWGF		29		230/240 VAC	Amber	Textured Polycarbonate
P4BBMA26A5NWGF		51		230/240 VAC	Amber	Textured Polycarbonate

All values typical unless otherwise stated (tolerance +/- 10%).

**DISCLAIMER.** All product information provided is, to the best of Dialight's knowledge, accurate as of the date of publication. When ordering, refer to [www.dialight.com](http://www.dialight.com) for current versions of: (a) relevant product documentation (including the relevant product data sheets); (b) Dialight terms and conditions of sale; and, (c) the relevant product warranty. To the extent that any contract is deemed formed between Dialight and the purchaser of Dialight products and/or an end-user, versions of documents available at [www.dialight.com](http://www.dialight.com) as at the date of sale shall be the versions incorporated therein. In the event of any discrepancy between this document or information provided at [www.dialight.com](http://www.dialight.com), the latter shall prevail.

# Accessories



### ELX-CMB-SS

- 316 Marine Grade stainless steel ceiling mount kit



### ELX-PC-SS-42

- 37-44mm Ø 316 Marine Grade stainless steel pole clamp



### ELX-WMB-SS-45

- 45° 316 Marine Grade stainless steel wall mount kit

### ELX-PC-SS-47

- 44-50mm Ø 316 Marine Grade stainless steel pole clamp

### ELX-WMB-SS-60

- 60° 316 Marine Grade stainless steel wall mount kit

### ELX-PC-SS-54

- 50-58mm Ø 316 Marine Grade stainless steel pole clamp



### HBXCAB48

- 1.2m (48") long stainless steel safety rope (for use with safety bracket)

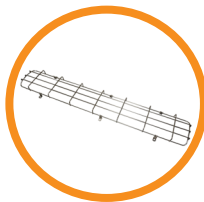
### ELX-PC-SS-59

- 58-68mm Ø 316 Marine Grade stainless steel pole clamp



### ELX-EYE-SS

- 316 Marine Grade stainless steel eyelet kit



### RLX-WG-2

- Wire guard for 764mm model

### RLX-WG-4

- Wire guard for 1244mm model



### RLX-BATT-KIT-2

- 764mm replacement battery kit



### RL-WIRELESS-2\*

- Wireless controls kit for 764mm models (Zone 2 only)

### RLX-BATT-KIT-4

- 1244mm replacement battery kit

### RL-WIRELESS-4\*

- Wireless controls kit for 1244mm models (Zone 2 only)

\*Must be fitted to GRP Linear by authorized Dialight personnel prior to delivery

**DISCLAIMER.** All product information provided is, to the best of Dialight's knowledge, accurate as of the date of publication. When ordering, refer to [www.dialight.com](http://www.dialight.com) for current versions of: (a) relevant product documentation (including the relevant product data sheets); (b) Dialight terms and conditions of sale; and, (c) the relevant product warranty. To the extent that any contract is deemed formed between Dialight and the purchaser of Dialight products and/or an end-user, versions of documents available at [www.dialight.com](http://www.dialight.com) as at the date of sale shall be the versions incorporated therein. In the event of any discrepancy between this document or information provided at [www.dialight.com](http://www.dialight.com), the latter shall prevail.

# SafeSite® LED Linear - UL

## Technical Specifications



### Ratings and Certifications

- UL 1598/A
- UL 844
- IP66/67
- NEMA 4X
- 5 year warranty
- L70 rated for >100,000 hours
- CSA C22.2 No. 137-M81
- CID2 A,B,C,D
- CID1 E,F,G
- CID2 F,G
- CIII

\*All features not available on every model. Please refer to product part number pages for model specifics.

### Mechanical Information

#### Fixture weight:

4' model:	10 lb (4.5 kg)
2' model:	7 lb (3.2 kg)

#### Shipping weight:

4' model:	11 lb (5.0 kg)
2' model:	8 lb (3.6 kg)

#### Mounting:

- (4) 3/4" NPT openings
- Optional swivel bracket - LPXW4
- Optional low profile bracket - LPXW4LP
- Secondary retention option available

### Temperature Ratings

Ambient Temperature Range T4A Temperature Code	Ambient Temperature Range T5 Temperature Code
-40°F to +149°F (-40°C to +65°C)	-40°F to +113°F (-40°C to +45°C)

### Specifications

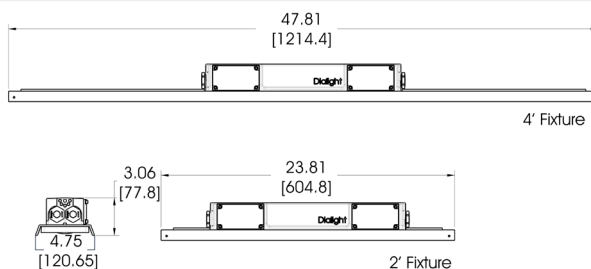
<b>Voltage:</b>	100-277 VAC	<b>Housing:</b>	Copper-free aluminum
<b>Operating temp:</b>	-40°F to +149°F (-40°C to +65°C)	<b>Lens:</b>	Polycarbonate
<b>Power factor:</b>	>0.9	<b>CRI:</b>	75 / 80
<b>THD:</b>	<20%	<b>CCT:</b>	5000K (cool white)
<b>Surge protection:</b>	4kV line-to-line, 4kV line-to-ground		4000K (neutral white)

### Comparison

	Warranty	L70	T-Rating
Dialight LED Linear	5yr	>100,000	T5
Metal Halide	1	6,000	T2
High Pressure Sodium	1	20,000	T2A
Fluorescent	1	24,000	T3

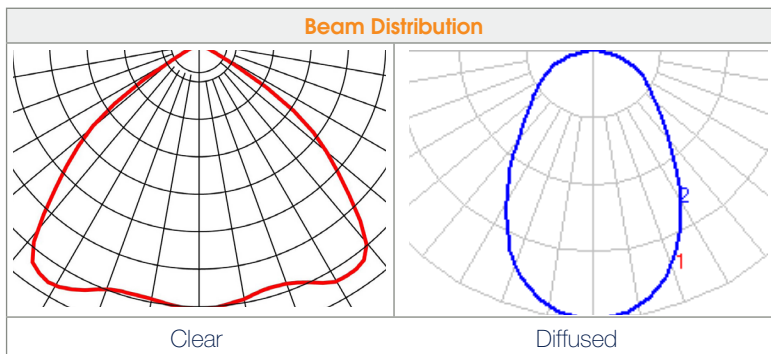
Lumens	Wattage	lm/W	Mounting Heights
7,250	66	110	6m
6,700	66	102	↑ ↓
3,600	33	109	
3,300	33	100	3m

### Dimensions



Dimension in inches [mm]

### Beam Distribution



**WARNING - INSTALLATION & SECONDARY RETENTION.** Use of any Dialight products without proper installation (including secondary retention / netting) and periodic inspections could cause severe injury or death. Dialight recommends that all installations should use secondary retention / netting (appropriate to the installation environment) where applicable. It is the exclusive responsibility of the contractor, installer and/or end-user to: (a) determine the suitability of the product for its intended application; and, (b) ensure that the product is safely installed (with secondary retention / netting where appropriate) and in compliance with all applicable laws and regulations. To the extent permissible under applicable laws, Dialight disclaims all liability for personal injury and/or other damage resulting from any dislodgment or other dislocation of its products.



# SafeSite® LED Linear - UL

## Australia & Asia Order Codes

Current Part Number	Historic Part Number	Fixture Lumens	Wattage	lm/W	Voltage	Colour Temperature (CCT)	Lens	Beam Distribution
<b>LPD3N4B2W</b>	LPD3C4B2W	3,300	33	100	100-277 VAC	4000K (neutral white)	Diffused polycarbonate	Diffused
<b>LPD3N4H2W</b>	LPD3C4H2W	6,700	66	102	100-277 VAC	4000K (neutral white)	Diffused polycarbonate	Diffused

All values typical unless otherwise stated (tolerance +/- 10%).

Part numbers listed in **bold** are typically available in stock.

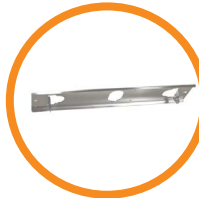
Part numbers listed in the table above are neutral white. For cool white models, replace the 6th character with a **C**.

Historical part number provided for reference only. For performance characteristics of historical product, please contact your local representative.



### LPXW4

- 316 Stainless steel mounting bracket
- Can be angled at 0°, 30°, 45°, 60° & 90°



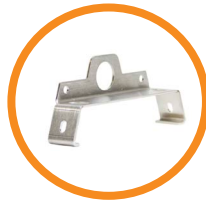
### LPXW4LP

- 316 Stainless steel low profile mounting bracket
- Can be angled at 0° and 15°



### LTXSAFEKIT

- Stainless steel safety cable kit for secondary retention

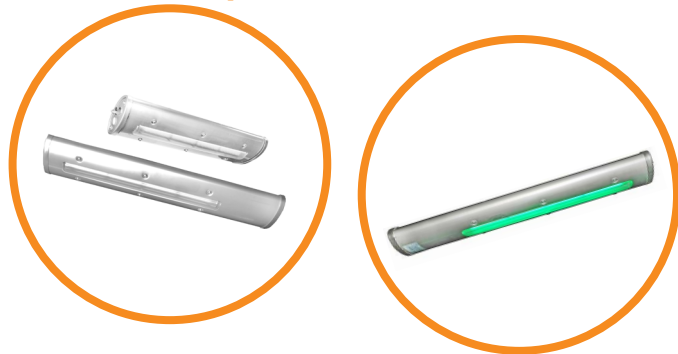


### LTXENDCAPKIT

- 304 Stainless steel chain mount and secondary retention bracket

# SafeSite® LED Stainless Steel Linear - CE

## Technical Specifications



Ratings and Certifications	
•	5 year warranty
•	IECEX / ATEX Zones 1, 21
•	IECEX / ATEX Zones 2, 22
•	IP66 / 67
•	IK09
•	RoHS compliant

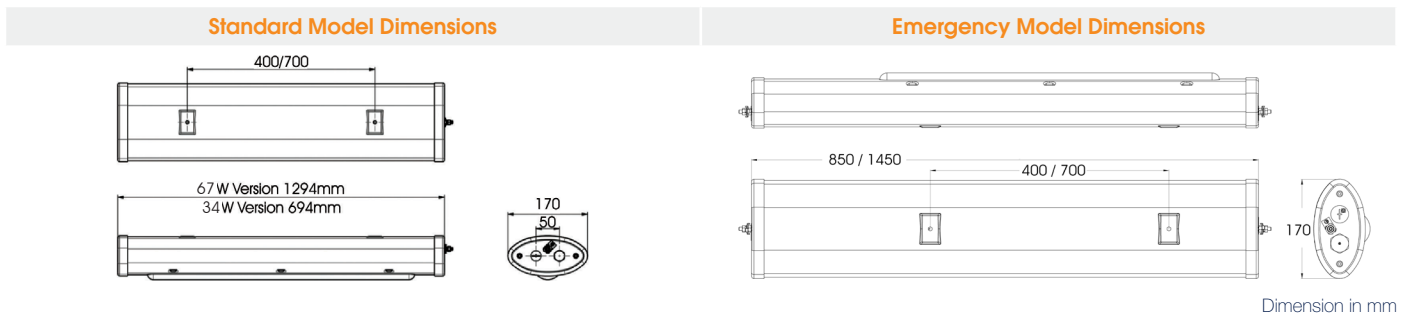
\*All features not available on every model. Please refer to product part number pages for model specifics.

Mechanical Information	
<b>Fixture weight:</b>	<b>Standard:</b> 1308mm - 11.3 kg (25 lb) 708mm - 6.8 kg (15 lb)
	<b>Emergency:</b> 1308mm - 14.1 kg (31 lb) 708mm - 9.1 kg (20 lb)
<b>Shipping weight:</b>	<b>Standard:</b> 1308mm - 14.1 kg (31 lb) 708mm - 9.1 kg (20 lb)
	<b>Emergency:</b> 1308mm - 17.2 kg (38 lb) 708mm - 11.3 kg (25 lb)
<b>Mounting:</b>	(2) M8 fixing points
	Secondary retention not available
<b>Cable Entries:</b>	2 x M25 cable entries at both ends, through wired as standard. Consult factory for other options
<b>Terminals:</b>	0.5-4mm <sup>2</sup> via integrated junction box

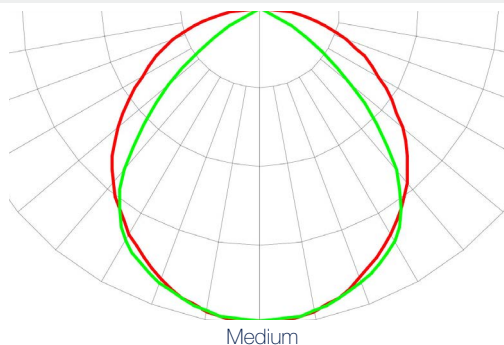
Specifications			
<b>Voltage options:</b>	<b>Standard:</b> 110-250 VAC	<b>Housing:</b>	316 Marine grade stainless steel
	<b>Emergency:</b> 230/240 VAC	<b>Lens:</b>	High impact resistant polycarbonate
<b>Operating temp:</b>	<b>Standard:</b> -20°C to +60°C	<b>CRI:</b>	70
	<b>Emergency:</b> -20°C to +60°C	<b>CCT:</b>	5000K (cool white)
		<b>CCT:</b>	4000K (neutral white) Green
<b>Power factor:</b>	>0.9	<b>Surge protection:</b>	EN 61000-4-5 1kV line to line, 2 kV line to ground
Emergency Models			
<b>Battery:</b>	3.6V 10Ah NiMH	<b>Duration:</b>	@ 25°C ambient - est. >3 hours
<b>Expected battery life:</b>	4 years at lowest rated ambient temperature		

Comparison			
	Warranty	L70	T-Rating
Dialight LED Linear	5yr	>150,000	T5
Fluorescent	1	24,000	T3

Lumens	Wattage	lm/W	Mounting Heights
5,100	64	81	6m
			↕
2,600	32	81	3m



### Beam Distribution



**WARNING - INSTALLATION & SECONDARY RETENTION.** Use of any Dialight products without proper installation (including secondary retention / netting) and periodic inspections could cause severe injury or death. Dialight recommends that all installations should use secondary retention / netting (appropriate to the installation environment) where applicable. It is the exclusive responsibility of the contractor, installer and/or end-user to: (a) determine the suitability of the product for its intended application; and, (b) ensure that the product is safely installed (with secondary retention / netting where appropriate) and in compliance with all applicable laws and regulations. To the extent permissible under applicable laws, Dialight disclaims all liability for personal injury and/or other damage resulting from any dislodgment or other dislocation of its products.

# SafeSite® LED Stainless Steel Linear - CE

## Australia & Asia Order Codes

Current Part Number	Historic Part Number	Fixture Lumens	Wattage	lm/W	Voltage	Colour Temperature (CCT)	Lens	Beam Distribution
<b>Non-Emergency Models</b>								
<b>ELA-1N6M-SSCB4</b>	ELA-1C3M-SSCB	2,450	34	72	110-277 VAC	4000K (neutral white)	Polycarbonate	Medium
<b>ELA-1N6R-SSCB4</b>	ELA-1C3R-SSCB	4,800	67	71	110-277 VAC	4000K (neutral white)	Polycarbonate	Medium
<b>Emergency Models</b>								
<b>ELEA-2N7M-SSCB4</b>	ELEA-2C4M-SSCB	2,450	35	70	230/240 VAC	4000K (neutral white)	Polycarbonate	Medium
<b>ELEA-2N7R-SSCB4</b>	ELEA-2C4R-SSCB	4,800	70	68	230/240 VAC	4000K (neutral white)	Polycarbonate	Medium
<b>Shower Light Models</b>								
<b>ELEA-2G7M-SSCB4</b>	ELEA-2G4M-SSCB		35		230/240 VAC	Green	Polycarbonate	Medium
<b>ELEA-2G7R-SSCB4</b>	ELEA-2G4R-SSCB		70		230/240 VAC	Green	Polycarbonate	Medium

All values typical unless otherwise stated (tolerance +/- 10%).

Part numbers listed in **bold** are typically available in stock.

Part numbers listed in the table above are neutral white. For cool white models, replace the 5th (non-emergency) or 6th (emergency) character with a **C**.

Historical part number provided for reference only. For performance characteristics of historical product, please contact your local representative.



### ELXCMBSS

- 316 Marine grade stainless steel ceiling mount kit



### ELXEYESS

- 316 Marine grade stainless steel eyelet kit



### ELX-BATT-KIT

- Emergency model
- 3.6V 10Ah NIMH battery kit



### ELXPCSS42

- 37 Ø - 44mm range 316 Marine grade stainless steel pole clamp

### ELXPCSS54

- 50 Ø - 58mm range 316 Marine grade stainless steel pole clamp



### ELXWMBSS30

- 30° 316 Marine grade stainless steel wall mount kit

### ELXWMBSS60

- 60° 316 Marine grade stainless steel wall mount kit

### ELXPCSS47

- 44 Ø - 50mm range 316 Marine grade stainless steel pole clamp

### ELXPCSS59

- 58 Ø - 68mm range 316 Marine grade stainless steel pole clamp

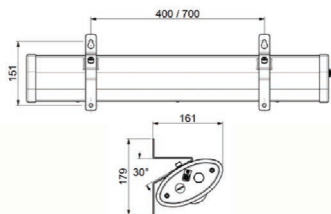
### ELXWMBSS45

- 45° 316 Marine Grade stainless steel wall mount kit

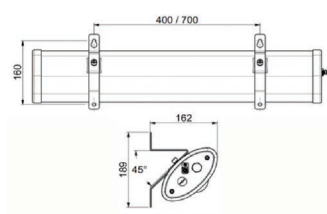
### ELXWMBSS90

- 90° 316 Marine grade stainless steel wall mount kit

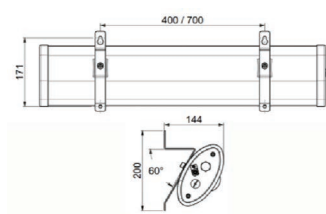
## Mounting Options



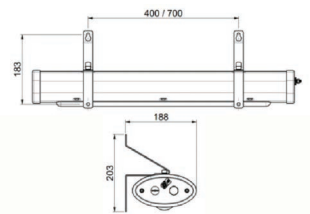
Wall Mount Bracket 30°



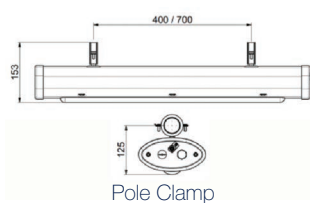
Wall Mount Bracket 45°



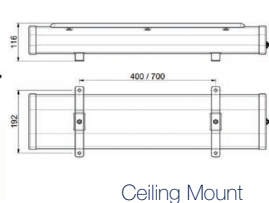
Wall Mount Bracket 60°



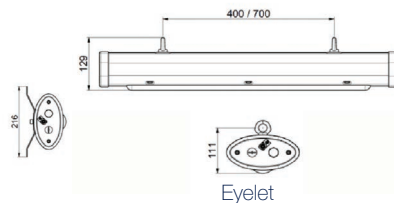
Wall Mount Bracket 90°



Pole Clamp



Ceiling Mount



Eyelet

**DISCLAIMER.** All product information provided is, to the best of Dialight's knowledge, accurate as of the date of publication. When ordering, refer to [www.dialight.com](http://www.dialight.com) for current versions of: (a) relevant product documentation (including the relevant product data sheets); (b) Dialight terms and conditions of sale; and, (c) the relevant product warranty. To the extent that any contract is deemed formed between Dialight and the purchaser of Dialight products and/or an end-user, versions of documents available at [www.dialight.com](http://www.dialight.com) as at the date of sale shall be the versions incorporated therein. In the event of any discrepancy between this document or information provided at [www.dialight.com](http://www.dialight.com), the latter shall prevail.

# StreetSense® LED Street Light - CE/UL

## Technical Specifications



### Ratings and Certifications

- 7 year warranty
- CE / UL 1598

\*All features not available on every model. Please refer to product part number pages for model specifics.

### Mechanical Information

<b>Fixture weight:</b>	1 light engine: 7.3 kg (16 lb) 2 light engines: 11.3 kg (25 lb) 3 light engines: 15.4 kg (34 lb)
<b>Shipping weight:</b>	1 light engine: 9.5 kg (21 lb) 2 light engines: 13.6 kg (30 lb) 3 light engines: 17.7 kg (39 lb)
<b>Mounting:</b>	Accommodates 31.75mm (42.16mm OD) - 50.8mm (60.32mm OD) pipe. Provision for adjustment of +/- 5° at 2.5° increments  Secondary retention standard
<b>Terminals:</b>	3x 2.08mm <sup>2</sup> to 13.3mm <sup>2</sup> with two conductors per pole

### Specifications

<b>Voltage options:</b>	100-277 VAC, 50/60 Hz	<b>Housing:</b>	Copper-free aluminium
<b>Operating temp:</b>	-40°C to +74°C	<b>Lens:</b>	Optically optimized tempered glass
<b>Power factor:</b>	>0.9	<b>CRI:</b>	>70
<b>THD:</b>	<20%	<b>CCT:</b>	5000K (cool white) 4300K (neutral white)
<b>Surge protection:</b>	Open circuit surge protection 6kV standard per ANSI/IEEE C62.41. 2.2002 cat C low or Open circuit surge protection 10kV standard per ANSI/IEEE C62.41. 2.2002 cat C high		

### Comparison

	Warranty	L70
Dialight LED Street Light	7yr	>100,000
Metal Halide	1	15,000
High Pressure Sodium	1	20,000

### Lumens

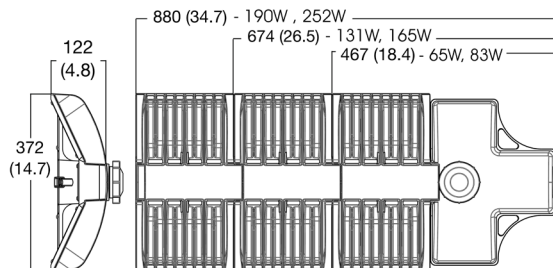
### Wattage

### lm/W

### Mounting Heights

20,250	252	80	17m
16,000	190	84	↑ ↓
10,900	131	83	
6,800	83	82	
5,500	65	85	5m

### Dimensions



Dimension in mm [inches]

**WARNING - INSTALLATION & SECONDARY RETENTION.** Use of any Dialight products without proper installation (including secondary retention / netting) and periodic inspections could cause severe injury or death. Dialight recommends that all installations should use secondary retention / netting (appropriate to the installation environment) where applicable. It is the exclusive responsibility of the contractor, installer and/or end-user to: (a) determine the suitability of the product for its intended application; and, (b) ensure that the product is safely installed (with secondary retention / netting where appropriate) and in compliance with all applicable laws and regulations. To the extent permissible under applicable laws, Dialight disclaims all liability for personal injury and/or other damage resulting from any dislodgment or other dislocation of its products.

# StreetSense® LED Street Light - CE/UL

## Australia & Asia Order Codes

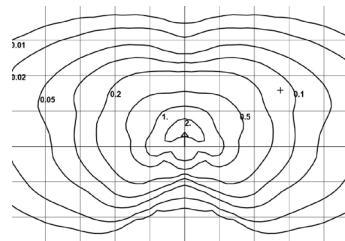
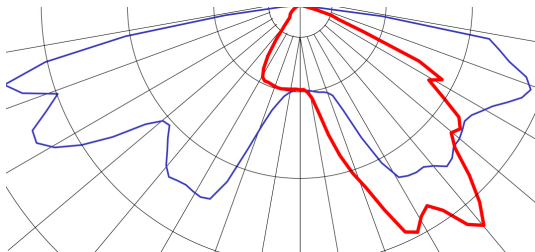
Part Number	Fixture Lumens	Wattage	lm/W	Voltage	Colour Temperature (CCT)	Lens	Light Engines
<b>Standard Models - Type III</b>							
<b>SL3N5CLGGEU</b>	5,500	65	85	100-277 VAC	4300K (neutral white)	Tempered glass	1
SL3N5DLGGEU	6,750	83	81	100-277 VAC	4300K (neutral white)	Tempered glass	1
<b>SL3N5HLGGEU</b>	10,900	131	83	100-277 VAC	4300K (neutral white)	Tempered glass	2
SL3N5ILGGEU	13,250	165	80	100-277 VAC	4300K (neutral white)	Tempered glass	2
<b>SL3N5RLGGEU</b>	16,000	190	84	100-277 VAC	4300K (neutral white)	Tempered glass	3
<b>SL3N5SLGGEU</b>	20,250	252	80	100-277 VAC	4300K (neutral white)	Tempered glass	3

All values typical unless otherwise stated (tolerance +/- 10%).

Part numbers listed in **bold** are typically available in stock.

Part numbers listed in the table above are neutral white. For cool white models, replace the 4th character with a **C**.

### Beam Distribution



Type III

# StreetSense® LED Street Light - IECEx/ATEX

## Technical Specifications



### Ratings and Certifications

- 7 year warranty
- CE
- IECEx / ATEX Zone 2

\*All features not available on every model. Please refer to product part number pages for model specifics.

### Mechanical Information

<b>Fixture weight:</b>	1 light engine: 7.3 kg (16 lb) 2 light engines: 11.3 kg (25 lb) 3 light engines: 15.4 kg (34 lb)
<b>Shipping weight:</b>	1 light engine: 9.5 kg (21 lb) 2 light engines: 13.6 kg (30 lb) 3 light engines: 17.7 kg (39 lb)
<b>Mounting:</b>	Accommodates 31.75mm (42.16mm OD) - 50.8mm (60.32mm OD) pipe. Provision for adjustment of +/- 5° at 2.5° increments  Secondary retention standard
<b>Terminals:</b>	3x 2.08mm <sup>2</sup> to 13.3mm <sup>2</sup> with two conductors per pole

### Specifications

<b>Voltage options:</b>	100-277 VAC, 50/60 Hz	<b>Housing:</b>	Aluminum alloy A360
<b>Operating temp:</b>	-40°C to +74°C	<b>Lens:</b>	Optically optimized tempered glass
<b>Power factor:</b>	>0.9	<b>CRI:</b>	70
<b>THD:</b>	<20%	<b>CCT:</b>	5000K (cool white) 4300K (neutral white)
<b>Surge protection:</b>	Open circuit surge protection 6kV standard per ANSI/IEEE C62.41. 2.2002 cat C low or Open circuit surge protection 10kV standard per ANSI/IEEE C62.41. 2.2002 cat C high		

### Comparison

	Warranty	L70
Dialight LED Street Light	7yr	>100,000
Metal Halide	1	15,000
High Pressure Sodium	1	20,000

### Lumens

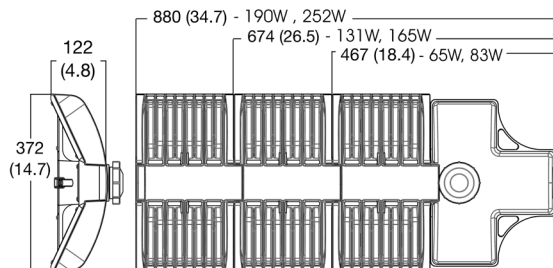
### Wattage

### lm/W

### Mounting Heights

20,250	252	80	17m
10,900	131	83	↑ ↓
5,500	65	85	

### Dimensions



Dimension in mm [inches]

**WARNING - INSTALLATION & SECONDARY RETENTION.** Use of any Dialight products without proper installation (including secondary retention / netting) and periodic inspections could cause severe injury or death. Dialight recommends that all installations should use secondary retention / netting (appropriate to the installation environment) where applicable. It is the exclusive responsibility of the contractor, installer and/or end-user to: (a) determine the suitability of the product for its intended application; and, (b) ensure that the product is safely installed (with secondary retention / netting where appropriate) and in compliance with all applicable laws and regulations. To the extent permissible under applicable laws, Dialight disclaims all liability for personal injury and/or other damage resulting from any dislodgment or other dislocation of its products.

# StreetSense® LED Street Light - IECEx/ATEX

## Australia & Asia Order Codes



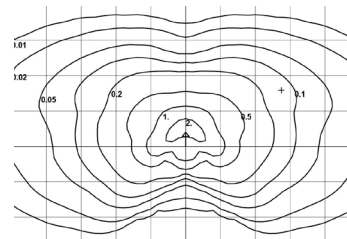
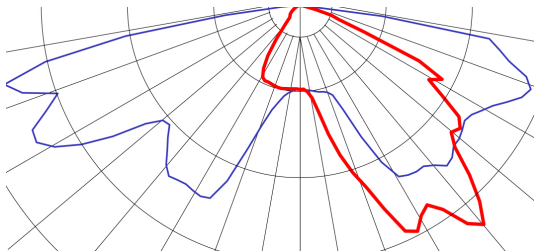
Part Number	Fixture Lumens	Wattage	lm/W	Voltage	Colour Temperature (CCT)	Lens	Light Engines
Standard Models - Type III							
SLA3N4CG	5,500	65	85	100-277 VAC	4300K (neutral white)	Tempered glass	1
SLA3N4HG	10,900	131	83	100-277 VAC	4300K (neutral white)	Tempered glass	2
SLA3N4SG	20,250	252	80	100-277 VAC	4300K (neutral white)	Tempered glass	3

All values typical unless otherwise stated (tolerance +/- 10%).

Part numbers listed in **bold** are typically available in stock.

Part numbers listed in the table above are neutral white. For cool white models, replace the 4th character with a **C**.

### Beam Distribution



Type III

**DISCLAIMER.** All product information provided is, to the best of Dialight's knowledge, accurate as of the date of publication. When ordering, refer to [www.dialight.com](http://www.dialight.com) for current versions of: (a) relevant product documentation (including the relevant product data sheets); (b) Dialight terms and conditions of sale; and, (c) the relevant product warranty. To the extent that any contract is deemed formed between Dialight and the purchaser of Dialight products and/or an end-user, versions of documents available at [www.dialight.com](http://www.dialight.com) as at the date of sale shall be the versions incorporated therein. In the event of any discrepancy between this document or information provided at [www.dialight.com](http://www.dialight.com), the latter shall prevail.

# Obstruction LED Lighting

## ICAO



### Red LED Systems: Medium Intensity ICAO Type B/Type C

#### Features & Benefits

- Integrated controller
- 5 year warranty
- Universal 120-240 VAC input
- Controller can be mounted at the base of the structure
- Wide temperature range: -40°C to +55°C
- Configurable flash rates (20, 30, or 40 flashes per min)
- Ability to operate lights in steady or flashing mode
- Optional infrared light fixtures
- Light weight design
- Low power consumption
- IP66 rated light fixtures
- Impact and vibration resistant
- Provision for padlock on the enclosure
- Dry contacts for alarm monitoring/status
  - Photocell alarm
  - Light alarms
  - Operation mode (day/night)
- Largest Controller can control and monitor maximums of:
  - Twelve (12) Medium Intensity ICAO Type B/Type C and
  - Twenty Four (24) Low Intensity ICAO Type B/Type E
- Verified to meet CASA requirements under Manual of Standards Part 139 - Aerodromes



### Dual (Red/White) LED Systems: Medium Intensity ICAO Type A/Type B

#### Features & Benefits

- Infrared (IR) version available for improved visibility to Night Vision Goggles
- Optional Ethernet/Cellular based remote monitoring/control system available
- Ability to flash side markers
- Integrated controller with LCD back-lit display
- 5 year warranty
- Universal 120-240 VAC input or +/- 48 VDC input
- Controller can be mounted at the base of the structure
- Wide temperature range: -40°C to +55°C
- Light weight design
- Low power consumption
- IP66 rated light fixtures
- Impact and vibration resistant
- Provisions for padlock on the enclosure
- Dry contacts for alarm monitoring/status
  - Photocell alarm
  - White mode alarm
  - Power fail
  - Light alarms
  - Red mode alarm
  - Communication
  - Operation mode (day/night)
  - Sync alarm



### White LED Systems: Medium Intensity ICAO Type A

#### Features & Benefits

- Integrated controller with LCD back-lit display
- Optional Ethernet/Cellular based remote monitoring/control system available
- 5 year warranty
- Universal 120-240 VAC input or 48 VDC input
- Controller can be mounted at the base of the structure
- Wide temperature range: -40°C to +55°C
- Light weight design
- Low power consumption
- IP66 rated light fixtures
- Impact and vibration resistant
- Provisions for padlock on the enclosure
- Dry contacts for alarm monitoring/status
  - Photocell alarm
  - White mode alarm
  - Power fail
  - Light alarms
  - Communication
  - Operation mode (day/night)
  - Sync alarm



### High Intensity LED Systems: ICAO Type A

#### Features & Benefits

- Integrated controller
- 5 year warranty
- Universal 208-277 VAC input
- Controller can be mounted at the base of the structure
- Wide temperature range: -40°C to +55°C
- Low power consumption
- IP66 rated light fixtures
- Impact and vibration resistant
- Provision for padlock on the enclosure
- Dry contacts for alarm monitoring/status
  - Photocell alarm
  - White mode alarm
  - Power fail
  - Red mode alarm
  - Communication
  - Operation mode (day/night)
  - Sync alarm

**DISCLAIMER.** All product information provided is, to the best of Dialight's knowledge, accurate as of the date of publication. When ordering, refer to [www.dialight.com](http://www.dialight.com) for current versions of: (a) relevant product documentation (including the relevant product data sheets); (b) Dialight terms and conditions of sale; and, (c) the relevant product warranty. To the extent that any contract is deemed formed between Dialight and the purchaser of Dialight products and/or an end-user, versions of documents available at [www.dialight.com](http://www.dialight.com) as at the date of sale shall be the versions incorporated therein. In the event of any discrepancy between this document or information provided at [www.dialight.com](http://www.dialight.com), the latter shall prevail.



# Obstruction LED Lighting

## ICAO



### Vigilant LED Based ICAO Type A

#### High Intensity (White / Red) Strobe

<b>Effective Intensity:</b>	White Day – 200,000 cd White Twilight- 20,000 cd White or Red Night- 2,000 cd
<b>Wattage:</b>	White day - 160W White twilight - 30W White Night - 23W Red Night - 30W
<b>Input Voltage:</b>	208-277 VAC



### Vigilant LED Based ICAO Type A/Type B

#### Medium Intensity (White/Red) Strobe - Infrared (IR) available

<b>Effective Intensity:</b>	White Day- 20,000 cd White Night- 2,000 cd Red Night- 2,000 cd
<b>Wattage:</b>	White Day- 36W (system = 75W) White Night- 4W (system = 10W) Red Night- 12W (system = 25W)
<b>Input Voltage:</b>	120-240 VAC or +/- 48 VDC

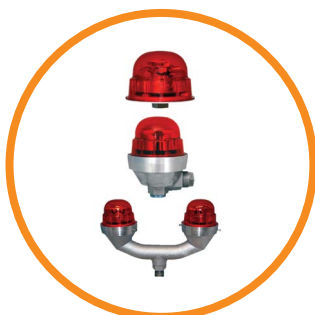


### Vigilant LED Based ICAO Type B/Type C

#### Medium Intensity (Red) Beacon - Infrared (IR) available

Verified to meet CASA requirements under Manual of Standards Part 139 - Aerodromes

<b>Effective Intensity:</b>	2,000 cd
<b>Wattage:</b>	3.3W (16.7% duty circle) - standard 7.0W (16.7% duty circle) - IR model 20 flashes per minute with 0.5 sec. on time
<b>Input Voltage:</b>	120-240 VAC or 24-48 VDC



### Vigilant LED Based ICAO Type B/Type E

#### Low Intensity (Red) RTO Side Light - Infrared (IR) available

<b>Effective Intensity:</b>	32.5 cd
<b>Wattage Range:</b>	1.5-9.0W
<b>Input Voltage:</b>	12-48 VDC, 120-240 VAC, 277 VAC



### Vigilant LED Based ICAO Type B/Type E

#### Low Intensity (Red) Side Light

<b>Effective Intensity:</b>	32.5 cd, 50 cd, 10 cd
<b>Wattage Range:</b>	13-24W
<b>Input Voltage:</b>	12-48 VDC, 120 VAC, 230 VAC

**DISCLAIMER.** All product information provided is, to the best of Dialight's knowledge, accurate as of the date of publication. When ordering, refer to [www.dialight.com](http://www.dialight.com) for current versions of: (a) relevant product documentation (including the relevant product data sheets); (b) Dialight terms and conditions of sale; and, (c) the relevant product warranty. To the extent that any contract is deemed formed between Dialight and the purchaser of Dialight products and/or an end-user, versions of documents available at [www.dialight.com](http://www.dialight.com) as at the date of sale shall be the versions incorporated therein. In the event of any discrepancy between this document or information provided at [www.dialight.com](http://www.dialight.com), the latter shall prevail.





## Australia

108 Howe Street  
Osborne Park, WA 6017  
Tel: +61 (0) 8 9244 7600  
Fax: +61 (0) 8 9244 7601  
info@dialight.com.au

## Southeast Asia

33 Ubi Avenue 3  
#07-72 Vertex (Tower A)  
Singapore 408868  
Tel: +65 6578 7157  
Fax: +65 6578 7150  
enquiry@dialight.com.sg

## Dialight Europe Ltd

Leaf C, Level 36, Tower 42  
25 Old Broad Street  
London, EC2N 1HQ, United Kingdom  
Tel: +44 (0) 203 058 3540  
Customer Service: +44 (0) 163 866 6541  
sales-emea@dialight.com

## Middle East

Level 23 – Boulevard Plaza Tower 2  
Emaar Boulevard, Dubai, U.A.E.  
P.O. Box 124342  
Tel: +971 (4) 409-6962  
Fax: +971 (4) 409-6850

## North American HQ

1501 Route 34 South  
Farmingdale, NJ 07727  
Tel: 732-919-3119  
Fax: 732-751-5778  
info@dialight.com

## Brazil

Alameda Mercurio  
225 – American Park Empresarial NR  
Indaiatuba – SP – 13347– 662  
Tel: +55 (19) 3113 - 4300  
Fax: +55 (19) 3113 - 4300  
brasil@dialight.com

### WARNING / DISCLAIMERS:

**Installation & secondary retention.** The use of this product without proper installation (including secondary retention / netting) and periodic inspections, could cause severe injury or death. Dialight recommends that all installations should use secondary retention / netting (appropriate to the installation environment) as applicable. Dialight products are intended for ultimate purchase, installation and operation by knowledgeable persons trained in the functional assessment, installation, use and maintenance of such products and all customers (including but not limited to end customers) are responsible for assessing the suitability of Dialight products for any given installation requirement. It is the exclusive responsibility of the contractor, installer and/or end-user to: (a) determine the suitability of the product for its intended application; and, (b) ensure that the product is safely installed (with secondary retention / netting as appropriate) and in compliance with all applicable laws and regulations.

**Product specifications & warranties.** All product information provided is, to the best of Dialight's knowledge, accurate as of the date of publication. All values and performance data herein are design or typical values when measured under laboratory conditions. The information herein is subject to change without notice. The products / software detailed herein are subject to applicable warranties and terms and conditions of use/purchase. Unless agreed otherwise in writing by an authorized representative of Dialight, Dialight does not represent that its products are fit for any particular purpose and accepts no liability for the installation and/or unauthorised use of its products. When ordering, refer to [www.dialight.com](http://www.dialight.com) for current versions of: (a) relevant product documentation (including relevant product data sheets); (b) Dialight terms and conditions of sale; and, (c) the relevant product warranties. To the extent that any contract is deemed formed between Dialight and the purchaser of Dialight products and/or an end-user, versions of documents available at [www.dialight.com](http://www.dialight.com) as at the date of sale shall be the versions incorporated therein. In the event of any discrepancy between this document and information provided at [www.dialight.com](http://www.dialight.com), the latter shall prevail.

**Exclusion of liability.** To the extent permissible under the relevant law, Dialight disclaims all liability for personal injury and/or other damage resulting from any dislodgment or other dislocation of its products. Whilst Dialight has used its reasonable endeavours to ensure the completeness and accuracy of information herein, Dialight does not assume any liability for damages resulting from use of this information or for any third-party representations made in relation to Dialight products.