

# DIALIGHT LED LIGHTING CATALOG

*for Industrial and Hazardous Locations - Americas/UL*

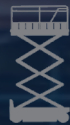
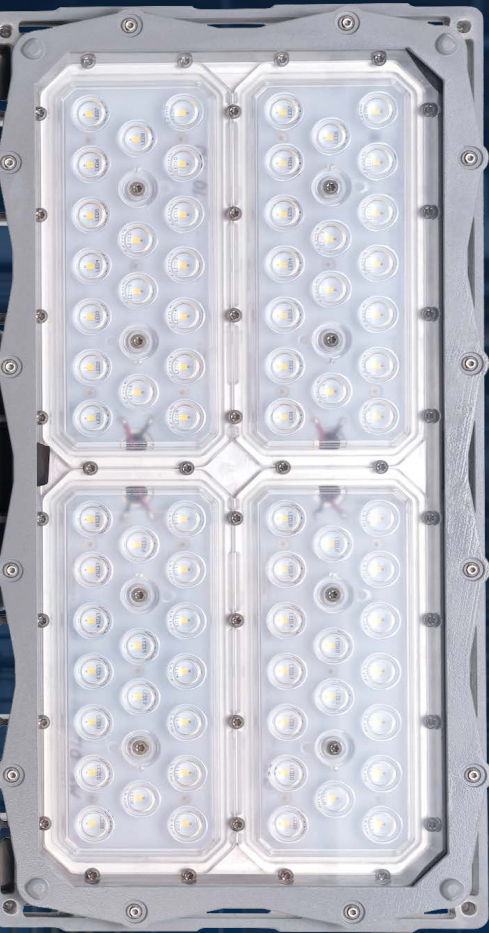
Dialight

APRIL 2022



# WHY LIGHTING MATTERS in Industrial Facilities

Lighting is of critical importance in industrial facilities to maximize both safety and productivity. Industrial sites are notorious for harsh conditions that can contribute to premature fixture failure.



Physical hazards and moving objects



High heat and high vibration



Chemical vapors, dust and debris



Noisy, complex heavy machinery



Power surges



## TECHNOLOGY DIFFERENTIATION

When choosing an LED Lighting partner, consider how their products are engineered, constructed and tested prior to making your decision. Most Dialight products are engineered to a **10 year warranty** and were designed with harsh environments in mind.

### CUSTOM POWER SUPPLIES

Long-life potted drivers with optimized thermal dissipation for protection against environmental contaminants and vibration related failures.

### LOW MAINTENANCE MECHANICAL DESIGN

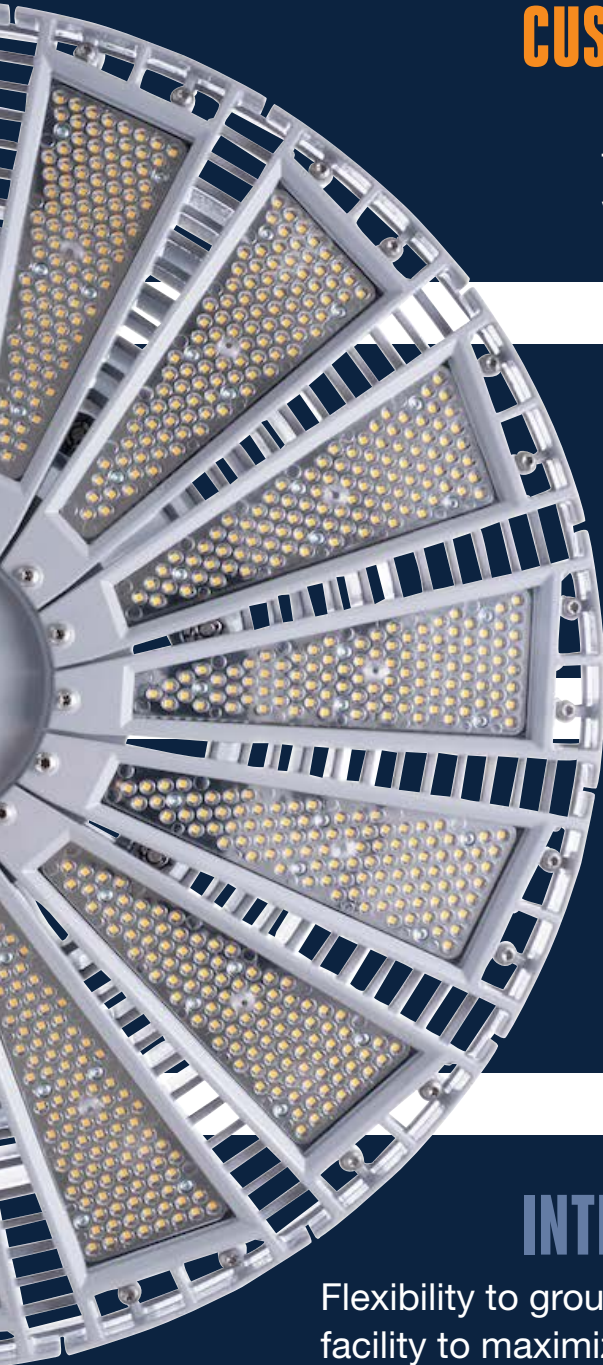
Sealed and optimized to reduce or eliminate the need for maintenance over the life of the fixture. Easy to install and retrofit to existing infrastructure.

### LATEST LEDS AND ADVANCED OPTICS

Highly efficient, crisp, low-glare illumination. Lighting where you need it, not where you don't.

### INTELLIGENT CONTROLS

Flexibility to group, dim and schedule lights around the unique needs of a facility to maximize energy savings. Plus, seamless integration with existing factory automation.





# Hazardous Locations Ratings

Fixed and portable fixtures for installation and use in hazardous (classified) locations Class I, Divisions 1 and 2, Groups A, B, C, and D; Class II, Division 1, Groups E, F, and G; Class II, Division 2, Groups F and G; and Class III, Divisions 1 and 2, in accordance with the National Electrical Code, NFPA 70

## Classes

The classes define the general nature of hazardous material in the surrounding atmosphere.

Class	Hazardous Material in Surrounding Atmosphere
Class I	Hazardous because flammable gases or vapors are present in the air in quantities sufficient to produce explosive or ignitable mixtures
Class II	Hazardous because combustible or conductive dusts are present
Class III	Hazardous because ignitable fibers or flying's are present, but not likely to be in suspension in sufficient quantities to produce ignitable mixtures. Typical wood chips, cotton, flax and nylon. Group classifications are not applied to this class

## Divisions

The division defines the probability of hazardous material being present in an ignitable concentration in the surrounding atmosphere.

Division	Presence of Hazardous Material
Division 1	The substance referred to by class is present during normal conditions
Division 2	The substance referred to by class is present only in abnormal conditions, such as a container failure or system breakdown

## Groups

The group defines the hazardous material in the surrounding atmosphere.

Group	Hazardous Material in Surrounding Atmosphere
Group A	Acetylene
Group B	Hydrogen, fuel and combustible process gases containing more than 30% hydrogen by volume or gases of equivalent hazard such as butadiene, ethylene, oxide, propylene oxide and acrolein
Group C	Carbon monoxide, ether, hydrogen sulfide, morphine, cyclopropane, ethyl and ethylene or gases of equivalent hazard
Group D	Gasoline, acetone, ammonia, benzene, butane, cyclopropane, ethanol, hexane, methanol, methane, vinyl chloride, natural gas, naphtha, propane or gases of equivalent hazard
Group E	Combustible metal dusts, including aluminum, magnesium and their commercial alloys or other combustible dusts whose particle size, abrasiveness and conductivity present similar hazards in connection with electrical equipment
Group F	Carbonaceous dusts, carbon black, coal black, charcoal, coal or coke dusts that have more than 8% total entrapped volatiles or dusts that have been sensitized by other material so they present an explosion hazard
Group G	Flour dust, grain dust, flour, starch, sugar, wood, plastic and chemicals

Reference:  
[http://www.engineeringtoolbox.com/hazardous-areas-classification-d\\_347.html](http://www.engineeringtoolbox.com/hazardous-areas-classification-d_347.html)



# Table of Contents

	<b>ProSite LED Lighting</b>	
	ProSite LED Floodlight	14-23
	<b>Reliant™ LED Lighting</b>	
	Reliant™ LED High Bay	24-27
	<b>Vigilant® LED Lighting</b>	
	Vigilant® Ultra-Efficient LED High Bay & Low Bay	28-33
	Vigilant® LED High Bay & Low Bay	34-47
	Vigilant® LED High Output High Bay - Low Profile	48-51
	Vigilant® LED Area Light	52-61
	Vigilant® LED Linear - Low Profile	62-63
	Vigilant® LED Linear - Top Conduit	64-65
	<b>DuroSite® LED Lighting</b>	
	DuroSite® LED Area Light	66-73
	DuroSite® LED Linear - Low Profile	74-75
	DuroSite® LED Linear - Top Conduit	76-77
	DuroSite® LED Linear - Battery Backup	78-79
	DuroSite® LED RTO Area Light	80-81
	<b>SafeSite® LED Lighting</b>	
	SafeSite® Ultra-Efficient LED High Bay & Low Bay	82-87
	SafeSite® LED High Bay & Low Bay	88-103
	SafeSite® LED Area Light	104-121
	SafeSite® LED Linear - Low Profile	122-125
	SafeSite® LED Linear - Top Conduit	126-129
	SafeSite® LED Linear - Battery Backup	130-131
	SafeSite® LED Linear - Class I, Div. 1	132-133
	SafeSite® LED Linear - Battery Backup - Class I, Div. 1	134-135
	SafeSite® LED RTO Area Light	136-137
	<b>StreetSense® LED Lighting</b>	
	StreetSense® LED Street Light	138-139
	<b>Obstruction LED Lighting</b>	
	FAA Approved Obstruction Lighting Solutions	140-141



## ProSite LED Lighting Fixture for Industrial Applications



### LED Floodlight

Wattage Range:	81-499W
Lumen Output:	12,500-65,000lm
Lumens per Watt:	Up to 165
Input Voltage:	120-277 VAC / 120-250 VDC 347-480 VAC

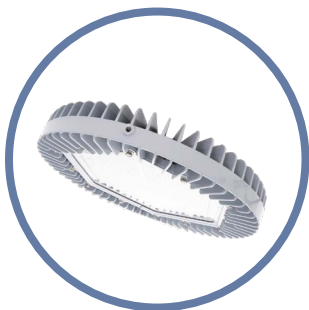
## Reliant™ LED Lighting Fixture for Industrial Applications



### LED High Bay

Wattage Range:	183-487W
Lumen Output:	18,000-72,000lm
Lumens per Watt:	129-160
Input Voltage:	100-277 VAC 347-480 VAC

## Vigilant® LED Lighting Fixtures for Industrial Applications



### LED High Bay

Wattage Range:	80-186W
Lumen Output Range:	11,000-43,000lm
Lumens per Watt:	Up to 200lm/W
Input Voltage:	100-277 VAC 120-250 VDC 347/480 VAC

**DISCLAIMER.** All product information provided is, to the best of Dialight's knowledge, accurate as of the date of publication. When ordering, refer to [www.dialight.com](http://www.dialight.com) for current versions of: (a) relevant product documentation (including the relevant product data sheets); (b) Dialight terms and conditions of sale; and, (c) the relevant product warranty. To the extent that any contract is deemed formed between Dialight and the purchaser of Dialight products and/or an end-user, versions of documents available at [www.dialight.com](http://www.dialight.com) as at the date of sale shall be the versions incorporated therein. In the event of any discrepancy between this document or information provided at [www.dialight.com](http://www.dialight.com), the latter shall prevail.



# Vigilant® LED Lighting Fixtures

## for Industrial Applications



### LED High Bay - Passive Power Supply

Wattage Range:	73-206W
Lumen Output:	9,750-27,000lm
Lumens per Watt:	101-131
Input Voltage:	347 VAC or 480 VAC



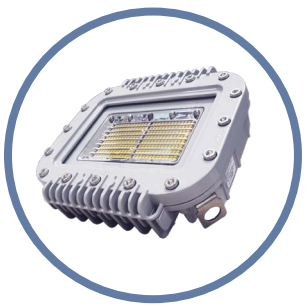
### LED Low Bay

Wattage Range:	42-154W
Lumen Output:	4,000-16,500lm
Lumens per Watt:	Up to 148lm/W
Input Voltage:	100-277 VAC 120-250 VDC 347/480 VAC



### LED High Output High Bay - Low Profile

Wattage Range:	300-506W
Lumen Output:	Up to 72,000lm
Lumens per Watt:	Up to 155 lm/W
Input Voltage:	120-277 VAC, 347/480 VAC



### LED Area Light

Wattage Range:	24W-66W
Lumen Output Range:	2,800-9,000lm
Lumens per Watt:	106-143
Input Voltage:	100-277 VAC, 120-250 VDC

**DISCLAIMER.** All product information provided is, to the best of Dialight's knowledge, accurate as of the date of publication. When ordering, refer to [www.dialight.com](http://www.dialight.com) for current versions of: (a) relevant product documentation (including the relevant product data sheets); (b) Dialight terms and conditions of sale; and, (c) the relevant product warranty. To the extent that any contract is deemed formed between Dialight and the purchaser of Dialight products and/or an end-user, versions of documents available at [www.dialight.com](http://www.dialight.com) as at the date of sale shall be the versions incorporated therein. In the event of any discrepancy between this document or information provided at [www.dialight.com](http://www.dialight.com), the latter shall prevail.



# DuroSite® LED Lighting Fixtures

## for Industrial Applications



### LED Area Light

Wattage Range:	21W-85W
Lumen Output Range:	2,200-7,500lm
Lumens per Watt:	75-111
Input Voltage:	347/480 VAC



### LED Linear - Low Profile

Wattage Range:	29W/60W
Lumen Output Range:	3,300-7,900lm
Lumens per Watt:	112-133
Input Voltage:	100-277 VAC



### LED Linear - Top Conduit

Wattage Range:	29W/60W
Lumen Output Range:	3,300-7,900lm
Lumens per Watt:	112-133
Input Voltage:	100-277 VAC



### LED Linear - Battery Backup

Wattage Range:	85W
Lumen Output Range:	7,000lm
Lumens per Watt:	82
Input Voltage:	120-277 VAC

**DISCLAIMER.** All product information provided is, to the best of Dialight's knowledge, accurate as of the date of publication. When ordering, refer to [www.dialight.com](http://www.dialight.com) for current versions of: (a) relevant product documentation (including the relevant product data sheets); (b) Dialight terms and conditions of sale; and, (c) the relevant product warranty. To the extent that any contract is deemed formed between Dialight and the purchaser of Dialight products and/or an end-user, versions of documents available at [www.dialight.com](http://www.dialight.com) as at the date of sale shall be the versions incorporated therein. In the event of any discrepancy between this document or information provided at [www.dialight.com](http://www.dialight.com), the latter shall prevail.



# DuroSite® LED Lighting Fixtures

## for Industrial Applications

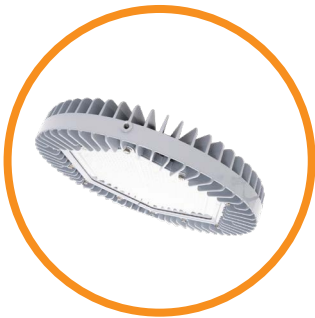


### LED RTO Area Light

Wattage Range:	8W
Lumen Output Range:	470-800lm
Lumens per Watt:	59-100
Input Voltage:	100-277 VAC 24-48 VDC

# SafeSite® LED Lighting Fixtures

## for Hazardous Applications



### LED High Bay

Wattage Range:	80-186W
Lumen Output Range:	11,000-41,300lm
Lumens per Watt:	Up to 200lm/W
Input Voltage:	100-277 VAC, 120-250 VDC 347-480 VAC



### LED High Bay - Passive Power Supply

Wattage Range:	73-206W
Lumen Output:	11,250-27,000lm
Lumens per Watt:	123-154
Input Voltage:	347 VAC or 480 VAC



### LED Low Bay

Wattage Range:	42-154W
Lumen Output:	4,000-16,800lm
Lumens per Watt:	Up to 148lm/W
Input Voltage:	100-277 VAC 120-250 VDC 347/480 VAC

DISCLAIMER. All product information provided is, to the best of Dialight's knowledge, accurate as of the date of publication. When ordering, refer to [www.dialight.com](http://www.dialight.com) for current versions of: (a) relevant product documentation (including the relevant product data sheets); (b) Dialight terms and conditions of sale; and, (c) the relevant product warranty. To the extent that any contract is deemed formed between Dialight and the purchaser of Dialight products and/or an end-user, versions of documents available at [www.dialight.com](http://www.dialight.com) as at the date of sale shall be the versions incorporated therein. In the event of any discrepancy between this document or information provided at [www.dialight.com](http://www.dialight.com), the latter shall prevail.

# SafeSite® LED Lighting Fixtures

## for Hazardous Applications



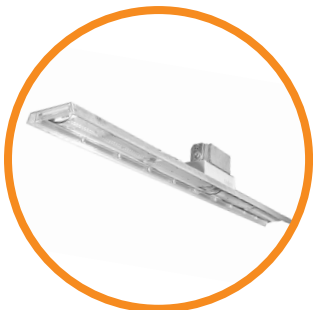
### LED Area Light

Wattage Range:	21-85W
Lumen Output Range:	2,200-9,000lm
Lumens per Watt:	75-145
Input Voltage:	100-277 VAC, 120-250 VDC 120-277 VAC - Battery backup 347-480 VAC 24-48 VDC



### LED Linear - Low Profile

Wattage Range:	29W/60W
Lumen Output Range:	3,300-7,900lm
Lumens per Watt:	112-133
Input Voltage:	100-277 VAC



### LED Linear - Top Conduit

Wattage Range:	29W/60W
Lumen Output Range:	3,300-7,900lm
Lumens per Watt:	112-133
Input Voltage:	100-277 VAC

**DISCLAIMER.** All product information provided is, to the best of Dialight's knowledge, accurate as of the date of publication. When ordering, refer to [www.dialight.com](http://www.dialight.com) for current versions of: (a) relevant product documentation (including the relevant product data sheets); (b) Dialight terms and conditions of sale; and, (c) the relevant product warranty. To the extent that any contract is deemed formed between Dialight and the purchaser of Dialight products and/or an end-user, versions of documents available at [www.dialight.com](http://www.dialight.com) as at the date of sale shall be the versions incorporated therein. In the event of any discrepancy between this document or information provided at [www.dialight.com](http://www.dialight.com), the latter shall prevail.



# SafeSite® LED Lighting Fixtures

## for Hazardous Applications



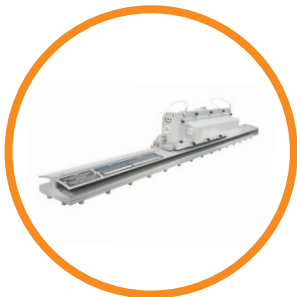
### LED Linear - Battery Backup

Wattage Range:	85W
Lumen Output Range:	7,000lm
Lumens per Watt:	82
Input Voltage:	120-277 VAC



### LED Linear - Class I, Div. 1

Wattage Range:	34-100W
Lumen Output Range:	3,600-7,250lm
Lumens per Watt:	72-106
Input Voltage:	100-277 VAC 347-480 VAC



### LED Linear - Battery Backup

Wattage Range:	85W
Lumen Output Range:	7,250lm
Lumens per Watt:	85
Input Voltage:	120-277 VAC



### LED RTO Area Light

Wattage Range:	8W
Lumen Output Range:	470-800lm
Lumens per Watt:	59-100
Input Voltage:	100-277 VAC 24-48 VDC

**DISCLAIMER.** All product information provided is, to the best of Dialight's knowledge, accurate as of the date of publication. When ordering, refer to [www.dialight.com](http://www.dialight.com) for current versions of: (a) relevant product documentation (including the relevant product data sheets); (b) Dialight terms and conditions of sale; and, (c) the relevant product warranty. To the extent that any contract is deemed formed between Dialight and the purchaser of Dialight products and/or an end-user, versions of documents available at [www.dialight.com](http://www.dialight.com) as at the date of sale shall be the versions incorporated therein. In the event of any discrepancy between this document or information provided at [www.dialight.com](http://www.dialight.com), the latter shall prevail.

# StreetSense® LED Lighting Fixtures for Infrastructure Solutions



## LED Street Light

Wattage Range:	62-228W
Lumen Output Range:	6,400-23,400lm
Lumens per Watt:	96-110
Input Voltage:	100-277 VAC 347-480 VAC

# Obstruction LED Lighting Solutions

## FAA Approved Obstruction Lighting Solutions



## Vigilant LED Based L-856 / L-864 High Intensity (White/Red) Strobe

Effective Intensity:	White Day - 270,000 cd White Twilight - 20,000 cd White Night - 2,000 cd Red Night - 2,000 cd
Wattage:	White Day - 160W White Twilight - 30W White Night - 23W Red Night - 30W
Input Voltage:	208-277 VAC



## Vigilant LED Based L-865 / L-864 (+IR) Medium Intensity (White/Red) Strobe - Infrared (IR) available

Effective Intensity:	White Day - 20,000 cd White Night - 2,000 cd Red Night - 2,000 cd
Wattage:	White Day - 36W (system = 75W) White Night - 4W (system = 10W) Red Night - 12W (system = 25W)
Input Voltage:	120-240 VAC or +/- 48 VDC

**DISCLAIMER.** All product information provided is, to the best of Dialight's knowledge, accurate as of the date of publication. When ordering, refer to [www.dialight.com](http://www.dialight.com) for current versions of: (a) relevant product documentation (including the relevant product data sheets); (b) Dialight terms and conditions of sale; and, (c) the relevant product warranty. To the extent that any contract is deemed formed between Dialight and the purchaser of Dialight products and/or an end-user, versions of documents available at [www.dialight.com](http://www.dialight.com) as at the date of sale shall be the versions incorporated therein. In the event of any discrepancy between this document or information provided at [www.dialight.com](http://www.dialight.com), the latter shall prevail.



# Obstruction LED Lighting Solutions

## FAA Approved Obstruction Lighting Solutions



### Vigilant LED Based L-864 (+IR) Medium Intensity (Red) Beacon - Infrared (IR) available

**Effective Intensity:** 2,000 cd  
**Wattage:** 3.3W (16.7% duty cycle) - Standard Model  
7.0W (16.7% duty cycle) - IR model  
20 flashes per minute with 0.5 sec. on time  
**Input Voltage:** 120-240 VAC or 24-48 VDC



### Vigilant LED Based L-810 (+IR) Low Intensity (Red) RTO Side Light - Infrared (IR) available

**Effective Intensity:** 32.5 cd  
**Wattage Range:** 9.0-1.5W  
**Input Voltage:** 12-48 VDC / 120-240 VAC / 277 VAC



### Vigilant LED Based L-810 (+IR) Low Intensity (Red) RTO Side Light - Infrared (IR) available

**Effective Intensity:** 32.5 cd  
**Wattage Range:** 24-13W  
**Input Voltage:** 12-48 VDC / 120 VAC / 230 VAC

DISCLAIMER. All product information provided is, to the best of Dialight's knowledge, accurate as of the date of publication. When ordering, refer to [www.dialight.com](http://www.dialight.com) for current versions of: (a) relevant product documentation (including the relevant product data sheets); (b) Dialight terms and conditions of sale; and, (c) the relevant product warranty. To the extent that any contract is deemed formed between Dialight and the purchaser of Dialight products and/or an end-user, versions of documents available at [www.dialight.com](http://www.dialight.com) as at the date of sale shall be the versions incorporated therein. In the event of any discrepancy between this document or information provided at [www.dialight.com](http://www.dialight.com), the latter shall prevail.

# ProSite LED Floodlight - UL / CSA

## F1 Models

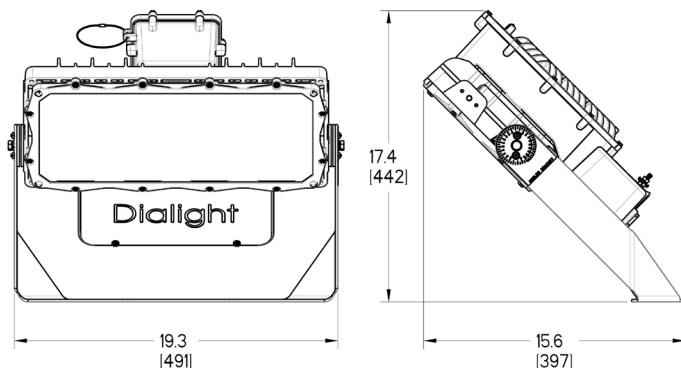


Patent Pending

### Certifications & Ratings

- 10 year warranty
- UL 1598/A / CSA C22.2 No. 250.0 / NOM
- UL 844 / CSA C22.2 No. 137
  - Class I, Division 2 (Groups A, B, C, D)
  - Class I, Zone 2 (Groups IIC)
  - Class II, Division 1 (Groups E, F, G) - up to 18k lumen models
  - Class II, Division 2 (Groups F, G)
  - Zone 20, 21 & 22
  - Class III
- IP66/67, NEMA 4X
- ABS
- IK10 (integrated PC optic/lens/lens cover), IK08 (glass lens cover)
- L70 > 150,000 hours @ 25°C ambient
- DLC/DLC Premium - selected models

### Angled Bracket



Dimensions in inches [mm]

### Mechanical Information:

- Fixture weight:** 24 - 30 lbs
- Shipping weight:** ~32 lbs
- EPA (sq. ft):** 2.00
- Mounting:** 316 stainless steel straight bracket  
(all with 7.5° tilting increments) 316 stainless steel angled bracket  
Slipfitter bracket
- Cable entry:** 2 x 3/4" NPT

### Electrical Specifications:

- Operating voltage:** 120-277VAC / 120-250VDC  
347-480 VAC
- Operating temp:** -40°F to +149°F (-40°C to +65°C)
- EMC:** CISPR 15  
FCC 47CFR 15  
IEC 61000-3-3  
IEC 61547  
IEC 61000-3-2
- Transient protection:** 6KV/3KA combination wave, as per IEEE  
C62.41, line-line and line-ground.  
Optional: 10kV/5kA for non-hazardous models
- THD:** < 20%
- Power Factor:** > 0.9
- Dimming:** Wireless dimming controls  
via Dialight IntelliLED (optional),  
DALI 2.0 compatible/ 0-10 VDC (standard)

### Construction:

- Housing:** A360 Die-cast aluminum
- Hardware:** 316 stainless steel
- Finish:** Superior epoxy and polyester  
dual coat finish
- Lens:** Integrated PC Optic/Lens,  
Glass Lens Cover, PC Lens Cover

### Photometric Information:

- CRI:** 70 (80 optional)
- CCT:** 5000K (cool white)  
4000K (neutral white)  
2700K (warm white) - 80 CRI
- Beam pattern:** NEMA 4  
NEMA 6  
NEMA 7x6  
Asymmetric
- IES files:** Available at [www.dialight.com](http://www.dialight.com)

All values typical unless otherwise stated (tolerance +/- 10%)

### Temperature Ratings

Ambient Temperature T-Code: T4	Ambient Temperature T-Code: T4A
-40°F to +149°F (-40°C to +65°C)	-40°F to +131°F (-40°C to +55°C)

**WARNING - INSTALLATION & SECONDARY RETENTION.** Use of any Dialight products without proper installation (including secondary retention / netting) and periodic inspections could cause severe injury or death. Dialight recommends that all installations should use secondary retention / netting (appropriate to the installation environment) where applicable. It is the exclusive responsibility of the contractor, installer and/or end-user to: (a) determine the suitability of the product for its intended application; and, (b) ensure that the product is safely installed (with secondary retention / netting where appropriate) and in compliance with all applicable laws and regulations. To the extent permissible under applicable laws, Dialight disclaims all liability for personal injury and/or other damage resulting from any dislodgment or other dislocation of its products.



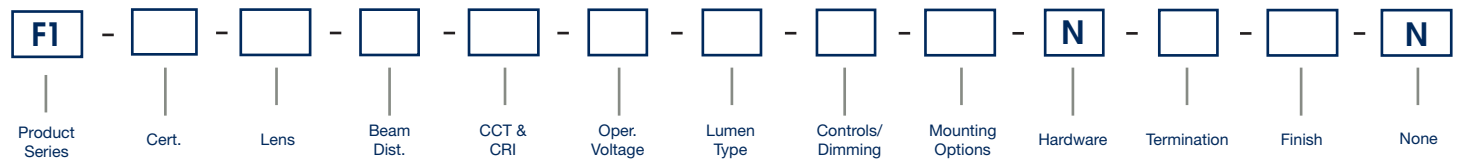
# ProSite LED Floodlight - UL / CSA

## F1 Models



Project Information		Specifications	
Part Number:			
Project:			
Fixture Type:		Date:	

### Ordering Information



Product Series
<b>F1</b> ProSite Floodlight F1 Model

Certification
<b>D</b> UL 844 CID2, CID2, CIII
<b>F</b> UL 844 CIID1, CID2, CIID2, CIII (up to 18k lm models)
<b>U</b> UL 1598/A / CSA

Lens
<b>N</b> Integrated PC Optic/Lens Only
<b>4</b> PC Lens Cover
<b>7</b> Glass Lens Cover

Beam Distribution
<b>4</b> NEMA 4
<b>6</b> NEMA 6
<b>7</b> NEMA 7x6
<b>F</b> Asymmetric*

\*For Asymmetric beam distribution either a PC or Glass lens cover must be included

CCT & CRI
<b>B</b> Cool White 5000K - 70 CRI
<b>L</b> Neutral White 4000K - 70 CRI
<b>W</b> Warm White 2700K - 80 CRI

\*Amber options available

Operating Voltage
<b>2</b> 120-277VAC / 120-250VDC
<b>5</b> 347-480 VAC
<b>8</b> 120-277VAC / 120-250VDC 10kV surge (non-hazardous only)
<b>9</b> 347-480 VAC 10kV surge (non-hazardous only)

Lumen Type
<b>B</b> 12,000 Lumens
<b>C</b> 18,000 Lumens
<b>E</b> 24,000 Lumens
<b>F</b> 30,000 Lumens

Controls/Dimming
<b>D</b> 0-10V / DALI
<b>J</b> Dialight IntelliLED Wireless Controls 2.4GHz
<b>S</b> Receptacle with Shorting Cap (non-hazardous only)

Mounting Options
<b>E</b> 316 SS Angled Bracket
<b>F</b> 316 SS Straight Bracket
<b>S</b> Slipfitter (1-1/4" - 2-3/8" OD)*

\*For Slipfitter mounting UL844 models are only rated up to CID2 (A, B, C & D)

Hardware
<b>N</b> No Option

Termination
<b>U</b> 6mm <sup>2</sup> Terminal Block - Screw Down*
<b>V</b> 4mm <sup>2</sup> Terminal Block - Push Down

\*The 6mm<sup>2</sup> terminals are only for the incoming power connections. The 6mm<sup>2</sup> terminals are single pole and cannot be used for 'through' wiring. The 6mm<sup>2</sup> terminals are not available for 347-480V models.

Finish
<b>G</b> Gray (RAL 7040)
<b>Z</b> Bronze (RAL 7022)

None
<b>N</b> No Options

**DISCLAIMER.** All product information provided is, to the best of Dialight's knowledge, accurate as of the date of publication. When ordering, refer to [www.dialight.com](http://www.dialight.com) for current versions of: (a) relevant product documentation (including the relevant product data sheets); (b) Dialight terms and conditions of sale; and, (c) the relevant product warranty. To the extent that any contract is deemed formed between Dialight and the purchaser of Dialight products and/or an end-user, versions of documents available at [www.dialight.com](http://www.dialight.com) as at the date of sale shall be the versions incorporated therein. In the event of any discrepancy between this document or information provided at [www.dialight.com](http://www.dialight.com), the latter shall prevail.

# Ordering Information

## ProSite LED Floodlight - UL / CSA



Industrial - UL 1598 / CSA							
Part Number	Fixture Lumens	Wattage	lm/W	Voltage	CCT	Lens	Beam Distribution
<b>12,000lm Models</b>							
F1U-N7B2-BDEN-VGN	13,200	81	163	120-277VAC / 120-250VDC	5000k (cool white)	Integrated PC	NEMA 7x6
<b>F1U-N6B2-BDEN-VGN</b>	13,200	81	163	120-277VAC / 120-250VDC	5000k (cool white)	Integrated PC	NEMA 6
F1U-N4B2-BDEN-VGN	13,200	81	163	120-277VAC / 120-250VDC	5000k (cool white)	Integrated PC	NEMA 4
F1U-N7B5-BDEN-VGN	13,200	84	158	347-480VAC	5000k (cool white)	Integrated PC	NEMA 7x6
F1U-N6B5-BDEN-VGN	13,200	84	158	347-480VAC	5000k (cool white)	Integrated PC	NEMA 6
F1U-N4B5-BDEN-VGN	13,200	84	158	347-480VAC	5000k (cool white)	Integrated PC	NEMA 4
<b>18,000lm Models</b>							
F1U-N7B2-CDEN-VGN	19,100	124	154	120-277VAC / 120-250VDC	5000k (cool white)	Integrated PC	NEMA 7x6
<b>F1U-N6B2-CDEN-VGN</b>	19,100	124	154	120-277VAC / 120-250VDC	5000k (cool white)	Integrated PC	NEMA 6
F1U-N4B2-CDEN-VGN	19,100	124	154	120-277VAC / 120-250VDC	5000k (cool white)	Integrated PC	NEMA 4
F1U-N7B5-CDEN-VGN	19,100	128	149	347-480VAC	5000k (cool white)	Integrated PC	NEMA 7x6
<b>F1U-N6B5-CDEN-VGN</b>	19,100	128	149	347-480VAC	5000k (cool white)	Integrated PC	NEMA 6
F1U-N4B5-CDEN-VGN	19,100	128	149	347-480VAC	5000k (cool white)	Integrated PC	NEMA 4
<b>24,000lm Models</b>							
F1U-N7B2-EDEN-VGN	25,000	175	143	120-277VAC / 120-250VDC	5000k (cool white)	Integrated PC	NEMA 7x6
<b>F1U-N6B2-EDEN-VGN</b>	25,000	175	143	120-277VAC / 120-250VDC	5000k (cool white)	Integrated PC	NEMA 6
F1U-N4B2-EDEN-VGN	25,000	175	143	120-277VAC / 120-250VDC	5000k (cool white)	Integrated PC	NEMA 4
F1U-N7B5-EDEN-VGN	25,000	179	140	347-480VAC	5000k (cool white)	Integrated PC	NEMA 7x6
<b>F1U-N6B5-EDEN-VGN</b>	25,000	179	140	347-480VAC	5000k (cool white)	Integrated PC	NEMA 6
F1U-N4B5-EDEN-VGN	25,000	179	140	347-480VAC	5000k (cool white)	Integrated PC	NEMA 4
<b>30,000lm Models</b>							
F1U-N7B2-FDEN-VGN	31,600	234	135	120-277VAC / 120-250VDC	5000k (cool white)	Integrated PC	NEMA 7x6
F1U-N6B2-FDEN-VGN	31,600	234	135	120-277VAC / 120-250VDC	5000k (cool white)	Integrated PC	NEMA 6
F1U-N4B2-FDEN-VGN	31,600	234	135	120-277VAC / 120-250VDC	5000k (cool white)	Integrated PC	NEMA 4
F1U-N7B5-FDEN-VGN	31,600	237	133	347-480VAC	5000k (cool white)	Integrated PC	NEMA 7x6
F1U-N6B5-FDEN-VGN	31,600	237	133	347-480VAC	5000k (cool white)	Integrated PC	NEMA 6
F1U-N4B5-FDEN-VGN	31,600	237	133	347-480VAC	5000k (cool white)	Integrated PC	NEMA 4

All values typical unless otherwise stated (tolerance +/- 10%).  
 See ordering information chart for additional options.  
 Part numbers listed in **bold** are typically available in stock.  
 Mounting Bracket - Angled Bracket supplied as standard.

**WARNING - INSTALLATION & SECONDARY RETENTION.** Use of any Dialight products without proper installation (including secondary retention / netting) and periodic inspections could cause severe injury or death. Dialight recommends that all installations should use secondary retention / netting (appropriate to the installation environment) where applicable. It is the exclusive responsibility of the contractor, installer and/or end-user to: (a) determine the suitability of the product for its intended application; and, (b) ensure that the product is safely installed (with secondary retention / netting where appropriate) and in compliance with all applicable laws and regulations. To the extent permissible under applicable laws, Dialight disclaims all liability for personal injury and/or other damage resulting from any dislodgment or other dislocation of its products.



# Ordering Information

## ProSite LED Floodlight - UL / CSA

Hazardous - UL844 CID2, CIID2, CIII							
Part Number	Fixture Lumens	Wattage	lm/W	Voltage	CCT	Lens	Beam Distribution
<b>12,000lm Models</b>							
F1D-77B2-BDEN-VGN	12,500	81	154	120-277VAC / 120-250VDC	5000k (cool white)	Glass	NEMA 7x6
<b>F1D-76B2-BDEN-VGN</b>	12,500	81	154	120-277VAC / 120-250VDC	5000k (cool white)	Glass	NEMA 6
F1D-74B2-BDEN-VGN	12,500	81	154	120-277VAC / 120-250VDC	5000k (cool white)	Glass	NEMA 4
F1D-77B5-BDEN-VGN	12,500	84	150	347-480VAC	5000k (cool white)	Glass	NEMA 7x6
F1D-76B5-BDEN-VGN	12,500	84	150	347-480VAC	5000k (cool white)	Glass	NEMA 6
F1D-74B5-BDEN-VGN	12,500	84	150	347-480VAC	5000k (cool white)	Glass	NEMA 4
<b>18,000lm Models</b>							
F1D-77B2-CDEN-VGN	18,000	124	145	120-277VAC / 120-250VDC	5000k (cool white)	Glass	NEMA 7x6
F1D-76B2-CDEN-VGN	18,000	124	145	120-277VAC / 120-250VDC	5000k (cool white)	Glass	NEMA 6
F1D-74B2-CDEN-VGN	18,000	124	145	120-277VAC / 120-250VDC	5000k (cool white)	Glass	NEMA 4
F1D-77B5-CDEN-VGN	18,000	128	141	347-480VAC	5000k (cool white)	Glass	NEMA 7x6
<b>F1D-76B5-CDEN-VGN</b>	18,000	128	141	347-480VAC	5000k (cool white)	Glass	NEMA 6
F1D-74B5-CDEN-VGN	18,000	128	141	347-480VAC	5000k (cool white)	Glass	NEMA 4
<b>24,000lm Models</b>							
F1D-77B2-EDEN-VGN	23,600	175	135	120-277VAC / 120-250VDC	5000k (cool white)	Glass	NEMA 7x6
F1D-76B2-EDEN-VGN	23,600	175	135	120-277VAC / 120-250VDC	5000k (cool white)	Glass	NEMA 6
F1D-74B2-EDEN-VGN	23,600	175	135	120-277VAC / 120-250VDC	5000k (cool white)	Glass	NEMA 4
F1D-77B5-EDEN-VGN	23,600	179	132	347-480VAC	5000k (cool white)	Glass	NEMA 7x6
<b>F1D-76B5-EDEN-VGN</b>	23,600	179	132	347-480VAC	5000k (cool white)	Glass	NEMA 6
F1D-74B5-EDEN-VGN	23,600	179	132	347-480VAC	5000k (cool white)	Glass	NEMA 4
<b>30,000lm Models</b>							
F1D-77B2-FDEN-VGN	29,900	234	128	120-277VAC / 120-250VDC	5000k (cool white)	Glass	NEMA 7x6
F1D-76B2-FDEN-VGN	29,900	234	128	120-277VAC / 120-250VDC	5000k (cool white)	Glass	NEMA 6
F1D-74B2-FDEN-VGN	29,900	234	128	120-277VAC / 120-250VDC	5000k (cool white)	Glass	NEMA 4
F1D-77B5-FDEN-VGN	29,900	237	126	347-480VAC	5000k (cool white)	Glass	NEMA 7x6
F1D-76B5-FDEN-VGN	29,900	237	126	347-480VAC	5000k (cool white)	Glass	NEMA 6
F1D-74B5-FDEN-VGN	29,900	237	126	347-480VAC	5000k (cool white)	Glass	NEMA 4
<b>Hazardous - UL844 CIID1</b>							
<b>12,000lm Models</b>							
F1F-77B2-BDEN-VGN	12,500	81	154	120-277VAC / 120-250VDC	5000k (cool white)	Glass	NEMA 7x6
F1F-76B2-BDEN-VGN	12,500	81	154	120-277VAC / 120-250VDC	5000k (cool white)	Glass	NEMA 6
F1F-74B2-BDEN-VGN	12,500	81	154	120-277VAC / 120-250VDC	5000k (cool white)	Glass	NEMA 4
F1F-77B5-BDEN-VGN	12,500	84	150	347-480VAC	5000k (cool white)	Glass	NEMA 7x6
F1F-76B5-BDEN-VGN	12,500	84	150	347-480VAC	5000k (cool white)	Glass	NEMA 6
F1F-74B5-BDEN-VGN	12,500	84	150	347-480VAC	5000k (cool white)	Glass	NEMA 4
<b>18,000lm Models</b>							
F1F-77B2-CDEN-VGN	18,000	124	145	120-277VAC / 120-250VDC	5000k (cool white)	Glass	NEMA 7x6
F1F-76B2-CDEN-VGN	18,000	124	145	120-277VAC / 120-250VDC	5000k (cool white)	Glass	NEMA 6
F1F-74B2-CDEN-VGN	18,000	124	145	120-277VAC / 120-250VDC	5000k (cool white)	Glass	NEMA 4
F1F-77B5-CDEN-VGN	18,000	128	141	347-480VAC	5000k (cool white)	Glass	NEMA 7x6
F1F-76B5-CDEN-VGN	18,000	128	141	347-480VAC	5000k (cool white)	Glass	NEMA 6
F1F-74B5-CDEN-VGN	18,000	128	141	347-480VAC	5000k (cool white)	Glass	NEMA 4

All values typical unless otherwise stated (tolerance +/- 10%).  
See previous page notes and warranty information.



# ProSite LED Floodlight - UL / CSA

## F2 Models

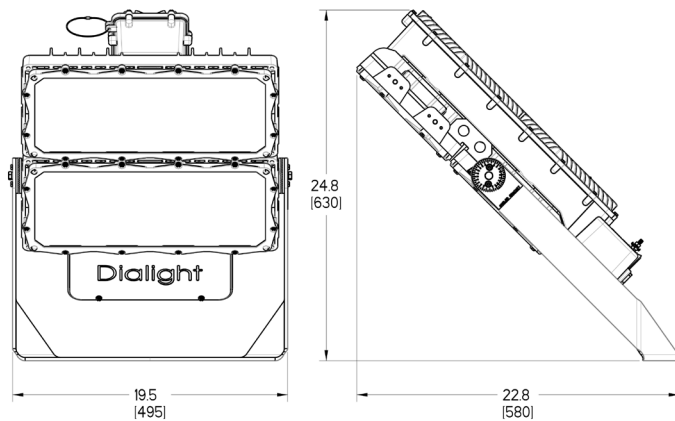


Patent Pending

### Certifications & Ratings

- 10 year warranty
- UL 1598/A / CSA C22.2 No. 250.0 / NOM
- UL 844 / CSA C22.2 No. 137
  - Class I, Division 2 (Groups A, B, C, D)
  - Class I, Zone 2 (Groups IIC)
  - Class II, Division 1 (Groups E, F, G) - up to 36k lumen models
  - Class II, Division 2 (Groups F, G)
  - Zone 20, 21 & 22
  - Class III
- IP66/67, NEMA 4X
- ABS
- IK10 (integrated PC optic/lens/lens cover), IK08 (glass lens cover)
- L70 > 150,000 hours @ 25°C ambient
- DLC/DLC Premium - selected models

### Angled Bracket



Dimensions in inches [mm]

### Mechanical Information:

- Fixture weight:** 43 - 54 lbs
- Shipping weight:** ~56 lbs
- EPA (sq. ft):** 3.33
- Mounting:** 316 stainless steel straight bracket  
(all with 7.5° tilting increments) 316 stainless steel angled bracket
- Cable entry:** 2 x 3/4" NPT

### Electrical Specifications:

- Operating voltage:** 120-277VAC / 120-250VDC  
347-480 VAC
- Operating temp:** -40°F to +149°F (-40°C to +65°C)  
-40°F to +131°F (-40°C to +55°C) - 60klm
- EMC:** CISPR 15  
FCC 47CFR 15  
IEC 61000-3-3  
IEC 61547  
IEC 61000-3-2

**Transient protection:** 6KV/3KA combination wave, as per IEEE C62.41, line-line and line-ground.

Optional: 10KV/5kA for non-hazardous models

**THD:** < 20%

**Power Factor:** > 0.9

**Dimming:** Wireless dimming controls via Dialight IntelliLED (up to 36k only), DALI 2.0 compatible / 0-10VDC

### Construction:

- Housing:** A360 Die-cast aluminum
- Hardware:** 316 stainless steel
- Finish:** Superior epoxy and polyester dual coat finish
- Lens:** Integrated PC Optic/Lens, Glass Lens Cover, PC Lens Cover

### Photometric Information:

- CRI:** 70 (80 optional)
- CCT:** 5000K (cool white)  
4000K (neutral white)  
2700K (warm white) - 80 CRI

**Beam pattern:** NEMA 4  
NEMA 6  
NEMA 7x6  
Asymmetric

**IES files:** Available at [www.dialight.com](http://www.dialight.com)

All values typical unless otherwise stated (tolerance +/- 10%)

### Temperature Ratings

Ambient Temperature T-Code: T4      Ambient Temperature T-Code: T4A

-40°F to +149°F (-40°C to +65°C)      -40°F to +131°F (-40°C to +55°C)

**WARNING - INSTALLATION & SECONDARY RETENTION.** Use of any Dialight products without proper installation (including secondary retention / netting) and periodic inspections could cause severe injury or death. Dialight recommends that all installations should use secondary retention / netting (appropriate to the installation environment) where applicable. It is the exclusive responsibility of the contractor, installer and/or end-user to: (a) determine the suitability of the product for its intended application; and, (b) ensure that the product is safely installed (with secondary retention / netting where appropriate) and in compliance with all applicable laws and regulations. To the extent permissible under applicable laws, Dialight disclaims all liability for personal injury and/or other damage resulting from any dislodgment or other dislocation of its products.

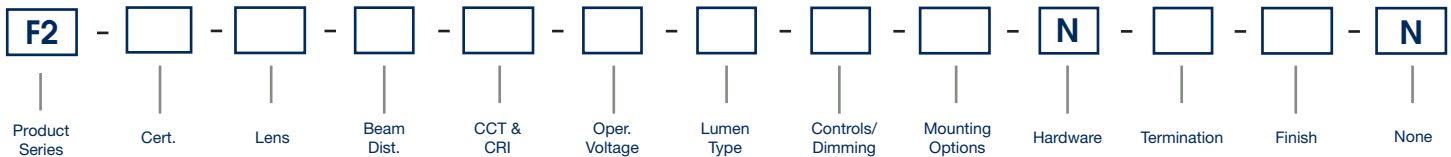
# ProSite LED Floodlight - UL / CSA

## F2 Models



Project Information		Specifications	
Part Number:			
Project:			
Fixture Type:		Date:	

### Ordering Information



Product Series	
F2	ProSite Floodlight F2 Model

Certification	
D	UL 844 CID2, CIID2, CIII
F	UL 844 CIID1, CID2, CIID2, CIII (up to 36k lm models)
U	UL 1598/A / CSA

Lens	
N	Integrated PC Optic/Lens Only
4	PC Lens Cover
7	Glass Lens Cover

Beam Distribution	
4	NEMA 4
6	NEMA 6
7	NEMA 7x6
F	Asymmetric

\*For Asymmetric beam distribution either a PC or Glass lens cover must be included

CCT & CRI	
B	Cool White 5000K - 70 CRI
L	Neutral White 4000K - 70 CRI
W	Warm White 2700K - 80 CRI

\*Amber options available

Operating Voltage	
2	120-277VAC / 120-250VDC
5	347-480 VAC
8	120-277VAC / 120-250VDC 10kV surge (non-hazardous only)
9	347-480 VAC 10kV surge (non-hazardous only)

Lumen Type	
F	30,000 Lumens
H	36,000 Lumens
L	48,000 Lumens
N	60,000 Lumens

Controls/Dimming	
D	0-10V / DALI as standard
J	Dialight IntelliLED Wireless Controls 2.4GHz (Available up to 36klm models)
S	Receptacle with Shorting Cap (non-hazardous only)

Mounting Options	
E	316 SS Angled Bracket
F	316 SS Straight Bracket

Hardware	
N	No Option

Termination	
U	6mm <sup>2</sup> Terminal Block - Screw Down*
V	4mm <sup>2</sup> Terminal Block - Push Down

\*The 6mm<sup>2</sup> terminals are only for the incoming power connections. The 6mm<sup>2</sup> terminals are single pole and cannot be used for 'through' wiring. The 6mm<sup>2</sup> terminals are not available for 347-480V models.

Finish	
G	Gray (RAL 7040)
Z	Bronze (RAL 7022)

Battery	
N	No Options

**DISCLAIMER.** All product information provided is, to the best of Dialight's knowledge, accurate as of the date of publication. When ordering, refer to [www.dialight.com](http://www.dialight.com) for current versions of: (a) relevant product documentation (including the relevant product data sheets); (b) Dialight terms and conditions of sale; and, (c) the relevant product warranty. To the extent that any contract is deemed formed between Dialight and the purchaser of Dialight products and/or an end-user, versions of documents available at [www.dialight.com](http://www.dialight.com) as at the date of sale shall be the versions incorporated therein. In the event of any discrepancy between this document or information provided at [www.dialight.com](http://www.dialight.com), the latter shall prevail.

# Ordering Information

## ProSite LED Floodlight - UL / CSA



Industrial - UL 1598 / CSA							
Part Number	Fixture Lumens	Wattage	lm/W	Voltage	CCT	Lens	Beam Distribution
<b>36,000lm Models</b>							
F2U-N7B2-HDEN-VGN	37,500	234	160	120-277VAC / 120-250VDC	5000k (cool white)	Integrated PC	NEMA 7x6
F2U-N6B2-HDEN-VGN	37,500	234	160	120-277VAC / 120-250VDC	5000k (cool white)	Integrated PC	NEMA 6
F2U-N4B2-HDEN-VGN	37,500	234	160	120-277VAC / 120-250VDC	5000k (cool white)	Integrated PC	NEMA 4
F2U-N7B5-HDEN-VGN	37,500	241	155	347-480VAC	5000k (cool white)	Integrated PC	NEMA 7x6
F2U-N6B5-HDEN-VGN	37,500	241	155	347-480VAC	5000k (cool white)	Integrated PC	NEMA 6
F2U-N4B5-HDEN-VGN	37,500	241	155	347-480VAC	5000k (cool white)	Integrated PC	NEMA 4
<b>48,000lm Models</b>							
F2U-N7B8-LDEN-VGN	51,000	346	147	120-277VAC / 120-250VDC	5000k (cool white)	Integrated PC	NEMA 7x6
<b>F2U-N6B8-LDEN-VGN</b>	51,000	346	147	120-277VAC / 120-250VDC	5000k (cool white)	Integrated PC	NEMA 6
F2U-N4B8-LDEN-VGN	51,000	346	147	120-277VAC / 120-250VDC	5000k (cool white)	Integrated PC	NEMA 4
F2U-N7B9-LDEN-VGN	51,000	357	143	347-480VAC	5000k (cool white)	Integrated PC	NEMA 7x6
<b>F2U-N6B9-LDEN-VGN</b>	51,000	357	143	347-480VAC	5000k (cool white)	Integrated PC	NEMA 6
F2U-N4B9-LDEN-VGN	51,000	357	143	347-480VAC	5000k (cool white)	Integrated PC	NEMA 4
<b>60,000lm Models</b>							
F2U-N7B8-NDEN-VGN	65,000	484	134	120-277VAC / 120-250VDC	5000k (cool white)	Integrated PC	NEMA 7x6
<b>F2U-N6B8-NDEN-VGN</b>	65,000	484	134	120-277VAC / 120-250VDC	5000k (cool white)	Integrated PC	NEMA 6
F2U-N4B8-NDEN-VGN	65,000	484	134	120-277VAC / 120-250VDC	5000k (cool white)	Integrated PC	NEMA 4
F2U-7FB8-NDEN-VGN	60,100	484	124	120-277VAC / 120-250VDC	5000k (cool white)	Glass	Asymmetric
F2U-N7B9-NDEN-VGN	65,000	499	130	347-480VAC	5000k (cool white)	Integrated PC	NEMA 7x6
<b>F2U-N6B9-NDEN-VGN</b>	65,000	499	130	347-480VAC	5000k (cool white)	Integrated PC	NEMA 6
F2U-N4B9-NDEN-VGN	65,000	499	130	347-480VAC	5000k (cool white)	Integrated PC	NEMA 4
F2U-7FB9-NDEN-VGN	60,100	499	120	347-480VAC	5000k (cool white)	Glass	Asymmetric

All values typical unless otherwise stated (tolerance +/- 10%).

See ordering information chart for additional options.

Part numbers listed in **bold** are typically available in stock.

Mounting Bracket - Angled Bracket supplied as standard.

**WARNING - INSTALLATION & SECONDARY RETENTION.** Use of any Dialight products without proper installation (including secondary retention / netting) and periodic inspections could cause severe injury or death. Dialight recommends that all installations should use secondary retention / netting (appropriate to the installation environment) where applicable. It is the exclusive responsibility of the contractor, installer and/or end-user to: (a) determine the suitability of the product for its intended application; and, (b) ensure that the product is safely installed (with secondary retention / netting where appropriate) and in compliance with all applicable laws and regulations. To the extent permissible under applicable laws, Dialight disclaims all liability for personal injury and/or other damage resulting from any dislodgment or other dislocation of its products.



# Ordering Information

## ProSite LED Floodlight - UL / CSA



Hazardous - UL844 CID2, CIID2, CIII							
Part Number	Fixture Lumens	Wattage	lm/W	Voltage	CCT	Lens	Beam Distribution
<b>36,000lm Models</b>							
F2D-77B2-HDEN-VGN	35,400	234	151	120-277VAC / 120-250VDC	5000k (cool white)	Glass	NEMA 7x6
F2D-76B2-HDEN-VGN	35,400	234	151	120-277VAC / 120-250VDC	5000k (cool white)	Glass	NEMA 6
F2D-74B2-HDEN-VGN	35,400	234	151	120-277VAC / 120-250VDC	5000k (cool white)	Glass	NEMA 4
F2D-77B5-HDEN-VGN	35,400	241	147	347-480VAC	5000k (cool white)	Glass	NEMA 7x6
F2D-76B5-HDEN-VGN	35,400	241	147	347-480VAC	5000k (cool white)	Glass	NEMA 6
F2D-74B5-HDEN-VGN	35,400	241	147	347-480VAC	5000k (cool white)	Glass	NEMA 4
<b>48,000lm Models</b>							
F2D-77B2-LDEN-VGN	48,200	346	139	120-277VAC / 120-250VDC	5000k (cool white)	Glass	NEMA 7x6
F2D-76B2-LDEN-VGN	48,200	346	139	120-277VAC / 120-250VDC	5000k (cool white)	Glass	NEMA 6
F2D-74B2-LDEN-VGN	48,200	346	139	120-277VAC / 120-250VDC	5000k (cool white)	Glass	NEMA 4
F2D-77B5-LDEN-VGN	48,200	357	135	347-480VAC	5000k (cool white)	Glass	NEMA 7x6
F2D-76B5-LDEN-VGN	48,200	357	135	347-480VAC	5000k (cool white)	Glass	NEMA 6
F2D-74B5-LDEN-VGN	48,200	357	135	347-480VAC	5000k (cool white)	Glass	NEMA 4
<b>60,000lm Models</b>							
F2D-77B2-NDEN-VGN	61,400	484	127	120-277VAC / 120-250VDC	5000k (cool white)	Glass	NEMA 7x6
F2D-76B2-NDEN-VGN	61,400	484	127	120-277VAC / 120-250VDC	5000k (cool white)	Glass	NEMA 6
F2D-74B2-NDEN-VGN	61,400	484	127	120-277VAC / 120-250VDC	5000k (cool white)	Glass	NEMA 4
F2D-77B5-NDEN-VGN	61,400	499	123	347-480VAC	5000k (cool white)	Glass	NEMA 7x6
F2D-76B5-NDEN-VGN	61,400	499	123	347-480VAC	5000k (cool white)	Glass	NEMA 6
F2D-74B5-NDEN-VGN	61,400	499	123	347-480VAC	5000k (cool white)	Glass	NEMA 4
F2D-77B5-NDEN-VGN	60,100	484	124	120-277VAC / 120-250VDC	5000k (cool white)	Glass	Asymmetric
F2D-76B5-NDEN-VGN	60,100	499	120	347-480VAC	5000k (cool white)	Glass	Asymmetric
<b>Hazardous - UL844 CIID1</b>							
Part Number	Fixture Lumens	Wattage	lm/W	Voltage	CCT	Lens	Beam Distribution
<b>30,000lm Models</b>							
F2F-77B2-FDEN-VGN	30,200	200	151	120-277VAC / 120-250VDC	5000k (cool white)	Glass	NEMA 7x6
F2F-76B2-FDEN-VGN	30,200	200	151	120-277VAC / 120-250VDC	5000k (cool white)	Glass	NEMA 6
F2F-74B2-FDEN-VGN	30,200	200	151	120-277VAC / 120-250VDC	5000k (cool white)	Glass	NEMA 4
F2F-77B5-FDEN-VGN	30,200	206	147	347-480VAC	5000k (cool white)	Glass	NEMA 7x6
F2F-76B5-FDEN-VGN	30,200	206	147	347-480VAC	5000k (cool white)	Glass	NEMA 6
F2F-74B5-FDEN-VGN	30,200	206	147	347-480VAC	5000k (cool white)	Glass	NEMA 4
<b>36,000lm Models</b>							
F2F-77B2-HDEN-VGN	35,400	234	151	120-277VAC / 120-250VDC	5000k (cool white)	Glass	NEMA 7x6
F2F-76B2-HDEN-VGN	35,400	234	151	120-277VAC / 120-250VDC	5000k (cool white)	Glass	NEMA 6
F2F-74B2-HDEN-VGN	35,400	234	151	120-277VAC / 120-250VDC	5000k (cool white)	Glass	NEMA 4
F2F-77B5-HDEN-VGN	35,400	241	147	347-480VAC	5000k (cool white)	Glass	NEMA 7x6
F2F-76B5-HDEN-VGN	35,400	241	147	347-480VAC	5000k (cool white)	Glass	NEMA 6
F2F-74B5-HDEN-VGN	35,400	241	147	347-480VAC	5000k (cool white)	Glass	NEMA 4

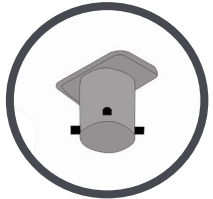
All values typical unless otherwise stated (tolerance +/- 10%).  
See ordering information chart for additional options.  
Mounting Bracket - Angled Bracket supplied as standard.

**DISCLAIMER.** All product information provided is, to the best of Dialight's knowledge, accurate as of the date of publication. When ordering, refer to [www.dialight.com](http://www.dialight.com) for current versions of: (a) relevant product documentation (including the relevant product data sheets); (b) Dialight terms and conditions of sale; and, (c) the relevant product warranty. To the extent that any contract is deemed formed between Dialight and the purchaser of Dialight products and/or an end-user, versions of documents available at [www.dialight.com](http://www.dialight.com) as at the date of sale shall be the versions incorporated therein. In the event of any discrepancy between this document or information provided at [www.dialight.com](http://www.dialight.com), the latter shall prevail.

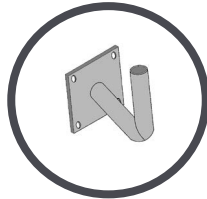
# Accessories

## ProSite LED Floodlight - UL / CSA

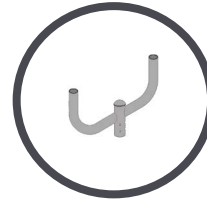
### Mounting Accessories - Gray



- FLX-1TPT-20LG<sup>1</sup>**
- Tenon pole topper, 2-3/8" mount
  - Kit includes: Tenon topper, pole set screws

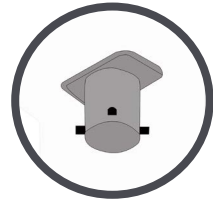


- FLX-1RAB-20LG**
- Right angle mounting bracket for 2-3/8" light mount
  - Kit includes: Right angle bracket

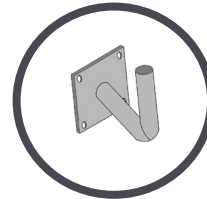


- FLX-2LBH-20LG**
- Bull horn for 2 lights, 2-3/8" mount, 21" spacing
  - Kit includes: Bull horn, pole set screws

### Mounting Accessories - Bronze



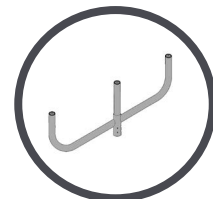
- FLX-1TPT-20DB<sup>1</sup>**
- Tenon pole topper, 2-3/8" mount
  - Kit includes: Tenon topper, pole set screws



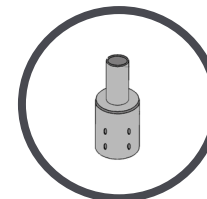
- FLX-1RAB-20DB**
- Right angle mounting bracket for 2-3/8" light mount
  - Kit includes: Right angle bracket



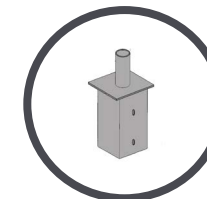
- FLX-2LBH-20DB**
- Bull horn for 2 lights, 2-3/8" mount, 21" spacing
  - Kit includes: Bull horn, pole set screws



- FLX-3LBH-20DB**
- Bull horn for 3 lights, 2-3/8" mount, 21" spacing
  - Kit includes: Bull horn, pole set screws



- FLX-3RPA-20DB**  
**FLX-4RPA-20DB**
- Reducer for 3" or 4" OD round pole top to 2-3/8" light mount
  - Kit includes: Reducer pole set screws



- FLX-4SPA-20DB**  
**FLX-5SPA-20DB**  
**FLX-6SPA-20DB**
- Internal tenon adapter for 4", 5" or 6" square pole top to 2-3/8" light mount
  - Kit includes: Adapter

Mounting accessories shown above are painted steel construction.

### Accessories



- F1NVISOR**
- F1 visor NEMA optics



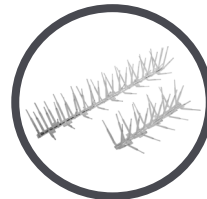
- F2NVISOR**
- F2 visor NEMA optics



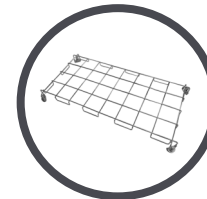
- F2AVISOR**
- F2 visor asymmetric optics



- H6XCAB72<sup>2</sup>**
- 72" stainless steel safety rope
  - Kit includes: (1) cable
- H6XCAB60<sup>2</sup>**
- 60" stainless steel safety rope
  - Kit includes: (1) cable



- F1SPIKES**  
**F2SPIKES**
- Bird spikes



- FLWG**
- Wire guard
  - Kit includes (1) assembly

<sup>1</sup>Brackets and adapters require the tenon pole topper (FLX-1TPT-20DB/LG) to mount floodlight. Tenon pole topper sold separately.

<sup>2</sup>F1 models require 1 cable per unit. F2 models require 2 cables per unit.

**DISCLAIMER.** All product information provided is, to the best of Dialight's knowledge, accurate as of the date of publication. When ordering, refer to [www.dialight.com](http://www.dialight.com) for current versions of: (a) relevant product documentation (including the relevant product data sheets); (b) Dialight terms and conditions of sale; and, (c) the relevant product warranty. To the extent that any contract is deemed formed between Dialight and the purchaser of Dialight products and/or an end-user, versions of documents available at [www.dialight.com](http://www.dialight.com) as at the date of sale shall be the versions incorporated therein. In the event of any discrepancy between this document or information provided at [www.dialight.com](http://www.dialight.com), the latter shall prevail.

# Accessories & Beam Distribution

## ProSite LED Floodlight - UL / CSA

### Replacements



**SLPC01R**

- Photocell, 105-305 VAC

**SLPC02R**

- Photocell, 312-382 VAC

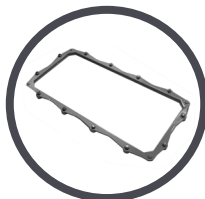
**SLPC03R**

- Photocell, 432-528 VAC



**FLWIRELESS**

- Wireless controls card



**FLGLASSLG**

- Glass lens, gray

**FLGLASSLZ**

- Glass lens, bronze

**FLPCLG**

- Polycarb lens, gray

**FLPCLZ**

- Polycarb lens, bronze

- Kit includes (1) assembly



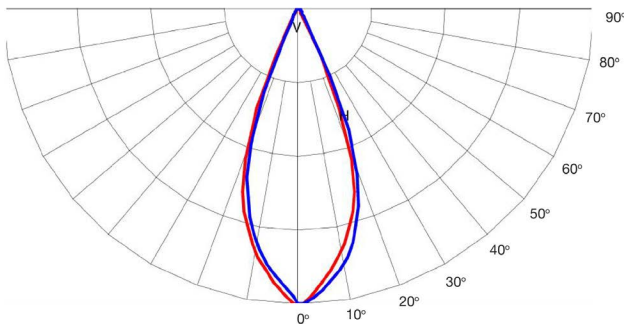
**FL10KV277**

- 10kV surge protection  
100-277V

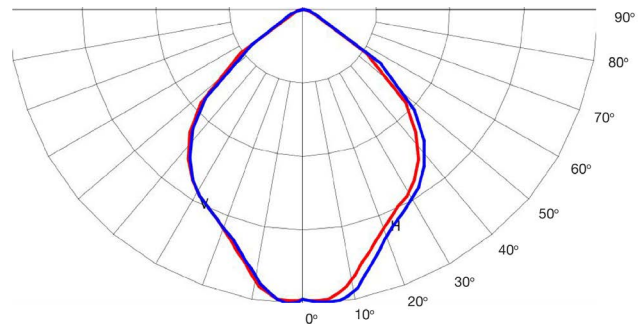
**FL10KV480**

- 10kV surge protection  
347-480V

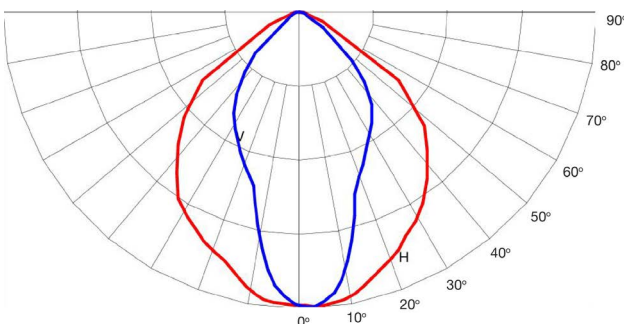
### NEMA 4



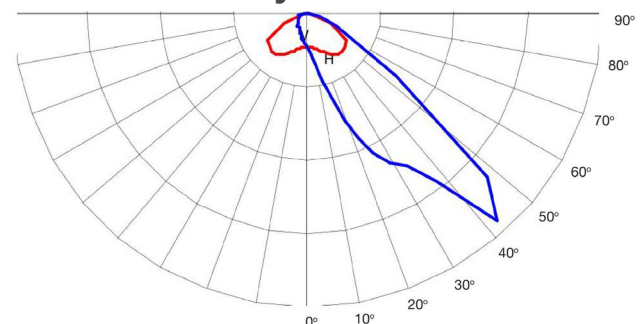
### NEMA 6



### NEMA 7x6



### Asymmetric



**DISCLAIMER.** All product information provided is, to the best of Dialight's knowledge, accurate as of the date of publication. When ordering, refer to [www.dialight.com](http://www.dialight.com) for current versions of: (a) relevant product documentation (including the relevant product data sheets); (b) Dialight terms and conditions of sale; and, (c) the relevant product warranty. To the extent that any contract is deemed formed between Dialight and the purchaser of Dialight products and/or an end-user, versions of documents available at [www.dialight.com](http://www.dialight.com) as at the date of sale shall be the versions incorporated therein. In the event of any discrepancy between this document or information provided at [www.dialight.com](http://www.dialight.com), the latter shall prevail.



# Reliant™ LED High Bay

100-277 VAC, 347-480 VAC

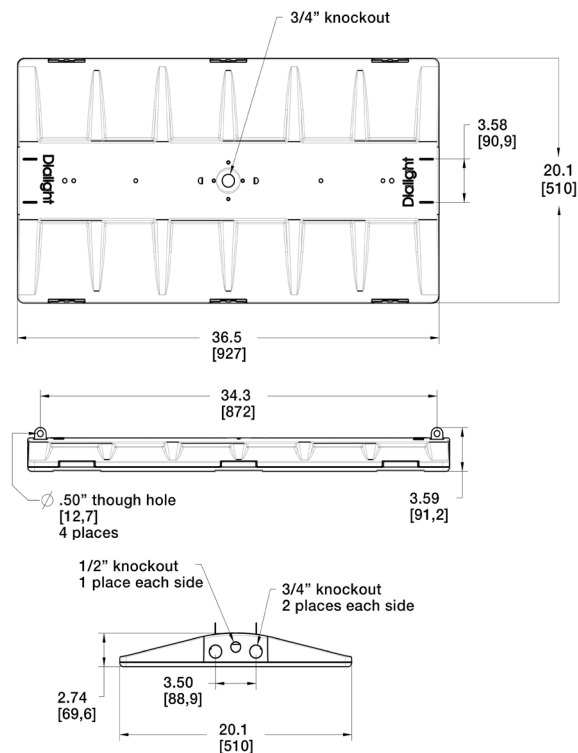


## Certifications & Ratings

- UL 1598
- UL 8750
- CSA C22.2 No. 250.0
- Damp location
- L90 rated for >100,000 hours @ 25°C
- DLC Standard & Premium
- Title 24 compliant

## Features & Benefits

- 10 year warranty
- Up to 160 lm/W
- 10% up-light accessory available (most models)
- Modular configuration
- Field replaceable parts available
- Controls enabled



Dimensions in inches [mm]

## Mechanical Information:

### Fixture weight:

Single unit: 18 lb\* (polycarbonate, 120 VAC version)  
 Tandem unit: 41 lb\* (polycarbonate, 120 VAC version)

\*Base models only - does not include add on accessories (surge, battery backup, sensor) - estimated additional 3 lb

### Mounting:

**Mounting:** Cable/chain  
 Pendant mount kit available (see mounting accessories section on page 17)

**Mounting tabs:** 2 per side

**Cable entries:** 3/4" knockout - 2 per side, 1 top  
 1/2" knockout - 1 per side

**Wiring:** 8" of flying leads within wiring cavity

### Materials:

**Housing:** Halogen free polycarbonate  
**Lens:** Tempered glass, polycarbonate or acrylic  
**Mounting tabs:** 304 stainless steel  
**Fixture color:** Grey  
 Consult factory for additional color options

## Electrical Specifications:

**Operating voltage:** 100-277 VAC  
 347-480 VAC

**Operating temperature:** -40°F to +131°F (-40°C to +55°C)  
 Battery backup\*: +50°F to +95°F (10°C to +35°C)  
 \*Battery backup model ONLY available with 100-277 VAC models

**Total system power consumption:** See table

**EMC:** FCC Title 47, Subpart B, Section 15, Class A

**Transient protection:**  
 100-277 VAC: 6kV (10kV optional)  
 347-480 VAC: 10kV

**THD:** <20%

**Power factor:** >0.9

**Variable dimming:** 0-10 VDC

**Dimming range:** 100%-5%

## Photometric Information:

**CRI:** 80  
 Consult factory for more options available

**CCT:** 5000K (cool white)  
 4000K (neutral white)  
 Consult factory for more options available

All values typical unless otherwise stated (tolerance +/- 10%)

**WARNING - INSTALLATION & SECONDARY RETENTION.** Use of any Dialight products without proper installation (including secondary retention / netting) and periodic inspections could cause severe injury or death. Dialight recommends that all installations should use secondary retention / netting (appropriate to the installation environment) where applicable. It is the exclusive responsibility of the contractor, installer and/or end-user to: (a) determine the suitability of the product for its intended application; and, (b) ensure that the product is safely installed (with secondary retention / netting where appropriate) and in compliance with all applicable laws and regulations. To the extent permissible under applicable laws, Dialight disclaims all liability for personal injury and/or other damage resulting from any dislodgment or other dislocation of its products.

# Ordering Information

## Reliant™ LED High Bay - 100-277 VAC, 347-480 VAC



Most Popular Variants (consult factory for other options)							
Part Number	Form Factor	Fixture Lumens	Wattage	lm/W	Lens	Beam Distribution	Controls
<b>100-277 VAC Models</b>							
RHU-5MC2-CDCN-NGN	Single	16,200	123	132	Diffused Polycarbonate	Medium	Dimming
RHU-5MC2-CGCN-NGN	Single	16,200	123	132	Diffused Polycarbonate	Medium	Occupancy Sensor
RHU-7MC2-CDCN-NGN	Single	18,000	123	146	Tempered Glass	Medium	Dimming
RHU-7MC2-CGCN-NGN	Single	18,000	123	146	Tempered Glass	Medium	Occupancy Sensor
RHU-5MC2-EDCN-NGN	Single	21,100	163	129	Diffused Polycarbonate	Medium	Dimming
RHU-7MC2-EDCN-NGN	Single	23,520	163	144	Tempered Glass	Medium	Dimming
RHU-5MC2-FDCN-NGN	Single	26,400	199	133	Diffused Polycarbonate	Medium	Dimming
RHU-7AC2-FDCN-NGN	Single	29,400	199	148	Tempered Glass	Aisle	Dimming
RHU-7MC2-FDCN-NGN	Single	29,400	199	148	Tempered Glass	Medium	Dimming
RHU-7MC2-FGCN-NGN	Single	29,400	199	148	Tempered Glass	Medium	Occupancy Sensor
RHU-5MC2-HDCN-NGN	Single	31,500	239	132	Diffused Polycarbonate	Medium	Dimming
RHU-7MC2-HDCN-NGN	Single	34,500	239	144	Tempered Glass	Medium	Dimming
RHU-7MC2-LDEN-NGN	Tandem Side By Side	47,000	325	145	Tempered Glass	Medium	Dimming
RHU-7MC2-LDDN-NGN	Tandem End To End	47,000	325	145	Tempered Glass	Medium	Dimming
RHU-7MC2-NDEN-NGN	Tandem Side By Side	58,800	398	148	Tempered Glass	Medium	Dimming
RHU-7MC2-NDDN-NGN	Tandem End To End	58,800	398	148	Tempered Glass	Medium	Dimming
RHU-7MC2-RDEN-NGN	Tandem Side By Side	69,000	478	144	Tempered Glass	Medium	Dimming
<b>100-277 VAC Battery Backup Models</b>							
RHU-7MC2-CDCN-NGF	Single	18,000	123	146	Tempered Glass	Medium	Dimming
RHU-7MC2-FDCN-NGF	Single	29,400	199	148	Tempered Glass	Medium	Dimming
<b>347-480 VAC Models*</b>							
RHU-5MC9-CDCN-NGN	Single	16,200	125	130	Diffused Polycarbonate	Medium	Dimming
RHU-7MC9-EDCN-NGN	Single	23,500	166	142	Tempered Glass	Medium	Dimming
RHU-5MC9-FDCN-NGN	Single	26,400	203	130	Diffused Polycarbonate	Medium	Dimming
RHU-7MC9-FDCN-NGN	Single	29,400	203	145	Tempered Glass	Medium	Dimming
RHU-7MC9-HDCN-NGN	Single	34,550	244	142	Tempered Glass	Medium	Dimming
RHU-7MC9-LDEN-NGN	Tandem Side By Side	47,000	331	142	Tempered Glass	Medium	Dimming
RHU-7MC9-NDEN-NGN	Tandem Side By Side	58,800	406	145	Tempered Glass	Medium	Dimming
RHU-7MC9-RDEN-NGN	Tandem Side By Side	69,100	487	142	Tempered Glass	Medium	Dimming
RHU-7MC9-RDDN-NGN	Tandem End To End	69,100	487	142	Tempered Glass	Medium	Dimming

All values typical unless otherwise stated (tolerance +/- 10%)

\*480 VAC models NOT available with Battery Backup

**DISCLAIMER.** All product information provided is, to the best of Dialight's knowledge, accurate as of the date of publication. When ordering, refer to [www.dialight.com](http://www.dialight.com) for current versions of: (a) relevant product documentation (including the relevant product data sheets); (b) Dialight terms and conditions of sale; and, (c) the relevant product warranty. To the extent that any contract is deemed formed between Dialight and the purchaser of Dialight products and/or an end-user, versions of documents available at [www.dialight.com](http://www.dialight.com) as at the date of sale shall be the versions incorporated therein. In the event of any discrepancy between this document or information provided at [www.dialight.com](http://www.dialight.com), the latter shall prevail.

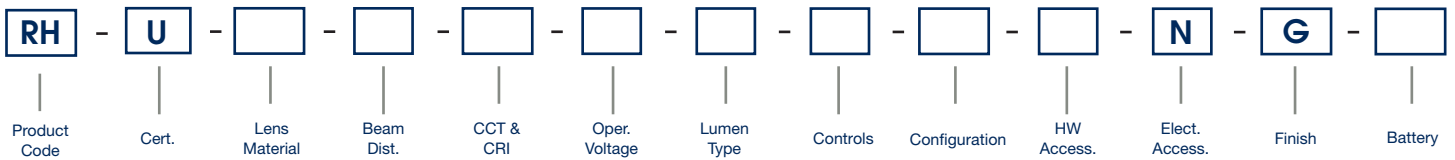
# Ordering Information

## Reliant™ LED High Bay - 100-277 VAC, 347-480 VAC



Project Information		Specifications	
Part Number:			
Project:			
Fixture Type:		Date:	

### Ordering Information



Product Code	Beam Distribution	Lumen Type	Hardware Accessories
RH Reliant™ High Bay	A Aisle	C 18,000 Lumens	N No Cord
	M Medium	E 23,500 Lumens	2 6' 18-3 STOOW Power Cord
	P Aisle Distribution with 10% Up-Light (Factory Installed)	F 29,400 Lumens	3 12' 18-3 STOOW Power Cord
	Q Medium Distribution with 10% Up-Light (Factory Installed)	H 34,600 Lumens	
	* Field installable up-light accessory available	<b>Tandem Models</b>	<b>Electrical Accessories</b>
<b>Certification</b>		L 47,000 Lumens	N No Option
U UL 1598, CSA		N 58,800 Lumens	
		R 69,100 Lumens	
	<b>CCT &amp; CRI</b>	<b>Controls</b>	<b>Finish</b>
<b>Lens Material</b>	C Cool White 5000K - 80 CRI	D Dimming (0-10V)	G Gray
2 Acrylic - Clear	N Neutral White 4000K - 80 CRI	G Occupancy Sensor, Bluetooth FSP-3x1	
4 Polycarbonate - Clear		J IntelliLED™ Wireless Controls	
5 Polycarbonate - Diffused	<b>Operating Voltage</b>		<b>Battery</b>
7 Tempered Glass - Clear	2 100-277 VAC, 6kV Surge Protection	<b>Configuration</b>	F Standard Battery Backup - 5W 120-277 VAC Fixtures ONLY
	8 100-277 VAC, 10kV Surge Protection	C Single	G Battery Backup - 10W 120-277 VAC Fixtures ONLY
	9 347-480 VAC 10kV Surge Protection	D Tandem End to End	N No Option
		E Tandem Side by Side	

Notes
1) Lumen type based on using a glass lens, medium optic, cool white, 80 CRI. See tables for lumens when changing options.
2) For Lumen types L, N, R, use Mounting Option D - Tandem End to End or E - Tandem Side by Side.
3) Hardware accessories not available on battery back-up models.

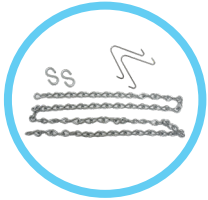
**DISCLAIMER.** All product information provided is, to the best of Dialight's knowledge, accurate as of the date of publication. When ordering, refer to [www.dialight.com](http://www.dialight.com) for current versions of: (a) relevant product documentation (including the relevant product data sheets); (b) Dialight terms and conditions of sale; and, (c) the relevant product warranty. To the extent that any contract is deemed formed between Dialight and the purchaser of Dialight products and/or an end-user, versions of documents available at [www.dialight.com](http://www.dialight.com) as at the date of sale shall be the versions incorporated therein. In the event of any discrepancy between this document or information provided at [www.dialight.com](http://www.dialight.com), the latter shall prevail.

# Mounting Accessories



**RH-MCAB-5 (6' option)**  
**RH-MCAB-10 (10' option)**  
**RH-MCAB-15 (16' option)**  
**RH-MCAB-20 (22' option)**

- Wire rope hanging kit
- Includes electro-galvanized 2mm steel looped end wires (2x), wire locking devices (2x) & v-hangers (2x)



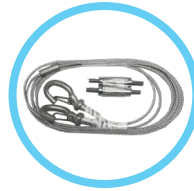
**RH-CHAIN-3 (3' option)**  
**RH-CHAIN-4 (4' option)**  
**RH-CHAIN-6 (6' option)**

- Jack chain hanging kit
- Includes #12 steel chains (2x), s-hooks (4x), and v-hangers (2x)
- For use with single configured models only



**RH-PENDANT-BRKT**

- 3/4" NPT pendant mount kit
- Includes low copper A360 aluminum die cast adapter and hardware
- For use with single configured models only



**RH-YCAB-5 (6' option)**  
**RH-YCAB-10 (10' option)**  
**RH-YCAB-20 (22' option)**

- Wire rope hanging kit
- Includes electro-galvanized 2mm steel y-hook wires (2x) and wire locking devices (2x)



**RH-VHANGER**

- 304 stainless steel v-hangers (2x)



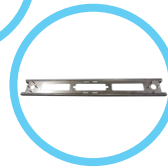
**HBXCAB48**

- 48" long stainless steel safety securing wire rope (2x)



**RH-TANBRKT-SBS**

- Side-by-side tandem kit
- Includes 304 stainless steel brackets, hardware, and wire harnesses



**RH-TANBRKT-E2E**

- End-to-end tandem kit
- Includes 304 stainless steel brackets, hardware, and wire harnesses

# Additional Accessories

For use as replacement parts or for field customized projects.



**RH-WIRELESS-1**

- IntelliLED wireless control kit
- 2x required for tandem models



**RH-UPL-CWC (CW)**  
**RH-UPL-NWC (NW)**

- Direct up-lighting kit - set of 2
- For use with 30K, 36K, 60K, 72K models



**RH-UPL-CWB (CW)**  
**RH-UPL-NWB (NW)**

- Direct up-lighting kit - set of 2
- For use with 18k, 24k, 48K models

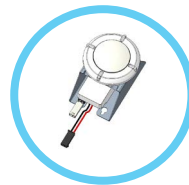


**RH-10KV-277**

- 100-277 VAC Littelfuse LSP10 surge protection kit

**RH-10KV-480**

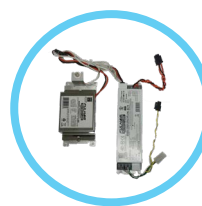
- 347-480 VAC Littelfuse LSP10 surge protection kit



**RH-WS-OCC-301**

- WattStopper FSP-301 PIR occupancy sensor kit
- Bluetooth adjustable via Legrand app
- Time delay: 5 min-30 min.; default 15 minute
- Maximum coverage 100' diameter from 40' height
- For use with 36K+Uplight and 72K+Uplight models only

## Battery Backup Accessories (100-277 VAC Models ONLY)



**RH-EBU-800**

- 5W battery backup kit (~800 lumens)
- Fulham FHSCP-UNV-10P-L-SD driver
- Fulham FHSBATL3-1.5-SD battery pack

**RH-EBU-1500**

- 10W battery backup kit (~1,500 lumens)
- Fulham FHSCP-UNV-10P-L-SD driver
- Fulham FHSBATL3-3-SD battery pack

NOT for use with 480V fixtures  
 Factory installed power cord is not available with Battery Back-up option

MODEL	RH-UPL-NWC (NW)	RH-UPL-CWC (CW)	RH-WS-OCC-212	RH-WS-OCC-321	RH-10KV-480	RH-10KV-277	RH-EBU-800	RH-EBU-1500
100-277 VAC	✓	✓	✓	✓	✓	✓	✓	✓
347-480 VAC	✓	✓	✓	✓	✓	✓	✓	✓

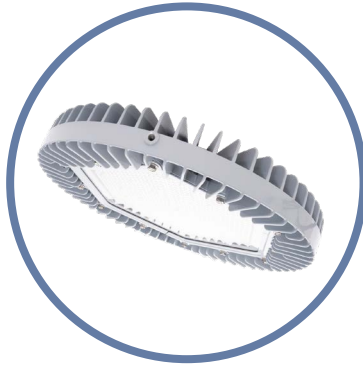
DISCLAIMER. All product information provided is, to the best of Dialight's knowledge, accurate as of the date of publication. When ordering, refer to [www.dialight.com](http://www.dialight.com) for current versions of: (a) relevant product documentation (including the relevant product data sheets); (b) Dialight terms and conditions of sale; and, (c) the relevant product warranty. To the extent that any contract is deemed formed between Dialight and the purchaser of Dialight products and/or an end-user, versions of documents available at [www.dialight.com](http://www.dialight.com) as at the date of sale shall be the versions incorporated therein. In the event of any discrepancy between this document or information provided at [www.dialight.com](http://www.dialight.com), the latter shall prevail.



# Vigilant® Ultra-Efficient LED High Bay - UL / CSA

## Technical Information

### Corded Model



#### Mechanical Information:

**Fixture weight:**  
18 lbs (8.16kg)

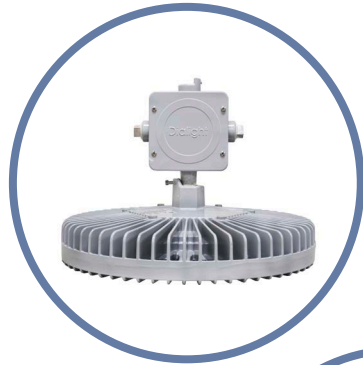
**Shipping weight:**  
24 lbs (10.8kg)

**Mounting:**  
3/4" NPT - top  
Various Kits

**Power Cord:**  
10' 18 AWG STOOW / SOOW

Patent pending

### Integrated Wiring Box Model



#### Mechanical Information:

**Fixture weight:**  
20 lbs (9 kg)

**Shipping weight:**  
26 lbs (12 kg)

**Mounting:**  
3/4" NPT or Hook

**Wiring Box Cable Entries:**  
(2x) 3/4" NPT



#### Certifications & Ratings:

10 year warranty

UL 1598/A

UL 8750

IP66/67

CSA C22.2 No. 250.0-08

NEMA 4X

L70 rated for >150,000 hours

#### Variable Dimming:

**Variable Dimming Control:** 0-10 VDC

**Dimming Range:** 10 VDC = 100% light output  
0 VDC = <10% light output

#### Electrical Specifications:

**Operating Voltage:** 100-277 VAC, 120-250 VDC  
347-480 VAC

**Total system power consumption:** See table

**Operating Temp:** -40°F to +149°F (-40°C to +65°C)

**Harmonics:** IEC 61000-3-2 Class C

**Noise requirement /EMC:** FCC Title 47, Subpart B, Section 15, class A device. RF Immunity; 10V/m, 80MHz-1GHz

**Transient protection:** 100-277 VAC models tested to withstand up to 8kV/4kA per IEEE C62.41.  
347-480 VAC models tested to withstand up to 6kV/3kA per IEEE C62.41

**THD:** <20%

**Power Factor:** >0.9

**Fusing:** Internal

#### Construction:

**Housing:** Copper free aluminum

**Finish:** Superior dual coat finish  
Sealed polyester topcoat  
Chemical-resistant epoxy primer

**Lens:** See table

#### Photometric Information:

**CRI:** 80, 70

**CCT:** 5000K (cool white)  
4000K (neutral white)

All values typical unless otherwise stated (tolerance +/- 10%)

**WARNING - INSTALLATION & SECONDARY RETENTION.** Use of any Dialight products without proper installation (including secondary retention / netting) and periodic inspections could cause severe injury or death. Dialight recommends that all installations should use secondary retention / netting (appropriate to the installation environment) where applicable. It is the exclusive responsibility of the contractor, installer and/or end-user to: (a) determine the suitability of the product for its intended application; and, (b) ensure that the product is safely installed (with secondary retention / netting where appropriate) and in compliance with all applicable laws and regulations. To the extent permissible under applicable laws, Dialight disclaims all liability for personal injury and/or other damage resulting from any dislodgment or other dislocation of its products.

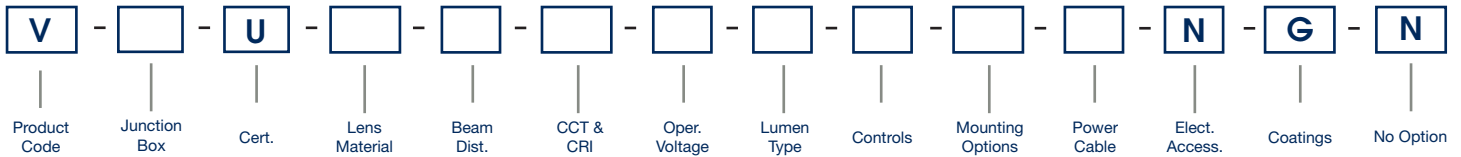
# Vigilant® Ultra-Efficient LED High Bay - UL / CSA

## Ordering Information



Project Information			Specifications		
Part Number:					
Project:					
Fixture Type:		Date:			

## Ordering Information



Product Code	CCT & CRI	Controls	Electrical Accessories*
V Vigilant® Ultra-Efficient	B Cool White 5000K - 70 CRI	D Continuous Dimming	N No Plug
	C Cool White 5000K - 80 CRI	J IntelliLED Wireless	*Cord & plug options available upon request
Junction Box	Operating Voltage	Mounting Options	Coatings
C Wiring Box	2 100-277 VAC / 120-250 VDC	H Hook	G Gray (RAL 7040)
E No Junction Box	5 347-480 VAC	N 3/4" NPT	
Certification	Lumen Type <sup>1</sup>	P Secondary Retention Bracket	Option
U UL 1598/A, CSA, NOM	A 12,100 Lumens		N No Option
Lens Material	B 15,000 Lumens	Power Cable	
4 Polycarbonate - Clear	C 19,100 Lumens	N No Cord (Wiring Box only)	
7 Tempered Glass - Clear	E 26,300 Lumens	W 10' [3 meter] Power Cable	
L Polycarbonate Dome - Diffused	F 30,900 Lumens		
Beam Distribution	H 35,700 Lumens		
E Aisle	J 41,300 Lumens		
M Medium			
N Narrow			
R High Efficacy Round			

Notes
1) Lumen type based on using a glass lens, round optic, 70 CRI. See page 14 for output of other options.
2) Occupancy Sensor models are dry locations only and are IP6X rated with a -20°C to +65°C ambient temperature range.

**DISCLAIMER.** All product information provided is, to the best of Dialight's knowledge, accurate as of the date of publication. When ordering, refer to [www.dialight.com](http://www.dialight.com) for current versions of: (a) relevant product documentation (including the relevant product data sheets); (b) Dialight terms and conditions of sale; and, (c) the relevant product warranty. To the extent that any contract is deemed formed between Dialight and the purchaser of Dialight products and/or an end-user, versions of documents available at [www.dialight.com](http://www.dialight.com) as at the date of sale shall be the versions incorporated therein. In the event of any discrepancy between this document or information provided at [www.dialight.com](http://www.dialight.com), the latter shall prevail.

# Vigilant® Ultra-Efficient LED High Bay - UL / CSA

## Ordering Information - Corded Model



Corded Model - 3/4" Conduit - 100-277 VAC / 120-250 VDC								
Part Number	Lumens	Wattage	lm/W	CCT, CRI	Lens	Beam Distribution	Hardware Options	Wiring
VEU-7NC2-JNNW-NGN	38,200	230	166	CW, 80CRI	Glass	Narrow	Pendant 3/4" NPT	10' Power Cable
VEU-7MC2-JNNW-NGN	37,400	230	163	CW, 80CRI	Glass	Medium	Pendant 3/4" NPT	10' Power Cable
VEU-7MC2-HNNW-NGN	32,300	195	166	CW, 80CRI	Glass	Medium	Pendant 3/4" NPT	10' Power Cable
VEU-7MC2-FNNW-NGN	28,000	165	170	CW, 80CRI	Glass	Medium	Pendant 3/4" NPT	10' Power Cable
VEU-7MC2-ENNW-NGN	23,800	140	170	CW, 80CRI	Glass	Medium	Pendant 3/4" NPT	10' Power Cable
Corded Model - 3/4" Conduit - 347-480 VAC								
VEU-7NC5-JNNW-NGN	38,200	230	166	CW, 80CRI	Glass	Narrow	Pendant 3/4" NPT	10' Power Cable
VEU-7MC5-JNNW-NGN	37,400	230	163	CW, 80CRI	Glass	Medium	Pendant 3/4" NPT	10' Power Cable
VEU-7MC5-HNNW-NGN	32,300	195	166	CW, 80CRI	Glass	Medium	Pendant 3/4" NPT	10' Power Cable
VEU-7MC5-FNNW-NGN	28,000	165	170	CW, 80CRI	Glass	Medium	Pendant 3/4" NPT	10' Power Cable
VEU-7MC5-ENNW-NGN	23,800	140	170	CW, 80CRI	Glass	Medium	Pendant 3/4" NPT	10' Power Cable
Integrated Wiring Box Model - Hook - 100-277 VAC / 120-250 VDC								
VCU-7NC2-JDHN-NGN	38,200	230	166	CW, 80CRI	Glass	Narrow	Hook	Wiring Box
VCU-7MC2-JDHN-NGN	37,400	230	163	CW, 80CRI	Glass	Medium	Hook	Wiring Box
VCU-7MC2-HDHN-NGN	32,300	195	166	CW, 80CRI	Glass	Medium	Hook	Wiring Box
VCU-7MC2-FDHN-NGN	28,000	165	170	CW, 80CRI	Glass	Medium	Hook	Wiring Box
VCU-7MC2-EDHN-NGN	23,800	140	170	CW, 80CRI	Glass	Medium	Hook	Wiring Box
Integrated Wiring Box Model - Hook - 347-480 VAC								
VCU-7NC5-JDHN-NGN	38,200	230	166	CW, 80CRI	Glass	Narrow	Hook	Wiring Box
VCU-7MC5-JDHN-NGN	37,400	230	163	CW, 80CRI	Glass	Medium	Hook	Wiring Box
VCU-7MC5-HDHN-NGN	32,300	195	166	CW, 80CRI	Glass	Medium	Hook	Wiring Box
VCU-7MC5-FDHN-NGN	28,000	165	170	CW, 80CRI	Glass	Medium	Hook	Wiring Box
VCU-7MC5-EDHN-NGN	23,800	140	170	CW, 80CRI	Glass	Medium	Hook	Wiring Box

All values typical unless otherwise stated (tolerance +/- 10%)

**WARNING - INSTALLATION & SECONDARY RETENTION.** Use of any Dialight products without proper installation (including secondary retention / netting) and periodic inspections could cause severe injury or death. Dialight recommends that all installations should use secondary retention / netting (appropriate to the installation environment) where applicable. It is the exclusive responsibility of the contractor, installer and/or end-user to: (a) determine the suitability of the product for its intended application; and, (b) ensure that the product is safely installed (with secondary retention / netting where appropriate) and in compliance with all applicable laws and regulations. To the extent permissible under applicable laws, Dialight disclaims all liability for personal injury and/or other damage resulting from any dislodgment or other dislocation of its products.

# Vigilant® Ultra-Efficient LED Low Bay - UL / CSA

## Technical Information

### Corded Model



#### Mechanical Information:

**Fixture weight:**

18 lbs (8.16kg)

**Shipping weight:**

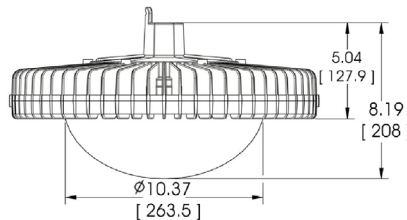
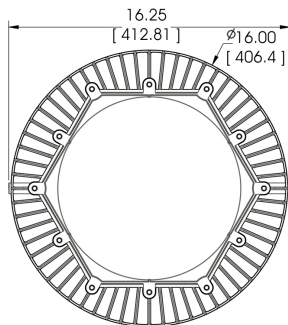
24 lbs (10.8kg)

**Mounting:**

3/4" NPT - top  
Various Kits

**Power Cord:**

10' 18 AWG ST00W/S00W



### Integrated Wiring Box Model



#### Mechanical Information:

**Fixture weight:**

20 lbs (9 kg)

**Shipping weight:**

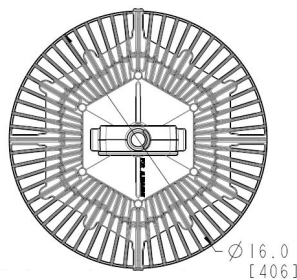
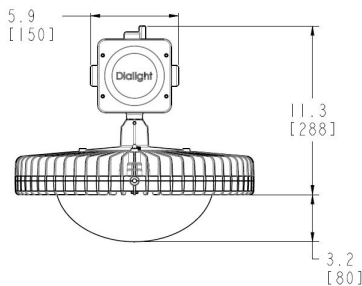
26 lbs (12 kg)

**Mounting:**

3/4" NPT or Hook  
Various Kits

**Wiring Box Cable Entries:**

(2x) 3/4" NPT



Dimensions in inches (mm)

#### Certifications & Ratings:

10 year warranty

UL 1598/A

UL 8750

IP66/67

CSA C22.2 No. 250.0-08

NEMA 4X

L70 rated for >150,000 hours

#### Variable Dimming:

**Variable Dimming Control:** 0-10 VDC

**Dimming Range:**

10 VDC = 100% light output

0 VDC = <10% light output

#### Occupancy Sensor:

Mounting Height:

Up to 40ft

Ingress Protection:

IP6X

#### Electrical Specifications:

**Operating Voltage:**

100-277 VAC (120-250 VDC)

347-480 VAC

**Total system power consumption:**

See table

**Operating Temp:**

-40°F to +149°F (-40°C to +65°C)

**Harmonics:**

IEC 61000-3-2 Class C

**Noise requirement /EMC:**

FCC Title 47, Subpart B, Section 15, class A device. RF Immunity; 10V/m, 80MHz-1GHz

**Transient protection:**

100-277 VAC models tested to withstand up to 8kV/4kA per IEEE C62.41

347-480VAC models tested to withstand up to 6kV/3kA per IEEE C62.41

**THD:**

6k-18k lm models: <20%

**Power Factor:**

>0.9

**Fusing:**

Internal

#### Construction:

**Housing:**

Copper free aluminum

**Finish:**

Superior dual coat finish  
Sealed polyester topcoat  
Chemical-resistant epoxy primer

**Lens:**

See table

#### Photometric Information:

**CRI:**

80

**CCT:**

5000K (cool white)

4000K (neutral white)

All values typical unless otherwise stated (tolerance +/- 10%)

**DISCLAIMER.** All product information provided is, to the best of Dialight's knowledge, accurate as of the date of publication. When ordering, refer to [www.dialight.com](http://www.dialight.com) for current versions of: (a) relevant product documentation (including the relevant product data sheets); (b) Dialight terms and conditions of sale; and, (c) the relevant product warranty. To the extent that any contract is deemed formed between Dialight and the purchaser of Dialight products and/or an end-user, versions of documents available at [www.dialight.com](http://www.dialight.com) as at the date of sale shall be the versions incorporated therein. In the event of any discrepancy between this document or information provided at [www.dialight.com](http://www.dialight.com), the latter shall prevail.



# Vigilant® Ultra-Efficient LED Low Bay - UL / CSA

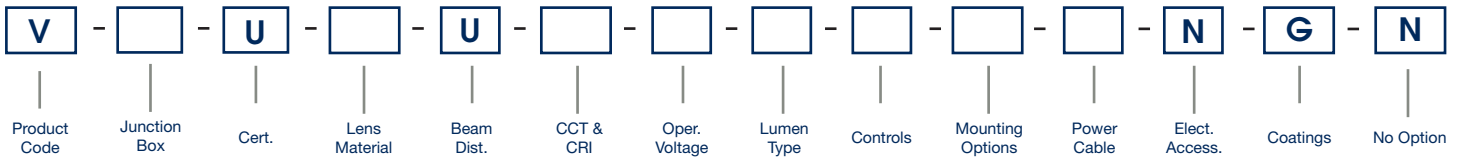
## Ordering Information



Project Information	
Part Number:	
Project:	
Fixture Type:	Date:

Specifications

### Ordering Information



Product Code	Beam Distribution	Lumen Type <sup>1</sup>	Power Cable
V Vigilant® Ultra-Efficient	U Ultra Wide	6 6,100 Lumens	N No Cord (Wiring Box only)
		9 9,000 Lumens	W 10' [3 meter] Power Cable
		B 13,400 Lumens	
		C 16,600 Lumens	
Junction Box	CCT & CRI	Controls	Electrical Accessories*
C Wiring Box	C Cool White 5000K - 80 CRI	D Continuous Dimming	N No Plug
E No Junction Box	N Neutral White 4000K - 80 CRI	J IntelliLED Wireless Controls	*Cord & plug options available upon request
		N No Option	
		Q Microwave Occ Sensor 40 <sup>13</sup>	
Certification	Operating Voltage	Mounting Options	Coatings
U UL 1598/A	2 100-277 VAC / 120-250 VDC	H Hook	G Gray (RAL 7040)
	5 347-480 VAC	N Pendant 3/4" NPT	
		P Pendant 3/4" NPT with Safety Retention Tabs	
		R Safety Retention Tabs with Hook	
Lens Material			Option
2 Acrylic - Clear (dry location only) <sup>2</sup>			N No Option
3 Acrylic - Diffused (dry location only) <sup>2</sup>			
4 Polycarbonate - Clear			
5 Polycarbonate - Diffused			
L Polycarbonate Dome - Diffused			

Notes
1) Lumen type based on using a polycarbonate dome lens. See page 14 for output of other options.
2) Acrylic lens are dry location only.
3) Occupancy Sensor models are dry locations only and are IP6X rated with a -20°C to +65°C ambient temperature range.

**WARNING - INSTALLATION & SECONDARY RETENTION.** Use of any Dialight products without proper installation (including secondary retention / netting) and periodic inspections could cause severe injury or death. Dialight recommends that all installations should use secondary retention / netting (appropriate to the installation environment) where applicable. It is the exclusive responsibility of the contractor, installer and/or end-user to: (a) determine the suitability of the product for its intended application; and, (b) ensure that the product is safely installed (with secondary retention / netting where appropriate) and in compliance with all applicable laws and regulations. To the extent permissible under applicable laws, Dialight disclaims all liability for personal injury and/or other damage resulting from any dislodgment or other dislocation of its products.

# Vigilant® Ultra-Efficient LED Low Bay - UL / CSA

## Ordering Information - Corded Model & Integrated Wiring Box Model



Corded Model - 3/4" Conduit - 100-277 VAC / 120-250 VDC								
Part Number	Lumens	Wattage	lm/W	CCT, CRI	Lens	Beam Distribution	Hardware Options	Wiring
VEU-LUC2-CNNW-NGN	16,700	115	145	CW, 80CRI	Polycarbonate Dome - Diffused	Ultra Wide	Pendant 3/4" NPT	10' Power Cable
VEU-LUC2-BNNW-NGN	13,400	90	149	CW, 80CRI	Polycarbonate Dome - Diffused	Ultra Wide	Pendant 3/4" NPT	10' Power Cable
VEU-LUC2-9NNW-NGN	9,000	60	150	CW, 80CRI	Polycarbonate Dome - Diffused	Ultra Wide	Pendant 3/4" NPT	10' Power Cable
VEU-LUC2-6NNW-NGN	6,100	43	142	CW, 80CRI	Polycarbonate Dome - Diffused	Ultra Wide	Pendant 3/4" NPT	10' Power Cable
Corded Model - 3/4" Conduit - 347-480 VAC								
VEU-LUC5-CNNW-NGN	16,700	115	145	CW, 80CRI	Polycarbonate Dome - Diffused	Ultra Wide	Pendant 3/4" NPT	10' Power Cable
VEU-LUC5-BNNW-NGN	13,400	90	149	CW, 80CRI	Polycarbonate Dome - Diffused	Ultra Wide	Pendant 3/4" NPT	10' Power Cable
VEU-LUC5-9NNW-NGN	9,000	60	150	CW, 80CRI	Polycarbonate Dome - Diffused	Ultra Wide	Pendant 3/4" NPT	10' Power Cable
Integrated Wiring Box Model - Hook - 100-277 VAC / 120-250 VDC								
VCU-LUC2-CDHN-NGN	16,700	115	145	CW, 80CRI	Polycarbonate Dome - Diffused	Ultra Wide	Hook	Wiring Box
VCU-LUC2-BDHN-NGN	13,400	90	149	CW, 80CRI	Polycarbonate Dome - Diffused	Ultra Wide	Hook	Wiring Box
VCU-LUC2-9DHN-NGN	9,000	60	150	CW, 80CRI	Polycarbonate Dome - Diffused	Ultra Wide	Hook	Wiring Box
VCU-LUC2-6DHN-NGN	6,100	43	142	CW, 80CRI	Polycarbonate Dome - Diffused	Ultra Wide	Hook	Wiring Box
Integrated Wiring Box Model - Hook - 347-480 VAC								
VCU-LUC5-CDHN-NGN	16,700	115	145	CW, 80CRI	Polycarbonate Dome - Diffused	Ultra Wide	Hook	Wiring Box
VCU-LUC5-BDHN-NGN	13,400	90	149	CW, 80CRI	Polycarbonate Dome - Diffused	Ultra Wide	Hook	Wiring Box
VCU-LUC5-9DHN-NGN	9,000	60	150	CW, 80CRI	Polycarbonate Dome - Diffused	Ultra Wide	Hook	Wiring Box

All values typical unless otherwise stated (tolerance +/- 10%)

**DISCLAIMER.** All product information provided is, to the best of Dialight's knowledge, accurate as of the date of publication. When ordering, refer to [www.dialight.com](http://www.dialight.com) for current versions of: (a) relevant product documentation (including the relevant product data sheets); (b) Dialight terms and conditions of sale; and, (c) the relevant product warranty. To the extent that any contract is deemed formed between Dialight and the purchaser of Dialight products and/or an end-user, versions of documents available at [www.dialight.com](http://www.dialight.com) as at the date of sale shall be the versions incorporated therein. In the event of any discrepancy between this document or information provided at [www.dialight.com](http://www.dialight.com), the latter shall prevail.

# Vigilant® LED High Bay - UL / CSA

## Corded Model & Integrated Wiring Box Model

### Corded Model



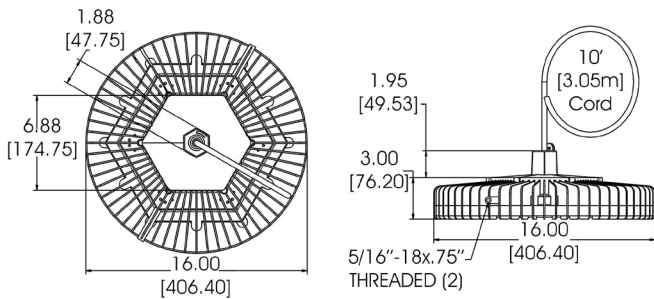
#### Mechanical Information:

**Fixture weight:**  
18 lbs (8.16kg)

**Shipping weight:**  
24 lbs (10.8kg)

**Mounting:**  
3/4" NPT - top  
Various Kits

**Power Cord:**  
10' 18 AWG ST00W/S00W  
Patent pending



### Integrated Wiring Box Model



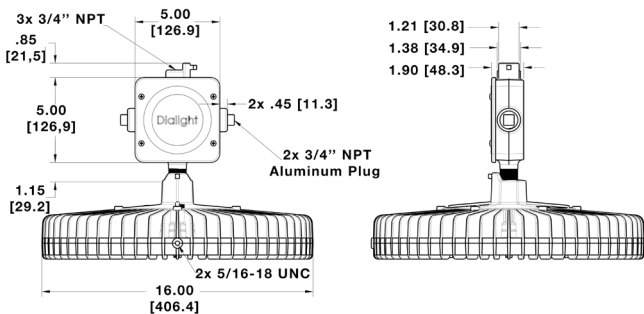
#### Mechanical Information:

**Fixture weight:**  
20 lbs (9 kg)

**Shipping weight:**  
26 lbs (12 kg)

**Mounting:**  
3/4" NPT or Hook

**Wiring Box Cable Entries:**  
(2x) 3/4" NPT



Dimensions in inches (mm)

#### Certifications & Ratings:

10 year warranty

UL 1598/A

UL 8750

IP66/67

CSA C22.2 No. 250.0-08

NEMA 4X

L70 rated for >150,000 hours

#### Variable Dimming:

**Variable Dimming Control:** 0-10 VDC

**Dimming Range:**

10 VDC = 100% light output

0 VDC = <10% light output

#### Occupancy Sensor:

Mounting Height:

Up to 40ft

Ingress Protection:

IP66

#### Electrical Specifications:

**Operating Voltage:**

100-277 VAC, 120-250 VDC

347-480 VAC

**Total system power consumption:**

See table

**Operating Temp:**

-40°F to +149°F (-40°C to +65°C)

**Harmonics:**

IEC 61000-3-2 Class C

**Noise requirement /EMC:**

FCC Title 47, Subpart B, Section 15, class A device. RF Immunity; 10V/m, 80MHz-1GHz

**Transient protection:**

100-277 VAC models tested to withstand up to 8kV/4kA per IEEE C62.41.

347-480 VAC models tested to withstand up to 6kV/3kA per IEEE C62.41

**THD:**

<20%

**Power Factor:**

>0.9

**Fusing:**

Internal

#### Construction:

**Housing:**

Copper free aluminum

**Finish:**

Superior dual coat finish

Sealed polyester topcoat

Chemical-resistant epoxy primer

**Lens:**

See table

#### Photometric Information:

**CRI:**

80

**CCT:**

5000K (cool white)

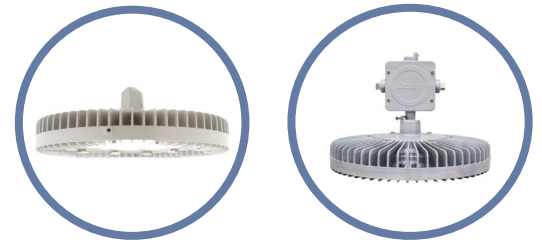
4000K (neutral white)

All values typical unless otherwise stated (tolerance +/- 10%)

**WARNING - INSTALLATION & SECONDARY RETENTION.** Use of any Dialight products without proper installation (including secondary retention / netting) and periodic inspections could cause severe injury or death. Dialight recommends that all installations should use secondary retention / netting (appropriate to the installation environment) where applicable. It is the exclusive responsibility of the contractor, installer and/or end-user to: (a) determine the suitability of the product for its intended application; and, (b) ensure that the product is safely installed (with secondary retention / netting where appropriate) and in compliance with all applicable laws and regulations. To the extent permissible under applicable laws, Dialight disclaims all liability for personal injury and/or other damage resulting from any dislodgment or other dislocation of its products.

# Vigilant® LED High Bay - UL / CSA

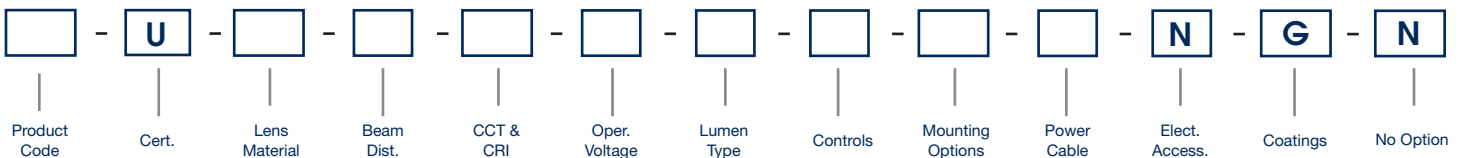
## Corded & Integrated Wiring Box



Project Information	
Part Number:	
Project:	
Fixture Type:	Date:

Specifications

### Ordering Information



Product Code
HC High Bay Integrated Pendant Wiring Box
HE High Bay 3/4" NPT

Beam Distribution
E Oval
M Medium
N Narrow
W Wide

Lumen Type
A 11,600 Lumens
B 14,900 Lumens
C 19,800 Lumens
E 27,500 Lumens

Power Cable
N No Cord (HC only)
W 10' [3 meter] Power Cable (HE only)

Certification
U UL 1598/A, CSA

CCT & CRI
C Cool White 5000K - 80 CRI
N Neutral White 4000K - 80 CRI

Controls
D Dimming (0-10V)
N No Dimming (HE only)
M Occupancy Sensor (HC only)

Electrical Accessories
N No Plug

Lens Material
2 Acrylic - Clear (dry location only)
4 Polycarbonate - Clear
7 Glass - Clear
L Polycarbonate Dome - Diffused
R Power Wash Glass, Clear

Operating Voltage
2 100-277 VAC / 120-250 VDC
5 347-480 VAC

Mounting Options
H Hook
N Pendant 3/4" NPT
P Pendant 3/4" NPT with Safety Retention Tabs
R Safety Retention Tabs with Hook

Coatings
G Gray (RAL 7040)

Option
N No Option

- Notes**
- 1) Lumen type based on using a glass lens. See tables for lumens when changing lenses.
  - 2) When ordering occupancy sensor, use prefix HC.
  - 3) When ordering option HC, Controls = (D) Dimming or (M) Occupancy Sensor.

**DISCLAIMER.** All product information provided is, to the best of Dialight's knowledge, accurate as of the date of publication. When ordering, refer to [www.dialight.com](http://www.dialight.com) for current versions of: (a) relevant product documentation (including the relevant product data sheets); (b) Dialight terms and conditions of sale; and, (c) the relevant product warranty. To the extent that any contract is deemed formed between Dialight and the purchaser of Dialight products and/or an end-user, versions of documents available at [www.dialight.com](http://www.dialight.com) as at the date of sale shall be the versions incorporated therein. In the event of any discrepancy between this document or information provided at [www.dialight.com](http://www.dialight.com), the latter shall prevail.



# Ordering Information

## Vigilant® LED High Bay - Corded Model



### Corded Model - 3/4" Conduit - 100-277 VAC / 120-250 VDC

Part Number	Lumens	Wattage	lm/W	CCT	Lens	Beam Distribution	Hardware Options	Wiring
HEU-7MC2-ENNW-NGN	27,500	185	149	CW	Glass - Clear	Medium	Pendant 3/4" NPT	10' Power Cable
HEU-7MC2-ENPW-NGN	27,500	185	149	CW	Glass - Clear	Medium	Pendant 3/4" NPT with Safety Tabs	10' Power Cable
HEU-7MC2-EDNW-NGN	27,500	185	149	CW	Glass - Clear	Medium	Pendant 3/4" NPT	10' Power Cable
HEU-4MC2-ENNW-NGN	27,200	185	147	CW	Polycarbonate - Clear	Medium	Pendant 3/4" NPT	10' Power Cable
HEU-2MC2-ENNW-NGN	27,200	185	147	CW	Acrylic - Clear	Medium	Pendant 3/4" NPT	10' Power Cable
HEU-LMC2-ENNW-NGN	27,000	185	146	CW	Polycarbonate Dome - Diffused	Medium	Pendant 3/4" NPT	10' Power Cable
HEU-2WC2-ENNW-NGN	27,000	185	146	CW	Acrylic - Clear	Wide	Pendant 3/4" NPT	10' Power Cable
HEU-7MC2-CNNW-NGN	19,800	130	152	CW	Glass - Clear	Medium	Pendant 3/4" NPT	10' Power Cable
HEU-7MC2-CNPW-NGN	19,800	130	152	CW	Glass - Clear	Medium	Pendant 3/4" NPT with Safety Tabs	10' Power Cable
HEU-7MC2-CDNW-NGN	19,800	130	152	CW	Glass - Clear	Medium	Pendant 3/4" NPT	10' Power Cable
HEU-4MC2-CNNW-NGN	19,600	130	151	CW	Polycarbonate - Clear	Medium	Pendant 3/4" NPT	10' Power Cable
HEU-LMC2-CNNW-NGN	19,400	130	149	CW	Polycarbonate Dome - Diffused	Medium	Pendant 3/4" NPT	10' Power Cable
HEU-7MN2-CNNW-NGN	19,400	130	149	NW	Glass - Clear	Medium	Pendant 3/4" NPT	10' Power Cable
HEU-7MC2-BNNW-NGN	14,900	100	149	CW	Glass - Clear	Medium	Pendant 3/4" NPT	10' Power Cable
HEU-4MC2-BNNW-NGN	14,800	100	148	CW	Polycarbonate - Clear	Medium	Pendant 3/4" NPT	10' Power Cable
HEU-LMC2-BNPW-NGN	14,600	100	146	CW	Polycarbonate Dome - Diffused	Medium	Pendant 3/4" NPT with Safety Tabs	10' Power Cable
HEU-LMC2-BNNW-NGN	14,600	100	146	CW	Polycarbonate Dome - Diffused	Medium	Pendant 3/4" NPT	10' Power Cable
HEU-7MC2-ANNW-NGN	11,600	80	145	CW	Glass - Clear	Medium	Pendant 3/4" NPT	10' Power Cable
HEU-4MC2-ANNW-NGN	11,500	80	144	CW	Polycarbonate - Clear	Medium	Pendant 3/4" NPT	10' Power Cable
HEU-2MC2-ANNW-NGN	11,500	80	144	CW	Acrylic - Clear	Medium	Pendant 3/4" NPT	10' Power Cable
HEU-LMC2-ANNW-NGN	11,400	80	143	CW	Polycarbonate Dome - Diffused	Medium	Pendant 3/4" NPT	10' Power Cable

### Corded Model - 3/4" Conduit - 347-480 VAC

HEU-7MC5-EDNW-NGN	27,500	185	149	CW	Glass - Clear	Medium	Pendant 3/4" NPT	10' Power Cable
HEU-7MC5-ENNW-NGN	27,500	185	149	CW	Glass - Clear	Medium	Pendant 3/4" NPT	10' Power Cable
HEU-7MC5-ENPW-NGN	27,500	185	149	CW	Glass - Clear	Medium	Pendant 3/4" NPT with Safety Tabs	10' Power Cable
HEU-4MC5-ENPW-NGN	27,200	185	147	CW	Polycarbonate - Clear	Medium	Pendant 3/4" NPT with Safety Tabs	10' Power Cable
HEU-7WC5-ENPW-NGN	27,200	185	147	CW	Glass - Clear	Wide	Pendant 3/4" NPT with Safety Tabs	10' Power Cable
HEU-7EC5-ENNW-NGN	25,900	185	140	CW	Glass - Clear	Oval	Pendant 3/4" NPT	10' Power Cable
HCU-4EC5-EMNW-NGN	25,600	185	138	CW	Polycarbonate - Clear	Oval	Pendant 3/4" NPT	10' Power Cable
HEU-7MC5-CDNW-NGN	19,800	130	152	CW	Glass - Clear	Medium	Pendant 3/4" NPT	10' Power Cable
HEU-7MC5-CNHW-NGN	19,800	130	152	CW	Glass - Clear	Medium	Hook	10' Power Cable
HEU-7MC5-CNNW-NGN	19,800	130	152	CW	Glass - Clear	Medium	Pendant 3/4" NPT	10' Power Cable
HEU-LMC5-CNNW-NGN	19,400	130	149	CW	Polycarbonate Dome - Diffused	Medium	Pendant 3/4" NPT	10' Power Cable
HEU-7MC5-BNNW-NGN	14,900	100	149	CW	Glass - Clear	Medium	Pendant 3/4" NPT	10' Power Cable
HEU-7MC5-ADNW-NGN	11,600	80	145	CW	Glass - Clear	Medium	Pendant 3/4" NPT	10' Power Cable
HEU-7MC5-ANNW-NGN	11,600	80	145	CW	Glass - Clear	Medium	Pendant 3/4" NPT	10' Power Cable
HEU-4MC5-ADNW-NGN	11,500	80	144	CW	Polycarbonate - Clear	Medium	Pendant 3/4" NPT	10' Power Cable
HEU-LMC5-ANNW-NGN	11,400	80	143	CW	Polycarbonate Dome - Diffused	Medium	Pendant 3/4" NPT	10' Power Cable

All values typical unless otherwise stated (tolerance +/- 10%)

0-10V dimming option available for products in the above table. Replace the ninth character **N** with **D**. Ex: HEU-7MC2-ENNW-NGN becomes HEU-7MC2-EDNW-NGN.

Acrylic lens is dry location only.

**DISCLAIMER.** All product information provided is, to the best of Dialight's knowledge, accurate as of the date of publication. When ordering, refer to [www.dialight.com](http://www.dialight.com) for current versions of: (a) relevant product documentation (including the relevant product data sheets); (b) Dialight terms and conditions of sale; and, (c) the relevant product warranty. To the extent that any contract is deemed formed between Dialight and the purchaser of Dialight products and/or an end-user, versions of documents available at [www.dialight.com](http://www.dialight.com) as at the date of sale shall be the versions incorporated therein. In the event of any discrepancy between this document or information provided at [www.dialight.com](http://www.dialight.com), the latter shall prevail.

# Ordering Information

## Vigilant® LED High Bay - Integrated Wiring Box Model



Integrated Wiring Box Model - 3/4" Conduit - 100-277 VAC / 120-250 VDC

Part Number	Lumens	Wattage	lm/W	CCT	Lens	Beam Distribution	Hardware Options	Wiring
HCU-7MC2-EDNN-NGN	27,500	185	149	CW	Glass - Clear	Medium	Wiring Box	Wiring Box
HCU-7MC2-EMNN-NGN	27,500	185	149	CW	Glass - Clear	Medium	Wiring Box	Wiring Box
HCU-LMC2-EMNN-NGN	27,000	185	146	CW	Polycarbonate Dome - Diffused	Medium	Wiring Box	Wiring Box
HCU-LMC2-EDNN-NGN	27,000	185	146	CW	Polycarbonate Dome - Diffused	Medium	Wiring Box	Wiring Box
HCU-7MC2-CDNN-NGN	19,800	130	152	CW	Glass - Clear	Medium	Wiring Box	Wiring Box
HCU-7MC2-CMNN-NGN	19,800	130	152	CW	Glass - Clear	Medium	Wiring Box	Wiring Box
HCU-LMC2-CDNN-NGN	19,400	130	149	CW	Polycarbonate Dome - Diffused	Medium	Wiring Box	Wiring Box
HCU-LMC2-CMNN-NGN	19,400	130	149	CW	Polycarbonate Dome - Diffused	Medium	Wiring Box	Wiring Box
HCU-7MC2-BDNN-NGN	14,900	100	149	CW	Glass - Clear	Medium	Wiring Box	Wiring Box
HCU-7MC2-BMNN-NGN	14,900	100	149	CW	Glass - Clear	Medium	Wiring Box	Wiring Box
HCU-LMC2-BDNN-NGN	14,600	100	146	CW	Polycarbonate Dome - Diffused	Medium	Wiring Box	Wiring Box
HCU-LMC2-BMNN-NGN	14,600	100	146	CW	Polycarbonate Dome - Diffused	Medium	Wiring Box	Wiring Box
HCU-7MC2-ADNN-NGN	11,600	80	145	CW	Glass - Clear	Medium	Wiring Box	Wiring Box
HCU-7MC2-AMNN-NGN	11,600	80	145	CW	Glass - Clear	Medium	Wiring Box	Wiring Box
HCU-LMC2-ADNN-NGN	11,400	80	143	CW	Polycarbonate Dome - Diffused	Medium	Wiring Box	Wiring Box
HCU-LMC2-AMNN-NGN	11,400	80	143	CW	Polycarbonate Dome - Diffused	Medium	Wiring Box	Wiring Box

All values typical unless otherwise stated (tolerance +/- 10%)

**DISCLAIMER.** All product information provided is, to the best of Dialight's knowledge, accurate as of the date of publication. When ordering, refer to [www.dialight.com](http://www.dialight.com) for current versions of: (a) relevant product documentation (including the relevant product data sheets); (b) Dialight terms and conditions of sale; and, (c) the relevant product warranty. To the extent that any contract is deemed formed between Dialight and the purchaser of Dialight products and/or an end-user, versions of documents available at [www.dialight.com](http://www.dialight.com) as at the date of sale shall be the versions incorporated therein. In the event of any discrepancy between this document or information provided at [www.dialight.com](http://www.dialight.com), the latter shall prevail.

# Vigilant® LED High Bay - UL / CSA

## Passive Power Supply Model - 347 & 480 VAC



**Mechanical Information:**

**Fixture weight:**  
40 lbs (18 kg)

**Shipping weight:**  
45 lbs (20 kg)

**Mounting:**  
3/4" NPT - top  
Various Kits

**Power cord:**  
10" 18 AWG ST00W/SOOW  
Patent pending

**Certifications & Ratings:**

10 year warranty  
UL 1598/A  
UL 8750  
IP66

CSA C22.2 No. 250.0-08  
NEMA 4X  
L70 rated for >150,000 hours

**Electrical Specifications:**

**Operating Voltage:** 347 or 480 VAC

**Total system power consumption:** See table

**Operating Temp:** -40°F to +149°F (-40°C to +65°C)

**Harmonics:** IEC 61000-3-2 Class C

**Noise requirement /EMC:** FCC Title 47, Subpart B, Section 15, class A device. RF Immunity; 10V/m, 80MHz-1GHz

**Transient protection:** Protection devices capable of handling up to 10kV. Tested for 10kV/2 ohm combination wave, as per IEEE C62.41, line-line and line ground

**THD:** <20%

**Fusing:** Internal

**Construction:**

**Housing:** Copper free aluminum

**Finish:** Superior dual coat finish  
Sealed polyester topcoat  
Chemical-resistant epoxy primer

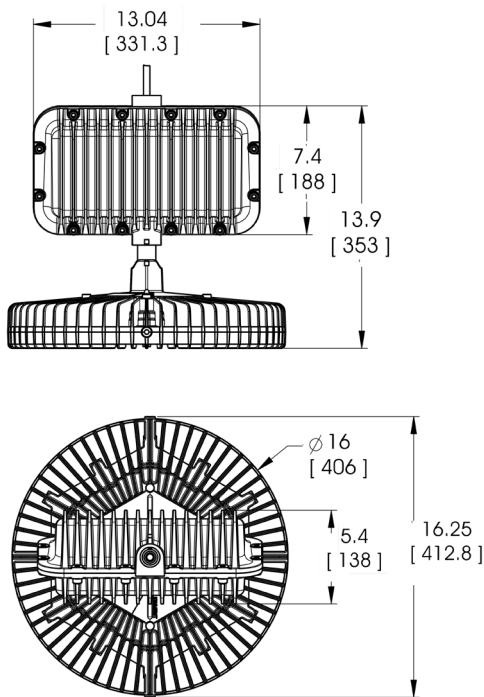
**Lens:** See table

**Photometric Information:**

**CRI:** 80

**CCT:** 5000K (cool white)  
4000K (neutral white)

All values typical unless otherwise stated (tolerance +/- 10%)



Dimensions in inches (mm)

**WARNING - INSTALLATION & SECONDARY RETENTION.** Use of any Dialight products without proper installation (including secondary retention / netting) and periodic inspections could cause severe injury or death. Dialight recommends that all installations should use secondary retention / netting (appropriate to the installation environment) where applicable. It is the exclusive responsibility of the contractor, installer and/or end-user to: (a) determine the suitability of the product for its intended application; and, (b) ensure that the product is safely installed (with secondary retention / netting where appropriate) and in compliance with all applicable laws and regulations. To the extent permissible under applicable laws, Dialight disclaims all liability for personal injury and/or other damage resulting from any dislodgment or other dislocation of its products.

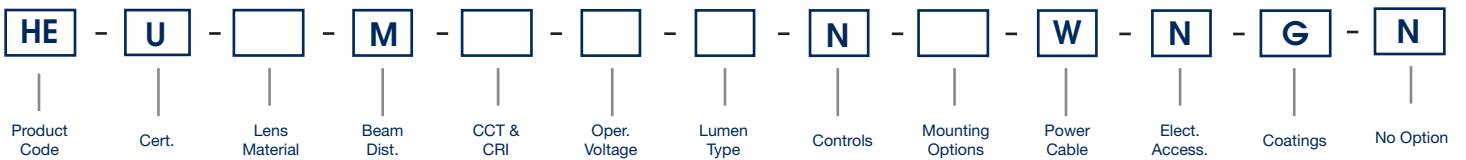
# Vigilant® LED High Bay - UL / CSA

## Passive Power Supply Model - 347 & 480 VAC



Project Information		Specifications	
Part Number:			
Project:			
Fixture Type:		Date:	

### Ordering Information



<b>Product Code</b> HE High Bay	<b>Beam Distribution</b> M Medium	<b>Lumen Type</b> A 11,300 Lumens B 14,300 Lumens C 18,000 Lumens E 27,000 Lumens	<b>Power Cable</b> W 10' (3 meter) Power Cable
<b>Certification</b> U UL 1598/A, CSA	<b>CCT &amp; CRI</b> C Cool White 5000K - 80 CRI N Neutral White 4000K - 80 CRI	<b>Controls</b> N No Option	<b>Electrical Accessories</b> N No Plug
<b>Lens Material</b> 7 Glass - Clear L Polycarbonate Dome - Diffused R Power Wash Glass, Clear	<b>Operating Voltage</b> P 480 VAC Passive Q 347 VAC Passive	<b>Mounting Options</b> H Hook N Pendant 3/4" NPT P Pendant 3/4" NPT with Safety Retention Tabs R Safety Retention Tabs with Hook	<b>Coatings</b> G Gray (RAL 7040)
			<b>Option</b> N No Option

**Notes**

1) Lumen type based on using a glass lens. See tables for lumens when changing lenses.

**DISCLAIMER.** All product information provided is, to the best of Dialight's knowledge, accurate as of the date of publication. When ordering, refer to [www.dialight.com](http://www.dialight.com) for current versions of: (a) relevant product documentation (including the relevant product data sheets); (b) Dialight terms and conditions of sale; and, (c) the relevant product warranty. To the extent that any contract is deemed formed between Dialight and the purchaser of Dialight products and/or an end-user, versions of documents available at [www.dialight.com](http://www.dialight.com) as at the date of sale shall be the versions incorporated therein. In the event of any discrepancy between this document or information provided at [www.dialight.com](http://www.dialight.com), the latter shall prevail.



# Ordering Information

## Vigilant® LED High Bay - Passive Power Supply Model



### Passive Power Supply Model - 347 VAC

Part Number	Lumens	Wattage	lm/W	CCT	Lens	Beam Distribution	Hardware Options	Wiring
HEU-7MCQ-ENNW-NGN	27,000	206	131	CW	Glass - Clear	Medium	Pendant 3/4" NPT	10' Power Cable
HEU-7MCQ-CNNW-NGN	18,000	136	132	CW	Glass - Clear	Medium	Pendant 3/4" NPT	10' Power Cable
HEU-7MCQ-BNNW-NGN	14,300	100	143	CW	Glass - Clear	Medium	Pendant 3/4" NPT	10' Power Cable
HEU-7MCQ-ANNW-NGN	11,300	81	140	CW	Glass - Clear	Medium	Pendant 3/4" NPT	10' Power Cable

### Passive Power Supply Model - 480 VAC

HEU-7MCP-ENNW-NGN	27,000	206	131	CW	Glass - Clear	Medium	Pendant 3/4" NPT	10' Power Cable
HEU-7MCP-CNNW-NGN	18,000	129	140	CW	Glass - Clear	Medium	Pendant 3/4" NPT	10' Power Cable
HEU-7MCP-BNNW-NGN	14,300	116	123	CW	Glass - Clear	Medium	Pendant 3/4" NPT	10' Power Cable
HEU-7MCP-ANNW-NGN	11,300	73	155	CW	Glass - Clear	Medium	Pendant 3/4" NPT	10' Power Cable

All values typical unless otherwise stated (tolerance +/- 10%)

**DISCLAIMER.** All product information provided is, to the best of Dialight's knowledge, accurate as of the date of publication. When ordering, refer to [www.dialight.com](http://www.dialight.com) for current versions of: (a) relevant product documentation (including the relevant product data sheets); (b) Dialight terms and conditions of sale; and, (c) the relevant product warranty. To the extent that any contract is deemed formed between Dialight and the purchaser of Dialight products and/or an end-user, versions of documents available at [www.dialight.com](http://www.dialight.com) as at the date of sale shall be the versions incorporated therein. In the event of any discrepancy between this document or information provided at [www.dialight.com](http://www.dialight.com), the latter shall prevail.

# Vigilant® LED Low Bay - UL / CSA

## Corded Model & Integrated Wiring Box Model

### Corded Model



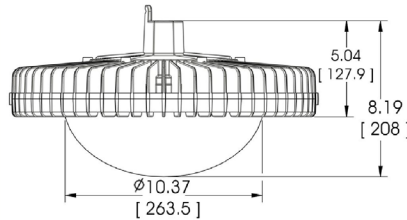
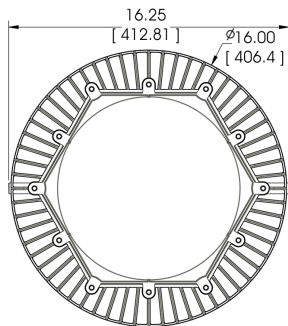
#### Mechanical Information:

**Fixture weight:**  
18 lbs (8.16kg)

**Shipping weight:**  
24 lbs (10.8kg)

**Mounting:**  
3/4" NPT - top  
Various Kits

**Power Cord:**  
10' 18 AWG ST00W/S00W



#### Certifications & Ratings:

10 year warranty  
UL 1598/A  
UL 8750  
IP66/67  
CSA C22.2 No. 250.0-08  
NEMA 4X  
L70 rated for >150,000 hours

#### Variable Dimming:

**Variable Dimming Control:** 0-10 VDC

**Dimming Range:** 10 VDC = 100% light output  
0 VDC = <10% light output

#### Occupancy Sensor:

**Mounting Height:** Up to 40ft  
**Ingress Protection:** IP66

#### Electrical Specifications:

**Operating Voltage:** 100-277 VAC (120-250 VDC)  
347-480 VAC

**Total system power consumption:** See table

**Operating Temp:** -40°F to +149°F (-40°C to +65°C)

**Harmonics:** IEC 61000-3-2 Class C

**Noise requirement /EMC:** FCC Title 47, Subpart B, Section 15, class A device. RF Immunity; 10V/m, 80MHz-1GHz

**Transient protection:** 100-277 VAC models tested to withstand up to 8kV/4kA per IEEE C62.41  
347-480VAC models tested to withstand up to 6kV/3kA per IEEE C62.41

**THD:** 6k-18k lm models: <20%  
4k lm models: <30%

**Power Factor:** >0.9

**Fusing:** Internal

#### Construction:

**Housing:** Copper free aluminum

**Finish:** Superior dual coat finish  
Sealed polyester topcoat  
Chemical-resistant epoxy primer

**Lens:** See table

#### Photometric Information:

**CRI:** 80

**CCT:** 5000K (cool white)  
4000K (neutral white)

All values typical unless otherwise stated (tolerance +/- 10%)

### Integrated Wiring Box Model



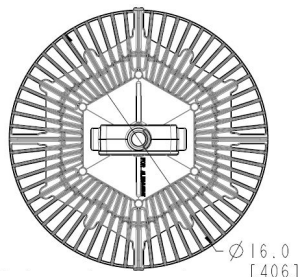
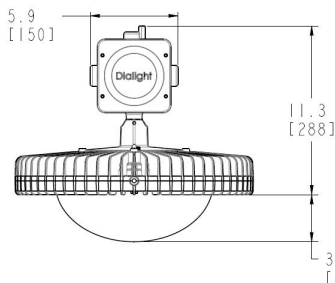
#### Mechanical Information:

**Fixture weight:**  
20 lbs (9 kg)

**Shipping weight:**  
26 lbs (12 kg)

**Mounting:**  
3/4" NPT or Hook  
Various Kits

**Wiring Box Cable Entries:**  
(2x) 3/4" NPT

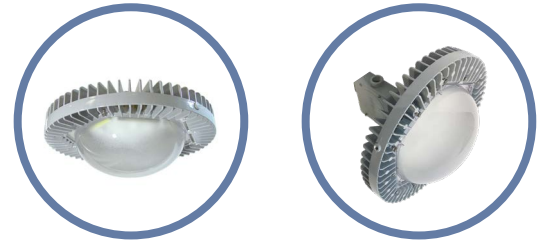


Dimensions in inches (mm)

**WARNING - INSTALLATION & SECONDARY RETENTION.** Use of any Dialight products without proper installation (including secondary retention / netting) and periodic inspections could cause severe injury or death. Dialight recommends that all installations should use secondary retention / netting (appropriate to the installation environment) where applicable. It is the exclusive responsibility of the contractor, installer and/or end-user to: (a) determine the suitability of the product for its intended application; and, (b) ensure that the product is safely installed (with secondary retention / netting where appropriate) and in compliance with all applicable laws and regulations. To the extent permissible under applicable laws, Dialight disclaims all liability for personal injury and/or other damage resulting from any dislodgment or other dislocation of its products.

# Vigilant® LED Low Bay - UL / CSA

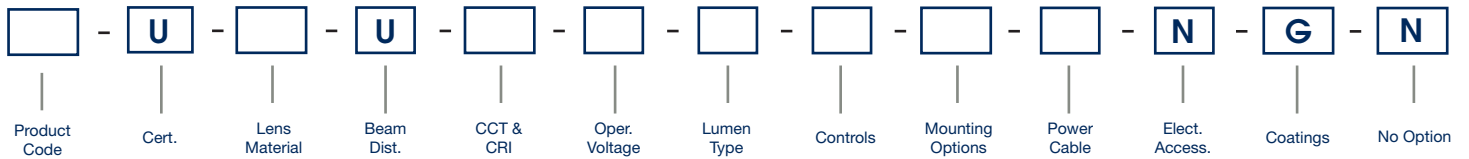
## Corded & Integrated Wiring Box



Project Information	
Part Number:	
Project:	
Fixture Type:	Date:

Specifications

### Ordering Information



Product Code	Beam Distribution	Lumen Type	Power Cable
LC Low Bay Integrated Wiring Box	U Ultra Wide	4 3,900 Lumens (100-277V only)	N No Cord (LC only)
LE Low Bay		6 6,400 Lumens (100-277V only)	W 10' [3 meter] Power Cable (LE only)
		9 9,200 Lumens	
		B 13,200 Lumens	
		C 17,200 Lumens	
Certification	CCT & CRI	Controls	Electrical Accessories
U UL 1598/A	C Cool White 5000K - 80 CRI	D Dimming (0-10V)	N No Plug
	N Neutral White 4000K - 80 CRI	M Occupancy Sensor (LC only)	
		N No Option (LE only)	
Lens Material	Operating Voltage	Mounting Options	Coatings
2 Acrylic - Clear (dry location only)	2 100-277 VAC / 120-250 VDC	H Hook	G Gray (RAL 7040)
3 Acrylic - Diffused (dry location only)	5 347-480 VAC	N Pendant 3/4" NPT	
4 Polycarbonate - Clear		P Pendant 3/4" NPT with Safety Retention Tabs	
5 Polycarbonate - Diffused		R Safety Retention Tabs with Hook	
L Polycarbonate Dome - Diffused			Option
			N No Option

Notes
1) Lumen type based on using a polycarbonate dome lens. See tables for lumens when changing lenses.
2) Acrylic lens dry location only.
3) When ordering occupancy sensor, use prefix LC.

**DISCLAIMER.** All product information provided is, to the best of Dialight's knowledge, accurate as of the date of publication. When ordering, refer to [www.dialight.com](http://www.dialight.com) for current versions of: (a) relevant product documentation (including the relevant product data sheets); (b) Dialight terms and conditions of sale; and, (c) the relevant product warranty. To the extent that any contract is deemed formed between Dialight and the purchaser of Dialight products and/or an end-user, versions of documents available at [www.dialight.com](http://www.dialight.com) as at the date of sale shall be the versions incorporated therein. In the event of any discrepancy between this document or information provided at [www.dialight.com](http://www.dialight.com), the latter shall prevail.

# Ordering Information

## Vigilant® LED Low Bay - Corded Model



Corded Model - 3/4" Conduit - 100-277 VAC / 120-250 VDC								
Part Number	Lumens	Wattage	lm/W	CCT	Lens	Beam Distribution	Hardware Options	Power Cable
LEU-LUC2-9NNW-NGN	9,200	78	118	CW	Polycarbonate Dome - Diffused	Ultra Wide	Pendant 3/4" NPT	10' Power Cable
LEU-LUC2-9NPW-NGN	9,200	78	118	CW	Polycarbonate Dome - Diffused	Ultra Wide	Pendant 3/4" NPT with Safety Tabs	10' Power Cable
LEU-LUC2-6NNW-NGN	6,400	50	128	CW	Polycarbonate Dome - Diffused	Ultra Wide	Pendant 3/4" NPT	10' Power Cable
LEU-LUC2-4NNW-NGN	3,900	38	103	CW	Polycarbonate Dome - Diffused	Ultra Wide	Pendant 3/4" NPT	10' Power Cable
Corded Model - 3/4" Conduit - 347-480 VAC								
LEU-LUC5-9NNW-NGN	9,200	78	118	CW	Polycarbonate Dome - Diffused	Ultra Wide	Pendant 3/4" NPT	10' Power Cable
LEU-LUC5-9DNW-NGN	9,200	78	118	CW	Polycarbonate Dome - Diffused	Ultra Wide	Pendant 3/4" NPT	10' Power Cable

All values typical unless otherwise stated (tolerance +/- 10%)

0-10V dimming option available for products in the above table. Replace the ninth character **N** with **D**. Ex: LEU-LUC2-9**N**NW-NGN becomes LEU-LUC2-9**D**NW-NGN.

# Ordering Information

## Vigilant® LED Low Bay - Integrated Wiring Box Model



Integrated Wiring Box Model - 100-277 VAC / 120-250 VDC								
Part Number	Lumens	Wattage	lm/W	CCT	Lens	Beam Distribution	Hardware Options	Power Cable
LCU-LUC2-9DNW-NGN	9,200	78	118	CW	Polycarbonate Dome - Diffused	Ultra Wide	Wiring Box	Wiring Box
LCU-LUC2-6MNW-NGN	6,400	50	128	CW	Polycarbonate Dome - Diffused	Ultra Wide	Wiring Box	Wiring Box
LCU-LUC2-4MNW-NGN	3,900	38	103	CW	Polycarbonate Dome - Diffused	Ultra Wide	Wiring Box	Wiring Box

All values typical unless otherwise stated (tolerance +/- 10%)

Specification sheets with additional options available, with extended lead times, are available on page 10

**DISCLAIMER.** All product information provided is, to the best of Dialight's knowledge, accurate as of the date of publication. When ordering, refer to [www.dialight.com](http://www.dialight.com) for current versions of: (a) relevant product documentation (including the relevant product data sheets); (b) Dialight terms and conditions of sale; and, (c) the relevant product warranty. To the extent that any contract is deemed formed between Dialight and the purchaser of Dialight products and/or an end-user, versions of documents available at [www.dialight.com](http://www.dialight.com) as at the date of sale shall be the versions incorporated therein. In the event of any discrepancy between this document or information provided at [www.dialight.com](http://www.dialight.com), the latter shall prevail.

# Vigilant® LED High Bay

## Lumen Tables

Vigilant High Bay 100-277 VAC, 120-250 VDC and 347-480 VAC

Output	Wattage	Lens	Lens Material	Lumens 5000K CCT	Lumens 4000K CCT	Lumens 2700K CCT
E	185	7, R	Glass	27,500	26,900	23,400
	185	2, T	Acrylic	27,200	26,600	23,100
	185	4, V	Polycarbonate	27,200	26,600	23,100
	185	3, U	Acrylic Diffused	27,000	26,400	23,000
	185	5, W	Polycarbonate Diffused	27,000	26,400	23,000
	185	L, Z	Polycarbonate Dome Diffused	26,700	26,100	22,700
	185	8, S	Glass Diffused	25,400	24,900	21,600
C	130	7, R	Glass	19,800	19,400	16,800
	130	2, T	Acrylic	19,600	19,200	16,700
	130	4, V	Polycarbonate	19,600	19,200	16,700
	130	3, U	Acrylic Diffused	19,400	19,000	16,500
	130	5, W	Polycarbonate Diffused	19,400	19,000	16,500
	130	L, Z	Polycarbonate Dome Diffused	19,200	18,800	16,300
	130	8, S	Glass Diffused	18,300	17,900	15,600
B	100	7, R	Glass	14,900	14,600	12,700
	100	2, T	Acrylic	14,800	14,500	12,600
	100	4, V	Polycarbonate	14,800	14,500	12,600
	100	3, U	Acrylic Diffused	14,600	14,300	12,400
	100	5, W	Polycarbonate Diffused	14,600	14,300	12,400
	100	L, Z	Polycarbonate Dome Diffused	14,500	14,200	12,300
	100	8, S	Glass Diffused	13,700	13,400	11,600
A	80	7, R	Glass	11,600	11,400	9,900
	80	2, T	Acrylic	11,500	11,300	9,800
	80	4, V	Polycarbonate	11,500	11,300	9,800
	80	3, U	Acrylic Diffused	11,400	11,200	9,700
	80	5, W	Polycarbonate Diffused	11,400	11,200	9,700
	80	L, Z	Polycarbonate Dome Diffused	11,300	11,100	9,600
	80	8, S	Glass Diffused	10,700	10,500	9,100

Passive Power Supply

Output	Wattage 347 VAC	Wattage 480 VAC	Lens	Lens Material	Lumens 5000K CCT	Lumens 4000K CCT	Lumens 2700K CCT
E	206	206	7, R	Glass	27,000	26,400	23,000
	206	206	L, Z	Polycarbonate Dome Diffused	25,000	24,500	21,300
	206	206	8, S	Glass Diffused	23,800	23,300	20,200
C	136	129	7, R	Glass	18,000	17,600	15,300
	136	129	L, Z	Polycarbonate Dome Diffused	16,800	16,400	14,300
	136	129	8, S	Glass Diffused	15,800	15,500	13,400
B	100	116	7, R	Glass	14,300	14,000	12,200
	100	116	L, Z	Polycarbonate Dome Diffused	13,300	13,000	11,300
	100	116	8, S	Glass Diffused	12,500	12,200	10,600
A	81	73	7, R	Glass	11,300	11,100	9,600
	81	73	L, Z	Polycarbonate Dome Diffused	10,300	10,100	8,800
	81	73	8, S	Glass Diffused	9,800	9,600	8,300

**DISCLAIMER.** All product information provided is, to the best of Dialight's knowledge, accurate as of the date of publication. When ordering, refer to [www.dialight.com](http://www.dialight.com) for current versions of: (a) relevant product documentation (including the relevant product data sheets); (b) Dialight terms and conditions of sale; and, (c) the relevant product warranty. To the extent that any contract is deemed formed between Dialight and the purchaser of Dialight products and/or an end-user, versions of documents available at [www.dialight.com](http://www.dialight.com) as at the date of sale shall be the versions incorporated therein. In the event of any discrepancy between this document or information provided at [www.dialight.com](http://www.dialight.com), the latter shall prevail.



# Vigilant® LED Low Bay

## Lumen Tables

Vigilant Low Bay 100-277 VAC, 120-250 VDC and 347-480 VAC						
Output	Wattage	Lens	Lens Material	Lumens 5000K CCT	Lumens 4000K CCT	Lumens 2700K CCT
C	150	2, T	Acrylic	17,500	17,100	14,900
	150	4, V	PC	17,400	17,000	14,800
	150	L, Z	Poly Dome	17,200	16,800	14,600
	150	5, W	Polycarbonate Diffused	17,300	16,900	14,700
	150	3, U	Acrylic Diffused	17,300	16,900	14,700
B	112	2, T	Acrylic	13,400	13,100	11,400
	112	4, V	PC	13,300	13,000	11,300
	112	L, Z	Poly Dome	13,200	12,900	11,200
	112	5, W	Polycarbonate Diffused	13,200	12,900	11,200
	112	3, U	Acrylic Diffused	13,200	12,900	11,200
9	78	2, T	Acrylic	9,400	9,200	8,000
	78	4, V	PC	9,300	9,100	7,900
	78	L, Z	Poly Dome	9,200	9,000	7,800
	78	5, W	Polycarbonate Diffused	9,300	9,100	7,900
	78	3, U	Acrylic Diffused	9,300	9,100	7,900
6	50	2, T	Acrylic	6,500	6,400	5,500
	50	4, V	PC	6,400	6,300	5,400
	50	L, Z	Poly Dome	6,400	6,300	5,400
	50	5, W	Polycarbonate Diffused	6,400	6,300	5,400
	50	3, U	Acrylic Diffused	6,400	6,300	5,400
4	38	2, T	Acrylic	4,000	3,900	3,400
	38	4, V	PC	4,000	3,900	3,400
	38	L, Z	Poly Dome	3,900	3,800	3,300
	38	5, W	Polycarbonate Diffused	3,900	3,800	3,300
	38	3, U	Acrylic Diffused	3,900	3,800	3,300

**DISCLAIMER.** All product information provided is, to the best of Dialight's knowledge, accurate as of the date of publication. When ordering, refer to [www.dialight.com](http://www.dialight.com) for current versions of: (a) relevant product documentation (including the relevant product data sheets); (b) Dialight terms and conditions of sale; and, (c) the relevant product warranty. To the extent that any contract is deemed formed between Dialight and the purchaser of Dialight products and/or an end-user, versions of documents available at [www.dialight.com](http://www.dialight.com) as at the date of sale shall be the versions incorporated therein. In the event of any discrepancy between this document or information provided at [www.dialight.com](http://www.dialight.com), the latter shall prevail.

# Vigilant® LED High Bay / Low Bay 100-277 VAC

## Mounting Accessories



**HBXW3-SSL-316**  
**HBXW3-SSL-304**

- Stainless steel bracket



**HBXCAB48**

- 48" long stainless steel safety rope (for use with safety bracket)



**HBXH**

- Hook

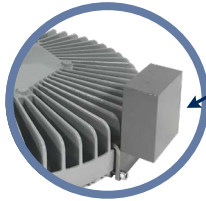


**HBXW3-SSL-304FT**

- 304 stainless steel forward throw bracket

**HBXW3-SSL-316FT**

- 316 Stainless steel forward throw bracket



**HBXCBOCCFSPG**  
**HBXCBOCCFSPK**

(Counter Balance Occ)

- Powder Coated Steel
- Stainless Steel



**HBXL**

- Loop



**HBXW2**

- Swivel bracket and cable gland

**HBXW3**

- Swivel bracket



**HBXSB316**

- Stainless Steel (4x)



**HBXCG**

- Cable gland



**HBXCU**

- Ceiling / wall mount



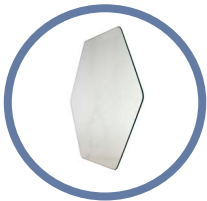
**LBXLENP**

- Polycarbonate dome lens replacement



**HBXDUALBRCKT**

- Dual bracket



**HBXLENGC**

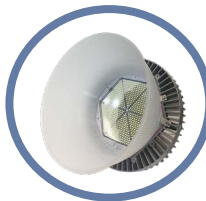
- Clear tempered glass

**HBXLENPC**

- Polycarbonate lens, clear

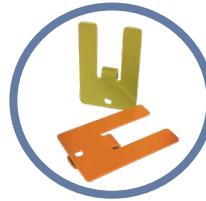
**HBXLENAC**

- Acrylic lens, clear



**HBXREF16**

- Acrylic reflector



**HBXFLAG-Y**  
**HBXFLAG-O**

- Yellow Aluminum
- Orange Aluminum
- Comes with 10 indicator flags



**HBXLENPD**

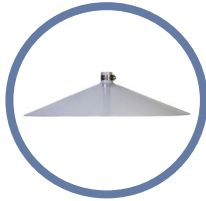
- Polycarbonate lens, diffused

**HBXLENAD**

- Acrylic lens, diffused

**HBXLENGD**

- Diffused tempered glass



**HBXDC**

- 21° slope dust cover

**HBXDC45**

- 45° slope dust cover

**HBXDC60**

- 60° slope dust cover



**HBXFSIRREMOTE**

- Remote for occupancy sensor

**Notes**

- 1) HBXLENGC Not applicable for Low Bay (Ultra Wide)

**DISCLAIMER.** All product information provided is, to the best of Dialight's knowledge, accurate as of the date of publication. When ordering, refer to [www.dialight.com](http://www.dialight.com) for current versions of: (a) relevant product documentation (including the relevant product data sheets); (b) Dialight terms and conditions of sale; and, (c) the relevant product warranty. To the extent that any contract is deemed formed between Dialight and the purchaser of Dialight products and/or an end-user, versions of documents available at [www.dialight.com](http://www.dialight.com) as at the date of sale shall be the versions incorporated therein. In the event of any discrepancy between this document or information provided at [www.dialight.com](http://www.dialight.com), the latter shall prevail.

# Vigilant® LED High Bay 347V & 480V Passive - UL / CSA

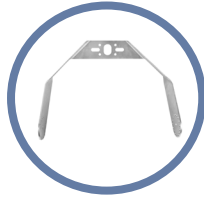


**HLXW2**

- Stainless steel swivel bracket and cable gland

**HLXW3**

- Stainless steel swivel bracket



**HBXW3-SSL-316FT**  
**HBXW3-SSL-304FT**

- Stainless steel forward throw bracket



**HBXH**

- Hook



**HBXCU**

- Ceiling / wall mount



**HBXCG**

- Cable gland



**HBXL**

- Loop



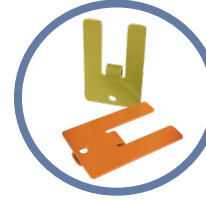
**HBXSB**

- Stainless Steel (4x)



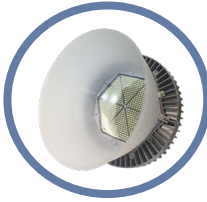
**HBXCAB48**

- 48" long stainless steel safety rope (for use with safety bracket)



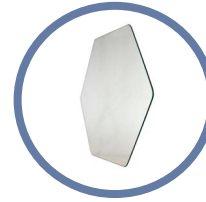
**HBXFLAG-Y**  
**HBXFLAG-O**

- Yellow Aluminum
- Orange Aluminum



**HBXREF16**

- Acrylic reflector



**HBXLENGC**

- Clear tempered glass

**LBXLENP**

- Polycarbonate dome lens

**DISCLAIMER.** All product information provided is, to the best of Dialight's knowledge, accurate as of the date of publication. When ordering, refer to [www.dialight.com](http://www.dialight.com) for current versions of: (a) relevant product documentation (including the relevant product data sheets); (b) Dialight terms and conditions of sale; and, (c) the relevant product warranty. To the extent that any contract is deemed formed between Dialight and the purchaser of Dialight products and/or an end-user, versions of documents available at [www.dialight.com](http://www.dialight.com) as at the date of sale shall be the versions incorporated therein. In the event of any discrepancy between this document or information provided at [www.dialight.com](http://www.dialight.com), the latter shall prevail.

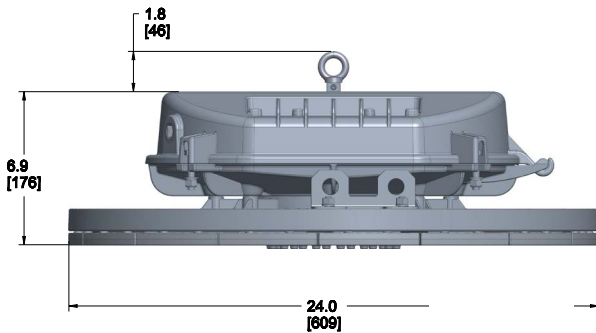
# Vigilant® LED High Output High Bay - Low Profile

## Standard Models



### Certifications & Ratings

- 10 year warranty
- UL 1598/A (wet locations)
- CSA C22.2 No. 250 (wet locations)
- IP66/67
- IK10 (polycarbonate) / IK06 (glass)
- L70 > 150,000 hours
- DLC Premium on most models
- Factory installed secondary retention bracket, optional safety cable accessory available



Dimensions in inches [mm]

### Mechanical Information:

<b>Weight (120-277 VAC):</b>	48 lbs (21.8 kg)
<b>Weight (347/480 VAC):</b>	49 lbs (22.2 kg)
<b>Shipping weight:</b>	62 lbs (28.1 kg)
<b>Mounting:</b>	(1) ¾" NPT Hook
<b>Entries:</b>	(1) ¾" NPT – top (2) ¾" NPT – sides

### Variable Dimming Option:

<b>Variable Dimming Cable:</b>	Two conductor cable
<b>Power Cable:</b>	Three conductor cable
<b>Variable Dimming Control:</b>	0-10 VDC
<b>Dimming Range:</b>	10 VDC = 100% light output 0 VDC = off

### Electrical Specifications:

<b>Operating Voltage:</b>	120-277 VAC, 50/60Hz 347 VAC, 50/60Hz 480 VAC, 50/60Hz
<b>Total system power consumption:</b>	See table
<b>Operating Temp:</b>	-40°F to +149°F (-40°C to +65°C)
<b>Harmonics:</b>	IEC 61000-3-2 Class C
<b>Noise requirement /EMC:</b>	FCC Title 47, Subpart B, Section 15, class A device. RF Immunity; 10V/m, 80MHz-1GHz
<b>Transient protection:</b>	6kV/3kA combination wave, as per IEEE C62.41, line-line and line-ground
<b>THD:</b>	< 20%
<b>Power Factor:</b>	> 0.9

### Construction:

<b>Housing:</b>	Copper free aluminum
<b>Finish:</b>	Superior dual coat finish - Sealed polyester topcoat - Chemical-resistant epoxy primer
<b>Lens Options:</b>	Glass, Acrylic or Polycarbonate

### Photometric Information:

<b>CRI:</b>	80
<b>CCT:</b>	5000K (cool white) 4000K (neutral white)

All values typical unless otherwise stated (tolerance +/- 10%)

**WARNING - INSTALLATION & SECONDARY RETENTION.** Use of any Dialight products without proper installation (including secondary retention / netting) and periodic inspections could cause severe injury or death. Dialight recommends that all installations should use secondary retention / netting (appropriate to the installation environment) where applicable. It is the exclusive responsibility of the contractor, installer and/or end-user to: (a) determine the suitability of the product for its intended application; and, (b) ensure that the product is safely installed (with secondary retention / netting where appropriate) and in compliance with all applicable laws and regulations. To the extent permissible under applicable laws, Dialight disclaims all liability for personal injury and/or other damage resulting from any dislodgment or other dislocation of its products.

# Vigilant® LED High Output High Bay - Low Profile

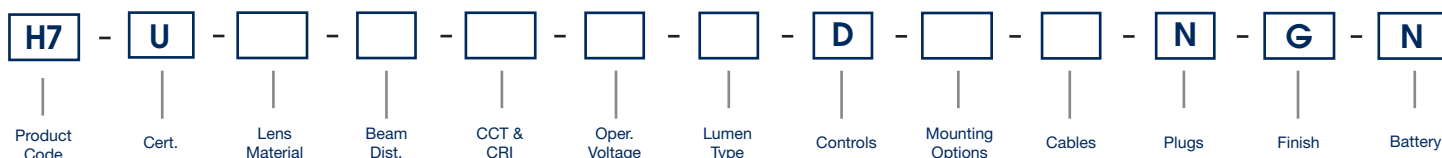
120-277 VAC, 347 or 480 VAC Models



Project Information	
Part Number:	
Project:	
Fixture Type:	Date:

Specifications

## Ordering Information



<b>Product Code</b> H7 Vigilant High Output High Bay	<b>CCT &amp; CRI</b> C Cool White 5000K - 80 CRI N Neutral White 4000K - 80 CRI	<b>Controls</b> D Dimming (0-10V)	<b>Plugs</b> N No Option*
<b>Certification</b> U UL 1598, UL 1598/A	<b>Operating Voltage</b> 2 120-277 VAC 3 208 VAC (w/ fuseblock) B 347 VAC (w/ fuseblock) D 480 VAC (w/ fuseblock)	<b>Mounting Options</b> H Hook N No Option*	<b>Finish</b> G Gray (RAL 7040)
<b>Lens Material</b> 2 Acrylic - Clear 4 Polycarbonate - Clear 7 Glass - Clear	<b>Lumen Type</b> K 46,000 Lumens N 61,200 Lumens R 70,500 Lumens	<b>Cables</b> N No Cable (Standard) W 10' (3 meter) Power Cable	<b>Battery</b> N No Option
<b>Beam Distribution</b> M Medium N Narrow	Based on cool white and glass lens. See Technical Specification Sheet for additional options.		

\* For available cable and plug options contact your local Dialight representative

\* 3 - 3/4" threaded entries; 1 pendant and 2 through-feed perimeter are standard

**WARNING - INSTALLATION & SECONDARY RETENTION.** Use of any Dialight products without proper installation (including secondary retention / netting) and periodic inspections could cause severe injury or death. Dialight recommends that all installations should use secondary retention / netting (appropriate to the installation environment) where applicable. It is the exclusive responsibility of the contractor, installer and/or end-user to: (a) determine the suitability of the product for its intended application; and, (b) ensure that the product is safely installed (with secondary retention / netting where appropriate) and in compliance with all applicable laws and regulations. To the extent permissible under applicable laws, Dialight disclaims all liability for personal injury and/or other damage resulting from any dislodgment or other dislocation of its products.



# Ordering Information

## Vigilant® LED High Output High Bay - Low Profile - Standard Models



Part Number	Fixture Lumen	Watt	lm/W	Voltage	CCT	CRI	Lens	Beam Distribution	Controls
<b>Standard Models - 120-277 VAC Models</b>									
H7U-7NC2-RDNN-NGN	70,500	485	145	120-277 VAC	5000K (cool white)	80	Glass	Narrow	Dimming
H7U-4NC2-RDNN-NGN	65,700	485	135	120-277 VAC	5000K (cool white)	80	Polycarbonate	Narrow	Dimming
H7U-2NC2-RDNN-NGN	66,800	485	138	120-277 VAC	5000K (cool white)	80	Acrylic	Narrow	Dimming
H7U-7MC2-RDNN-NGN	70,500	485	145	120-277 VAC	5000K (cool white)	80	Glass	Medium	Dimming
H7U-4MC2-RDNN-NGN	65,700	485	135	120-277 VAC	5000K (cool white)	80	Polycarbonate	Medium	Dimming
H7U-2MC2-RDNN-NGN	66,800	485	138	120-277 VAC	5000K (cool white)	80	Acrylic	Medium	Dimming
H7U-7NC2-NDNN-NGN	61,200	418	146	120-277 VAC	5000K (cool white)	80	Glass	Narrow	Dimming
H7U-4NC2-NDNN-NGN	57,100	418	137	120-277 VAC	5000K (cool white)	80	Polycarbonate	Narrow	Dimming
H7U-2NC2-NDNN-NGN	58,000	418	139	120-277 VAC	5000K (cool white)	80	Acrylic	Narrow	Dimming
H7U-7MC2-NDNN-NGN	61,200	418	146	120-277 VAC	5000K (cool white)	80	Glass	Medium	Dimming
H7U-4MC2-NDNN-NGN	57,100	418	137	120-277 VAC	5000K (cool white)	80	Polycarbonate	Medium	Dimming
H7U-2MC2-NDNN-NGN	58,000	418	139	120-277 VAC	5000K (cool white)	80	Acrylic	Medium	Dimming
H7U-7NC2-KDNN-NGN	46,000	300	153	120-277 VAC	5000K (cool white)	80	Glass	Narrow	Dimming
H7U-4NC2-KDNN-NGN	42,900	300	143	120-277 VAC	5000K (cool white)	80	Polycarbonate	Narrow	Dimming
H7U-2NC2-KDNN-NGN	43,600	300	145	120-277 VAC	5000K (cool white)	80	Acrylic	Narrow	Dimming
H7U-7MC2-KDNN-NGN	46,000	300	153	120-277 VAC	5000K (cool white)	80	Glass	Medium	Dimming
H7U-4MC2-KDNN-NGN	42,900	300	143	120-277 VAC	5000K (cool white)	80	Polycarbonate	Medium	Dimming
H7U-2MC2-KDNN-NGN	43,600	300	145	120-277 VAC	5000K (cool white)	80	Acrylic	Medium	Dimming
<b>Standard Models - 347 VAC Models</b>									
H7U-7NCB-RDNN-NGN	70,500	494	143	347 VAC	5000K (cool white)	80	Glass	Narrow	Dimming
H7U-4NCB-RDNN-NGN	65,700	494	133	347 VAC	5000K (cool white)	80	Polycarbonate	Narrow	Dimming
H7U-2NCB-RDNN-NGN	66,800	494	135	347 VAC	5000K (cool white)	80	Acrylic	Narrow	Dimming
H7U-7MCB-RDNN-NGN	70,500	494	143	347 VAC	5000K (cool white)	80	Glass	Medium	Dimming
H7U-4MCB-RDNN-NGN	65,700	494	133	347 VAC	5000K (cool white)	80	Polycarbonate	Medium	Dimming
H7U-2MCB-RDNN-NGN	66,800	494	135	347 VAC	5000K (cool white)	80	Acrylic	Medium	Dimming
H7U-7NCB-NDNN-NGN	61,200	427	143	347 VAC	5000K (cool white)	80	Glass	Narrow	Dimming
H7U-4NCB-NDNN-NGN	57,100	427	134	347 VAC	5000K (cool white)	80	Polycarbonate	Narrow	Dimming
H7U-2NCB-NDNN-NGN	58,000	427	136	347 VAC	5000K (cool white)	80	Acrylic	Narrow	Dimming
H7U-7MCB-NDNN-NGN	61,200	427	143	347 VAC	5000K (cool white)	80	Glass	Medium	Dimming
H7U-4MCB-NDNN-NGN	57,100	427	134	347 VAC	5000K (cool white)	80	Polycarbonate	Medium	Dimming
H7U-2MCB-NDNN-NGN	58,000	427	136	347 VAC	5000K (cool white)	80	Acrylic	Medium	Dimming
H7U-7NCB-KDNN-NGN	46,000	308	149	347 VAC	5000K (cool white)	80	Glass	Narrow	Dimming
H7U-4NCB-KDNN-NGN	42,900	308	139	347 VAC	5000K (cool white)	80	Polycarbonate	Narrow	Dimming
H7U-2NCB-KDNN-NGN	43,600	308	142	347 VAC	5000K (cool white)	80	Acrylic	Narrow	Dimming
H7U-7MCB-KDNN-NGN	46,000	308	149	347 VAC	5000K (cool white)	80	Glass	Medium	Dimming
H7U-4MCB-KDNN-NGN	42,900	308	139	347 VAC	5000K (cool white)	80	Polycarbonate	Medium	Dimming
H7U-2MCB-KDNN-NGN	43,600	308	142	347 VAC	5000K (cool white)	80	Acrylic	Medium	Dimming

All values typical unless otherwise stated (tolerance +/- 10%).

Neutral white color temperature is available for products in the above table. Replace the sixth character **C** with **N**. Ex: H7U-7MC2-RDNN-NGN becomes H7U-7MN2-RDNN-NGN.

**DISCLAIMER.** All product information provided is, to the best of Dialight's knowledge, accurate as of the date of publication. When ordering, refer to [www.dialight.com](http://www.dialight.com) for current versions of: (a) relevant product documentation (including the relevant product data sheets); (b) Dialight terms and conditions of sale; and, (c) the relevant product warranty. To the extent that any contract is deemed formed between Dialight and the purchaser of Dialight products and/or an end-user, versions of documents available at [www.dialight.com](http://www.dialight.com) as at the date of sale shall be the versions incorporated therein. In the event of any discrepancy between this document or information provided at [www.dialight.com](http://www.dialight.com), the latter shall prevail.

# Ordering Information

## Vigilant® LED High Output High Bay - Low Profile - Standard Models



Part Number	Fixture Lumen	Watt	lm/W	Voltage	CCT	CRI	Lens	Beam Distribution	Controls
<b>Standard Models - 480 VAC Models</b>									
H7U-7NCD-RDNN-NGN	70,500	494	143	480 VAC	5000K (cool white)	80	Glass	Narrow	Dimming
H7U-4NCD-RDNN-NGN	65,700	494	133	480 VAC	5000K (cool white)	80	Polycarbonate	Narrow	Dimming
H7U-2NCD-RDNN-NGN	66,800	494	135	480 VAC	5000K (cool white)	80	Acrylic	Narrow	Dimming
H7U-7MCD-RDNN-NGN	70,500	494	143	480 VAC	5000K (cool white)	80	Glass	Medium	Dimming
H7U-4MCD-RDNN-NGN	65,700	494	133	480 VAC	5000K (cool white)	80	Polycarbonate	Medium	Dimming
H7U-2MCD-RDNN-NGN	66,800	494	135	480 VAC	5000K (cool white)	80	Acrylic	Medium	Dimming
H7U-7NCD-NDNN-NGN	61,200	427	143	480 VAC	5000K (cool white)	80	Glass	Narrow	Dimming
H7U-4NCD-NDNN-NGN	57,100	427	134	480 VAC	5000K (cool white)	80	Polycarbonate	Narrow	Dimming
H7U-2NCD-NDNN-NGN	58,000	427	136	480 VAC	5000K (cool white)	80	Acrylic	Narrow	Dimming
H7U-7MCD-NDNN-NGN	61,200	427	143	480 VAC	5000K (cool white)	80	Glass	Medium	Dimming
H7U-4MCD-NDNN-NGN	57,100	427	134	480 VAC	5000K (cool white)	80	Polycarbonate	Medium	Dimming
H7U-2MCD-NDNN-NGN	58,000	427	136	480 VAC	5000K (cool white)	80	Acrylic	Medium	Dimming
H7U-7NCD-KDNN-NGN	46,000	308	149	480 VAC	5000K (cool white)	80	Glass	Narrow	Dimming
H7U-4NCD-KDNN-NGN	42,900	308	139	480 VAC	5000K (cool white)	80	Polycarbonate	Narrow	Dimming
H7U-2NCD-KDNN-NGN	43,600	308	142	480 VAC	5000K (cool white)	80	Acrylic	Narrow	Dimming
H7U-7MCD-KDNN-NGN	46,000	308	149	480 VAC	5000K (cool white)	80	Glass	Medium	Dimming
H7U-4MCD-KDNN-NGN	42,900	308	139	480 VAC	5000K (cool white)	80	Polycarbonate	Medium	Dimming
H7U-2MCD-KDNN-NGN	43,600	308	142	480 VAC	5000K (cool white)	80	Acrylic	Medium	Dimming

All values typical unless otherwise stated (tolerance +/- 10%).

Neutral white color temperature is available for products in the above table. Replace the sixth character **C** with **N**. Ex: H7U-7M**C**D-RDNN-NGN becomes H7U-7M**N**D-RDNN-NGN.

## Mounting Accessories



### H6XCAB72

- 72" stainless steel safety rope

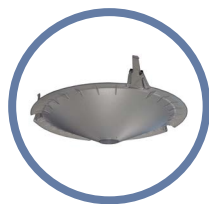
### H6XCAB60

- 60" stainless steel safety rope



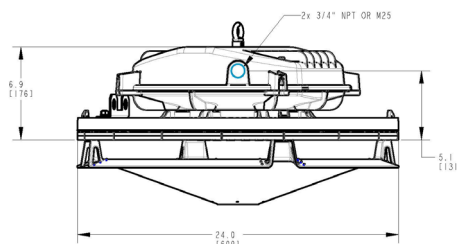
### H6X-H

- Hook



### H6XDIFFUSER

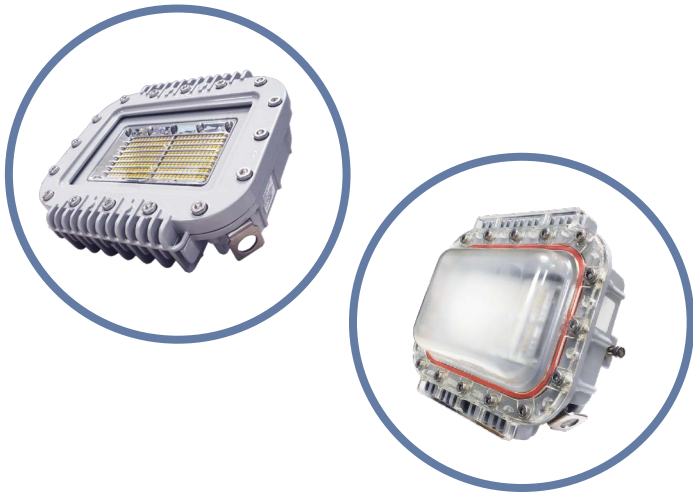
- Diffuser
- Patent pending



**DISCLAIMER.** All product information provided is, to the best of Dialight's knowledge, accurate as of the date of publication. When ordering, refer to [www.dialight.com](http://www.dialight.com) for current versions of: (a) relevant product documentation (including the relevant product data sheets); (b) Dialight terms and conditions of sale; and, (c) the relevant product warranty. To the extent that any contract is deemed formed between Dialight and the purchaser of Dialight products and/or an end-user, versions of documents available at [www.dialight.com](http://www.dialight.com) as at the date of sale shall be the versions incorporated therein. In the event of any discrepancy between this document or information provided at [www.dialight.com](http://www.dialight.com), the latter shall prevail.

# Vigilant® LED Area Light

100-277 VAC, 120-250 VDC

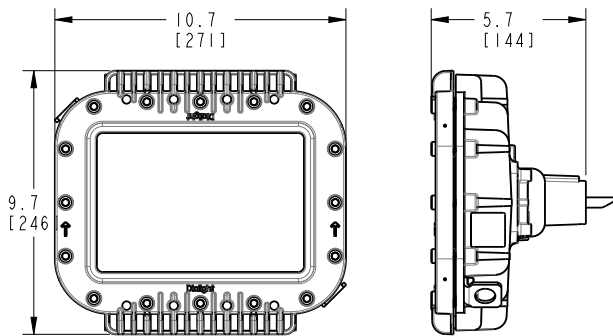


## Certifications & Ratings\*

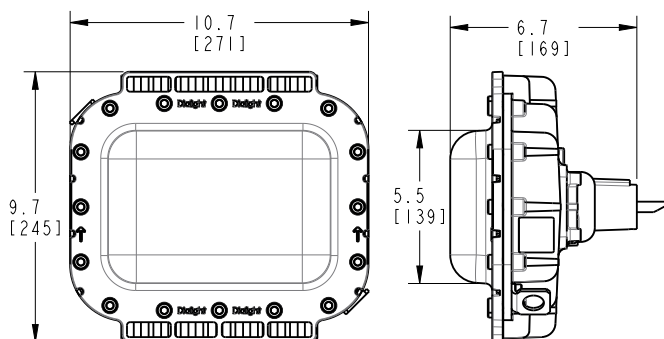
- 10 year warranty
- L70 > 150,000 hours @ 65°C
- UL 1598/A
- CSA C22.2 No. 250
- NOM
- IP66 / 67 / 69
- NEMA 4X
- Factory sealed

\*ETL listed

## Tempered Glass Lens



## Polycarbonate Lens



Dimensions in inches [mm]

## Mechanical Information:

**Fixture weight:** 10 lb (4.5 kg) - Polycarbonate lens  
 12 lb (5.5 kg) - Tempered glass lens  
 with stainless steel bracket: 13 lb (5.9 kg) - Polycarbonate lens  
 15 lb (6.8 kg) - Tempered glass lens

**Shipping weight:** Add 2 lb (0.91 kg) to weights above

**Impact rating:** IK10 - Polycarbonate lens  
 IK07 - Tempered glass lens

**Cabling:** 10' ST00W 1.02 mm 18 AWG

## Electrical Specifications:

**Operating voltage:** 100-277 VAC 50/60Hz, 120-250 VDC

**Operating temperature:** -40°F to +149°F (-40°C to +65°C)

**EMC:** FCC Title 47, Subpart B, Section 15, Class A device  
 CISPR-15  
 RF Immunity 20V/m 80MHz-1GHz.

**Transient protection:** 6 kV, 2 Ohm line-line and line-ground

**Harmonics:** IEC 61000-3-2, Class C

**THD:** < 20%

**Power factor:** > 0.9

## Construction:

**Housing:** Copper-free aluminum

**Finish:** Superior dual coat finish  
 - Sealed polyester topcoat  
 - Epoxy primer

**Lens:** Hard-coated polycarbonate  
 Tempered glass

## Photometric Information:

**CRI:** 80

**CCT:** 5000K (cool white)  
 4000K (neutral white)

**Optics:** 360°  
 180° forward throw for 45° mounting  
 Wide for 0° mounting

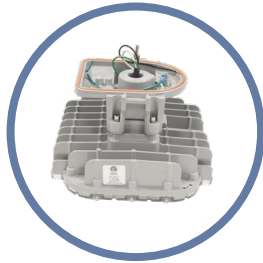
All values typical unless otherwise stated (tolerance +/- 10%)

**WARNING - INSTALLATION & SECONDARY RETENTION.** Use of any Dialight products without proper installation (including secondary retention / netting) and periodic inspections could cause severe injury or death. Dialight recommends that all installations should use secondary retention / netting (appropriate to the installation environment) where applicable. It is the exclusive responsibility of the contractor, installer and/or end-user to: (a) determine the suitability of the product for its intended application; and, (b) ensure that the product is safely installed (with secondary retention / netting where appropriate) and in compliance with all applicable laws and regulations. To the extent permissible under applicable laws, Dialight disclaims all liability for personal injury and/or other damage resulting from any dislodgment or other dislocation of its products.

# Vigilant® LED Area Light

100-277 VAC, 120-250 VDC with Universal Mounting Adapter

## Universal Mounting Adapter



For use with HZXW01, HZXW45, HZXS45 or HZXFM brackets sold separately



HZXW01



HZXS45



HZXS90 / HZXT90



HZXCV34

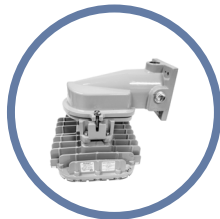


HZXW45

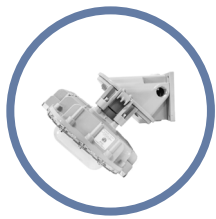


HZXFM

### Wall & Ceiling Mount



### 45° Wall Mount



### 45° Stanchion Mount



### Ceiling Mount



### Conveyor Mount



### 90° Stanchion Mount



## Certifications & Ratings\*

- 10 year warranty
- L70 > 150,000h @ 65°C
- UL 1598/A
- CSA C22.2 No. 250
- NOM
- IP66 / 67
- NEMA 4X
- Factory sealed

\*ETL listed

## Mechanical Information:

### Fixture weight:

UMA models:	12 lb (5.5 kg) - Polycarbonate lens
	15 lb (6.8 kg) - Tempered glass lens
Wall mount models:	15 lb (6.8 kg) - Polycarbonate lens
	18 lb (8.2 kg) - Tempered glass lens
45° wall mount models:	14 lb (6.4 kg) - Polycarbonate lens
	17 lb (7.7 kg) - Tempered glass lens
45° stanchion mount:	15 lb (6.8 kg) - Polycarbonate lens
	18 lb (8.2 kg) - Tempered glass lens
Ceiling mount:	14 lb (6.4 kg) - Polycarbonate lens
	7 lb (7.7 kg) - Tempered glass lens
90° stanchion mount:	16 lb (7.2 kg) - Polycarbonate lens
	19 lb (8.6 kg) - Tempered glass lens

### Shipping weight:

Add 2 lb (0.91 kg) to weights above

### Impact rating:

IK10 - Polycarbonate lens  
IK07 - Tempered glass lens

### Cabling:

14" leads 1.02 mm 18 AWG

## Electrical Specifications:

**Operating voltage:** 100-277 VAC 50/60 Hz, 120-250 VDC

**Operating temperature:** -40°F to +149°F (-40°C to +65°C)

### EMC:

FCC Title 47, Subpart B, Section 15, Class A device  
CISPR-15  
RF Immunity 20V/m 80MHz-1GHz.

### Transient protection:

6 kV, 2 Ohm line-line and line-ground

### Harmonics:

IEC 61000-3-2, Class C

### THD:

< 20%

### Power factor:

> 0.9

## Construction:

### Housing:

Copper-free aluminum

### Finish:

Superior dual coat finish  
- Sealed polyester topcoat  
- Epoxy primer

### Lens:

Hard-coated polycarbonate  
Tempered glass

## Photometric Information:

### CRI:

80

### CCT:

5000K (cool white)  
4000K (neutral white)

### Optics:

360°  
180° forward throw for 45° mounting  
Wide for 0° mounting

All values typical unless otherwise stated (tolerance +/- 10%)

**WARNING - INSTALLATION & SECONDARY RETENTION.** Use of any Dialight products without proper installation (including secondary retention / netting) and periodic inspections could cause severe injury or death. Dialight recommends that all installations should use secondary retention / netting (appropriate to the installation environment) where applicable. It is the exclusive responsibility of the contractor, installer and/or end-user to: (a) determine the suitability of the product for its intended application; and, (b) ensure that the product is safely installed (with secondary retention / netting where appropriate) and in compliance with all applicable laws and regulations. To the extent permissible under applicable laws, Dialight disclaims all liability for personal injury and/or other damage resulting from any dislodgment or other dislocation of its products.

# Vigilant® LED Area Light

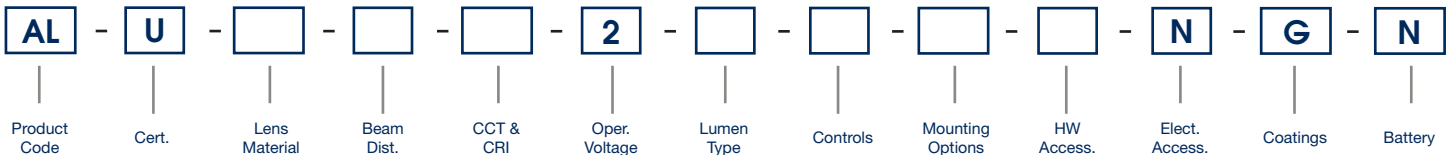
100-277 VAC, 120-250 VDC



Project Information	
Part Number:	
Project:	
Fixture Type:	Date:

Specifications

## Ordering Information



Product Code
AL Area Light

Certification
U UL 1598/A CSA 22.2 No. 250.0

Lens Material
5 Polycarbonate - Diffused
7 Tempered Glass - Clear

Beam Distribution
A 180°
B 360°
W Wide

CCT & CRI
C Cool White 5000K - 80 CRI
N Neutral White 4000K - 80 CRI

Operating Voltage
2 100-277 VAC, 120-250 VDC

Lumen Type
3 3,100 Lumens
4 4,200 Lumens
6 5,700 Lumens
7 7,300 Lumens
9 9,000 Lumens

\*For lumen output see page 21

Controls
D Dimming (0-10V)
N No Option

Mounting Options
Retro-fit Adapter
Universal Mounting Adapter (UMA)

B Swivel Bracket, Locking 0° - 90° 316 Stainless Steel
--

N 3/4" NPT Pendant
--------------------

A Appleton Mercmaster III
C Crouse-Hinds - Champ
G GE Filtr-Gard
H Thomas & Betts Hazlux
K Killark Certilite & Certilite V
M Appleton Mercmaster II
P Holophane Petrolux II and III
F Ceiling Mount
R 90° Stanchion Mount (Slip)
S 45° Stanchion Mount
T 90° Stanchion Mount (NPT)
U UMA - Mounting Hub
V 0° Wall Mount
W 45° Wall Mount
Y 34mm Conveyor Mount

Hardware Accessories
N For Mounting Options - A, C, F, G, H, K, M, S, U, V, W, Y (individual wire leads are terminated in adapter housing)
W 10 ft (3 meter) Power Cable for Mounting Options - B, N

Electrical Accessories
N No Option

Coatings
G Gray (RAL 7040)

Battery
N No Option

Notes
1) For DLC approved model, dimming option is required.
2) When ordering Beam Distribution W - Wide: Lumen Type = 7.
3) When ordering Mounting Options "UMA" or "Retro-fit": Hardware Accessories = N
4) When ordering Mounting Option U - UMA Mounting Hub HZXW01, HZXW45, HZXS45, HZXS90, HZXT90, HZXFM or HZXC34 are required. See page 28 for details.
5) Lumen outputs shown are for Tempered Glass lens, 360° optic. For additional options please see page 21.

**DISCLAIMER.** All product information provided is, to the best of Dialight's knowledge, accurate as of the date of publication. When ordering, refer to [www.dialight.com](http://www.dialight.com) for current versions of: (a) relevant product documentation (including the relevant product data sheets); (b) Dialight terms and conditions of sale; and, (c) the relevant product warranty. To the extent that any contract is deemed formed between Dialight and the purchaser of Dialight products and/or an end-user, versions of documents available at [www.dialight.com](http://www.dialight.com) as at the date of sale shall be the versions incorporated therein. In the event of any discrepancy between this document or information provided at [www.dialight.com](http://www.dialight.com), the latter shall prevail.



# Ordering Information

## Vigilant® LED Area Light - 100-277 VAC, 120-250 VDC



100-277 VAC, 120-250 VDC Model								
Part Number	Initial Fixture Lumens	Wattage	lm/W	CCT	Lens	Beam Distribution	Controls Option	Mounting
ALU-7AC2-9NNW-NGN	8,800	66	133	CW	Tempered Glass	180°	No Option	3/4" NPT
ALU-5AC2-9NNW-NGN	8,100	66	123	CW	Polycarbonate Diffused	180°	No Option	3/4" NPT
ALU-7BC2-9NNW-NGN	9,000	66	136	CW	Tempered Glass	360°	No Option	3/4" NPT
ALU-5BC2-9NNW-NGN	8,300	66	126	CW	Polycarbonate Diffused	360°	No Option	3/4" NPT
ALU-7AC2-7NNW-NGN	7,100	52	137	CW	Tempered Glass	180°	No Option	3/4" NPT
ALU-5AC2-7NNW-NGN	6,600	52	127	CW	Polycarbonate Diffused	180°	No Option	3/4" NPT
ALU-7BC2-7NNW-NGN	7,300	52	140	CW	Tempered Glass	360°	No Option	3/4" NPT
ALU-5BC2-7NNW-NGN	6,700	52	129	CW	Polycarbonate Diffused	360°	No Option	3/4" NPT
ALU-7WC2-7NNW-NGN	7,300	64	114	CW	Tempered Glass	Wide	No Option	3/4" NPT
ALU-5WC2-7NNW-NGN	6,700	64	105	CW	Polycarbonate Diffused	Wide	No Option	3/4" NPT
ALU-7AC2-6NNW-NGN	5,500	40	138	CW	Tempered Glass	180°	No Option	3/4" NPT
ALU-5AC2-6NNW-NGN	5,100	40	128	CW	Polycarbonate Diffused	180°	No Option	3/4" NPT
ALU-7BC2-6NNW-NGN	5,700	40	143	CW	Tempered Glass	360°	No Option	3/4" NPT
ALU-5BC2-6NNW-NGN	5,300	40	133	CW	Polycarbonate Diffused	360°	No Option	3/4" NPT
ALU-7AC2-4NNW-NGN	4,100	30	137	CW	Tempered Glass	180°	No Option	3/4" NPT
ALU-5AC2-4NNW-NGN	3,800	30	127	CW	Polycarbonate Diffused	180°	No Option	3/4" NPT
ALU-7BC2-4NNW-NGN	4,200	30	140	CW	Tempered Glass	360°	No Option	3/4" NPT
ALU-5BC2-4NNW-NGN	3,900	30	130	CW	Polycarbonate Diffused	360°	No Option	3/4" NPT
ALU-7AC2-3NNW-NGN	3,000	24	125	CW	Tempered Glass	180°	No Option	3/4" NPT
ALU-5AC2-3NNW-NGN	2,800	24	117	CW	Polycarbonate Diffused	180°	No Option	3/4" NPT
ALU-7BC2-3NNW-NGN	3,100	24	129	CW	Tempered Glass	360°	No Option	3/4" NPT
ALU-5BC2-3NNW-NGN	2,800	24	117	CW	Polycarbonate Diffused	360°	No Option	3/4" NPT
100-277 VAC, 120-250 VDC Model with Retro-fit Adapters - Crouse Hinds								
ALU-7BC2-7NCN-NGN	7,300	52	140	CW	Tempered Glass	360°	No Option	Retro-fit: Crouse Hinds
ALU-5BC2-7NCN-NGN	6,700	52	129	CW	Polycarbonate Diffused	360°	No Option	Retro-fit: Crouse Hinds
ALU-7BC2-6NCN-NGN	5,700	40	143	CW	Tempered Glass	360°	No Option	Retro-fit: Crouse Hinds
ALU-5BC2-6NCN-NGN	5,300	40	133	CW	Polycarbonate Diffused	360°	No Option	Retro-fit: Crouse Hinds
100-277 VAC, 120-250 VDC Model with Retro-fit Adapters - GE								
ALU-7BC2-7NGN-NGN	7,300	52	140	CW	Tempered Glass	360°	No Option	Retro-fit: GE
ALU-5BC2-7NGN-NGN	6,700	52	129	CW	Polycarbonate Diffused	360°	No Option	Retro-fit: GE
ALU-7BC2-6NGN-NGN	5,700	40	143	CW	Tempered Glass	360°	No Option	Retro-fit: GE
ALU-5BC2-6NGN-NGN	5,300	40	133	CW	Polycarbonate Diffused	360°	No Option	Retro-fit: GE

See ordering chart for additional options.

For DLC-approved products that require 0-10V dimming, replace the 9th character "N" with "D". ALU-7BC2-9NNW-NGN becomes ALU-7BC2-9DNW-NGN. 0-10V dimming products are supplied with a 5 conductor cable.

**DISCLAIMER.** All product information provided is, to the best of Dialight's knowledge, accurate as of the date of publication. When ordering, refer to [www.dialight.com](http://www.dialight.com) for current versions of: (a) relevant product documentation (including the relevant product data sheets); (b) Dialight terms and conditions of sale; and, (c) the relevant product warranty. To the extent that any contract is deemed formed between Dialight and the purchaser of Dialight products and/or an end-user, versions of documents available at [www.dialight.com](http://www.dialight.com) as at the date of sale shall be the versions incorporated therein. In the event of any discrepancy between this document or information provided at [www.dialight.com](http://www.dialight.com), the latter shall prevail.

# Ordering Information

## Vigilant® LED Area Light - 100-277 VAC, 120-250 VDC

### with Universal Mounting Adapter



#### 100-277 VAC, 120-250 VDC with Universal Mounting Adapter

Part Number	Initial Fixture Lumens	Wattage	lm/W	CCT	Lens	Beam Distribution	Controls Option	Mounting
ALU-7AC2-7NUN-NGN	7,100	52	137	CW	Tempered Glass	180°	No Option	UMA Hub
ALU-5AC2-7NUN-NGN	6,600	52	127	CW	Polycarbonate Diffused	180°	No Option	UMA Hub
ALU-7BC2-7NUN-NGN	7,300	52	140	CW	Tempered Glass	360°	No Option	UMA Hub
ALU-5BC2-7NUN-NGN	6,700	52	129	CW	Polycarbonate Diffused	360°	No Option	UMA Hub
ALU-7AC2-6NUN-NGN	5,500	40	138	CW	Tempered Glass	180°	No Option	UMA Hub
ALU-5AC2-6NUN-NGN	5,100	40	128	CW	Polycarbonate Diffused	180°	No Option	UMA Hub
ALU-7BC2-6NUN-NGN	5,700	40	143	CW	Tempered Glass	360°	No Option	UMA Hub
ALU-5BC2-6NUN-NGN	5,300	40	133	CW	Polycarbonate Diffused	360°	No Option	UMA Hub
ALU-7AC2-7NSN-NGN	7,100	52	137	CW	Tempered Glass	180°	No Option	45° Stanchion
ALU-5AC2-7NSN-NGN	6,600	52	127	CW	Polycarbonate Diffused	180°	No Option	45° Stanchion
ALU-7AC2-6NSN-NGN	5,500	40	138	CW	Tempered Glass	180°	No Option	45° Stanchion
ALU-5AC2-6NSN-NGN	5,100	40	128	CW	Polycarbonate Diffused	180°	No Option	45° Stanchion
ALU-7AC2-4NSN-NGN	4,100	30	137	CW	Tempered Glass	180°	No Option	45° Stanchion
ALU-5AC2-4NSN-NGN	3,800	30	127	CW	Polycarbonate Diffused	180°	No Option	45° Stanchion
ALU-7AC2-7NWN-NGN	7,100	52	137	CW	Tempered Glass	180°	No Option	45° Wall
ALU-5AC2-7NWN-NGN	6,600	52	127	CW	Polycarbonate Diffused	180°	No Option	45° Wall
ALU-7AC2-6NWN-NGN	5,500	40	138	CW	Tempered Glass	180°	No Option	45° Wall
ALU-5AC2-6NWN-NGN	5,100	40	128	CW	Polycarbonate Diffused	180°	No Option	45° Wall
ALU-7AC2-4NWN-NGN	4,100	30	137	CW	Tempered Glass	180°	No Option	45° Wall
ALU-5AC2-4NWN-NGN	3,800	30	127	CW	Polycarbonate Diffused	180°	No Option	45° Wall
ALU-7AC2-7NVN-NGN	7,100	52	137	CW	Tempered Glass	180°	No Option	0° Wall
ALU-5AC2-7NVN-NGN	6,600	52	127	CW	Polycarbonate Diffused	180°	No Option	0° Wall
ALU-7AC2-6NVN-NGN	5,500	40	138	CW	Tempered Glass	180°	No Option	0° Wall
ALU-5AC2-6NVN-NGN	5,100	40	128	CW	Polycarbonate Diffused	180°	No Option	0° Wall
ALU-7AC2-4NVN-NGN	4,100	30	137	CW	Tempered Glass	180°	No Option	0° Wall
ALU-5AC2-4NVN-NGN	3,800	30	127	CW	Polycarbonate Diffused	180°	No Option	0° Wall
ALU-7BC2-7NFN-NGN	7,100	52	137	CW	Tempered Glass	360°	No Option	Ceiling Mount
ALU-5BC2-7NFN-NGN	6,600	52	127	CW	Polycarbonate Diffused	360°	No Option	Ceiling Mount
ALU-7BC2-6NFN-NGN	5,500	40	138	CW	Tempered Glass	360°	No Option	Ceiling Mount
ALU-5BC2-6NFN-NGN	5,100	40	128	CW	Polycarbonate Diffused	360°	No Option	Ceiling Mount
ALU-7BC2-4NFN-NGN	4,100	30	137	CW	Tempered Glass	360°	No Option	Ceiling Mount
ALU-5BC2-4NFN-NGN	3,800	30	127	CW	Polycarbonate Diffused	360°	No Option	Ceiling Mount

See ordering chart for additional options.

For DLC-approved products that require 0-10V dimming, replace the 9th character "N" with "D". ALU-7BC2-9NNW-NGN becomes ALU-7BC2-9DNW-NGN. 0-10V dimming products are supplied with a 5 conductor cable.

**DISCLAIMER.** All product information provided is, to the best of Dialight's knowledge, accurate as of the date of publication. When ordering, refer to [www.dialight.com](http://www.dialight.com) for current versions of: (a) relevant product documentation (including the relevant product data sheets); (b) Dialight terms and conditions of sale; and, (c) the relevant product warranty. To the extent that any contract is deemed formed between Dialight and the purchaser of Dialight products and/or an end-user, versions of documents available at [www.dialight.com](http://www.dialight.com) as at the date of sale shall be the versions incorporated therein. In the event of any discrepancy between this document or information provided at [www.dialight.com](http://www.dialight.com), the latter shall prevail.

# Vigilant® LED Area Light

## Lumen Tables

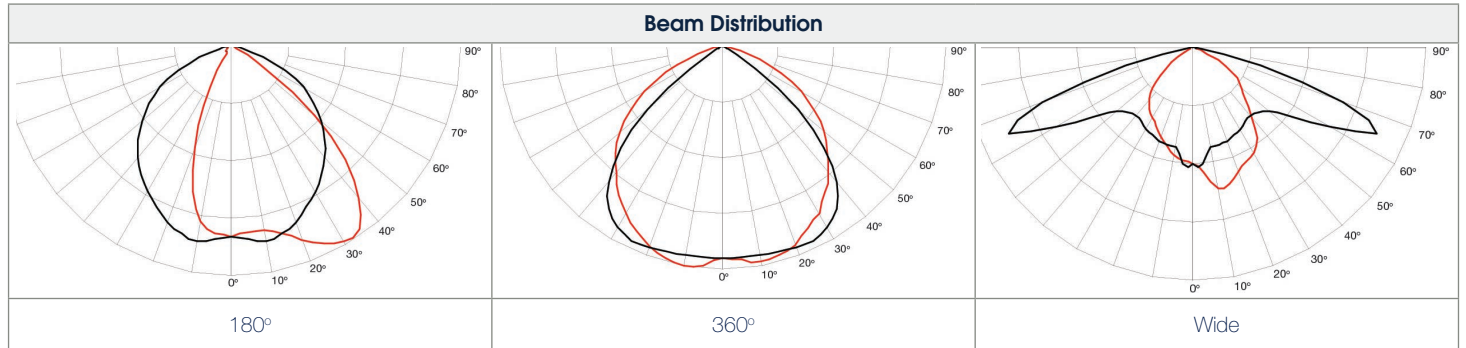
100-277 VAC, 120-250 VDC									
Output Family	Beam Distribution	Lens	Wattage	Lumens 5000 CCT	5000 CCT lm/W	Lumens 4000 CCT	4000 CCT lm/W	Lumens 2700 CCT	2700 CCT lm/W
9,000	360°	Tempered Glass	66	9000	136	8800	134	8200	124
		Class I, Div 1 Glass		8600	131	8400	128	7900	120
		Polycarbonate		8300	127	8100	123	7600	115
	180°	Tempered Glass		8800	134	8600	131	8000	121
		Class I, Div 1 Glass		8400	128	8200	125	7700	117
		Polycarbonate		8100	124	7900	120	7400	112
7,300	360°	Tempered Glass	52	7300	140	7100	138	6700	129
		Class I, Div 1 Glass		7000	135	6800	132	6400	123
		Polycarbonate		6700	131	6500	126	6100	117
	180°	Tempered Glass		7100	138	6900	134	6500	125
		Class I, Div 1 Glass		6800	132	6600	128	6200	119
		Polycarbonate		6600	128	6400	124	6000	115
	Wide	Tempered Glass		7300	114	7100	112	6700	105
		Class I, Div 1 Glass		7000	110	6800	107	6400	100
		Polycarbonate		6700	106	6500	103	6100	95
5,700	360°	Tempered Glass	40	5700	143	5500	140	5200	130
		Class I, Div 1 Glass		5400	137	5200	132	4900	123
		Polycarbonate		5300	133	5100	130	4800	120
	180°	Tempered Glass		5500	140	5300	135	5000	125
		Class I, Div 1 Glass		5300	134	5100	130	4800	120
		Polycarbonate		5100	130	4900	125	4600	115
4,200	360°	Tempered Glass	30	4200	140	4100	137	3800	127
		Class I, Div 1 Glass		4000	134	3900	131	3600	120
		Polycarbonate		3900	130	3800	127	3900	130
	180°	Tempered Glass		4100	137	4000	134	4100	137
		Class I, Div 1 Glass		3900	132	3800	127	3900	130
		Polycarbonate		3800	127	3700	124	3400	113
3,100	360°	Tempered Glass	24	3100	129	3000	127	2800	117
		Class I, Div 1 Glass		2900	124	2900	121	2600	108
		Polycarbonate		2800	120	2700	114	2500	104
	180°	Tempered Glass		3000	127	2900	123	2700	113
		Class I, Div 1 Glass		2900	121	2800	118	2600	108
		Polycarbonate		2800	118	2700	114	2500	104

All values typical unless otherwise stated (tolerance +/- 10%)  
For lighting layouts, please find IES files at [www.dialight.com](http://www.dialight.com)

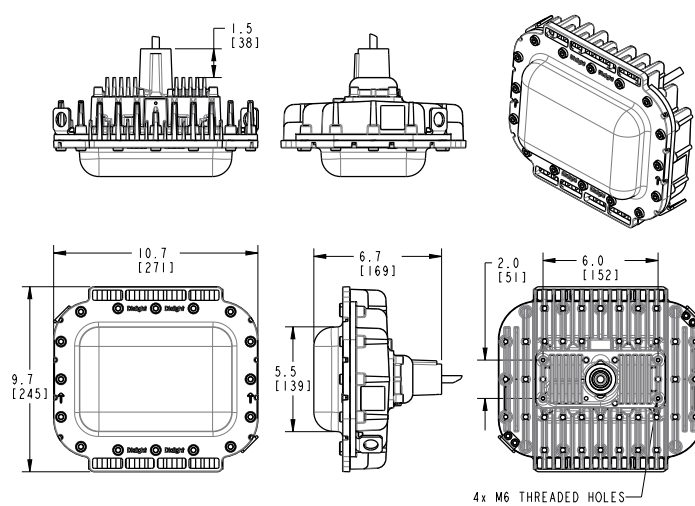
**DISCLAIMER.** All product information provided is, to the best of Dialight's knowledge, accurate as of the date of publication. When ordering, refer to [www.dialight.com](http://www.dialight.com) for current versions of: (a) relevant product documentation (including the relevant product data sheets); (b) Dialight terms and conditions of sale; and, (c) the relevant product warranty. To the extent that any contract is deemed formed between Dialight and the purchaser of Dialight products and/or an end-user, versions of documents available at [www.dialight.com](http://www.dialight.com) as at the date of sale shall be the versions incorporated therein. In the event of any discrepancy between this document or information provided at [www.dialight.com](http://www.dialight.com), the latter shall prevail.

# Vigilant® LED Area Light

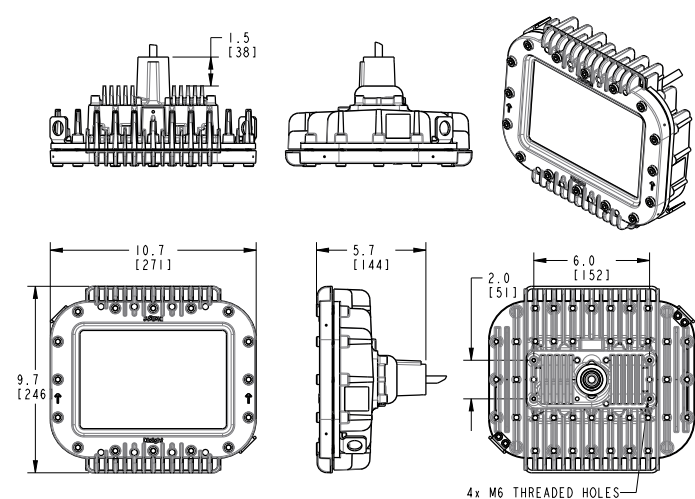
## Beam Distribution & Dimensional Drawings



### Polycarbonate Lens - Option 5



### Tempered Glass Lens - Option 7

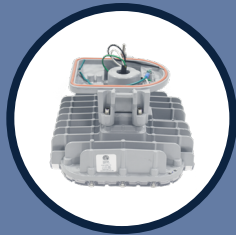


**DISCLAIMER.** All product information provided is, to the best of Dialight's knowledge, accurate as of the date of publication. When ordering, refer to [www.dialight.com](http://www.dialight.com) for current versions of: (a) relevant product documentation (including the relevant product data sheets); (b) Dialight terms and conditions of sale; and, (c) the relevant product warranty. To the extent that any contract is deemed formed between Dialight and the purchaser of Dialight products and/or an end-user, versions of documents available at [www.dialight.com](http://www.dialight.com) as at the date of sale shall be the versions incorporated therein. In the event of any discrepancy between this document or information provided at [www.dialight.com](http://www.dialight.com), the latter shall prevail.

# Vigilant® LED Area Light

## Accessories

### Area Lights with Universal Mounting Adapter & Brackets Sold Separately



UMA Area Light  
ALx-xxxx-xxUx-xxN



Stanchion 45°  
HZXS45



Wall 45°  
HZXW45



Wall 0°  
HZXW01



Conveyor  
HZXC34



Ceiling  
HZXFM



Stanchion 90°  
HZXS90 / HZXT90



Certified to: UL 50E • CSA C22.2 No. 94.2-07

#### HZXSTAN100S

- 1.00" (1.315" Pole OD) Slip-fit stanchion mount

#### HZXSTAN125S

- 1.25" (1.660" Pole OD) Slip-fit stanchion mount

#### HZXSTAN150S

- 1.50" (1.900" Pole OD) Slip-fit stanchion mount

#### HZXSTAN200S

- 2.00" (2.375" Pole OD) Slip-fit stanchion mount

#### HZXSTAN100T

- 1.00" (1.315" Pole OD) NPT threaded stanchion mount

#### HZXSTAN125T

- 1.25" (1.660" Pole OD) NPT threaded stanchion mount

#### HZXSTAN150T

- 1.50" (1.900" Pole OD) NPT threaded stanchion mount

#### HZXSTAN200T

- 2.00" (2.375" Pole OD) NPT threaded stanchion mount



#### HZXW3

- 316 stainless steel bracket

#### HZXW7

- Aluminum bracket



#### HZXW4

- 316 stainless steel bracket with pipe clamp

#### HZXW8

- Aluminum bracket with pipe clamp



Certified to: UL 50E • UL 1203

ISA 12.12.01 • CSA C22.2 No. 94.2-07

#### HBXC1

- 0.75" NPT Ceiling mount



Certified to: UL 50E • CSA C22.2 No. 94.2-07

#### HZXJB075

- 0.75" Ceiling / Wall / Pole mount junction box

#### HZXJB100

- 1.00" Ceiling / Wall / Pole mount junction box

#### HZXJB125

- 1.25" Ceiling / Wall / Pole mount junction box

#### HZXJB150

- 1.50" Ceiling / Wall / Pole mount junction box



#### HZXSAFECBLS

- Safety cable kit

Please reference spec sheet at [www.dialight.com](http://www.dialight.com) for all dimensional drawings of mounting options.

**DISCLAIMER.** All product information provided is, to the best of Dialight's knowledge, accurate as of the date of publication. When ordering, refer to [www.dialight.com](http://www.dialight.com) for current versions of: (a) relevant product documentation (including the relevant product data sheets); (b) Dialight terms and conditions of sale; and, (c) the relevant product warranty. To the extent that any contract is deemed formed between Dialight and the purchaser of Dialight products and/or an end-user, versions of documents available at [www.dialight.com](http://www.dialight.com) as at the date of sale shall be the versions incorporated therein. In the event of any discrepancy between this document or information provided at [www.dialight.com](http://www.dialight.com), the latter shall prevail.



# Vigilant® LED Area Light

## Retro-fit Options

Retro-fit adapters can be factory installed. See product ordering information for details.

- Eaton's Crouse-Hinds – Champ®
- GE Lighting Solutions – Filtr-Gard™
- Holophane Petrolux® II, III
- Thomas & Betts Hazlux®
- Appleton® Mercmaster III
- Appleton® Mercmaster II
- Killark® Certilite® & Certilite® V

\*Petrolux adapter available as a standalone accessory only



Eaton's Crouse-Hinds – Champ® - HZXTCH				
Pendant	Ceiling	Wall	Stanchion	Quad Mount
APM2	CM2	TWM2	JM5	QM25
APM3	CM3	TWM3	PM5	
HPM2				



GE Lighting Solutions – Filtr-Gard™ - HZXTHGE				
Pendant	Ceiling	Wall	Stanchion	Quad Mount
3P	3F	3C	3W	5S
4P	4F		4W	6S
				5J, 6J



Holophane® Petrolux II, III - HZXTHP3				
Pendant	Universal	Stanchion	Ceiling	Wall
PD	UN	SA	CD	WL
GH		ST	CE	W
P		A	B, C, D	

Please reference spec sheet at [www.dialight.com](http://www.dialight.com) for all dimensional drawings of retro-fit options.

**DISCLAIMER.** All product information provided is, to the best of Dialight's knowledge, accurate as of the date of publication. When ordering, refer to [www.dialight.com](http://www.dialight.com) for current versions of: (a) relevant product documentation (including the relevant product data sheets); (b) Dialight terms and conditions of sale; and, (c) the relevant product warranty. To the extent that any contract is deemed formed between Dialight and the purchaser of Dialight products and/or an end-user, versions of documents available at [www.dialight.com](http://www.dialight.com) as at the date of sale shall be the versions incorporated therein. In the event of any discrepancy between this document or information provided at [www.dialight.com](http://www.dialight.com), the latter shall prevail.

# Vigilant® LED Area Light

## Retro-fit Options



Thomas & Betts Hazlux® - HZXTHTB				
Pendant	Pendant Cone	Flexible Pendant	Ceiling	Wall
VP2	VA2	VF2	VC2	VB2
VP3	VA3	VF3	VC3	VB3
Wall	25° Angle Stanchion	25° Angle Stanchion	Straight Stanchion	Straight Stanchion
VB2-VIB	VS4	VS4-VIB	VL4	VL4-VIB
VB3-VIB	VS5	VS5-VIB	VL5	VL5-VIB



Appleton® Mercmaster III - HZXTHAP			
Pendant	Ceiling	Wall	Stanchion
KPA-75, 100	KPC-75	KPWB-75	KPS-125
KPAF-75, 100	KPC-100	KPWB-100	KPS-150
KPCH-75, 100			KPST-125
			KPST-150



Appleton® Mercmaster II - HZXTHM2			
Pendant	Ceiling	Wall	Stanchion
LPA-75	LPC-75	LPWB-75	LPS-125
LPA-100	LPC-100	LPWB-100	LPS-150



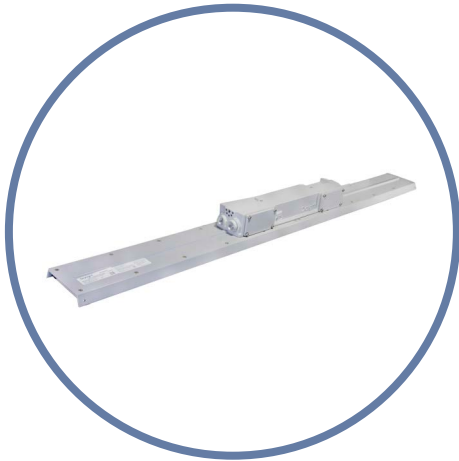
Killark® Certilite® & Certilite® V - HZXTHKL			
Pendant	Ceiling	Wall	Stanchion
VMA2B & VMA-2	VMX2B & VMX-2	VMB2B & VMB-2	VMD4B
VMA3B & VMA-3	VMX3B & VMX-3	VMB3B & VMB-3	VMD5B
VMC2B & VMC-2	VMX6B, 7B, 8B, 9B		VMS5B
VMC3B & VMC-3			
VMF2B, 3B			

Please reference spec sheet at [www.dialight.com](http://www.dialight.com) for all dimensional drawings of retro-fit options.

**DISCLAIMER.** All product information provided is, to the best of Dialight's knowledge, accurate as of the date of publication. When ordering, refer to [www.dialight.com](http://www.dialight.com) for current versions of: (a) relevant product documentation (including the relevant product data sheets); (b) Dialight terms and conditions of sale; and, (c) the relevant product warranty. To the extent that any contract is deemed formed between Dialight and the purchaser of Dialight products and/or an end-user, versions of documents available at [www.dialight.com](http://www.dialight.com) as at the date of sale shall be the versions incorporated therein. In the event of any discrepancy between this document or information provided at [www.dialight.com](http://www.dialight.com), the latter shall prevail.

# Vigilant® LED Linear

## Low Profile - 10 year warranty

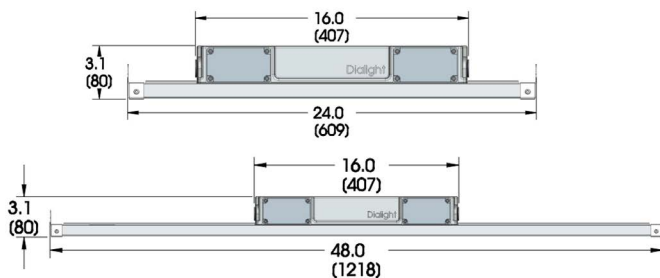


### Certifications & Ratings

- UL 1598/A<sup>1</sup>
- NEMA 4X
- CSA C22.2 No. 250<sup>1</sup>
- 2000 PSI hose-down rating<sup>2</sup>
- IP66/67
- DLC Premium & Standard

<sup>1</sup>ETL listed

<sup>2</sup>Internally tested



Dimensions in inches [mm]

### Mechanical Information:

<b>Fixture weight:</b>	4' - 11 lb (5.0 kg) 2' - 8 lb (3.6 kg)
<b>Shipping weight:</b>	4' - 12 lb (5.4 kg) 2' - 9 lb (4.1 kg)
<b>Mounting:</b>	(4) 3/4" NPT openings Optional swivel bracket - LPXW4 Optional low profile bracket - LPXW4LP

### Variable Dimming:

<b>Variable dimming control:</b>	0-10 VDC
<b>Dimming range:</b>	10 VDC = 100% light output 0 VDC = 5% light output

### Electrical Specifications:

<b>Operating voltage:</b>	100-277 VAC, 50/60Hz 120-250 VDC
<b>Power consumption:</b>	See ordering information
<b>Operating temp:</b>	-40°F to +149°F (-40°C to +65°C)
<b>EMC:</b>	FCC Title 47, Subpart B, Section 15, Class A device. RF Immunity; 10V/m, 80MHz-1GHz
<b>Surge protection:</b>	EN 61000-4-5 6 kV line-to-line 6 kV line-to-ground
<b>Harmonics:</b>	IEC 61000-3-2 Class C ATHD<20%
<b>Power factor:</b>	> 0.9

### Construction:

<b>Finish:</b>	Superior dual coat finish - Sealed polyester topcoat - Chemical resistant epoxy primer
<b>Lens:</b>	Polycarbonate

### Photometric Information:

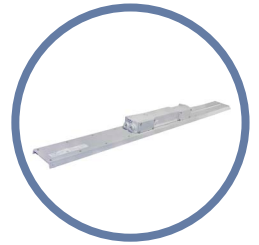
<b>CRI:</b>	80
<b>CCT:</b>	5000K (cool white) 4000K (neutral white)
<b>IES files:</b>	Available at <a href="http://www.dialight.com">www.dialight.com</a>

All values typical unless otherwise stated (tolerance +/- 10%)

**WARNING - INSTALLATION & SECONDARY RETENTION.** Use of any Dialight products without proper installation (including secondary retention / netting) and periodic inspections could cause severe injury or death. Dialight recommends that all installations should use secondary retention / netting (appropriate to the installation environment) where applicable. It is the exclusive responsibility of the contractor, installer and/or end-user to: (a) determine the suitability of the product for its intended application; and, (b) ensure that the product is safely installed (with secondary retention / netting where appropriate) and in compliance with all applicable laws and regulations. To the extent permissible under applicable laws, Dialight disclaims all liability for personal injury and/or other damage resulting from any dislodgment or other dislocation of its products.

# Ordering Information

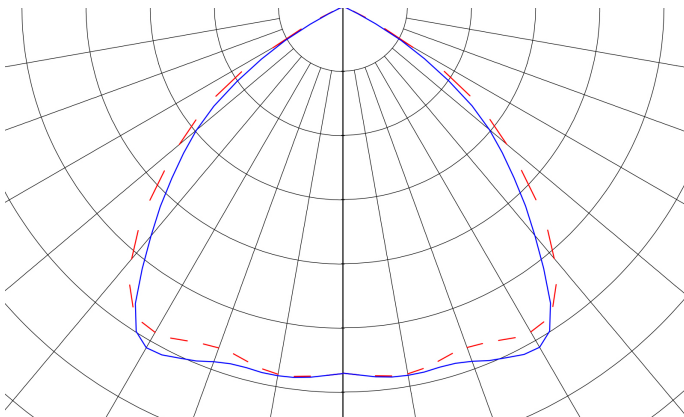
Vigilant® LED Linear - Low Profile - 10 year warranty



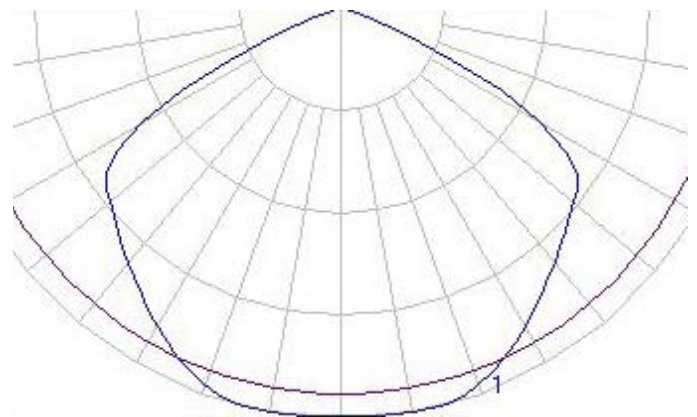
Part Number (x = CCT placeholder)	Length	CRI	Wattage	Fixture Lumens		lm/W		Voltage	Lens	Beam Distribution
				5000K	4000K	5000K	4000K			
LKU-4M(x)2-9DNN-NGN	4'	80	70	9,600	9,300	137	132	100-277 VAC / 120-250 VDC	Clear Polycarbonate	Medium
LKU-5M(x)2-9DNN-NGN	4'	80	70	8,800	8,500	125	121	100-277 VAC / 120-250 VDC	Diffused Polycarbonate	Medium
LKU-4W(x)2-9DNN-NGN	4'	80	70	9,600	9,300	137	132	100-277 VAC / 120-250 VDC	Clear Polycarbonate	Wide
LKU-4M(x)2-7DNN-NGN	4'	80	52	7,250	6,950	139	134	100-277 VAC / 120-250 VDC	Clear Polycarbonate	Medium
LKU-5M(x)2-7DNN-NGN	4'	80	52	6,550	6,250	126	120	100-277 VAC / 120-250 VDC	Diffused Polycarbonate	Medium
LKU-4W(x)2-7DNN-NGN	4'	80	52	7,250	6,950	139	134	100-277 VAC / 120-250 VDC	Clear Polycarbonate	Wide
LJU-4M(x)2-5DNN-NGN	2'	80	37	4,750	4,500	128	122	100-277 VAC / 120-250 VDC	Clear Polycarbonate	Medium
LJU-5M(x)2-5DNN-NGN	2'	80	37	4,450	4,200	120	114	100-277 VAC / 120-250 VDC	Diffused Polycarbonate	Medium
LJU-4W(x)2-5DNN-NGN	2'	80	37	4,750	4,500	128	122	100-277 VAC / 120-250 VDC	Clear Polycarbonate	Wide

All values typical unless otherwise stated (tolerance +/- 10%)  
 CCT placeholders - C=5000K (cool white), N= 4000K (neutral white)  
 For additional ordering options, please consult factory.

Medium



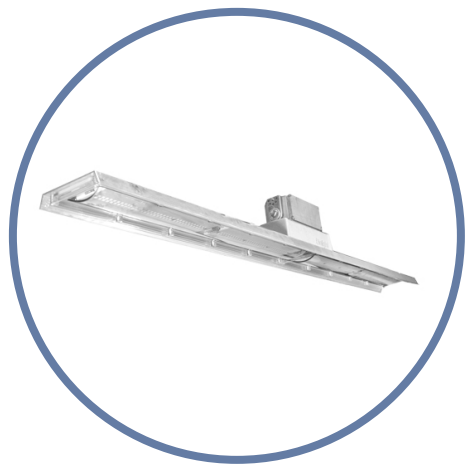
Wide



**DISCLAIMER.** All product information provided is, to the best of Dialight's knowledge, accurate as of the date of publication. When ordering, refer to [www.dialight.com](http://www.dialight.com) for current versions of: (a) relevant product documentation (including the relevant product data sheets); (b) Dialight terms and conditions of sale; and, (c) the relevant product warranty. To the extent that any contract is deemed formed between Dialight and the purchaser of Dialight products and/or an end-user, versions of documents available at [www.dialight.com](http://www.dialight.com) as at the date of sale shall be the versions incorporated therein. In the event of any discrepancy between this document or information provided at [www.dialight.com](http://www.dialight.com), the latter shall prevail.

# Vigilant® LED Linear

## Top Conduit - 10 year warranty

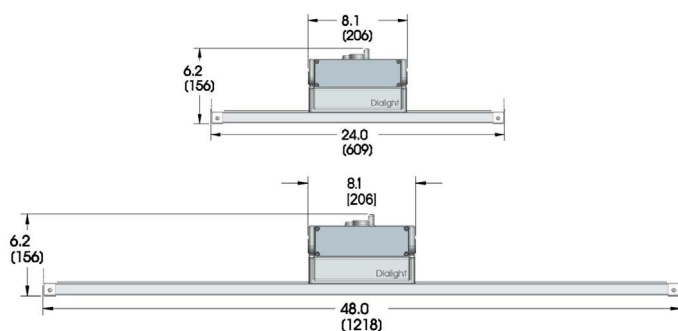


### Certifications & Ratings

- UL 1598/A<sup>1</sup>
- CSA C22.2 No. 250<sup>1</sup>
- IP66/67
- NEMA 4X
- 2000 PSI hose-down rating<sup>2</sup>
- DLC Premium & Standard

<sup>1</sup>ETL listed

<sup>2</sup>Internally tested



Dimensions in inches [mm]

### Mechanical Information:

<b>Fixture weight:</b>	4' - 11 lb (5.0 kg) 2' - 8 lb (3.6 kg)
<b>Shipping weight:</b>	4' - 12 lb (5.4 kg) 2' - 9 lb (4.1 kg)
<b>Mounting:</b>	(3) 3/4" NPT openings Optional swivel bracket - LTXW4 Optional low profile bracket - LTXW4LP

### Variable Dimming:

<b>Variable dimming control:</b>	0-10 VDC
<b>Dimming range:</b>	10 VDC = 100% light output 0 VDC = 5% light output

### Electrical Specifications:

<b>Operating voltage:</b>	100-277 VAC, 50/60Hz 120-250 VDC
<b>Power consumption:</b>	See ordering information
<b>Operating temp:</b>	-40°F to +149°F (-40°C to +65°C)
<b>EMC:</b>	FCC Title 47, Subpart B, Section 15, Class A device. RF Immunity; 10V/m, 80MHz-1GHz
<b>Surge protection:</b>	EN 61000-4-5 6 kV line-to-line 6 kV line-to-ground
<b>Harmonics:</b>	IEC 61000-3-2 Class C ATHD<20%
<b>Power factor:</b>	> 0.9

### Construction:

<b>Finish:</b>	Superior dual coat finish - Sealed polyester topcoat - Chemical resistant epoxy primer
<b>Lens:</b>	Polycarbonate

### Photometric Information:

<b>CRI:</b>	80
<b>CCT:</b>	5000K (cool white) 4000K (neutral white)
<b>IES files:</b>	Available at <a href="http://www.dialight.com">www.dialight.com</a>

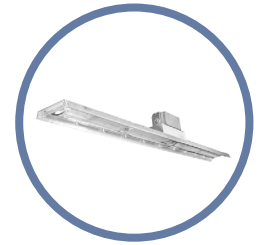
All values typical unless otherwise stated (tolerance +/- 10%)

**WARNING - INSTALLATION & SECONDARY RETENTION.** Use of any Dialight products without proper installation (including secondary retention / netting) and periodic inspections could cause severe injury or death. Dialight recommends that all installations should use secondary retention / netting (appropriate to the installation environment) where applicable. It is the exclusive responsibility of the contractor, installer and/or end-user to: (a) determine the suitability of the product for its intended application; and, (b) ensure that the product is safely installed (with secondary retention / netting where appropriate) and in compliance with all applicable laws and regulations. To the extent permissible under applicable laws, Dialight disclaims all liability for personal injury and/or other damage resulting from any dislodgment or other dislocation of its products.



# Ordering Information

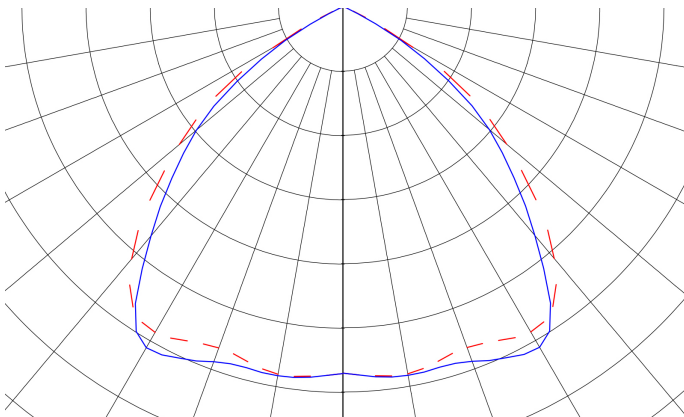
## Vigilant® LED Linear - Top Conduit - 10 year warranty



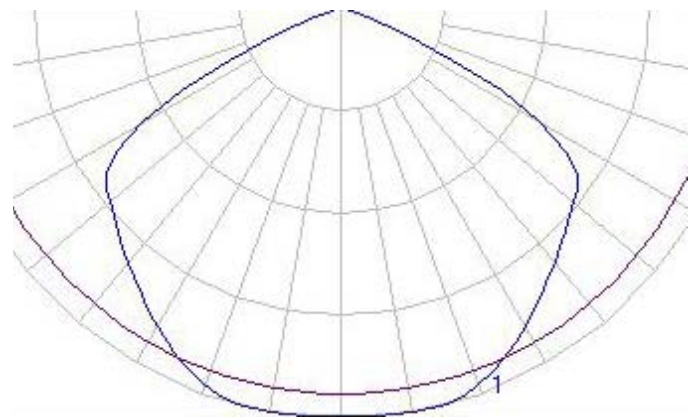
Part Number (x = CCT placeholder)	Length	CRI	Wattage	Fixture Lumens		lm/W		Voltage	Lens	Beam Distribution
				5000K	4000K	5000K	4000K			
LHU-4M(x)2-9DNN-NGN	4'	80	70	9,600	9,300	137	132	100-277 VAC / 120-250 VDC	Clear Polycarbonate	Medium
LHU-5M(x)2-9DNN-NGN	4'	80	70	8,800	8,500	125	121	100-277 VAC / 120-250 VDC	Diffused Polycarbonate	Medium
LHU-4W(x)2-9DNN-NGN	4'	80	70	9,600	9,300	137	132	100-277 VAC / 120-250 VDC	Clear Polycarbonate	Wide
LHU-4M(x)2-7DNN-NGN	4'	80	52	7,250	6,950	139	134	100-277 VAC / 120-250 VDC	Clear Polycarbonate	Medium
LHU-5M(x)2-7DNN-NGN	4'	80	52	6,550	6,250	126	120	100-277 VAC / 120-250 VDC	Diffused Polycarbonate	Medium
LHU-4W(x)2-7DNN-NGN	4'	80	52	7,250	6,950	139	134	100-277 VAC / 120-250 VDC	Clear Polycarbonate	Wide
LGU-4M(x)2-5DNN-NGN	2'	80	37	4,750	4,500	128	122	100-277 VAC / 120-250 VDC	Clear Polycarbonate	Medium
LGU-5M(x)2-5DNN-NGN	2'	80	37	4,450	4,200	120	114	100-277 VAC / 120-250 VDC	Diffused Polycarbonate	Medium
LGU-4W(x)2-5DNN-NGN	2'	80	37	4,750	4,500	128	122	100-277 VAC / 120-250 VDC	Clear Polycarbonate	Wide

All values typical unless otherwise stated (tolerance +/- 10%)  
 CCT placeholders - C=5000K (cool white), N= 4000K (neutral white)  
 For additional ordering options, please consult factory.

Medium



Wide



**DISCLAIMER.** All product information provided is, to the best of Dialight's knowledge, accurate as of the date of publication. When ordering, refer to [www.dialight.com](http://www.dialight.com) for current versions of: (a) relevant product documentation (including the relevant product data sheets); (b) Dialight terms and conditions of sale; and, (c) the relevant product warranty. To the extent that any contract is deemed formed between Dialight and the purchaser of Dialight products and/or an end-user, versions of documents available at [www.dialight.com](http://www.dialight.com) as at the date of sale shall be the versions incorporated therein. In the event of any discrepancy between this document or information provided at [www.dialight.com](http://www.dialight.com), the latter shall prevail.

# DuroSite® LED Area Light

347/480 VAC

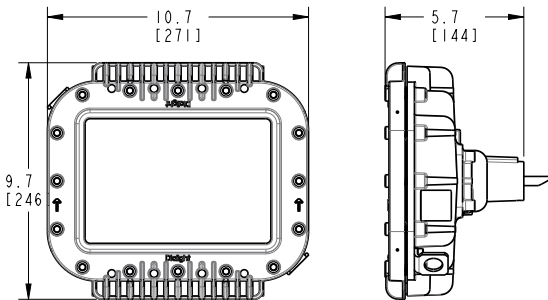


## Certifications & Ratings\*

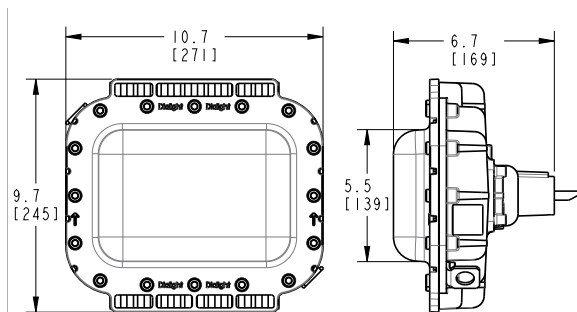
- 5 year warranty
- L70 > 100,000h @ 25°C
- UL 1598/A
- CSA C22.2 No. 250
- NOM
- IP66 / 67
- NEMA 4X

\*ETL listed

## Tempered Glass Lens



## Polycarbonate Lens



Dimensions in inches [mm]

## Mechanical Information:

<b>Fixture weight:</b>	10 lb (4.5 kg) - Polycarbonate lens 12 lb (5.5 kg) - Tempered glass lens
<b>with stainless steel bracket:</b>	13 lb (5.9 kg) - Polycarbonate lens 15 lb (6.8 kg) - Tempered glass lens
<b>Shipping weight:</b>	Add 2 lb (0.91 kg) to weights above
<b>Cabling:</b>	10' (3.5 m) 5 conductor SOOW 14" (0.4 m) 5 conductor SOOW Terminal block option available for wall, wall 45° and stanchion 45°
<b>Impact rating:</b>	IK10 - Polycarbonate lens IK07 - Tempered glass lens
<b>Cabling:</b>	10' STOOW 1.02 mm 18 AWG

## Electrical Specifications:

<b>Operating voltage:</b>	347/480 VAC
<b>Total system power consumption:</b>	See table
<b>Operating temperature:</b>	-40°F to +149°F (-40°C to +65°C)
<b>EMC:</b>	FCC Title 47, Subpart B, Section 15, Class A device CISPR-15 RF Immunity 20V/m 80MHz-1GHz.
<b>Transient protection:</b>	6 kV, 2 Ohm line-line and line-ground
<b>Harmonics:</b>	IEC 61000-3-2, Class C
<b>THD:</b>	< 20%
<b>Power factor:</b>	> 0.9

## Construction:

<b>Housing:</b>	Copper-free aluminum
<b>Finish:</b>	Superior dual coat finish - Sealed polyester topcoat - Epoxy primer
<b>Lens:</b>	Hard-coated polycarbonate Tempered glass

## Photometric Information:

<b>CRI:</b>	75
<b>CCT:</b>	5000K (cool white)
<b>Optics:</b>	360° 180° forward throw for 45° mounting Wide for 0° mounting

All values typical unless otherwise stated (tolerance +/- 10%)

**WARNING - INSTALLATION & SECONDARY RETENTION.** Use of any Dialight products without proper installation (including secondary retention / netting) and periodic inspections could cause severe injury or death. Dialight recommends that all installations should use secondary retention / netting (appropriate to the installation environment) where applicable. It is the exclusive responsibility of the contractor, installer and/or end-user to: (a) determine the suitability of the product for its intended application; and, (b) ensure that the product is safely installed (with secondary retention / netting where appropriate) and in compliance with all applicable laws and regulations. To the extent permissible under applicable laws, Dialight disclaims all liability for personal injury and/or other damage resulting from any dislodgment or other dislocation of its products.

# DuroSite® LED Area Light

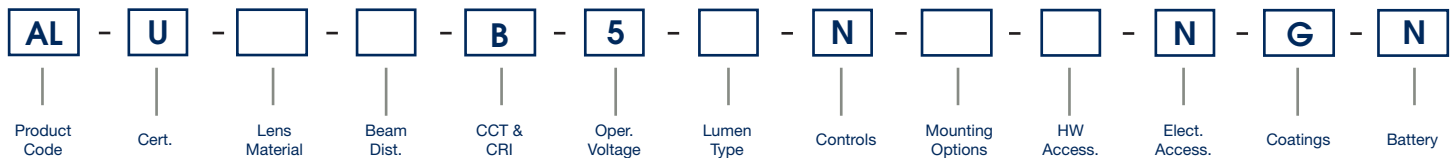
347/480 VAC



Project Information	
Part Number:	
Project:	
Fixture Type:	Date:

Specifications

## Ordering Information



Product Code
AL Area Light

Certification
U UL 1598/A CSA 22.2 No. 250.0

Lens Material
5 Polycarbonate - Diffused
7 Tempered Glass - Clear

Beam Distribution
A 180°
B 360°

CCT & CRI
B Cool White 5000K - 70 CRI

Operating Voltage
5 347/480 VAC

Lumen Type
2 2,200 Lumens
4 4,000 Lumens
5 5,000 Lumens
6 6,000 Lumens
7 7,200 Lumens

\*For lumen output see page 22

Controls
N No Options

Mounting Options
Retro-fit Adapter
Universal Mounting Adapter (UMA)
B Swivel Bracket, Locking 0°- 90° 316 Stainless Steel
N 3/4" NPT Pendant
A Appleton Mercmaster III
C Crouse-Hinds - Champ
G GE Filtr-Gard
H Thomas & Betts Hazlux
K Killark Certilite & Certilite V
M Appleton Mercmaster II
P Holophane Petrolux II and III
F Ceiling Mount
R 90° Stanchion Mount (Slip)
S 45° Stanchion Mount
T 90° Stanchion Mount (NPT)
U UMA - Mounting Hub
V 0° Wall Mount
W 45° Wall Mount
Y 34mm Conveyor Mount

Hardware Accessories
N For Mounting Options - A, C, F, G, H, K, M, S, U, V, W, Y (individual wire leads are terminated in adapter housing)
W 10 ft (3 meter) Power Cable for Mounting Options - B, N

Electrical Accessories
N No Option

Coatings
G Gray (RAL 7040)

Battery
N No Option

Notes
1) When using "UMA" or "Retro-fit" mounting options, Hardware Accessories = N.
2) Not all lumen options available for all voltage options, consult table.
3) When ordering Mounting Option U - UMA Mounting Hub HZXW01, HZXW45, HZXS45, HZXS90, HZXT90, HZXFM or HZXC34 are required. See page 28 for details.
4) Lumen outputs shown are for Tempered Glass lens, 360° optic. For additional options please see page 21.

DISCLAIMER. All product information provided is, to the best of Dialight's knowledge, accurate as of the date of publication. When ordering, refer to [www.dialight.com](http://www.dialight.com) for current versions of: (a) relevant product documentation (including the relevant product data sheets); (b) Dialight terms and conditions of sale; and, (c) the relevant product warranty. To the extent that any contract is deemed formed between Dialight and the purchaser of Dialight products and/or an end-user, versions of documents available at [www.dialight.com](http://www.dialight.com) as at the date of sale shall be the versions incorporated therein. In the event of any discrepancy between this document or information provided at [www.dialight.com](http://www.dialight.com), the latter shall prevail.

# Ordering Information

## DuroSite® LED Area Light - 347/480 VAC



### 347/480 VAC Model

Part Number	Initial Fixture Lumens	Wattage	lm/W	CCT	Lens	Beam Distribution	Controls Option	Mounting
ALU-7BB5-7NNW-NGN	7,000	68	103	CW	Tempered Glass	360°	No Option	3/4" NPT
ALU-5BB5-7NNW-NGN	6,900	68	101	CW	Poylcarbonate Diffused	360°	No Option	3/4" NPT
ALU-7AB5-7NNW-NGN	7,000	68	103	CW	Tempered Glass	180°	No Option	3/4" NPT
ALU-5AB5-7NNW-NGN	6,900	68	101	CW	Poylcarbonate Diffused	180°	No Option	3/4" NPT
ALU-7BB5-6NNW-NGN	6,000	58	103	CW	Tempered Glass	360°	No Option	3/4" NPT
ALU-5BB5-6NNW-NGN	5,700	58	98	CW	Poylcarbonate Diffused	360°	No Option	3/4" NPT
ALU-7AB5-6NNW-NGN	6,000	58	103	CW	Tempered Glass	180°	No Option	3/4" NPT
ALU-5AB5-6NNW-NGN	6,000	58	103	CW	Poylcarbonate Diffused	180°	No Option	3/4" NPT
ALU-7BB5-4NNW-NGN	4,000	38	105	CW	Tempered Glass	360°	No Option	3/4" NPT
ALU-5BB5-4NNW-NGN	4,000	38	105	CW	Poylcarbonate Diffused	360°	No Option	3/4" NPT
ALU-7AB5-4NNW-NGN	4,000	38	105	CW	Tempered Glass	180°	No Option	3/4" NPT
ALU-5AB5-4NNW-NGN	4,000	38	105	CW	Poylcarbonate Diffused	180°	No Option	3/4" NPT

### 100-277 VAC, 120-250 VDC Model with Retro-fit Adapters - Crouse Hinds

ALU-7BB5-6NCN-NGN	6,000	58	103	CW	Tempered Glass	360°	No Option	Retro-fit: Crouse Hinds
ALU-5BB5-6NCN-NGN	6,000	58	103	CW	Poylcarbonate Diffused	360°	No Option	Retro-fit: Crouse Hinds
ALU-7AB5-6NCN-NGN	6,000	58	103	CW	Tempered Glass	180°	No Option	Retro-fit: Crouse Hinds
ALU-5AB5-6NCN-NGN	6,000	58	103	CW	Poylcarbonate Diffused	180°	No Option	Retro-fit: Crouse Hinds

See ordering chart for additional options.

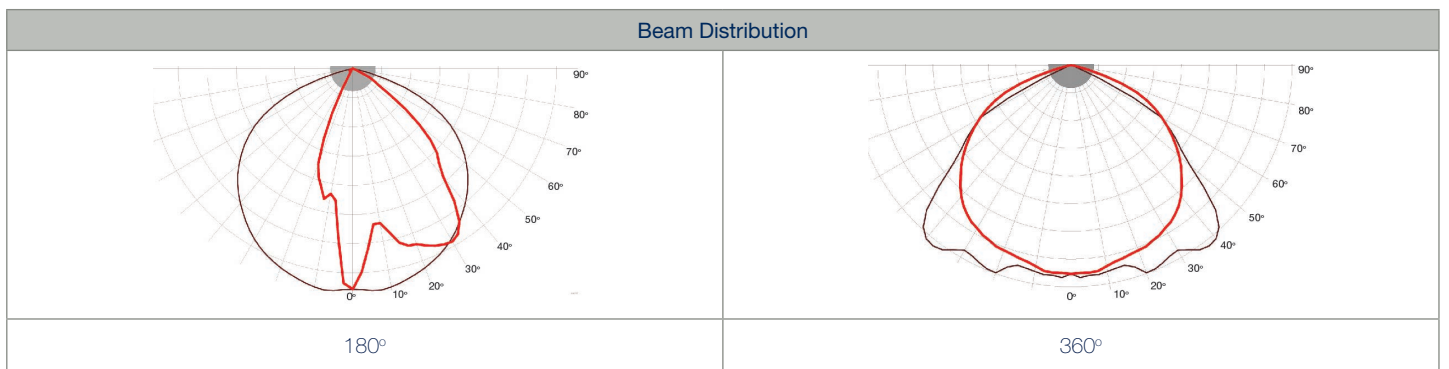
**WARNING - INSTALLATION & SECONDARY RETENTION.** Use of any Dialight products without proper installation (including secondary retention / netting) and periodic inspections could cause severe injury or death. Dialight recommends that all installations should use secondary retention / netting (appropriate to the installation environment) where applicable. It is the exclusive responsibility of the contractor, installer and/or end-user to: (a) determine the suitability of the product for its intended application; and, (b) ensure that the product is safely installed (with secondary retention / netting where appropriate) and in compliance with all applicable laws and regulations. To the extent permissible under applicable laws, Dialight disclaims all liability for personal injury and/or other damage resulting from any dislodgment or other dislocation of its products.

# DuroSite® LED Area Light

## Lumen Tables & Beam Distribution

347/480 VAC							
Output Family	Beam Distribution	Lens	Wattage	Lumens 5000 CCT	5000 CCT lm/W	Lumens 4000 CCT	4000 CCT lm/W
7,250	360°	Tempered Glass	68	7200	107	7100	104
		Class I, Div 1 Glass		6900	102	6800	100
		Polycarbonate		6900	102	6800	100
	180°	Tempered Glass		7200	107	7100	104
		Class I, Div 1 Glass		6900	102	6800	100
		Polycarbonate		6900	102	6800	100
6,000	360°	Tempered Glass	58	6000	103	5800	101
		Class I, Div 1 Glass		5700	99	5600	97
		Polycarbonate		5700	99	5600	97
	180°	Tempered Glass		6000	103	5800	101
		Class I, Div 1 Glass		5700	99	5600	97
		Polycarbonate		5700	99	5600	97
5,000	360°	Tempered Glass	47	5000	106	4900	104
		Class I, Div 1 Glass		4800	102	4700	100
		Polycarbonate		4800	102	4700	100
	180°	Tempered Glass		5000	106	4900	104
		Class I, Div 1 Glass		4800	106	4700	100
		Polycarbonate		4800	102	4700	100
4,100	Wide	Polycarbonate	55	4100	75	4000	73
4,000	360°	Tempered Glass	38	4000	105	3900	103
		Class I, Div 1 Glass		3800	101	3700	99
		Polycarbonate		3800	101	3700	99
	180°	Tempered Glass		4000	105	3900	103
		Class I, Div 1 Glass		3800	101	3700	99
		Polycarbonate		3800	101	3700	99
2,200	360°	Tempered Glass	21	2200	105	2200	105
		Class I, Div 1 Glass		2200	105	2200	105
		Polycarbonate		2200	105	2200	105
	180°	Tempered Glass		2200	105	2200	105
		Class I, Div 1 Glass		2200	105	2200	105
		Polycarbonate		2200	105	2200	105

All values typical unless otherwise stated (tolerance +/- 10%)  
 For lighting layouts, please find IES files at [www.dialight.com](http://www.dialight.com)



**DISCLAIMER.** All product information provided is, to the best of Dialight's knowledge, accurate as of the date of publication. When ordering, refer to [www.dialight.com](http://www.dialight.com) for current versions of: (a) relevant product documentation (including the relevant product data sheets); (b) Dialight terms and conditions of sale; and, (c) the relevant product warranty. To the extent that any contract is deemed formed between Dialight and the purchaser of Dialight products and/or an end-user, versions of documents available at [www.dialight.com](http://www.dialight.com) as at the date of sale shall be the versions incorporated therein. In the event of any discrepancy between this document or information provided at [www.dialight.com](http://www.dialight.com), the latter shall prevail.

# DuroSite® LED Area Light

## Accessories

### Area Lights with Universal Mounting Adapter & Brackets Sold Separately



UMA Area Light  
ALx-xxxx-xxUx-xxN



Stanchion 45°  
HZXS45



Wall 45°  
HZXW45



Wall 0°  
HZXW01



Conveyor  
HZXCV34



Ceiling  
HZXFM



Stanchion 90°  
HZXS90 / HZXT90



Certified to: UL 50E • CSA C22.2 No. 94.2-07

#### HZXSTAN100S

- 1.00" (1.315" Pole OD) Slip-fit stanchion mount

#### HZXSTAN125S

- 1.25" (1.660" Pole OD) Slip-fit stanchion mount

#### HZXSTAN150S

- 1.50" (1.900" Pole OD) Slip-fit stanchion mount

#### HZXSTAN200S

- 2.00" (2.375" Pole OD) Slip-fit stanchion mount

#### HZXSTAN100T

- 1.00" (1.315" Pole OD) NPT threaded stanchion mount

#### HZXSTAN125T

- 1.25" (1.660" Pole OD) NPT threaded stanchion mount

#### HZXSTAN150T

- 1.50" (1.900" Pole OD) NPT threaded stanchion mount

#### HZXSTAN200T

- 2.00" (2.375" Pole OD) NPT threaded stanchion mount



#### HZXW3

- 316 stainless steel bracket

#### HZXW7

- Aluminum bracket



#### HZXW4

- 316 stainless steel bracket with pipe clamp

#### HZXW8

- Aluminum bracket with pipe clamp



Certified to: UL 50E • CSA C22.2 No. 94.2-07

#### HZXJB075

- 0.75" Ceiling / Wall / Pole mount junction box

#### HZXJB100

- 1.00" Ceiling / Wall / Pole mount junction box

#### HZXJB125

- 1.25" Ceiling / Wall / Pole mount junction box

#### HZXJB150

- 1.50" Ceiling / Wall / Pole mount junction box



Certified to: UL 50E • UL 1203

ISA 12.12.01 • CSA C22.2 No. 94.2-07

#### HBXC1

- 0.75" NPT Ceiling mount



#### HZXSAFECBLS

- Safety cable kit

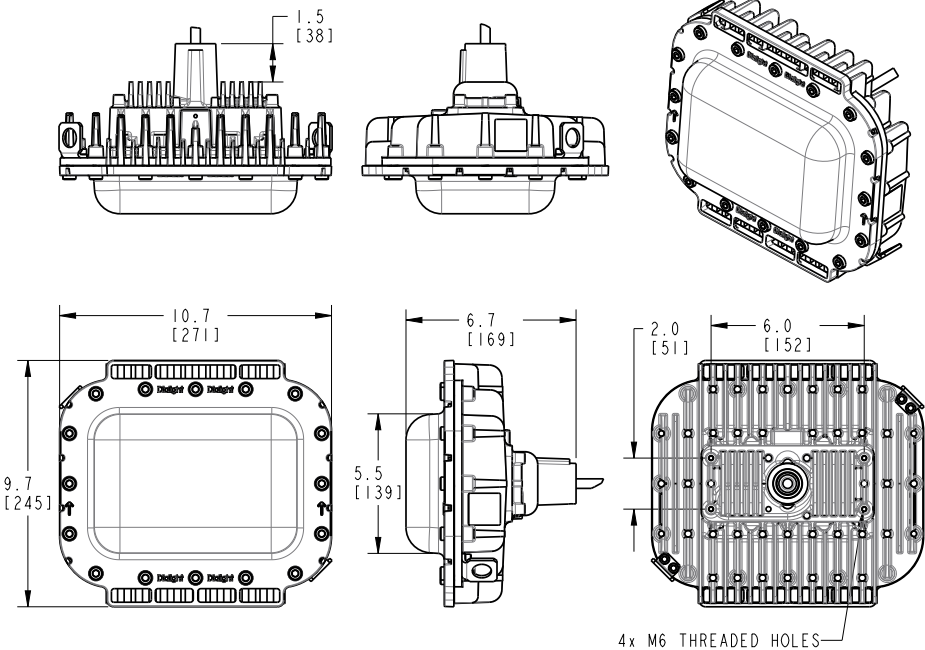
**DISCLAIMER.** All product information provided is, to the best of Dialight's knowledge, accurate as of the date of publication. When ordering, refer to [www.dialight.com](http://www.dialight.com) for current versions of: (a) relevant product documentation (including the relevant product data sheets); (b) Dialight terms and conditions of sale; and, (c) the relevant product warranty. To the extent that any contract is deemed formed between Dialight and the purchaser of Dialight products and/or an end-user, versions of documents available at [www.dialight.com](http://www.dialight.com) as at the date of sale shall be the versions incorporated therein. In the event of any discrepancy between this document or information provided at [www.dialight.com](http://www.dialight.com), the latter shall prevail.



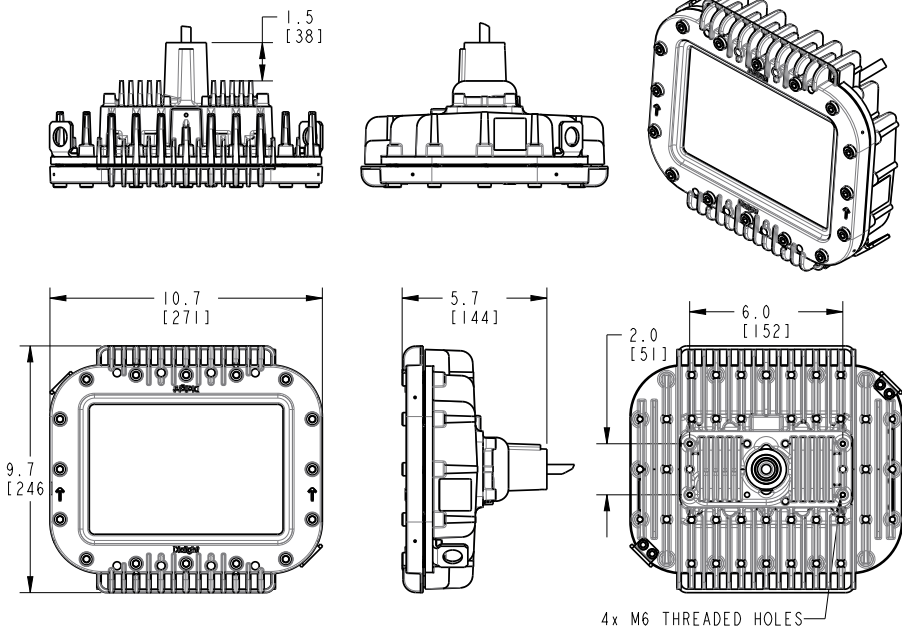
# DuroSite® LED Area Light

## Dimensional Drawings

Polycarbonate Lens - Option 5



Tempered Glass Lens - Option 7



DISCLAIMER. All product information provided is, to the best of Dialight's knowledge, accurate as of the date of publication. When ordering, refer to [www.dialight.com](http://www.dialight.com) for current versions of: (a) relevant product documentation (including the relevant product data sheets); (b) Dialight terms and conditions of sale; and, (c) the relevant product warranty. To the extent that any contract is deemed formed between Dialight and the purchaser of Dialight products and/or an end-user, versions of documents available at [www.dialight.com](http://www.dialight.com) as at the date of sale shall be the versions incorporated therein. In the event of any discrepancy between this document or information provided at [www.dialight.com](http://www.dialight.com), the latter shall prevail.

# DuroSite® LED Area Light

## Retro-fit Options

Retro-fit adapters can be factory installed. See product ordering information for details.

- Eaton's Crouse-Hinds – Champ®
- GE Lighting Solutions – Filtr-Gard™
- Holophane Petrolux® II, III
- Thomas & Betts Hazlux®
- Appleton® Mercmaster III
- Appleton® Mercmaster II
- Killark® Certilite® & Certilite® V

\*Petrolux adapter available as a standalone accessory only



Eaton's Crouse-Hinds – Champ® - HZXTHCH				
Pendant	Ceiling	Wall	Stanchion	Quad Mount
APM2	CM2	TWM2	JM5	QM25
APM3	CM3	TWM3	PM5	
HPM2				



GE Lighting Solutions – Filtr-Gard™ - HZXTHGE				
Pendant	Ceiling	Wall	Stanchion	Quad Mount
3P	3F	3C	3W	5S
4P	4F		4W	6S
				5J, 6J



Holophane® Petrolux II, III - HZXTHP3				
Pendant	Universal	Stanchion	Ceiling	Wall
PD	UN	SA	CD	WL
GH		ST	CE	W
P		A	B, C, D	

Please reference spec sheet at [www.dialight.com](http://www.dialight.com) for all dimensional drawings of retro-fit options.

**DISCLAIMER.** All product information provided is, to the best of Dialight's knowledge, accurate as of the date of publication. When ordering, refer to [www.dialight.com](http://www.dialight.com) for current versions of: (a) relevant product documentation (including the relevant product data sheets); (b) Dialight terms and conditions of sale; and, (c) the relevant product warranty. To the extent that any contract is deemed formed between Dialight and the purchaser of Dialight products and/or an end-user, versions of documents available at [www.dialight.com](http://www.dialight.com) as at the date of sale shall be the versions incorporated therein. In the event of any discrepancy between this document or information provided at [www.dialight.com](http://www.dialight.com), the latter shall prevail.

# DuroSite® LED Area Light

## Retro-fit Options



Thomas & Betts Hazlux® - HZXTHTB				
Pendant	Pendant Cone	Flexible Pendant	Ceiling	Wall
VP2	VA2	VF2	VC2	VB2
VP3	VA3	VF3	VC3	VB3
Wall	25° Angle Stanchion	25° Angle Stanchion	Straight Stanchion	Straight Stanchion
VB2-VIB	VS4	VS4-VIB	VL4	VL4-VIB
VB3-VIB	VS5	VS5-VIB	VL5	VL5-VIB



Appleton® Mercmaster III - HZXTHAP			
Pendant	Ceiling	Wall	Stanchion
KPA-75, 100	KPC-75	KPWB-75	KPS-125
KPAF-75, 100	KPC-100	KPWB-100	KPS-150
KPCH-75, 100			KPST-125
			KPST-150



Appleton® Mercmaster II - HZXTHM2			
Pendant	Ceiling	Wall	Stanchion
LPA-75	LPC-75	LPWB-75	LPS-125
LPA-100	LPC-100	LPWB-100	LPS-150



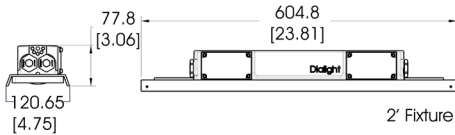
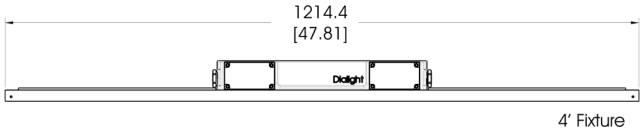
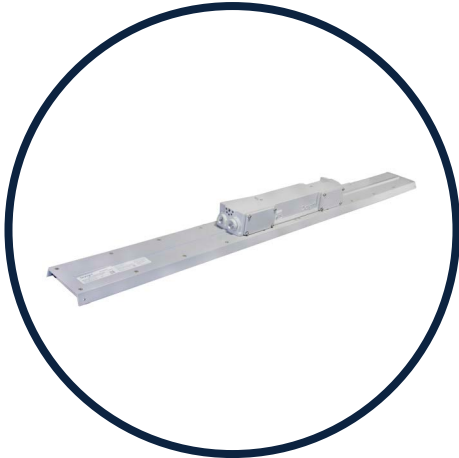
Killark® Certilite® & Certilite® V - HZXTHKL			
Pendant	Ceiling	Wall	Stanchion
VMA2B & VMA-2	VMX2B & VMX-2	VMB2B & VMB-2	VMD4B
VMA3B & VMA-3	VMX3B & VMX-3	VMB3B & VMB-3	VMD5B
VMC2B & VMC-2	VMX6B, 7B, 8B, 9B		VMS5B
VMC3B & VMC-3			
VMF2B, 3B			

Please reference spec sheet at [www.dialight.com](http://www.dialight.com) for all dimensional drawings of retro-fit options.

**DISCLAIMER.** All product information provided is, to the best of Dialight's knowledge, accurate as of the date of publication. When ordering, refer to [www.dialight.com](http://www.dialight.com) for current versions of: (a) relevant product documentation (including the relevant product data sheets); (b) Dialight terms and conditions of sale; and, (c) the relevant product warranty. To the extent that any contract is deemed formed between Dialight and the purchaser of Dialight products and/or an end-user, versions of documents available at [www.dialight.com](http://www.dialight.com) as at the date of sale shall be the versions incorporated therein. In the event of any discrepancy between this document or information provided at [www.dialight.com](http://www.dialight.com), the latter shall prevail.

# DuroSite® LED Linear - Low Profile

## Technical Specifications



Dimensions in inches [mm]

### Certifications & Ratings

- UL 1598/A\*
- CSA C22.2 No. 250\*
- IP66/67
- NEMA 4X
- 5 year warranty

\*ETL listed

### Mechanical Information:

- Fixture weight:** 4' - 10 lb (4.5 kg)  
2' - 7 lb (3.2 kg)
- Shipping weight:** 4' - 11 lb (5.0 kg)  
2' - 8 lb (3.6 kg)
- Mounting:** (4) 3/4" NPT openings  
Optional swivel bracket - LPXW4  
Optional low profile bracket - LPXW4LP

### Electrical Specifications:

- Operating voltage:** 100-277 VAC, 50/60Hz
- Power consumption:** See ordering information
- Operating temp:** -40°F to +149°F (-40°C to +65°C)
- Harmonics:** IEC 61000-3-2
- Noise requirements/EMC:** FCC Title 47, Subpart B, Section 15, Class A device. RF Immunity; 10V/m, 80MHz-1GHz
- Surge protection:** EN 61000-4-5  
4 kV line-to-line  
4 kV line-to-ground
- THD:** < 20%
- Power factor:** > 0.9

Power supply equipped with inline fuse

### Construction:

- Finish:** Superior dual coat finish  
- Sealed polyester topcoat  
- Chemical resistant epoxy primer
- Lens:** Polycarbonate

### Photometric Information:

- CRI:** 80
- CCT:** 5000K (cool white)  
4000K (neutral white)
- IES files:** Available at [www.dialight.com](http://www.dialight.com)

All values typical unless otherwise stated (tolerance +/- 10%)

**WARNING - INSTALLATION & SECONDARY RETENTION.** Use of any Dialight products without proper installation (including secondary retention / netting) and periodic inspections could cause severe injury or death. Dialight recommends that all installations should use secondary retention / netting (appropriate to the installation environment) where applicable. It is the exclusive responsibility of the contractor, installer and/or end-user to: (a) determine the suitability of the product for its intended application; and, (b) ensure that the product is safely installed (with secondary retention / netting where appropriate) and in compliance with all applicable laws and regulations. To the extent permissible under applicable laws, Dialight disclaims all liability for personal injury and/or other damage resulting from any dislodgment or other dislocation of its products.

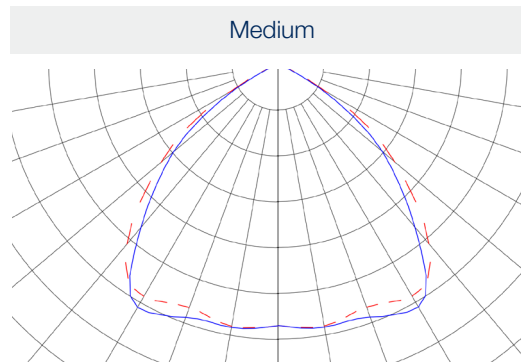
# DuroSite® LED Linear - Low Profile

## Ordering Information & Accessories

Part Number	Length	CRI	Fixture Lumens	Watt	lm/W	Voltage	CCT	Lens	Beam Distribution
LPM3C4M2P	4'	80	7,900	60	132	100-277 VAC	5000K (cool white)	Clear Polycarbonate	Medium
LPM3C4H2W	4'	80	7,100	60	118	100-277 VAC	5000K (cool white)	Diffused Polycarbonate	Medium
LPM3N4M2P	4'	80	7,300	60	122	100-277 VAC	4000K (neutral white)	Clear Polycarbonate	Medium
LPM3N4H2W	4'	80	6,700	60	112	100-277 VAC	4000K (neutral white)	Diffused Polycarbonate	Medium
LPM3C4D2P	2'	80	3,850	29	133	100-277 VAC	5000K (cool white)	Clear Polycarbonate	Medium
LPM3C4B2W	2'	80	3,500	29	121	100-277 VAC	5000K (cool white)	Diffused Polycarbonate	Medium
LPM3N4D2P	2'	80	3,600	29	124	100-277 VAC	4000K (neutral white)	Clear Polycarbonate	Medium
LPM3N4B2W	2'	80	3,300	29	114	100-277 VAC	4000K (neutral white)	Diffused Polycarbonate	Medium

All values typical unless otherwise stated (tolerance +/- 10%).

The part numbers in the above table are provided in 5000K (cool white). To order part numbers in 4000K (neutral white), please change the 5th character to an **N**. Ex. LPM3**C**4M2P becomes LPM3**N**4M2P.



### LPXW4

- 316 stainless steel mounting bracket
- Can be angled at 0°, 30°, 45°, 60° & 90°



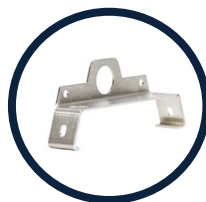
### LPXW4LP

- 316 stainless steel low profile mounting bracket
- Can be angled at 0° and 15°



### LTXSAFEKIT

- Stainless steel safety cable kit for secondary retention



### LTXENDCAPKIT

- 304 stainless steel chain mount and secondary retention bracket

**DISCLAIMER.** All product information provided is, to the best of Dialight's knowledge, accurate as of the date of publication. When ordering, refer to [www.dialight.com](http://www.dialight.com) for current versions of: (a) relevant product documentation (including the relevant product data sheets); (b) Dialight terms and conditions of sale; and, (c) the relevant product warranty. To the extent that any contract is deemed formed between Dialight and the purchaser of Dialight products and/or an end-user, versions of documents available at [www.dialight.com](http://www.dialight.com) as at the date of sale shall be the versions incorporated therein. In the event of any discrepancy between this document or information provided at [www.dialight.com](http://www.dialight.com), the latter shall prevail.

# DuroSite® LED Linear - Top Conduit

## Technical Specifications



### Certifications & Ratings

- UL 1598/A\*
- CSA C22.2 No. 250\*
- IP66
- NEMA 4X
- 5 year warranty

\*ETL listed

### Mechanical Information:

- Fixture weight:** 4' - 10 lb (4.5 kg)  
2' - 7 lb (3.2 kg)
- Shipping weight:** 4' - 11 lb (5.0 kg)  
2' - 8 lb (3.6 kg)
- Mounting:** (3) 3/4" NPT openings  
Optional swivel bracket - LTXW4  
Optional low profile bracket - LTXW4LP

### Electrical Specifications:

- Operating voltage:** 100-277 VAC, 50/60Hz
- Power consumption:** See ordering information
- Operating temp:** -40°F to +149°F (-40°C to +65°C)
- Harmonics:** IEC 61000-3-2
- Noise requirements/EMC:** FCC Title 47, Subpart B, Section 15, Class A device. RF Immunity; 10V/m, 80MHz-1GHz
- Surge protection:** EN 61000-4-5  
4 kV line-to-line  
4 kV line-to-ground
- THD:** < 20%
- Power factor:** > 0.9

Power supply equipped with inline fuse

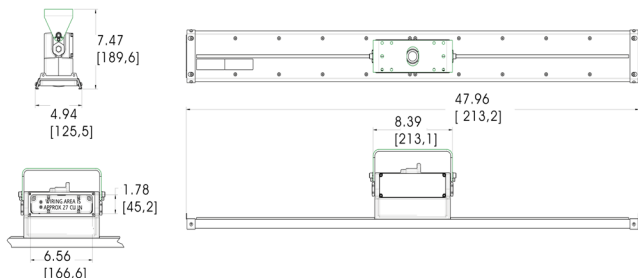
### Construction:

- Finish:** Superior dual coat finish  
- Sealed polyester topcoat  
- Chemical resistant epoxy primer
- Lens:** Polycarbonate

### Photometric Information:

- CRI:** 80
- CCT:** 5000K (cool white)  
4000K (neutral white)
- IES files:** Available at [www.dialight.com](http://www.dialight.com)

All values typical unless otherwise stated (tolerance +/- 10%)



Dimensions in inches [mm]

**WARNING - INSTALLATION & SECONDARY RETENTION.** Use of any Dialight products without proper installation (including secondary retention / netting) and periodic inspections could cause severe injury or death. Dialight recommends that all installations should use secondary retention / netting (appropriate to the installation environment) where applicable. It is the exclusive responsibility of the contractor, installer and/or end-user to: (a) determine the suitability of the product for its intended application; and, (b) ensure that the product is safely installed (with secondary retention / netting where appropriate) and in compliance with all applicable laws and regulations. To the extent permissible under applicable laws, Dialight disclaims all liability for personal injury and/or other damage resulting from any dislodgment or other dislocation of its products.



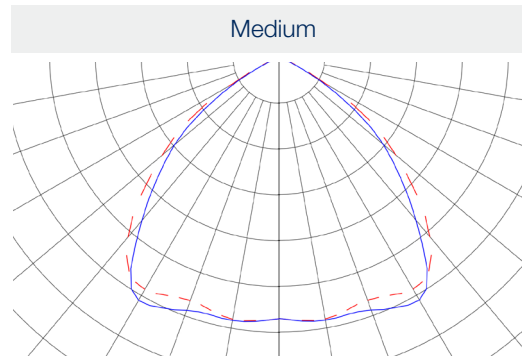
# DuroSite® LED Linear - Top Conduit

## Ordering Information & Accessories

Part Number	Length	CRI	Fixture Lumens	Watt	lm/W	Voltage	CCT	Lens	Beam Distribution
LTM3C4M2P	4'	80	7,900	60	132	100-277 VAC	5000K (cool white)	Clear Polycarbonate	Medium
LTM3C4H2W	4'	80	7,100	60	118	100-277 VAC	5000K (cool white)	Diffused Polycarbonate	Medium
LTM3N4M2P	4'	80	7,300	60	122	100-277 VAC	4000K (neutral white)	Clear Polycarbonate	Medium
LTM3N4H2W	4'	80	6,700	60	112	100-277 VAC	4000K (neutral white)	Diffused Polycarbonate	Medium
LTM3C4D2P	2'	80	3,850	29	133	100-277 VAC	5000K (cool white)	Clear Polycarbonate	Medium
LTM3C4B2W	2'	80	3,500	29	121	100-277 VAC	5000K (cool white)	Diffused Polycarbonate	Medium
LTM3N4D2P	2'	80	3,600	29	124	100-277 VAC	4000K (neutral white)	Clear Polycarbonate	Medium
LTM3N4B2W	2'	80	3,300	29	114	100-277 VAC	4000K (neutral white)	Diffused Polycarbonate	Medium

All values typical unless otherwise stated (tolerance +/- 10%).

Part numbers listed in the table above are cool white. For neutral white model, replace the 5th character with N. Ex. LTM3C4D2P becomes LTM3N4D2P



### LTXW4

- Mounting bracket
- Can be angled at 0°, 30°, 45°, 60° & 90°



### LTXW4LP

- Mounting bracket
- Can be angled at 0° and 15°



### LTXSAFEKIT

- Stainless steel safety cable kit for secondary retention



### LTXENDCAPKIT

- 304 stainless steel chain mount and secondary retention bracket



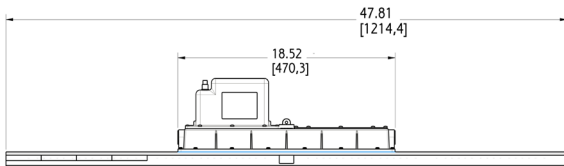
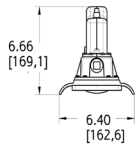
### LTXLSXW4

- Retrofit bracket adapter used to connect LTM model fixtures to an existing LSXW4 bracket

**DISCLAIMER.** All product information provided is, to the best of Dialight's knowledge, accurate as of the date of publication. When ordering, refer to [www.dialight.com](http://www.dialight.com) for current versions of: (a) relevant product documentation (including the relevant product data sheets); (b) Dialight terms and conditions of sale; and, (c) the relevant product warranty. To the extent that any contract is deemed formed between Dialight and the purchaser of Dialight products and/or an end-user, versions of documents available at [www.dialight.com](http://www.dialight.com) as at the date of sale shall be the versions incorporated therein. In the event of any discrepancy between this document or information provided at [www.dialight.com](http://www.dialight.com), the latter shall prevail.

# DuroSite® LED Linear - Battery Backup

## Technology Specifications



Dimensions in inches [mm]

### Certifications & Ratings\*

- UL 1598/A\*
- UL 924\*
- CSA C22.2 No. 250\*
- IP66
- NEMA 4X
- 5 year warranty

\*ETL listed

### Mechanical Information:

<b>Fixture weight:</b>	18 lb (8.2 kg)
<b>Shipping weight:</b>	21 lb (9.5 kg)
<b>Mounting:</b>	(1) Threaded 3/4" NPT side (2) Threaded 3/4" NPT ends

### Electrical Specifications:

<b>Operating voltage:</b>	120-277 VAC, 50/60Hz
<b>Power consumption:</b>	85W
<b>Operating temp:</b>	-4°F to +149°F (-20°C to +65°C)
<b>Battery:</b>	3.6V 10Ah Nimh
<b>Battery life*:</b>	3 years
<b>Battery duration*:</b>	> 3 hours
<b>Lumen output in Battery Mode:</b>	450lm
<b>Harmonics:</b>	IEC 61000-3-2
<b>Noise requirements/EMC:</b>	FCC Title 47, Subpart B, Section 15, Class A device. RF Immunity; 10V/m, 80MHz-1GHz
<b>Surge protection:</b>	EN 61000-4-5 1 kV line to line 2 kV line to ground
<b>THD:</b>	< 20%
<b>Power factor:</b>	> 0.9

### Construction:

<b>Finish:</b>	Superior dual coat finish - Sealed polyester topcoat - Chemical resistant epoxy primer
<b>Lens:</b>	Polycarbonate

### Photometric Information:

<b>Light output in emergency mode:</b>	450 lumens
<b>CRI:</b>	75
<b>CCT:</b>	5000K (cool white) 4000K (neutral white)
<b>IES files:</b>	Available upon request

All values typical unless otherwise stated (tolerance +/- 10%)

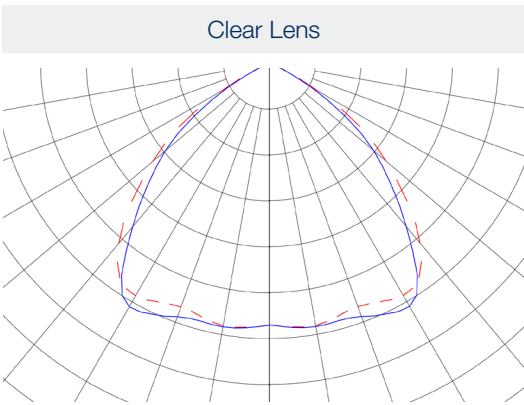
**WARNING - INSTALLATION & SECONDARY RETENTION.** Use of any Dialight products without proper installation (including secondary retention / netting) and periodic inspections could cause severe injury or death. Dialight recommends that all installations should use secondary retention / netting (appropriate to the installation environment) where applicable. It is the exclusive responsibility of the contractor, installer and/or end-user to: (a) determine the suitability of the product for its intended application; and, (b) ensure that the product is safely installed (with secondary retention / netting where appropriate) and in compliance with all applicable laws and regulations. To the extent permissible under applicable laws, Dialight disclaims all liability for personal injury and/or other damage resulting from any dislodgment or other dislocation of its products.

# DuroSite® LED Linear - Battery Backup

## Ordering Information & Accessories

Part Number	Length	Type	CRI	Fixture Lumens	Watt	lm/W	Warranty	Voltage	CCT	Lens	Beam Distribution
LSM3C4MEP	4'	Sustained	75	7,000	85	82	3yr	120- 277 VAC	5000K (cool white)	Clear Polycarbonate	Medium
LSM3C4MNP	4'	Maintained	75	7,000	85	82	3yr	120-277 VAC	5000K (cool white)	Clear Polycarbonate	Medium

All values typical unless otherwise stated (tolerance +/- 10%).  
 The part numbers in the above table are provided in Cool White. To order part numbers in Neutral White, please change the 5th character to an **N**. Ex. LSM3**C**4MEP becomes LSM3**N**4MEP



- LSXW4**
- Aluminum mounting bracket
  - Can be angled at 0°, 30°, 45°, 60° & 90°



- LSXENDCAPKIT**
- 304 stainless steel chain mounting brackets



- HZXSAFEKIT**
- Stainless steel safety cable kit

DISCLAIMER. All product information provided is, to the best of Dialight's knowledge, accurate as of the date of publication. When ordering, refer to [www.dialight.com](http://www.dialight.com) for current versions of: (a) relevant product documentation (including the relevant product data sheets); (b) Dialight terms and conditions of sale; and, (c) the relevant product warranty. To the extent that any contract is deemed formed between Dialight and the purchaser of Dialight products and/or an end-user, versions of documents available at [www.dialight.com](http://www.dialight.com) as at the date of sale shall be the versions incorporated therein. In the event of any discrepancy between this document or information provided at [www.dialight.com](http://www.dialight.com), the latter shall prevail.

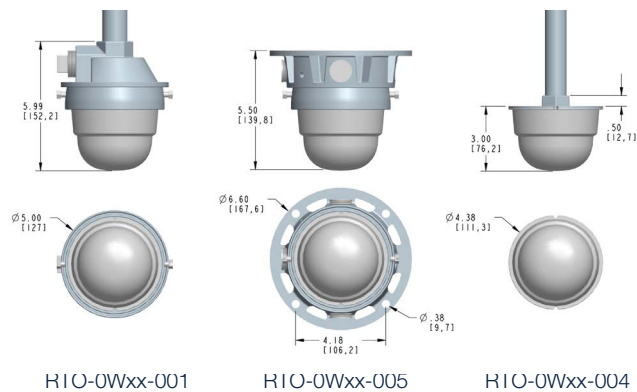
# DuroSite® LED RTO Area Light

## Technical Specifications



### Certifications & Ratings

- 5 year warranty
- UL 1598
- IP66



Dimensions in inches [mm]

### Mechanical Information:

**Fixture weight:** RTO0Wxx001: 2.5 lbs (1.13 kg)  
RTO0Wxx005: 3.2 lbs (1.45 kg)  
RTO0Wxx004: 0.8 lbs (0.36 Kg)

**Shipping weight:** RTO0Wxx001: 3.0 lbs (1.36 kg)  
RTO0Wxx005: 4.5 lbs (2.04 kg)  
RTO0Wxx004: 1.4 lbs (0.64 Kg)

### Mounting:

Pendant Mount: 1" & 3/4" NPT reducer bi-directional  
Ceiling Mount: 3/4" NPT 5-way surfac  
Pendant Mount: 3/4" NPT threaded conduit

### Electrical Specifications:

**Operating Voltage:** 100 - 277V AC, 50/60 Hz  
12 - 48V DC

**Total system power consumption:** See table

**Operating Temp:** -40°F to +133°F (-40°C to +55°C)

**Harmonics:** IEC 61000-3-2

**Noise requirement /EMC:** FCC Title 47, Subpart B, Section 15, class A device. RF Immunity; 10V/m, 80MHz-1GHz

**Transient protection:** 1 kV line to line  
2 kV line to ground

**THD:** <20%

**Power Factor:** > 0.9

### Construction:

**Housing:** Copper free aluminum

**Finish:** Superior dual coat finish  
Sealed polyester topcoat  
Chemical-resistant epoxy prime

**Lens:** UV stabilized abrasion resistant polycarbonate

### Photometric Information:

**CRI:** 75

**CCT:** 6000K (cool white)

All values typical unless otherwise stated (tolerance +/- 10%)

**WARNING - INSTALLATION & SECONDARY RETENTION.** Use of any Dialight products without proper installation (including secondary retention / netting) and periodic inspections could cause severe injury or death. Dialight recommends that all installations should use secondary retention / netting (appropriate to the installation environment) where applicable. It is the exclusive responsibility of the contractor, installer and/or end-user to: (a) determine the suitability of the product for its intended application; and, (b) ensure that the product is safely installed (with secondary retention / netting where appropriate) and in compliance with all applicable laws and regulations. To the extent permissible under applicable laws, Dialight disclaims all liability for personal injury and/or other damage resulting from any dislodgment or other dislocation of its products.

# DuroSite® LED RTO Area Light

## Ordering Information & Accessories

Part Number	Type	Fixture Lumens	Watt	lm/W	Voltage	CCT	Lens	Beam Distribution
<b>Standard models - 100-277 VAC</b>								
RTO0W17005	Ceiling mount with junction box	800	8	100	100-277 VAC	6000K (cool white)	Clear polycarbonate	Circular
RTO0W17004	Pendant mount	800	8	100	100-277 VAC	6000K (cool white)	Clear polycarbonate	Circular
RTO0W17001	Pendant mount with junction box	800	8	100	100-277 VAC	6000K (cool white)	Clear polycarbonate	Circular
RTO0W07005	Ceiling mount with junction box	470	8	59	100-277 VAC	6000K (cool white)	Clear polycarbonate	Circular
RTO0W07004	Pendant mount	470	8	59	100-277 VAC	6000K (cool white)	Clear polycarbonate	Circular
RTO0W07001	Pendant mount with junction box	470	8	59	100-277 VAC	6000K (cool white)	Clear polycarbonate	Circular
<b>Standard Models - 24-48 VDC</b>								
RTO0W18005	Ceiling mount with junction box	800	8	100	24-48 VDC	6000K (cool white)	Clear polycarbonate	Circular
RTO0W18004	Pendant mount	800	8	100	24-48 VDC	6000K (cool white)	Clear polycarbonate	Circular
RTO0W18001	Pendant mount with junction box	800	8	100	24-48 VDC	6000K (cool white)	Clear polycarbonate	Circular
RTO0W08005	Ceiling mount with junction box	470	8	59	24-48 VDC	6000K (cool white)	Clear polycarbonate	Circular
RTO0W08004	Pendant mount	470	8	59	24-48 VDC	6000K (cool white)	Clear polycarbonate	Circular
RTO0W08001	Pendant mount with junction box	470	8	59	24-48 VDC	6000K (cool white)	Clear polycarbonate	Circular

All values typical unless otherwise stated (tolerance +/- 10%).



### Pendant Mount

- 3/4" NPT-threaded conduit



### Pendant Mount with Junction Box

- 1" & 3/4" NPT reducer  
bi-directional mounting



### Ceiling Mount with Junction Box

- 3/4" 5-way surface  
mounting



### RTO1000

- Flush wall mount



### RTO1001

- Junction box wall mount

**DISCLAIMER.** All product information provided is, to the best of Dialight's knowledge, accurate as of the date of publication. When ordering, refer to [www.dialight.com](http://www.dialight.com) for current versions of: (a) relevant product documentation (including the relevant product data sheets); (b) Dialight terms and conditions of sale; and, (c) the relevant product warranty. To the extent that any contract is deemed formed between Dialight and the purchaser of Dialight products and/or an end-user, versions of documents available at [www.dialight.com](http://www.dialight.com) as at the date of sale shall be the versions incorporated therein. In the event of any discrepancy between this document or information provided at [www.dialight.com](http://www.dialight.com), the latter shall prevail.

# SafeSite® Ultra-Efficient LED High Bay - UL / CSA

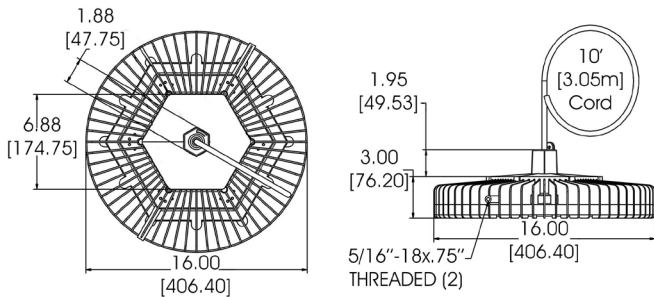
## Technical Information

### Corded Model



#### Mechanical Information:

- Fixture weight:**  
18 lbs (8.16kg)
- Shipping weight:**  
24 lbs (10.8kg)
- Mounting:**  
3/4" NPT - top  
Various Kits
- Power Cord:**  
10' 18 AWG ST00W/S00W  
Patent pending

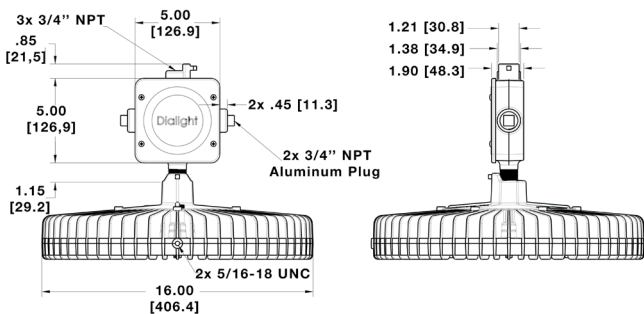


### Integrated Wiring Box Model



#### Mechanical Information:

- Fixture weight:**  
20 lbs (9 kg)
- Shipping weight:**  
26 lbs (12 kg)
- Mounting:**  
3/4" NPT or Hook
- Wiring Box Cable Entries:**  
(2x) 3/4" NPT



Dimensions in inches (mm)

#### Temperature Ratings:

**Ambient Temp Range**  
**T4 Temp Code:** -40°F to +149°F (-40°C to +65°C)

**Ambient Temp Range**  
**T5 Temp Code:** -40°F to +131°F (-40°C to +50°C)

#### Certifications & Ratings:

- 10 year warranty
- UL 844 (wet locations)
- CSA 22.2 No. 137-M81
- IP66/67
- NEMA 4X
- UL 8750
- L70 rated for >150,000 hours
- Class I, Div. 2 Groups A, B, C, D
- Class I, Zone 2, Group IIC
- Class II, Div. 1 Groups E, F, G (corded model only)
- Class II, Div. 2 Groups F, G
- Class III, Div. 1 & 2

#### Variable Dimming:

- Variable Dimming Control:** 0-10 VDC
- Dimming Range:** 10 VDC = 100% light output  
0 VDC = <10% light output

#### Electrical Specifications:

- Operating voltage:** 100-277 VAC, 120-250 VDC  
347-480 VAC
- Power consumption:** See table
- Operating temp:** -40°F to +149°F (-40°C to +65°C)
- Harmonics:** IEC 61000-3-2 Class C
- Noise requirement /EMC:** FCC Title 47, Subpart B, Section 15, Class A device. RF Immunity; 10V/m, 80MHz-1GHz
- Transient protection:** 100-277 VAC models tested to withstand up to 8kV/4kA per IEEE C62.41  
347-480VAC models tested to withstand up to 6kV/3kA per IEEE C62.41
- THD:** < 20%
- Power factor:** >0.9
- Fusing:** Internal

#### Construction:

- Housing:** Copper free aluminum
- Finish:** Superior dual coat finish  
Sealed polyester topcoat  
Chemical-resistant epoxy primer
- Lens:** See table

#### Photometric Information:

- CRI:** 80, 70
- CCT:** 5000K (cool white)  
4000K (neutral white)

All values typical unless otherwise stated (tolerance +/- 10%)

**WARNING - INSTALLATION & SECONDARY RETENTION.** Use of any Dialight products without proper installation (including secondary retention / netting) and periodic inspections could cause severe injury or death. Dialight recommends that all installations should use secondary retention / netting (appropriate to the installation environment) where applicable. It is the exclusive responsibility of the contractor, installer and/or end-user to: (a) determine the suitability of the product for its intended application; and, (b) ensure that the product is safely installed (with secondary retention / netting where appropriate) and in compliance with all applicable laws and regulations. To the extent permissible under applicable laws, Dialight disclaims all liability for personal injury and/or other damage resulting from any dislodgment or other dislocation of its products.



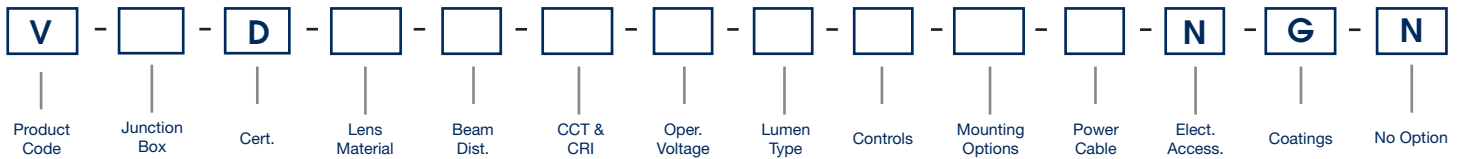
# SafeSite® Ultra-Efficient LED High Bay - UL / CSA

## Ordering Information - Corded Model & Integrated Wiring Box Model



Project Information			Specifications		
Part Number:					
Project:					
Fixture Type:		Date:			

### Ordering Information



#### Product Code

V SafeSite® High Ultra-Efficient

#### Junction Box

C Wiring Box<sup>2</sup>

E No Junction Box

#### Certification

D UL 844 CID2, CII, CIII  
Class I, Zone 2

#### Lens Material

4 Polycarbonate - Clear

7 Glass - Clear

L Polycarbonate Dome - Diffused

#### Beam Distribution

E Aisle

M Medium

N Narrow

R High Efficacy Round

#### CCT & CRI

B Cool White 5000K - 70 CRI

C Cool White 5000K - 80 CRI

L Neutral White 4000K - 70 CRI

N Neutral White 4000K - 80 CRI

#### Operating Voltage

2 100-277 VAC / 120-250 VDC

5 347-480 VAC

#### Lumen Type<sup>1</sup>

A 12,100 Lumens

B 15,000 Lumens

C 19,100 Lumens

E 26,300 Lumens

F 30,900 Lumens

H 35,700 Lumens

J 41,300 Lumens

#### Controls

D Continuous Dimming

J IntelliLED Wireless

N No Option

Q Microwave Occupancy Sensor 40<sup>3</sup>

#### Mounting Options

H Hook (Wiring Box only)

N 3/4" NPT

P Secondary Retention Bracket

#### Power Cable

N No Cord (Wiring Box only)

W 10' [3 meter] Power Cable

#### Electrical Accessories

N No Plug

\*Cord & plug options available upon request

#### Coatings

G Gray (RAL 7040)

#### Option

N No Option

#### Notes

1) Lumen type based on using a glass lens, round optic, 70CRI. See page 14 for output of other options.

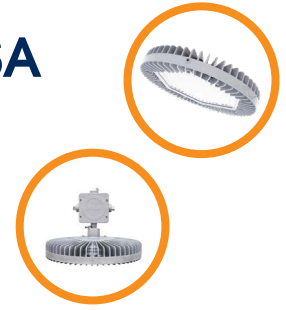
2) Wiring Box is not CIID1 rated.

3) Occupancy Sensor models are dry locations only and are IP6X rated with a -20°C to +65°C ambient temperature range. Occupancy Sensor models are not CIID1 rated.

**DISCLAIMER.** All product information provided is, to the best of Dialight's knowledge, accurate as of the date of publication. When ordering, refer to [www.dialight.com](http://www.dialight.com) for current versions of: (a) relevant product documentation (including the relevant product data sheets); (b) Dialight terms and conditions of sale; and, (c) the relevant product warranty. To the extent that any contract is deemed formed between Dialight and the purchaser of Dialight products and/or an end-user, versions of documents available at [www.dialight.com](http://www.dialight.com) as at the date of sale shall be the versions incorporated therein. In the event of any discrepancy between this document or information provided at [www.dialight.com](http://www.dialight.com), the latter shall prevail.

# SafeSite® Ultra-Efficient LED High Bay - UL / CSA

## Ordering Information



Corded Model - 3/4" Conduit - 100-277 VAC / 120-250 VDC								
Part Number	Lumens	Wattage	lm/W	CCT, CRI	Lens	Beam Distribution	Hardware Options	Wiring
VED-7NC2-JNNW-NGN	38,200	230	166	CW, 80CRI	Glass	Narrow	Pendant 3/4" NPT	10' Power Cable
VED-7MC2-JNNW-NGN	37,400	230	163	CW, 80CRI	Glass	Medium	Pendant 3/4" NPT	10' Power Cable
VED-7MC2-HNNW-NGN	32,300	195	166	CW, 80CRI	Glass	Medium	Pendant 3/4" NPT	10' Power Cable
VED-7MC2-FNNW-NGN	28,000	165	170	CW, 80CRI	Glass	Medium	Pendant 3/4" NPT	10' Power Cable
VED-7MC2-ENNW-NGN	23,800	140	170	CW, 80CRI	Glass	Medium	Pendant 3/4" NPT	10' Power Cable
Corded Model - 3/4" Conduit - 347-480 VAC								
VED-7NC5-JNNW-NGN	38,200	230	166	CW, 80CRI	Glass	Narrow	Pendant 3/4" NPT	10' Power Cable
VED-7MC5-JNNW-NGN	37,400	230	163	CW, 80CRI	Glass	Medium	Pendant 3/4" NPT	10' Power Cable
VED-7MC5-HNNW-NGN	32,300	195	166	CW, 80CRI	Glass	Medium	Pendant 3/4" NPT	10' Power Cable
VED-7MC5-FNNW-NGN	28,000	165	170	CW, 80CRI	Glass	Medium	Pendant 3/4" NPT	10' Power Cable
VED-7MC5-ENNW-NGN	23,800	140	170	CW, 80CRI	Glass	Medium	Pendant 3/4" NPT	10' Power Cable
Integrated Wiring Box Model - Hook - 100-277 VAC / 120-250 VDC								
VCD-7NC2-JDHN-NGN	38,200	230	166	CW, 80CRI	Glass	Narrow	Hook	Wiring Box
VCD-7MC2-JDHN-NGN	37,400	230	163	CW, 80CRI	Glass	Medium	Hook	Wiring Box
VCD-7MC2-HDHN-NGN	32,300	195	166	CW, 80CRI	Glass	Medium	Hook	Wiring Box
VCD-7MC2-FDHN-NGN	28,000	165	170	CW, 80CRI	Glass	Medium	Hook	Wiring Box
VCD-7MC2-EDHN-NGN	23,800	140	170	CW, 80CRI	Glass	Medium	Hook	Wiring Box
Integrated Wiring Box Model - Hook - 347-480 VAC								
VCD-7NC5-JDHN-NGN	38,200	230	166	CW, 80CRI	Glass	Narrow	Hook	Wiring Box
VCD-7MC5-JDHN-NGN	37,400	230	163	CW, 80CRI	Glass	Medium	Hook	Wiring Box
VCD-7MC5-HDHN-NGN	32,300	195	166	CW, 80CRI	Glass	Medium	Hook	Wiring Box
VCD-7MC5-FDHN-NGN	28,000	165	170	CW, 80CRI	Glass	Medium	Hook	Wiring Box
VCD-7MC5-EDHN-NGN	23,800	140	170	CW, 80CRI	Glass	Medium	Hook	Wiring Box

All values typical unless otherwise stated (tolerance +/- 10%)

**WARNING - INSTALLATION & SECONDARY RETENTION.** Use of any Dialight products without proper installation (including secondary retention / netting) and periodic inspections could cause severe injury or death. Dialight recommends that all installations should use secondary retention / netting (appropriate to the installation environment) where applicable. It is the exclusive responsibility of the contractor, installer and/or end-user to: (a) determine the suitability of the product for its intended application; and, (b) ensure that the product is safely installed (with secondary retention / netting where appropriate) and in compliance with all applicable laws and regulations. To the extent permissible under applicable laws, Dialight disclaims all liability for personal injury and/or other damage resulting from any dislodgment or other dislocation of its products.

# SafeSite® Ultra-Efficient LED Low Bay - UL / CSA

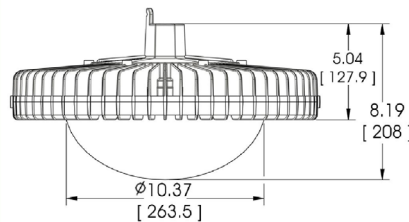
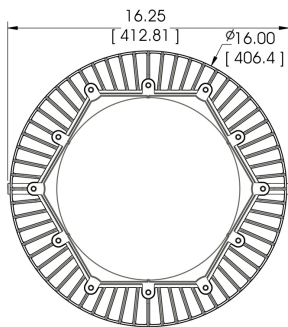
## Technical Information

### Corded Model



#### Mechanical Information:

- Fixture weight:**  
18 lbs (8.16kg)
- Shipping weight:**  
24 lbs (10.8kg)
- Mounting:**  
3/4" NPT - top  
Various Kits
- Power Cord:**  
10' 18 AWG ST00W/S00W



#### Certifications & Ratings:

- 10 year warranty
- UL1598/A (wet locations)
- UL 8750
- IP66/67
- Class I, Div. 2 Groups A, B, C, D
- Class I, Zone 2, Group IIC
- Class II, Div. 1 Groups E, F, G (corded model only)
- Class II, Div. 2 Groups F, G
- Class III, Div. 1 & 2
- CSA 22.2 No. 250.0-08
- NEMA 4X
- L70 rated for >150,000 hours

#### Variable Dimming:

- Variable Dimming Control:** 0-10 VDC
- Dimming Range:** 10 VDC = 100% light output  
0 VDC = <10% light output

#### Electrical Specifications:

- Operating voltage:** 100-277 VAC, 120-250 VDC  
347-480 VAC
- Power consumption:** See table
- Operating temp:** -40°F to +149°F (-40°C to +65°C)
- Harmonics:** IEC 61000-3-2 Class C
- Noise requirement /EMC:** FCC Title 47, Subpart B, Section 15, Class A device. RF Immunity; 10V/m, 80MHz-1GHz
- Transient protection:** 100-277 VAC models tested to withstand up to 8kV/4kA per IEEEC62.41  
347-480VAC models tested to withstand up to 6kV/3kA per IEEEC62.41

- THD:** 6k-18k lm models: <20%
- Power factor:** >0.9
- Fusing:** Internal

#### Construction:

- Housing:** Copper free aluminum
- Finish:** Superior dual coat finish  
Sealed polyester topcoat  
Chemical-resistant epoxy primer
- Lens:** See table

#### Photometric Information:

- CRI:** 80
- CCT:** 5000K (cool white)  
4000K (neutral white)  
2700K (warm white)

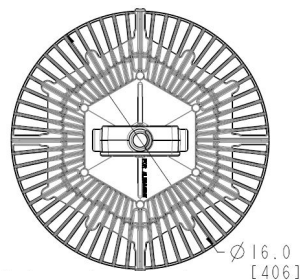
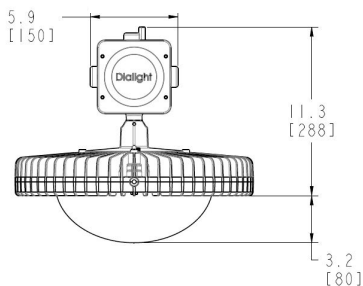
All values typical unless otherwise stated (tolerance +/- 10%)

### Integrated Wiring Box Model



#### Mechanical Information:

- Fixture weight:**  
20 lbs (9 kg)
- Shipping weight:**  
26 lbs (12 kg)
- Mounting:**  
3/4" NPT or Hook  
Various Kits
- Wiring Box Cable Entries:**  
(2x) 3/4" NPT



Dimensions in inches (mm)

**DISCLAIMER.** All product information provided is, to the best of Dialight's knowledge, accurate as of the date of publication. When ordering, refer to [www.dialight.com](http://www.dialight.com) for current versions of: (a) relevant product documentation (including the relevant product data sheets); (b) Dialight terms and conditions of sale; and, (c) the relevant product warranty. To the extent that any contract is deemed formed between Dialight and the purchaser of Dialight products and/or an end-user, versions of documents available at [www.dialight.com](http://www.dialight.com) as at the date of sale shall be the versions incorporated therein. In the event of any discrepancy between this document or information provided at [www.dialight.com](http://www.dialight.com), the latter shall prevail.

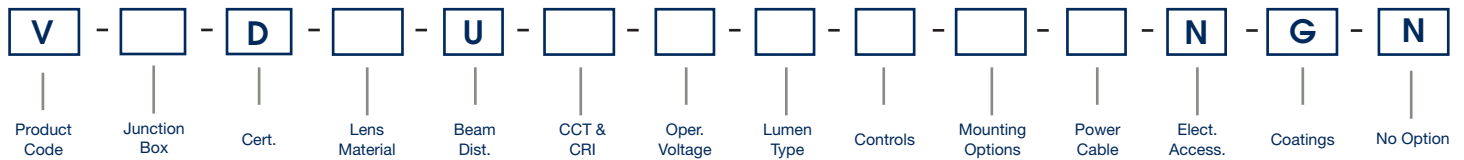
# SafeSite® Ultra-Efficient LED Low Bay - UL / CSA

## Ordering Information - Corded Model & Integrated Wiring Box Model



Project Information			Specifications		
Part Number:					
Project:					
Fixture Type:		Date:			

### Ordering Information



<b>Product Code</b> V Vigilant® Ultra-Efficient	<b>Beam Distribution</b> U Ultra Wide	<b>Lumen Type<sup>1</sup></b> 6 6,100 Lumens 9 9,000 Lumens B 13,400 Lumens C 16,600 Lumens	<b>Power Cable</b> N No Cord (Wiring Box only) W 10' [3 meter] Power Cable
<b>Junction Box</b> C Wiring Box <sup>2</sup> E No Junction Box	<b>CCT &amp; CRI</b> C Cool White 5000K - 80 CRI N Neutral White 4000K - 80 CRI	<b>Controls</b> D Continuous Dimming J IntelliLED Wireless Controls N No Option Q Microwave Occ Sensor 40 <sup>3</sup>	<b>Electrical Accessories*</b> N No Plug *Cord & plug options available upon request
<b>Certification</b> D UL 844 CID2, CII, CIII Class I, Zone 2	<b>Operating Voltage</b> 2 100-277 VAC / 120-250 VDC 5 347-480 VAC	<b>Mounting Options</b> H Hook N Pendant 3/4" NPT P Pendant 3/4" NPT with Safety Retention Tabs R Safety Retention Tabs with Hook	<b>Coatings</b> G Gray (RAL 7040)
<b>Lens Material</b> 4 Polycarbonate - Clear 5 Polycarbonate - Diffused L Polycarbonate Dome - Diffused			<b>Option</b> N No Option

Notes
1) Lumen type based on using a polycarbonate dome lens. See page 14 for output of other options.
2) Wiring Box is not CIID1 rated.
3) Occupancy Sensor models are dry locations only and are IP6X rated with a -20°C to +65°C ambient temperature range. Occupancy Sensor models are not CIID1 rated.

**WARNING - INSTALLATION & SECONDARY RETENTION.** Use of any Dialight products without proper installation (including secondary retention / netting) and periodic inspections could cause severe injury or death. Dialight recommends that all installations should use secondary retention / netting (appropriate to the installation environment) where applicable. It is the exclusive responsibility of the contractor, installer and/or end-user to: (a) determine the suitability of the product for its intended application; and, (b) ensure that the product is safely installed (with secondary retention / netting where appropriate) and in compliance with all applicable laws and regulations. To the extent permissible under applicable laws, Dialight disclaims all liability for personal injury and/or other damage resulting from any dislodgment or other dislocation of its products.

# SafeSite® Ultra-Efficient LED Low Bay - UL / CSA

## Ordering Information - Corded Model & Integrated Wiring Box Model



Corded Model - 3/4" Conduit - 100-277 VAC / 120-250 VDC								
Part Number	Lumens	Wattage	lm/W	CCT, CRI	Lens	Beam Distribution	Hardware Options	Wiring
VED-LUC2-CNNW-NGN	16,700	115	145	CW, 80CRI	Polycarbonate Dome - Diffused	Ultra Wide	Pendant 3/4" NPT	10' Power Cable
VED-LUC2-BNNW-NGN	13,400	90	149	CW, 80CRI	Polycarbonate Dome - Diffused	Ultra Wide	Pendant 3/4" NPT	10' Power Cable
VED-LUC2-9NNW-NGN	9,000	60	150	CW, 80CRI	Polycarbonate Dome - Diffused	Ultra Wide	Pendant 3/4" NPT	10' Power Cable
VED-LUC2-6NNW-NGN	6,100	43	142	CW, 80CRI	Polycarbonate Dome - Diffused	Ultra Wide	Pendant 3/4" NPT	10' Power Cable
Corded Model - 3/4" Conduit - 347-480 VAC								
VED-LUC5-CNNW-NGN	16,700	115	145	CW, 80CRI	Polycarbonate Dome - Diffused	Ultra Wide	Pendant 3/4" NPT	10' Power Cable
VED-LUC5-BNNW-NGN	13,400	90	149	CW, 80CRI	Polycarbonate Dome - Diffused	Ultra Wide	Pendant 3/4" NPT	10' Power Cable
VED-LUC5-9NNW-NGN	9,000	60	150	CW, 80CRI	Polycarbonate Dome - Diffused	Ultra Wide	Pendant 3/4" NPT	10' Power Cable
Integrated Wiring Box Model - Hook - 100-277 VAC / 120-250 VDC								
VCD-LUC2-CDHN-NGN	16,700	115	145	CW, 80CRI	Polycarbonate Dome - Diffused	Ultra Wide	Hook	Wiring Box
VCD-LUC2-BDHN-NGN	13,400	90	149	CW, 80CRI	Polycarbonate Dome - Diffused	Ultra Wide	Hook	Wiring Box
VCD-LUC2-9DHN-NGN	9,000	60	150	CW, 80CRI	Polycarbonate Dome - Diffused	Ultra Wide	Hook	Wiring Box
VCD-LUC2-6DHN-NGN	6,100	43	142	CW, 80CRI	Polycarbonate Dome - Diffused	Ultra Wide	Hook	Wiring Box
Integrated Wiring Box Model - Hook - 347-480 VAC								
VCD-LUC5-CDHN-NGN	16,700	115	145	CW, 80CRI	Polycarbonate Dome - Diffused	Ultra Wide	Hook	Wiring Box
VCD-LUC5-BDHN-NGN	13,400	90	149	CW, 80CRI	Polycarbonate Dome - Diffused	Ultra Wide	Hook	Wiring Box
VCD-LUC5-9DHN-NGN	9,000	60	150	CW, 80CRI	Polycarbonate Dome - Diffused	Ultra Wide	Hook	Wiring Box

All values typical unless otherwise stated (tolerance +/- 10%)

**DISCLAIMER.** All product information provided is, to the best of Dialight's knowledge, accurate as of the date of publication. When ordering, refer to [www.dialight.com](http://www.dialight.com) for current versions of: (a) relevant product documentation (including the relevant product data sheets); (b) Dialight terms and conditions of sale; and, (c) the relevant product warranty. To the extent that any contract is deemed formed between Dialight and the purchaser of Dialight products and/or an end-user, versions of documents available at [www.dialight.com](http://www.dialight.com) as at the date of sale shall be the versions incorporated therein. In the event of any discrepancy between this document or information provided at [www.dialight.com](http://www.dialight.com), the latter shall prevail.

# SafeSite® LED High Bay - UL / CSA

Class I, Div. 1 and Class I, Zone 1 - 100-277 VAC



### Mechanical Information:

**Fixture weight:**  
30 lbs (14 kg)

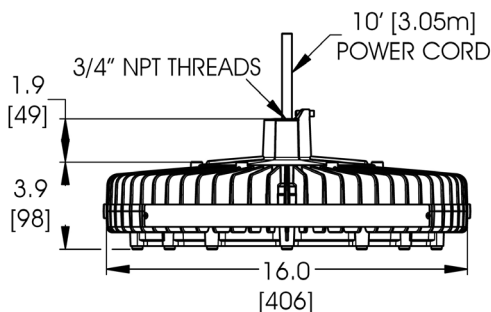
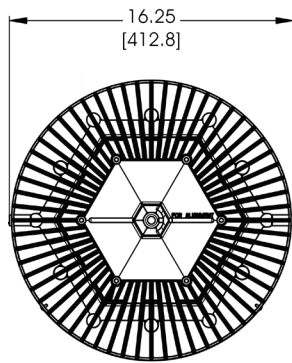
**Shipping weight:**  
35 lbs (19 kg)

**Mounting:**  
3/4" NPT - top  
Various Kits

**Power Cord:**  
10' 18 AWG STOOW/SOOW

Class I, Div. 1 Groups C, D  
 Class I, Div. 1 Groups B, C, D  
 Class I Zone 1, Groups IIB  
 Class I, Div. 2 Groups C, D  
 Class II, Div. 1 Groups E, F, G  
 Class II, Div. 2 Groups F, G

\*Group B applies to HEP models only



Dimensions in inches (mm)

### Temperature Ratings:

**Ambient Temp Range**  
**T4 Temp Code:** -40°F to +149°F (-40°C to +65°C)

**Ambient Temp Range**  
**T5 Temp Code:** -40°F to +131°F (-40°C to +50°C)

### Certifications & Ratings:

10 year warranty  
 UL 844 (wet locations) NEMA 4X  
 CSA 22.2 No. 137-M81 UL 8750  
 IP66/67 L70 rated for >150,000 hours  
 Factory sealed

### Variable Dimming:

**Variable Dimming Control:** 0-10 VDC

**Dimming Range:** 10 VDC = 100% light output  
 0 VDC = <10% light output

### Electrical Specifications:

**Operating voltage:** 100-277 VAC, 120-250 VDC

**Power consumption:** See table

**Operating temp:** -40°F to +149°F (-40°C to +65°C)

**Harmonics:** IEC 61000-3-2 Class C

**Noise requirement /EMC:** FCC Title 47, Subpart B, Section 15, Class A device. RF Immunity; 10V/m, 80MHz-1GHz

**Transient protection:** Protection devices capable of handling up to 6kV. Tested with 6kV/2 ohm combination wave, as per IEEE C62.41, line-line and line-ground

**THD:** < 20%

**Power factor:** >0.9

**Cabling:** STOOW 18 gauge AWG

**Fusing:** Internal

### Construction:

**Housing:** Copper free aluminum

**Finish:** Superior dual coat finish  
 Sealed polyester topcoat  
 Chemical-resistant epoxy primer

**Lens:** See table

### Photometric Information:

**CRI:** 80

**CCT:** 5000K (cool white)  
 4000K (neutral white)

All values typical unless otherwise stated (tolerance +/- 10%)

**WARNING - INSTALLATION & SECONDARY RETENTION.** Use of any Dialight products without proper installation (including secondary retention / netting) and periodic inspections could cause severe injury or death. Dialight recommends that all installations should use secondary retention / netting (appropriate to the installation environment) where applicable. It is the exclusive responsibility of the contractor, installer and/or end-user to: (a) determine the suitability of the product for its intended application; and, (b) ensure that the product is safely installed (with secondary retention / netting where appropriate) and in compliance with all applicable laws and regulations. To the extent permissible under applicable laws, Dialight disclaims all liability for personal injury and/or other damage resulting from any dislodgment or other dislocation of its products.



# SafeSite® LED High Bay - UL / CSA

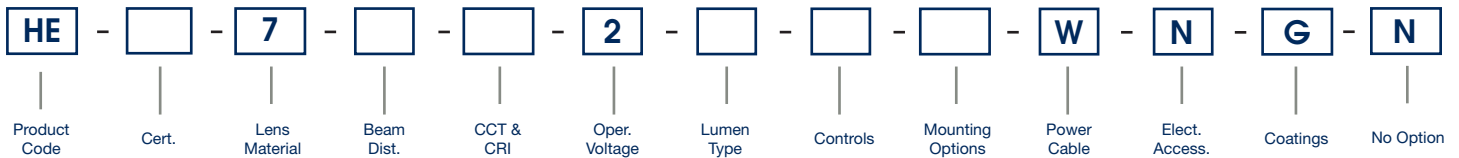
## Class I, Div. 1 and Class I, Zone 1 - 100-277 VAC



Project Information	
Part Number:	
Project:	
Fixture Type:	Date:

Specifications

### Ordering Information



#### Product Code

HE High Bay 3/4" NPT

#### Beam Distribution

- E Oval
- M Medium
- N Narrow
- W Wide

#### Lumen Type

- A 9,500 Lumens
- B 12,500 Lumens
- C 16,000 Lumens
- E 23,500 Lumens

#### Power Cable

W 10' [3 meter] Power Cable

#### Certification

- C UL 844, CID1, Class I, Zone 1
- M UL 844, CID1 Paint Spray Class I, Zone 1
- P UL 844, CID1 Group B, Class I, Zone 1

#### CCT & CRI

- C Cool White 5000K - 80 CRI
- N Neutral White 4000K - 80 CRI

#### Controls

- D Dimming (0-10V)
- N No Option

#### Electrical Accessories

N No Plug

#### Lens Material

7 Glass - Clear

#### Operating Voltage

2 100-277 VAC / 120-250 VDC

#### Mounting Options

- N Pendant 3/4" NPT
- P Pendant 3/4" NPT with Safety Retention Tabs

#### Coatings

G Gray (RAL 7040)

#### Option

N No Option

#### Notes

1) Lumen type based on using a glass lens. See tables for lumens when changing lenses.

**DISCLAIMER.** All product information provided is, to the best of Dialight's knowledge, accurate as of the date of publication. When ordering, refer to [www.dialight.com](http://www.dialight.com) for current versions of: (a) relevant product documentation (including the relevant product data sheets); (b) Dialight terms and conditions of sale; and, (c) the relevant product warranty. To the extent that any contract is deemed formed between Dialight and the purchaser of Dialight products and/or an end-user, versions of documents available at [www.dialight.com](http://www.dialight.com) as at the date of sale shall be the versions incorporated therein. In the event of any discrepancy between this document or information provided at [www.dialight.com](http://www.dialight.com), the latter shall prevail.

# Ordering Information

## SafeSite® LED High Bay

### Class I, Div. 1 and Class I, Zone 1 - 100-277 VAC



Class I, Div. 1 and Class I, Zone 1 - 100-277 VAC										
Part Number	Lumens	Wattage	lm/W	Certification	CCT	Lens	Beam Distribution	Controls Option	Hardware Options	Wiring
HEC-7WC2-ENNW-NGN	23,500	186	126	CID1	CW	Tempered Glass	Wide	No controls	Pendant 3/4" NPT	10' Power Cable
HEC-7MC2-ENPW-NGN	23,500	186	126	CID1	CW	Tempered Glass	Medium	No controls	Pendant 3/4" NPT with Safety Tabs	10' Power Cable
HEM-7MC2-ENNW-NGN	23,500	186	126	Paint Spray	CW	Tempered Glass	Medium	No controls	Pendant 3/4" NPT	10' Power Cable
HEC-7MC2-CNNW-NGN	16,000	129	124	CID1	CW	Tempered Glass	Medium	No controls	Pendant 3/4" NPT	10' Power Cable
HEC-7WC2-CNWW-NGN	16,000	129	124	CID1	CW	Tempered Glass	Wide	No controls	Safety Bracket w/ SS 316 Forward Throw Bracket	10' Power Cable
HEC-7MC2-CNPW-NGN	16,000	129	124	CID1	CW	Tempered Glass	Medium	No controls	Pendant 3/4" NPT with Safety Tabs	10' Power Cable
HEC-7WC2-CNTW-NGN	16,000	129	124	CID1	CW	Tempered Glass	Wide	No controls	Safety Bracket w/ Locking Swivel Mount/Bracket SS316	10' Power Cable
HEC-7WC2-CNNW-NGN	16,000	129	124	CID1	CW	Tempered Glass	Wide	No controls	Pendant 3/4" NPT	10' Power Cable
HEC-7WC2-CNPW-NGN	16,000	129	124	CID1	CW	Tempered Glass	Wide	No controls	Pendant 3/4" NPT with Safety Tabs	10' Power Cable
HEM-7MC2-CNNW-NGN	16,000	129	124	Paint Spray	CW	Tempered Glass	Medium	No controls	Pendant 3/4" NPT	10' Power Cable
HEC-7MC2-BNNW-NGN	12,500	102	123	CID1	CW	Tempered Glass	Medium	No controls	Pendant 3/4" NPT	10' Power Cable
HEC-7WC2-BNPW-NGN	12,500	102	123	CID1	CW	Tempered Glass	Wide	No controls	Pendant 3/4" NPT with Safety Tabs	10' Power Cable
HEM-7WC2-BNNW-NGN	12,500	102	123	Paint Spray	CW	Tempered Glass	Wide	No controls	Pendant 3/4" NPT	10' Power Cable
HEC-7WC2-BNNW-NGN	12,500	102	123	CID1	CW	Tempered Glass	Wide	No controls	Pendant 3/4" NPT	10' Power Cable
HEC-7MC2-BNPW-NGN	12,500	102	123	CID1	CW	Tempered Glass	Medium	No controls	Pendant 3/4" NPT with Safety Tabs	10' Power Cable
HEM-7WN2-ANNW-NGN	9,500	80	119	Paint Spray	NW	Tempered Glass	Wide	No controls	Pendant 3/4" NPT	10' Power Cable
HEC-7MC2-ANNW-NGN	9,500	80	119	CID1	CW	Tempered Glass	Medium	No controls	Pendant 3/4" NPT	10' Power Cable
HEC-7WC2-ANNW-NGN	9,500	80	119	CID1	CW	Tempered Glass	Wide	No controls	Pendant 3/4" NPT	10' Power Cable
HEC-7MN2-ANNW-NGN	9,250	80	116	CID1	NW	Tempered Glass	Medium	No controls	Pendant 3/4" NPT	10' Power Cable

All values typical unless otherwise stated (tolerance +/- 10%)

0-10V dimming option available for products in the above table. Replace the ninth character **N** with **D**. Ex: HEC-7WC2-~~EN~~NW-NGN becomes HEC-7WC2-**ED**NW-NGN.

**DISCLAIMER.** All product information provided is, to the best of Dialight's knowledge, accurate as of the date of publication. When ordering, refer to [www.dialight.com](http://www.dialight.com) for current versions of: (a) relevant product documentation (including the relevant product data sheets); (b) Dialight terms and conditions of sale; and, (c) the relevant product warranty. To the extent that any contract is deemed formed between Dialight and the purchaser of Dialight products and/or an end-user, versions of documents available at [www.dialight.com](http://www.dialight.com) as at the date of sale shall be the versions incorporated therein. In the event of any discrepancy between this document or information provided at [www.dialight.com](http://www.dialight.com), the latter shall prevail.

# SafeSite® LED High Bay - UL / CSA

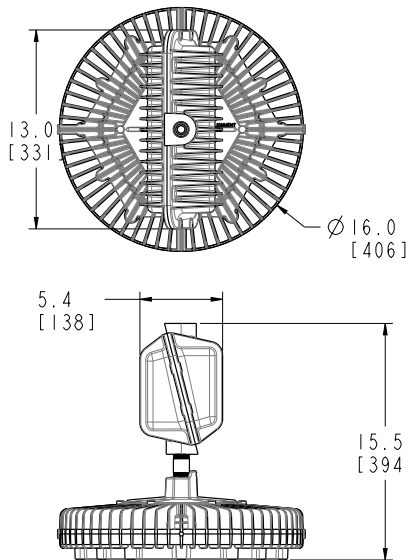
## Class I, Div. 1 Passive Power Supply Model - 347 or 480 VAC



Patent pending

### Certifications & Ratings:

- UL 844 (wet locations)
- CSA C22.2 No. 137-M81
- IP66/67
- NEMA 4X
- L70 rated for >150,000 hours
- Class I, Div. 1 Groups C, D
- Zone 1, Group IIB
- Class I, Div. 2 Groups C, D
- Class II, Div. 1 Groups E, F, G
- Class II, Div. 2 Groups F, G



Dimensions in inches (mm)

### Mechanical Information:

**Fixture weight:** 52 lbs (23.6 kg)

**Shipping weight:** 59 lbs (26.8 kg)

**Mounting:** 3/4" NPT - top

### Temperature Ratings:

**Ambient temp range T4A temp code:** -40°F to +149°F (-40°C to +65°C)

**Ambient temp range T5 temp code:** -40°F to +131°F (-40°C to +55°C)

### Electrical Specifications:

**Operating voltage:** 347 or 480 VAC  
(see part number table)

**Total system power consumption:** See table

**Operating temperature:** -40°F to +149°F (-40°C to +65°C)

**Noise requirement /EMC:** FCC Title 47, Subpart B, Section 15, class A device. RF Immunity; 10V/m, 80MHz-1GHz

**Transient protection:** Tested for 10kV/2 ohm combination wave, as per IEEE C62.41, line-line and line ground

**THD:** <10K <30%  
>10K <20%

**Power factor:** >0.9

**Fusing:** Internal

### Construction:

**Housing:** Copper free aluminum

**Finish:** Superior dual coat finish  
- Sealed polyester topcoat  
- Epoxy primer

**Lens:** See table

### Photometric Information:

**CRI:** 80

**CCT:** 5000K (cool white)  
4000K (neutral white)

All values typical unless otherwise stated (tolerance +/- 10%)

**DISCLAIMER.** All product information provided is, to the best of Dialight's knowledge, accurate as of the date of publication. When ordering, refer to [www.dialight.com](http://www.dialight.com) for current versions of: (a) relevant product documentation (including the relevant product data sheets); (b) Dialight terms and conditions of sale; and, (c) the relevant product warranty. To the extent that any contract is deemed formed between Dialight and the purchaser of Dialight products and/or an end-user, versions of documents available at [www.dialight.com](http://www.dialight.com) as at the date of sale shall be the versions incorporated therein. In the event of any discrepancy between this document or information provided at [www.dialight.com](http://www.dialight.com), the latter shall prevail.

# SafeSite® LED High Bay - UL / CSA

Class I, Div. 1 Passive Power Supply Model - 347 or 480 VAC



Project Information			Specifications		
Part Number:					
Project:					
Fixture Type:		Date:			

## Ordering Information

HE		7	M				N		W	N	G	N
Product Code	Cert.	Lens Material	Beam Dist.	CCT & CRI	Oper. Voltage	Lumen Type	Controls	Mounting Options	Power Cable	Elect. Access.	Coatings	No Option
<b>Product Code</b>	<b>Beam Distribution</b>		<b>Lumen Type<sup>1</sup></b>			<b>Power Cable</b>						
HE High Bay Passive Power Supply	M Medium		A 9,500 Lumens			W 10' (3 meter) Power Cable						
			B 14,000 Lumens									
			C 18,000 Lumens									
			E 27,000 Lumens									
<b>Certification</b>	<b>CCT &amp; CRI</b>		<b>Controls</b>			<b>Electrical Accessories</b>						
C UL 844 CID1	C Cool White 5000K - 80 CRI		N No Option			N No Plug						
M UL 844 CID1 Paint Spray	N Neutral White 4000K - 80 CRI		<b>Coatings</b>			G Gray (RAL 7040)						
			<b>Mounting Options</b>			<b>Option</b>						
			N Pendant 3/4" NPT			N No Option						
			P Pendant 3/4" NPT with Safety Retention Tabs									
<b>Lens Material</b>	<b>Operating Voltage</b>											
7 Glass - Clear	P 480 VAC											
	Q 347 VAC											

**Notes**  
 1) Lumen values provided for reference only. Actual lumen values provided in the table on High Bay spec sheet.

Part Number	Lumens	Wattage	lm/W	CCT	Lens	Beam Distribution	Hardware Options	Wiring
<b>347 VAC Models</b>								
HEC-7MCQ-ENNW-NGN	27,400	206	133	CW	Glass - Clear	Medium	Pendant 3/4" NPT	10' Power Cable
HEC-7MCQ-CNNW-NGN	18,300	136	135	CW	Glass - Clear	Medium	Pendant 3/4" NPT	10' Power Cable
HEC-7MCQ-BNNW-NGN	13,200	100	132	CW	Glass - Clear	Medium	Pendant 3/4" NPT	10' Power Cable
HEC-7MCQ-ANNW-NGN	9,800	81	121	CW	Glass - Clear	Medium	Pendant 3/4" NPT	10' Power Cable
<b>480 VAC Models</b>								
HEC-7MCP-ENNW-NGN	27,200	206	132	CW	Glass - Clear	Medium	Pendant 3/4" NPT	10' Power Cable
HEC-7MCP-CNNW-NGN	18,200	129	141	CW	Glass - Clear	Medium	Pendant 3/4" NPT	10' Power Cable
HEC-7MCP-BNNW-NGN	15,200	116	131	CW	Glass - Clear	Medium	Pendant 3/4" NPT	10' Power Cable
HEC-7MCP-ANNW-NGN	9,400	73	129	CW	Glass - Clear	Medium	Pendant 3/4" NPT	10' Power Cable

All values typical unless otherwise stated (tolerance +/- 10%)  
 See ordering chart for additional options.

**DISCLAIMER.** All product information provided is, to the best of Dialight's knowledge, accurate as of the date of publication. When ordering, refer to [www.dialight.com](http://www.dialight.com) for current versions of: (a) relevant product documentation (including the relevant product data sheets); (b) Dialight terms and conditions of sale; and, (c) the relevant product warranty. To the extent that any contract is deemed formed between Dialight and the purchaser of Dialight products and/or an end-user, versions of documents available at [www.dialight.com](http://www.dialight.com) as at the date of sale shall be the versions incorporated therein. In the event of any discrepancy between this document or information provided at [www.dialight.com](http://www.dialight.com), the latter shall prevail.

# SafeSite® LED High Bay - UL / CSA

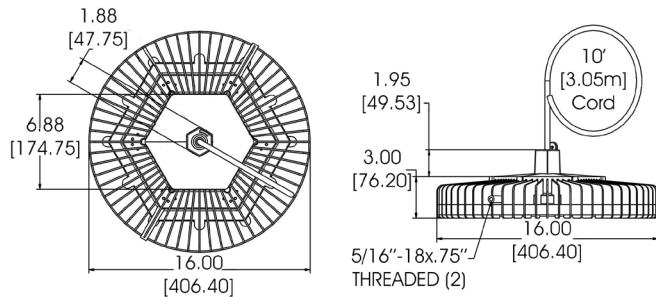
## Class I, Div. 2 and Class I, Zone 2

### Corded Model



#### Mechanical Information:

- Fixture weight:**  
18 lbs (8.16kg)
- Shipping weight:**  
24 lbs (10.8kg)
- Mounting:**  
3/4" NPT - top  
Various Kits
- Power Cord:**  
10' 18 AWG ST00W/S00W  
Patent pending



#### Temperature Ratings:

**Ambient Temp Range**  
**T4 Temp Code:** -40°F to +149°F (-40°C to +65°C)

**Ambient Temp Range**  
**T5 Temp Code:** -40°F to +131°F (-40°C to +50°C)

#### Certifications & Ratings:

10 year warranty  
 UL 844 (wet locations) NEMA 4X  
 CSA 22.2 No. 137-M81 UL 8750  
 IP66/67 L70 rated for >150,000 hours  
 Class I, Div. 2 Groups A, B, C, D  
 Class I, Zone 2, Group IIC  
 Class II, Div. 1 Groups E, F, G (corded model only)  
 Class II, Div. 2 Groups F, G  
 Class III, Div. 1 & 2

#### Variable Dimming:

**Variable Dimming Control:** 0-10 VDC  
**Dimming Range:** 10 VDC = 100% light output  
 0 VDC = <10% light output

#### Electrical Specifications:

**Operating voltage:** 100-277 VAC, 120-250 VDC  
 347-480 VAC

**Power consumption:** See table

**Operating temp:** -40°F to +149°F (-40°C to +65°C)

**Harmonics:** IEC 61000-3-2 Class C

**Noise requirement /EMC:** FCC Title 47, Subpart B, Section 15, Class A device. RF Immunity; 10V/m, 80MHz-1GHz

**Transient protection:** 100-277 VAC models tested to withstand up to 8kV/4kA per IEEE C62.41  
 347-480VAC models tested to withstand up to 6kV/3kA per IEEE C62.41

**THD:** < 20%

**Power factor:** >0.9

**Fusing:** Internal

#### Construction:

**Housing:** Copper free aluminum

**Finish:** Superior dual coat finish  
 Sealed polyester topcoat  
 Chemical-resistant epoxy primer

**Lens:** See table

#### Photometric Information:

**CRI:** 80

**CCT:** 5000K (cool white)  
 4000K (neutral white)

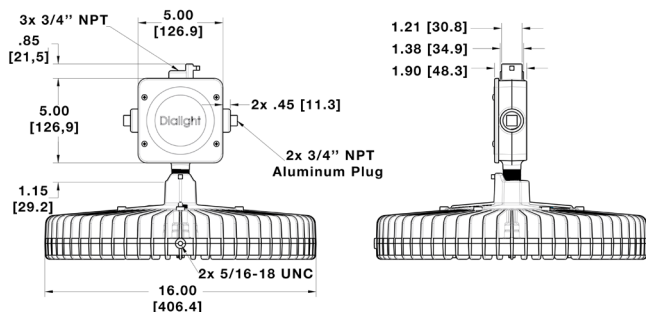
All values typical unless otherwise stated (tolerance +/- 10%)

### Integrated Wiring Box Model



#### Mechanical Information:

- Fixture weight:**  
20 lbs (9 kg)
- Shipping weight:**  
26 lbs (12 kg)
- Mounting:**  
3/4" NPT or Hook
- Wiring Box Cable Entries:**  
(2x) 3/4" NPT



Dimensions in inches (mm)

**WARNING - INSTALLATION & SECONDARY RETENTION.** Use of any Dialight products without proper installation (including secondary retention / netting) and periodic inspections could cause severe injury or death. Dialight recommends that all installations should use secondary retention / netting (appropriate to the installation environment) where applicable. It is the exclusive responsibility of the contractor, installer and/or end-user to: (a) determine the suitability of the product for its intended application; and, (b) ensure that the product is safely installed (with secondary retention / netting where appropriate) and in compliance with all applicable laws and regulations. To the extent permissible under applicable laws, Dialight disclaims all liability for personal injury and/or other damage resulting from any dislodgment or other dislocation of its products.

# SafeSite® LED High Bay - UL / CSA

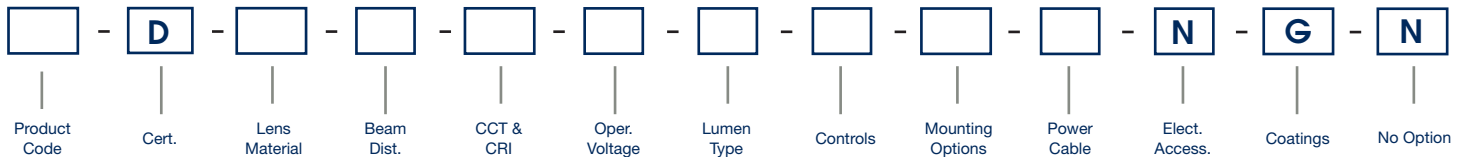
Class I, Div. 2 and Class I, Zone 2



Project Information	
Part Number:	
Project:	
Fixture Type:	Date:

Specifications

## Ordering Information



<p><b>Product Code</b></p> <p>HC High Bay Integrated Pendant Wiring Box</p> <p>HE High Bay 3/4" NPT</p>	<p><b>Beam Distribution</b></p> <p>E Oval</p> <p>M Medium</p> <p>N Narrow</p> <p>W Wide</p>	<p><b>Lumen Type</b></p> <p>A 11,600 Lumens</p> <p>B 14,900 Lumens</p> <p>C 19,800 Lumens</p> <p>E 27,500 Lumens</p>	<p><b>Power Cable</b></p> <p>N No Cord (HC only)</p> <p>W 10' [3 meter] Power Cable (HE only)</p>
<p><b>Certification</b></p> <p>D UL 844 CID2, CII, CIII Class I, Zone 2</p>	<p><b>CCT &amp; CRI</b></p> <p>C Cool White 5000K - 80 CRI</p> <p>N Neutral White 4000K - 80 CRI</p>	<p><b>Controls</b></p> <p>D Dimming (0-10V)</p> <p>N No Option</p>	<p><b>Electrical Accessories</b></p> <p>N No Plug</p>
<p><b>Lens Material</b></p> <p>4 Polycarbonate - Clear</p> <p>7 Glass - Clear</p> <p>L Polycarbonate Dome - Diffused</p> <p>R Power Wash Glass, Clear</p>	<p><b>Operating Voltage</b></p> <p>2 100-277 VAC / 120-250 VDC</p> <p>5 347-480 VAC</p>	<p><b>Mounting Options</b></p> <p>H Hook (HC only)</p> <p>N Pendant 3/4" NPT</p> <p>P Pendant 3/4" NPT with Safety Retention Tabs</p> <p>R Safety Retention Tabs with Hook (HC only)</p>	<p><b>Coatings</b></p> <p>G Gray (RAL 7040)</p>
			<p><b>Option</b></p> <p>N No Option</p>

**Notes**

1) Lumen type based on using a glass lens. See tables for lumens when changing lenses.

**DISCLAIMER.** All product information provided is, to the best of Dialight's knowledge, accurate as of the date of publication. When ordering, refer to [www.dialight.com](http://www.dialight.com) for current versions of: (a) relevant product documentation (including the relevant product data sheets); (b) Dialight terms and conditions of sale; and, (c) the relevant product warranty. To the extent that any contract is deemed formed between Dialight and the purchaser of Dialight products and/or an end-user, versions of documents available at [www.dialight.com](http://www.dialight.com) as at the date of sale shall be the versions incorporated therein. In the event of any discrepancy between this document or information provided at [www.dialight.com](http://www.dialight.com), the latter shall prevail.



# Ordering Information

## Class I, Div. 2 and Class I, Zone 2



Corded Model - Class I, Div. 2 and Class I, Zone 2 - 100-277 VAC / 120-250 VDC								
Part Number	Lumens	Wattage	lm/W	CCT	Lens	Beam Distribution	Hardware Options	Wiring
HED-7WC2-ENNW-NGN	27,200	185	147	CW	Glass - Clear	Wide	Pendant 3/4" NPT	10' Power Cable
HED-7MC2-ENPW-NGN	27,500	185	149	CW	Glass - Clear	Medium	Pendant 3/4" NPT with Safety Tabs	10' Power Cable
HED-7WC2-ENPW-NGN	27,200	185	147	CW	Glass - Clear	Wide	Pendant 3/4" NPT with Safety Tabs	10' Power Cable
HED-7WC2-ENTW-NGN	27,200	185	147	CW	Glass - Clear	Wide	HBXW3-SSL-316 Bracket with Safety Tabs	10' Power Cable
HED-7MC2-ENNW-NGN	27,500	185	149	CW	Glass - Clear	Medium	Pendant 3/4" NPT	10' Power Cable
HED-7WC2-ENWV-NGN	27,200	185	147	CW	Glass - Clear	Wide	HBXW3-SSL-316FT Bracket with Safety Tabs	10' Power Cable
HED-4MC2-ENNW-NGN	27,200	185	147	CW	Polycarbonate - Clear	Medium	Pendant 3/4" NPT	10' Power Cable
HED-7WC2-CNWV-NGN	19,600	130	151	CW	Glass - Clear	Wide	HBXW3-SSL-316FT Bracket with Safety Tabs	10' Power Cable
HED-7MC2-CNPW-NGN	19,800	130	152	CW	Glass - Clear	Medium	Pendant 3/4" NPT with Safety Tabs	10' Power Cable
HED-7WC2-CNNW-NGN	19,600	130	151	CW	Glass - Clear	Wide	Pendant 3/4" NPT	10' Power Cable
HED-7WC2-CNTW-NGN	19,600	130	151	CW	Glass - Clear	Wide	HBXW3-SSL-316 Bracket with Safety Tabs	10' Power Cable
HED-4MC2-CNNW-NGN	19,600	130	151	CW	Polycarbonate - Clear	Medium	Pendant 3/4" NPT	10' Power Cable
HED-7MC2-CNNW-NGN	19,800	130	152	CW	Glass - Clear	Medium	Pendant 3/4" NPT	10' Power Cable
HED-7MC2-BNNW-NGN	14,900	100	149	CW	Glass - Clear	Medium	Pendant 3/4" NPT	10' Power Cable
HED-7WC2-BNPW-NGN	14,800	100	148	CW	Glass - Clear	Wide	Pendant 3/4" NPT with Safety Tabs	10' Power Cable
HED-7MC2-BNPW-NGN	14,900	100	149	CW	Glass - Clear	Medium	Pendant 3/4" NPT with Safety Tabs	10' Power Cable
HED-7MN2-BNPW-NGN	14,900	100	149	NW	Glass - Clear	Medium	Pendant 3/4" NPT with Safety Tabs	10' Power Cable
HED-7WC2-BNNW-NGN	14,800	100	148	CW	Glass - Clear	Wide	Pendant 3/4" NPT	10' Power Cable
HED-4MC2-BNNW-NGN	14,800	100	148	CW	Polycarbonate - Clear	Medium	Pendant 3/4" NPT	10' Power Cable
HED-7MC2-ANNW-NGN	11,600	80	145	CW	Glass - Clear	Medium	Pendant 3/4" NPT	10' Power Cable
HED-7MC2-ANPW-NGN	11,600	80	145	CW	Glass - Clear	Medium	Pendant 3/4" NPT with Safety Tabs	10' Power Cable
HED-7WC2-ANNW-NGN	11,500	80	144	CW	Glass - Clear	Wide	Pendant 3/4" NPT	10' Power Cable
HED-4MC2-ANNW-NGN	11,500	80	144	CW	Polycarbonate - Clear	Medium	Pendant 3/4" NPT	10' Power Cable
HED-5MC2-ANNW-NGN	10,900	80	136	CW	Polycarbonate - Diffused	Medium	Pendant 3/4" NPT	10' Power Cable
Corded Model - Class I, Div. 2 and Class I, Zone 2 - 347-480 VAC								
HED-7MC5-EDNW-NGN	27,500	185	149	CW	Polycarbonate - Clear	Medium	Pendant 3/4" NPT	10' Power Cable
HED-7MC5-ENNW-NGN	27,500	185	149	CW	Glass - Clear	Medium	Pendant 3/4" NPT	10' Power Cable
HED-7MC5-CDNW-NGN	19,800	130	152	CW	Polycarbonate - Clear	Medium	Pendant 3/4" NPT	10' Power Cable
HED-7MC5-BDNW-NGN	14,900	100	149	CW	Glass - Clear	Medium	Pendant 3/4" NPT	10' Power Cable
HED-4MC5-ADNW-NGN	11500	80	144	CW	Glass - Clear	Medium	Pendant 3/4" NPT	10' Power Cable

All values typical unless otherwise stated (tolerance +/- 10%)

0-10V dimming option available for products in the above table. Replace the ninth character **N** with **D**. Ex: HED-7MC2-ENNW-NGN becomes HED-7MC2-EDNW-NGN.

**DISCLAIMER.** All product information provided is, to the best of Dialight's knowledge, accurate as of the date of publication. When ordering, refer to [www.dialight.com](http://www.dialight.com) for current versions of: (a) relevant product documentation (including the relevant product data sheets); (b) Dialight terms and conditions of sale; and, (c) the relevant product warranty. To the extent that any contract is deemed formed between Dialight and the purchaser of Dialight products and/or an end-user, versions of documents available at [www.dialight.com](http://www.dialight.com) as at the date of sale shall be the versions incorporated therein. In the event of any discrepancy between this document or information provided at [www.dialight.com](http://www.dialight.com), the latter shall prevail.

# SafeSite® LED High Bay - UL / CSA

## Passive Power Supply Model - 347 or 480 VAC



### Mechanical Information:

#### Fixture weight:

40 lbs (18 kg)

#### Shipping weight:

45 lbs (20 kg)

#### Mounting:

3/4" NPT - top  
Various Kits

Patent pending

### Certifications & Ratings:

10 year warranty

UL 1598/A (wet locations)

UL 8750

IP66

Class I, Div. 2 Groups A, B, C, D

Class I, Zone 2, Group IIC

Class II, Div. 1 Groups E, F, G

Class II, Div. 2 Groups F, G

Class III, Div. 1 & 2

CSA C22.2 No. 250.0-08

NEMA 4X

L70 rated for >150,000 hours

### Electrical Specifications:

#### Operating Voltage:

347 or 480 VAC

#### Total system power consumption:

See table

#### Operating Temp:

-40°F to +149°F (-40°C to +65°C)

#### Harmonics:

IEC 61000-3-2 Class C

#### Noise requirement /EMC:

FCC Title 47, Subpart B, Section 15, class A device. RF Immunity; 10V/m, 80MHz-1GHz

#### Transient protection:

Protection devices capable of handling up to 10kV. Tested for 10kV/2 ohm combination wave, as per IEEE C62.41, line-line and line ground

#### THD:

<20%

#### Power Factor:

>0.9

#### Fusing:

Internal

### Construction:

#### Housing:

Copper free aluminum

#### Finish:

Superior dual coat finish  
Sealed polyester topcoat  
Chemical-resistant epoxy primer

#### Lens:

See table

### Photometric Information:

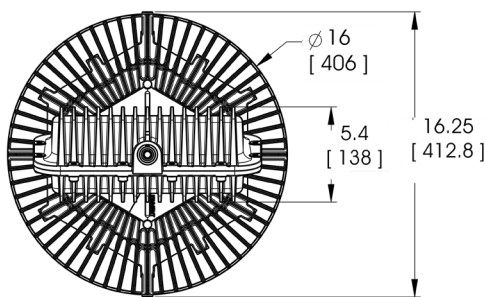
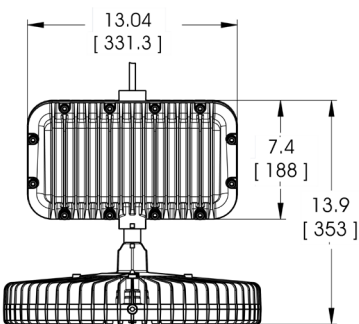
#### CRI:

80

#### CCT:

5000K (cool white)  
4000K (neutral white)

All values typical unless otherwise stated (tolerance +/- 10%)



Dimensions in inches (mm)

**WARNING - INSTALLATION & SECONDARY RETENTION.** Use of any Dialight products without proper installation (including secondary retention / netting) and periodic inspections could cause severe injury or death. Dialight recommends that all installations should use secondary retention / netting (appropriate to the installation environment) where applicable. It is the exclusive responsibility of the contractor, installer and/or end-user to: (a) determine the suitability of the product for its intended application; and, (b) ensure that the product is safely installed (with secondary retention / netting where appropriate) and in compliance with all applicable laws and regulations. To the extent permissible under applicable laws, Dialight disclaims all liability for personal injury and/or other damage resulting from any dislodgment or other dislocation of its products.

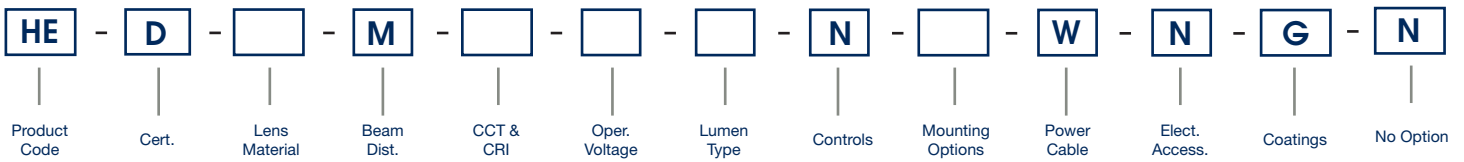
# SafeSite® LED High Bay - UL / CSA

Passive Power Supply Model - 347 or 480 VAC



Project Information		Specifications	
Part Number:			
Project:			
Fixture Type:		Date:	

## Ordering Information



Product Code	Beam Distribution	Lumen Type	Power Cable
HE High Bay	M Medium	A 11,300 Lumens B 14,300 Lumens C 18,000 Lumens E 27,000 Lumens	W 10' (3 meter) Power Cable
Certification	CCT & CRI	Controls	Electrical Accessories
D UL 844 CID2, CII, CIII Class I, Zone 2	C Cool White 5000K - 80 CRI N Neutral White 4000K - 80 CRI	N No Dimming	N No Plug
Lens Material	Operating Voltage	Mounting Options	Coatings
7 Glass - Clear L Polycarbonate Dome - Diffused R Power Wash Glass, Clear	P 480 VAC Q 347 VAC	N Pendant 3/4" NPT P Pendant 3/4" NPT with Safety Retention Tabs	G Gray (RAL 7040)
			Option
			N No Option

### Notes

1) Lumen type based on using a glass lens. See tables for lumens when changing lenses.

DISCLAIMER. All product information provided is, to the best of Dialight's knowledge, accurate as of the date of publication. When ordering, refer to [www.dialight.com](http://www.dialight.com) for current versions of: (a) relevant product documentation (including the relevant product data sheets); (b) Dialight terms and conditions of sale; and, (c) the relevant product warranty. To the extent that any contract is deemed formed between Dialight and the purchaser of Dialight products and/or an end-user, versions of documents available at [www.dialight.com](http://www.dialight.com) as at the date of sale shall be the versions incorporated therein. In the event of any discrepancy between this document or information provided at [www.dialight.com](http://www.dialight.com), the latter shall prevail.

# Ordering Information

## SafeSite® LED High Bay - Passive Power Supply Model



Passive Power Supply Model - 347 VAC								
Part Number	Lumens	Wattage	lm/W	CCT	Lens	Beam Distribution	Hardware Options	Wiring
HED-7MCQ-ENNW-NGN	27,000	206	131	CW	Glass - Clear	Medium	Pendant 3/4" NPT	10' Power Cable
HED-7MCQ-CNNW-NGN	18,000	136	132	CW	Glass - Clear	Medium	Pendant 3/4" NPT	10' Power Cable
HED-7MCQ-BNNW-NGN	14,300	100	143	CW	Glass - Clear	Medium	Pendant 3/4" NPT	10' Power Cable
HED-7MCQ-ANNW-NGN	11,300	81	140	CW	Glass - Clear	Medium	Pendant 3/4" NPT	10' Power Cable
Passive Power Supply Model - 480 VAC								
HED-7MCP-ENNW-NGN	27,000	206	131	CW	Glass - Clear	Medium	Pendant 3/4" NPT	10' Power Cable
HED-7MCP-CNNW-NGN	18,000	129	140	CW	Glass - Clear	Medium	Pendant 3/4" NPT	10' Power Cable
HED-7MCP-BNNW-NGN	14,300	116	123	CW	Glass - Clear	Medium	Pendant 3/4" NPT	10' Power Cable
HED-7MCP-ANNW-NGN	11,300	73	155	CW	Glass - Clear	Medium	Pendant 3/4" NPT	10' Power Cable

All values typical unless otherwise stated (tolerance +/- 10%)

**DISCLAIMER.** All product information provided is, to the best of Dialight's knowledge, accurate as of the date of publication. When ordering, refer to [www.dialight.com](http://www.dialight.com) for current versions of: (a) relevant product documentation (including the relevant product data sheets); (b) Dialight terms and conditions of sale; and, (c) the relevant product warranty. To the extent that any contract is deemed formed between Dialight and the purchaser of Dialight products and/or an end-user, versions of documents available at [www.dialight.com](http://www.dialight.com) as at the date of sale shall be the versions incorporated therein. In the event of any discrepancy between this document or information provided at [www.dialight.com](http://www.dialight.com), the latter shall prevail.

# SafeSite® LED Low Bay - UL / CSA

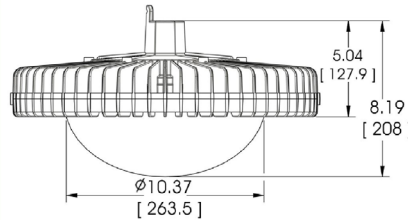
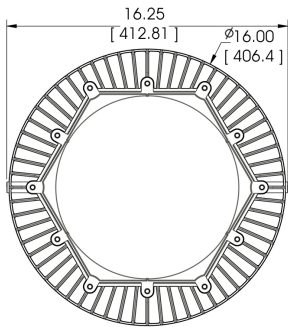
## Corded Model & Integrated Wiring Box Model

### Corded Model



#### Mechanical Information:

- Fixture weight:**  
18 lbs (8.16kg)
- Shipping weight:**  
24 lbs (10.8kg)
- Mounting:**  
3/4" NPT - top  
Various Kits
- Power Cord:**  
10' 18 AWG ST00W/S00W

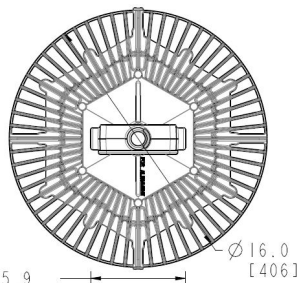
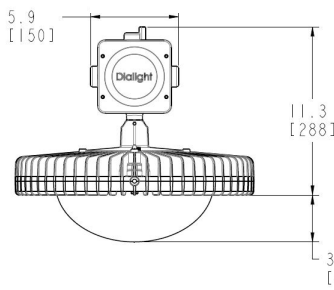


### Integrated Wiring Box Model



#### Mechanical Information:

- Fixture weight:**  
20 lbs (9 kg)
- Shipping weight:**  
26 lbs (12 kg)
- Mounting:**  
3/4" NPT or Hook  
Various Kits
- Wiring Box Cable Entries:**  
(2x) 3/4" NPT



#### Certifications & Ratings:

- 10 year warranty
- UL 1598/A (wet locations)
- UL 8750
- IP66/67
- Class I, Div. 2, Groups A, B, C, D
- Class I, Zone 2, Group IIC
- Class II, Div. 1 Groups E, F, G (corded model only)
- Class II, Div. 2 Groups F, G
- Class III, Div. 1 & 2
- CSA C22.2 No. 250.0-08
- NEMA 4X
- L70 rated for >150,000 hours

#### Variable Dimming:

- Variable Dimming Control:** 0-10 VDC
- Dimming Range:** 10 VDC = 100% light output  
0 VDC = <10% light output

#### Electrical Specifications:

- Operating Voltage:** 100-277 VAC (120-250 VDC)  
347-480 VAC

#### Total system power consumption:

See table

#### Operating Temp:

-40°F to +149°F (-40°C to +65°C)

#### Harmonics:

IEC 61000-3-2 Class C

#### Noise requirement /EMC:

FCC Title 47, Subpart B, Section 15, class A device. RF Immunity; 10V/m, 80MHz-1GHz

#### Transient protection:

100-277 VAC models tested to withstand up to 8kV/4kA per IEEE C62.41  
347-480VAC models tested to withstand up to 6kV/3kA per IEEE C62.41

#### THD:

6k-18k lm models: <20%  
4k lm models: <30%

#### Power Factor:

>0.9

#### Fusing:

Internal

#### Construction:

- Housing:** Copper free aluminum
- Finish:** Superior dual coat finish  
Sealed polyester topcoat  
Chemical-resistant epoxy primer

#### Lens:

See table

#### Photometric Information:

- CRI:** 80
- CCT:** 5000K (cool white)  
4000K (neutral white)  
2700K (warm white)

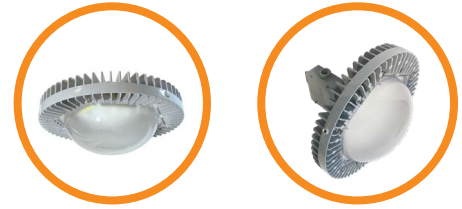
All values typical unless otherwise stated (tolerance +/- 10%)

Dimensions in inches (mm)

**WARNING - INSTALLATION & SECONDARY RETENTION.** Use of any Dialight products without proper installation (including secondary retention / netting) and periodic inspections could cause severe injury or death. Dialight recommends that all installations should use secondary retention / netting (appropriate to the installation environment) where applicable. It is the exclusive responsibility of the contractor, installer and/or end-user to: (a) determine the suitability of the product for its intended application; and, (b) ensure that the product is safely installed (with secondary retention / netting where appropriate) and in compliance with all applicable laws and regulations. To the extent permissible under applicable laws, Dialight disclaims all liability for personal injury and/or other damage resulting from any dislodgment or other dislocation of its products.

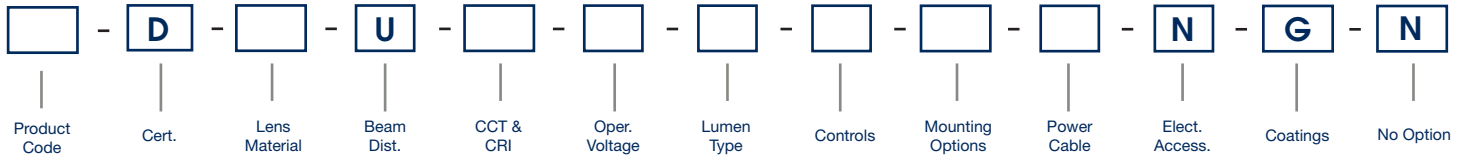
# SafeSite® LED Low Bay - UL / CSA

## Corded & Integrated Wiring Box



Project Information		Specifications	
Part Number:			
Project:			
Fixture Type:		Date:	

### Ordering Information



<b>Product Code</b> LC Low Bay Integrated Wiring Box LE Low Bay	<b>Beam Distribution</b> U Ultra Wide	<b>Lumen Type</b> 4 3,900 Lumens (100-277V only) 6 6,400 Lumens (100-277V only) 9 9,200 Lumens B 13,200 Lumens C 17,200 Lumens	<b>Power Cable</b> N No Cord (LC only) W 10' [3 meter] Power Cable (LE only)
<b>Certification</b> D UL 844 CID2, CII, CIII Class I, Zone 2	<b>CCT &amp; CRI</b> C Cool White 5000K - 80 CRI N Neutral White 4000K - 80 CRI	<b>Controls</b> D Dimming (0-10V) N No Option	<b>Electrical Accessories</b> N No Plug
<b>Lens Material</b> 4 Polycarbonate - Clear 5 Polycarbonate - Diffused L Polycarbonate Dome - Diffused	<b>Operating Voltage</b> 2 100-277 VAC / 120-250 VDC 5 347-480 VAC	<b>Mounting Options</b> H Hook (LC only) N Pendant 3/4" NPT P Pendant 3/4" NPT with Safety Retention Tabs R Safety Retention Tabs with Hook (LC only)	<b>Coatings</b> G Gray (RAL 7040)
			<b>Option</b> N No Option

**DISCLAIMER.** All product information provided is, to the best of Dialight's knowledge, accurate as of the date of publication. When ordering, refer to [www.dialight.com](http://www.dialight.com) for current versions of: (a) relevant product documentation (including the relevant product data sheets); (b) Dialight terms and conditions of sale; and, (c) the relevant product warranty. To the extent that any contract is deemed formed between Dialight and the purchaser of Dialight products and/or an end-user, versions of documents available at [www.dialight.com](http://www.dialight.com) as at the date of sale shall be the versions incorporated therein. In the event of any discrepancy between this document or information provided at [www.dialight.com](http://www.dialight.com), the latter shall prevail.



# Ordering Information

## Corded Model & Integrated Wiring Box Model



Corded Model - Class I, Div. 2 - 100-277 VAC / 120-250 VDC								
Part Number	Lumens	Wattage	lm/W	CCT	Lens	Beam Distribution	Hardware Options	Wiring
LED-LUC2-CNNW-NGN	17,200	150	115	CW	Polycarbonate Dome - Diffused	Ultra Wide	Pendant 3/4" NPT	10' Power Cable
LED-LUC2-BNNW-NGN	13,100	112	117	CW	Polycarbonate Dome - Diffused	Ultra Wide	Pendant 3/4" NPT	10' Power Cable
LED-LUC2-9NNW-NGN	9,200	78	118	CW	Polycarbonate Dome - Diffused	Ultra Wide	Pendant 3/4" NPT	10' Power Cable
LED-LUC2-6NNW-NGN	6,400	50	128	CW	Polycarbonate Dome - Diffused	Ultra Wide	Pendant 3/4" NPT	10' Power Cable
Corded Model - Class I, Div. 2 - 347-480 VAC								
LED-LUC5-CNNW-NGN	17,200	150	115	CW	Polycarbonate Dome - Diffused	Ultra Wide	Pendant 3/4" NPT	10' Power Cable
LED-LUC5-BNNW-NGN	13,100	112	117	CW	Polycarbonate Dome - Diffused	Ultra Wide	Pendant 3/4" NPT	10' Power Cable
LED-LUC5-9NNW-NGN	9,200	78	118	CW	Polycarbonate Dome - Diffused	Ultra Wide	Pendant 3/4" NPT	10' Power Cable

All values typical unless otherwise stated (tolerance +/- 10%)

0-10V dimming option available for products in the above table. Replace the ninth character **N** with **D**. Ex: LEU-LUC2-9**N**NW-NGN becomes LEU-LUC2-9**D**NW-NGN.

**DISCLAIMER.** All product information provided is, to the best of Dialight's knowledge, accurate as of the date of publication. When ordering, refer to [www.dialight.com](http://www.dialight.com) for current versions of: (a) relevant product documentation (including the relevant product data sheets); (b) Dialight terms and conditions of sale; and, (c) the relevant product warranty. To the extent that any contract is deemed formed between Dialight and the purchaser of Dialight products and/or an end-user, versions of documents available at [www.dialight.com](http://www.dialight.com) as at the date of sale shall be the versions incorporated therein. In the event of any discrepancy between this document or information provided at [www.dialight.com](http://www.dialight.com), the latter shall prevail.

# SafeSite® LED High Bay

## Lumen Tables

SafeSite CID1 High Bay 100-277 VAC						
Output	Wattage	Lens	Lens Material	Lumens 5000K CCT	Lumens 4000K CCT	Lumens 2700K CCT
E	186	7	Glass	23,500	23,000	20,000
	186	8	Glass Diffused	20,800	20,300	17,600
C	129	7	Glass	16,000	15,700	13,600
	129	8	Glass Diffused	14,000	13,700	11,900
B	102	7	Glass	12,500	12,200	10,600
	102	8	Glass Diffused	11,000	10,800	9,400
A	80	7	Glass	9,500	9,300	8,100
	80	8	Glass Diffused	8,400	8,200	7,100

Higher efficiency models available. See Ultra-Efficient High Bay spec sheet.

Passive Power Supply							
Output	Wattage 347 VAC	Wattage 480 VAC	Lens	Lens Material	Lumens 5000K CCT	Lumens 4000K CCT	Lumens 2700K CCT
E	206	206	7, R	Glass	27,000	26,400	23,000
	206	206	L, Z	Polycarbonate Dome Diffused	25,000	24,500	21,300
	206	206	8, S	Glass Diffused	23,800	23,300	20,200
C	136	129	7, R	Glass	18,000	17,600	15,300
	136	129	L, Z	Polycarbonate Dome Diffused	16,800	16,400	14,300
	136	129	8, S	Glass Diffused	15,800	15,500	13,400
B	100	116	7, R	Glass	14,300	14,000	12,200
	100	116	L, Z	Polycarbonate Dome Diffused	13,300	13,000	11,300
	100	116	8, S	Glass Diffused	12,500	12,200	10,600
A	81	73	7, R	Glass	11,300	11,100	9,600
	81	73	L, Z	Polycarbonate Dome Diffused	10,300	10,100	8,800
	81	73	8, S	Glass Diffused	9,800	9,600	8,300

**DISCLAIMER.** All product information provided is, to the best of Dialight's knowledge, accurate as of the date of publication. When ordering, refer to [www.dialight.com](http://www.dialight.com) for current versions of: (a) relevant product documentation (including the relevant product data sheets); (b) Dialight terms and conditions of sale; and, (c) the relevant product warranty. To the extent that any contract is deemed formed between Dialight and the purchaser of Dialight products and/or an end-user, versions of documents available at [www.dialight.com](http://www.dialight.com) as at the date of sale shall be the versions incorporated therein. In the event of any discrepancy between this document or information provided at [www.dialight.com](http://www.dialight.com), the latter shall prevail.

# SafeSite® LED High Bay

## Accessories



Suitable for:  
CID1 • CID2

### HBXW1

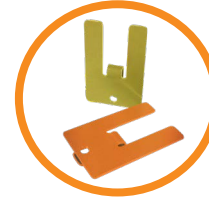
- Wall mount
- Ceiling mount



Suitable for: CID2

### HBXW2

- Swivel bracket and cable gland



### HBXFLAG-Y

### HBXFLAG-O

- Yellow Aluminum
- Orange Aluminum



Suitable for:  
CID2

### HBXCG

- Cable gland



Suitable for: CID2

### HBX-DUAL-BRCKT

- Dual bracket



### HBXSB

- Stainless steel (4x)



### HBXCAB48

- 48" long stainless steel safety rope (for use with safety bracket)



Suitable for:  
CID1 • CID2

### HBXW3-SSL-316

- Stainless steel swivel bracket
- 316 Stainless steel

### HBXW3-SSL-304

- Stainless steel swivel bracket
- 304 Stainless steel

# SafeSite® LED Area Light

## 100-277 VAC, 120-250 VDC



### Certifications & Ratings\*

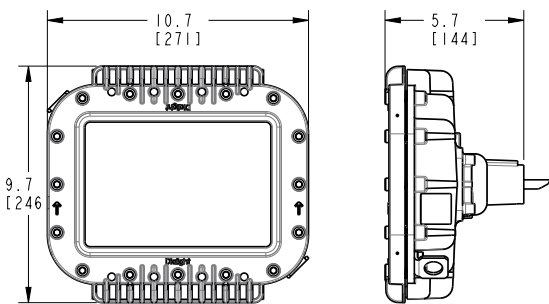
- 10 year warranty
- L70 > 150,000 hours @ 65°C
- UL 844, UL 1598/A
- CSA C22.2 No. 250
- CSA C22.2 No. 137-M81
- IP66 / 67 / 69
- NEMA 4X
- Factory sealed

### ALD/ALF:

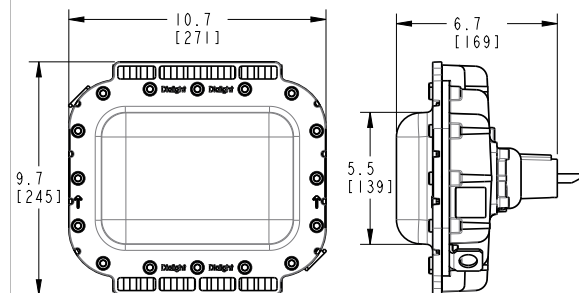
- Class I, Div. 2, Groups A, B, C, D
- Class I, Zone 2, Group IIC
- Class II, Div. 1, Groups E, F, G
- Zone 20 and 21
- Class II, Div. 2 Groups F, G
- Zone 22
- Class III, Div. 1 & 2

\*ETL listed

### Tempered Glass Lens



### Polycarbonate Lens



Dimensions in inches [mm]

### Mechanical Information:

- Fixture weight:** 10 lb (4.5 kg) - Polycarbonate lens  
 12 lb (5.5 kg) - Tempered glass lens  
**with stainless steel bracket:** 13 lb (5.9 kg) - Polycarbonate lens  
 15 lb (6.8 kg) - Tempered glass lens

**Shipping weight:** Add 2 lb (0.91 kg) to weights above

**Impact rating:** IK10 - Polycarbonate lens  
 IK07 - Tempered glass lens

**Cabling:** 10' STOOW 1.02mm 18 AWG

### Electrical Specifications:

**Operating voltage:** 100-277 VAC 50/60Hz, 120-250 VDC

**Total system power consumption:** See table

**Operating temperature:** -40°F to +149°F (-40°C to +65°C)

**EMC:** FCC Title 47, Subpart B, Section 15, Class A device  
 CISPR-15  
 RF Immunity 20V/m 80MHz-1GHz.

**Transient protection:** 6 kV, 2 Ohm line-line and line-ground

**Harmonics:** IEC 61000-3-2, Class C

**THD:** < 20%

**Power factor:** > 0.9

### Construction:

- Housing:** Copper-free aluminum
- Finish:** Superior dual coat finish  
 - Sealed polyester topcoat  
 - Epoxy primer

**Lens:** Hard-coated polycarbonate  
 Tempered glass

### Photometric Information:

**CRI:** 80

**CCT:** 5000K (cool white)  
 4000K (neutral white)

**Optics:** 360°  
 180° forward throw for 45° mounting  
 Wide for 0° mounting

All values typical unless otherwise stated (tolerance +/- 10%)

### Temperature Ratings

Ambient Temperature Range T4A	Ambient Temperature Range T5
-40°F to +149°F (-40°C to +65°C)	-40°F to +113°F (-40°C to +45°C)

**WARNING - INSTALLATION & SECONDARY RETENTION.** Use of any Dialight products without proper installation (including secondary retention / netting) and periodic inspections could cause severe injury or death. Dialight recommends that all installations should use secondary retention / netting (appropriate to the installation environment) where applicable. It is the exclusive responsibility of the contractor, installer and/or end-user to: (a) determine the suitability of the product for its intended application; and, (b) ensure that the product is safely installed (with secondary retention / netting where appropriate) and in compliance with all applicable laws and regulations. To the extent permissible under applicable laws, Dialight disclaims all liability for personal injury and/or other damage resulting from any dislodgment or other dislocation of its products.

# SafeSite® LED Area Light

100-277 VAC, 120-250 VDC with Universal Mounting Adapter

## Universal Mounting Adapter



For use with HZXW01, HZXW45, HZXS45 or HZXFM brackets sold separately



HZXW01



HZXS45



HZXS90 / HZX T90



HZXC V34

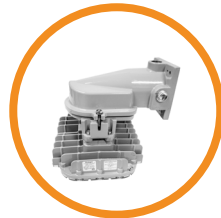


HZXW45

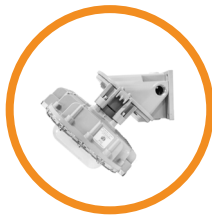


HZXFM

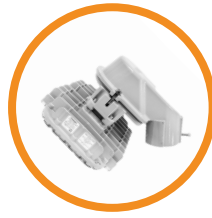
### Wall & Ceiling Mount



### 45° Wall Mount



### 45° Stanchion Mount



### Ceiling Mount



### Conveyor Mount



### 90° Stanchion Mount



### Certifications & Ratings\*

- 10 year warranty
- L70 > 150,000 hours @ 65°C
- UL 844, UL 1598/A
- CSA C22.2 No. 250
- CSA C22.2 No. 137-M81
- IP66 / 67
- NEMA 4X
- Factory sealed

### ALD/ALF:

- Class I, Div. 2, Groups A, B, C, D
- Class I, Zone 2, Group IIC
- Class II, Div. 1, Groups E, F, G
- Zone 20 and 21
- Class II, Div. 2 Groups F, G
- Zone 22
- Class III, Div. 1 & 2

\*ETL listed

### Mechanical Information:

#### Fixture weight:

- UMA models: 12 lb (5.5 kg) - Polycarbonate lens  
15 lb (6.8 kg) - Tempered glass lens
- Wall mount models: 15 lb (6.8 kg) - Polycarbonate lens  
18 lb (8.2 kg) - Tempered glass lens
- 45° wall mount models: 14 lb (6.4 kg) - Polycarbonate lens  
17 lb (7.7 kg) - Tempered glass lens
- 45° stanchion mount: 15 lb (6.8 kg) - Polycarbonate lens  
18 lb (8.2 kg) - Tempered glass lens
- Ceiling mount: 14 lb (6.4 kg) - Polycarbonate lens  
7 lb (7.7 kg) - Tempered glass lens
- 90° stanchion mount: 16 lb (7.2 kg) - Polycarbonate lens  
19 lb (8.6 kg) - Tempered glass lens

#### Shipping weight:

Add 2 lb (0.91 kg) to weights above

#### Cabling:

14" leads 1.02 mm 18 AWG

#### Impact rating:

IK10 - Polycarbonate lens  
IK07 - Tempered glass lens

### Electrical Specifications:

**Operating voltage:** 100-277 VAC 50/60Hz, 120-250 VDC

**Operating temperature:** -40°F to +149°F (-40°C to +65°C)

#### EMC:

FCC Title 47, Subpart B, Section 15, Class A device  
CISPR-15  
RF Immunity 20V/m 80MHz-1GHz.

#### Transient protection:

6 kV, 2 Ohm line-line and line-ground

#### Harmonics:

IEC 61000-3-2, Class C

#### THD:

< 20%

#### Power factor:

> 0.9

### Construction:

**Housing:** Copper-free aluminum

#### Finish:

Superior dual coat finish  
- Sealed polyester topcoat  
- Epoxy primer

#### Lens:

Hard-coated polycarbonate  
Tempered glass

### Photometric Information:

**CRI:** 80

**CCT:** 5000K (cool white)  
4000K (neutral white)

#### Optics:

360°  
180° forward throw for 45° mounting  
Wide for 0° mounting

All values typical unless otherwise stated (tolerance +/- 10%)

### Temperature Ratings

Ambient Temperature Range T4A

Ambient Temperature Range T5

-40°F to +149°F (-40°C to +65°C)

-40°F to +113°F (-40°C to +45°C)

**WARNING - INSTALLATION & SECONDARY RETENTION.** Use of any Dialight products without proper installation (including secondary retention / netting) and periodic inspections could cause severe injury or death. Dialight recommends that all installations should use secondary retention / netting (appropriate to the installation environment) where applicable. It is the exclusive responsibility of the contractor, installer and/or end-user to: (a) determine the suitability of the product for its intended application; and, (b) ensure that the product is safely installed (with secondary retention / netting where appropriate) and in compliance with all applicable laws and regulations. To the extent permissible under applicable laws, Dialight disclaims all liability for personal injury and/or other damage resulting from any dislodgment or other dislocation of its products.

# SafeSite® LED Area Light

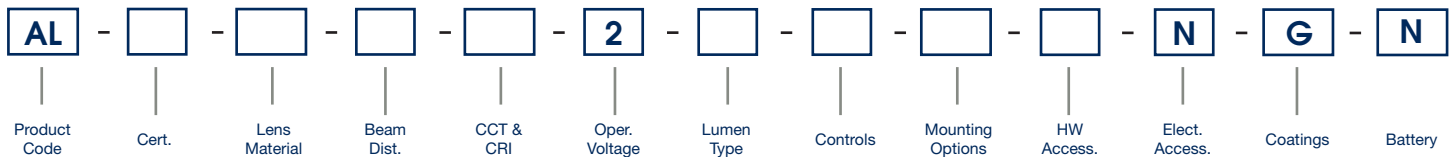
100-277 VAC, 120-250 VDC



Project Information	
Part Number:	
Project:	
Fixture Type:	Date:

Specifications

## Ordering Information



### Product Code

AL Area Light

### Certification

D UL 844 Class I, Div. 2  
 Class II, Div. 1, 2, Class III, Div. 1, 2  
 Class I, Zone 2, Group IIC,  
 CSA C22.2 No. 137-M81

F UL 844 Class II Div. 1, 2  
 Class I Div. 2, Class III, Div. 1, 2  
 CSA C22.2 No. 137- M81

### Lens Material

5 Polycarbonate - Diffused

7 Tempered Glass - Clear

### Beam Distribution

A 180°

B 360°

W Wide

### CCT & CRI

C Cool White 5000K - 80 CRI

N Neutral White 4000K - 80 CRI

### Operating Voltage

2 100-277 VAC, 120-250 VDC

### Lumen Type

3 3,100 Lumens

4 4,200 Lumens

6 5,700 Lumens

7 7,300 Lumens

9 9,000 Lumens

\*For lumen output see page 21

### Controls

D Dimming (0-10V)

N No Option

### Mounting Options

Retro-fit Adapter

Universal Mounting Adapter (UMA)

B Swivel Bracket, Locking 0°- 90°  
 316 Stainless Steel

N 3/4" NPT Pendant

A Appleton Mercmaster III

C Crouse-Hinds - Champ

G GE Filtr-Gard

H Thomas & Betts Hazlux

K Killark Certilite & Certilite V

M Appleton Mercmaster II

P Holophane Petrolux II and III

F Ceiling Mount

S 45° Stanchion Mount

T 90° Stanchion Mount (NPT)

U UMA - Mounting Hub

V 0° Wall Mount

W 45° Wall Mount

Y 34mm Conveyor Mount

### Hardware Accessories

N For Mounting Options - A, C, F, G, H, K, M, S, U, V, W, Y (individual wire leads are terminated in adapter housing)

W 10 ft (3 meter) Power Cable for Mounting Options - B, N

### Electrical Accessories

N No Option

### Coatings

G Gray (RAL 7040)

### Battery

N No Option

### Notes

- 1) For DLC approved model, dimming option is required.
- 2) When ordering Beam Distribution W - Wide: Lumen Type = 7.
- 3) When ordering Mounting Options "UMA" or "Retro-fit": Hardware Accessories = N.
- 4) When ordering Mounting Option U - UMA Mounting Hub HZXW01, HZXW45, HZXS45, HZXT90, HZXF0M or HZXC34 are required. See page 28 for details.
- 5) Lumen outputs shown are for Tempered Glass lens, 360° optic. For additional options please see page 21.

**DISCLAIMER.** All product information provided is, to the best of Dialight's knowledge, accurate as of the date of publication. When ordering, refer to [www.dialight.com](http://www.dialight.com) for current versions of: (a) relevant product documentation (including the relevant product data sheets); (b) Dialight terms and conditions of sale; and, (c) the relevant product warranty. To the extent that any contract is deemed formed between Dialight and the purchaser of Dialight products and/or an end-user, versions of documents available at [www.dialight.com](http://www.dialight.com) as at the date of sale shall be the versions incorporated therein. In the event of any discrepancy between this document or information provided at [www.dialight.com](http://www.dialight.com), the latter shall prevail.



# Ordering Information

SafeSite® LED Area Light - 100-277 VAC,  
120-250 VDC



100-277 VAC, 120-250 VDC Model								
Part Number	Initial Fixture Lumens	Wattage	lm/W	CCT	Lens	Beam Distribution	Controls Option	Mounting
ALD-7AC2-9NNW-NGN	8,800	66	133	CW	Tempered Glass	180°	No Option	3/4" NPT
ALD-5AC2-9NNW-NGN	8,100	66	123	CW	Polycarbonate Diffused	180°	No Option	3/4" NPT
ALD-7BC2-9NNW-NGN	9,000	66	136	CW	Tempered Glass	360°	No Option	3/4" NPT
ALD-5BC2-9NNW-NGN	8,300	66	126	CW	Polycarbonate Diffused	360°	No Option	3/4" NPT
ALD-7AC2-7NNW-NGN	7,100	52	137	CW	Tempered Glass	180°	No Option	3/4" NPT
ALD-5AC2-7NNW-NGN	6,600	52	127	CW	Polycarbonate Diffused	180°	No Option	3/4" NPT
ALD-7BC2-7NNW-NGN	7,300	52	140	CW	Tempered Glass	360°	No Option	3/4" NPT
ALD-5BC2-7NNW-NGN	6,700	52	129	CW	Polycarbonate Diffused	360°	No Option	3/4" NPT
ALD-7WC2-7NNW-NGN	7,300	64	114	CW	Tempered Glass	Wide	No Option	3/4" NPT
ALD-5WC2-7NNW-NGN	6,700	64	105	CW	Polycarbonate Diffused	Wide	No Option	3/4" NPT
ALD-7AC2-6NNW-NGN	5,500	40	138	CW	Tempered Glass	180°	No Option	3/4" NPT
ALD-5AC2-6NNW-NGN	5,100	40	128	CW	Polycarbonate Diffused	180°	No Option	3/4" NPT
ALD-7BC2-6NNW-NGN	5,700	40	143	CW	Tempered Glass	360°	No Option	3/4" NPT
ALD-5BC2-6NNW-NGN	5,300	40	133	CW	Polycarbonate Diffused	360°	No Option	3/4" NPT
ALD-7AC2-4NNW-NGN	4,100	30	137	CW	Tempered Glass	180°	No Option	3/4" NPT
ALD-5AC2-4NNW-NGN	3,800	30	127	CW	Polycarbonate Diffused	180°	No Option	3/4" NPT
ALD-7BC2-4NNW-NGN	4,200	30	140	CW	Tempered Glass	360°	No Option	3/4" NPT
ALD-5BC2-4NNW-NGN	3,900	30	130	CW	Polycarbonate Diffused	360°	No Option	3/4" NPT
ALD-7AC2-3NNW-NGN	3,000	24	125	CW	Tempered Glass	180°	No Option	3/4" NPT
ALD-5AC2-3NNW-NGN	2,800	24	117	CW	Polycarbonate Diffused	180°	No Option	3/4" NPT
ALD-7BC2-3NNW-NGN	3,100	24	129	CW	Tempered Glass	360°	No Option	3/4" NPT
ALD-5BC2-3NNW-NGN	2,800	24	117	CW	Polycarbonate Diffused	360°	No Option	3/4" NPT
100-277 VAC, 120-250 VDC Model with Retro-fit Adapters - Crouse Hinds								
ALD-7BC2-7NCN-NGN	7,300	52	140	CW	Tempered Glass	360°	No Option	Retro-fit: Crouse Hinds
ALD-5BC2-7NCN-NGN	6,700	52	129	CW	Polycarbonate Diffused	360°	No Option	Retro-fit: Crouse Hinds
ALD-7BC2-6NCN-NGN	5,700	40	143	CW	Tempered Glass	360°	No Option	Retro-fit: Crouse Hinds
ALD-5BC2-6NCN-NGN	5,300	40	133	CW	Polycarbonate Diffused	360°	No Option	Retro-fit: Crouse Hinds
100-277 VAC, 120-250 VDC Model with Retro-fit Adapters - GE								
ALD-7BC2-7NGN-NGN	7,300	52	140	CW	Tempered Glass	360°	No Option	Retro-fit: GE
ALD-5BC2-7NGN-NGN	6,700	52	129	CW	Polycarbonate Diffused	360°	No Option	Retro-fit: GE
ALD-7BC2-6NGN-NGN	5,700	40	143	CW	Tempered Glass	360°	No Option	Retro-fit: GE
ALD-5BC2-6NGN-NGN	5,300	40	133	CW	Polycarbonate Diffused	360°	No Option	Retro-fit: GE

See ordering chart for additional options.

For DLC-approved products that require 0-10V dimming, replace the 9th character "N" with "D". ALU-7BC2-9NNW-NGN becomes ALU-7BC2-9DNW-NGN.

0-10V dimming products are supplied with a 5 conductor cable.

**DISCLAIMER.** All product information provided is, to the best of Dialight's knowledge, accurate as of the date of publication. When ordering, refer to [www.dialight.com](http://www.dialight.com) for current versions of: (a) relevant product documentation (including the relevant product data sheets); (b) Dialight terms and conditions of sale; and, (c) the relevant product warranty. To the extent that any contract is deemed formed between Dialight and the purchaser of Dialight products and/or an end-user, versions of documents available at [www.dialight.com](http://www.dialight.com) as at the date of sale shall be the versions incorporated therein. In the event of any discrepancy between this document or information provided at [www.dialight.com](http://www.dialight.com), the latter shall prevail.

# Ordering Information

SafeSite® LED Area Light - 100-277 VAC, 120-250 VDC

with Universal Mounting Adapter



100-277 VAC, 120-250 VDC with Universal Mounting Adapter

Part Number	Initial Fixture Lumens	Wattage	lm/W	CCT	Lens	Beam Distribution	Controls Option	Mounting
ALD-7AC2-7NUN-NGN	7,100	52	137	CW	Tempered Glass	180°	No Option	UMA Hub
ALD-5AC2-7NUN-NGN	6,600	52	127	CW	Polycarbonate Diffused	180°	No Option	UMA Hub
ALD-7BC2-7NUN-NGN	7,300	52	140	CW	Tempered Glass	360°	No Option	UMA Hub
ALD-5BC2-7NUN-NGN	6,700	52	129	CW	Polycarbonate Diffused	360°	No Option	UMA Hub
ALD-7AC2-6NUN-NGN	5,500	40	138	CW	Tempered Glass	180°	No Option	UMA Hub
ALD-5AC2-6NUN-NGN	5,100	40	128	CW	Polycarbonate Diffused	180°	No Option	UMA Hub
ALD-7BC2-6NUN-NGN	5,700	40	143	CW	Tempered Glass	360°	No Option	UMA Hub
ALD-5BC2-6NUN-NGN	5,300	40	133	CW	Polycarbonate Diffused	360°	No Option	UMA Hub
ALD-7AC2-7NSN-NGN	7,100	52	137	CW	Tempered Glass	180°	No Option	45° Stanchion
ALD-5AC2-7NSN-NGN	6,600	52	127	CW	Polycarbonate Diffused	180°	No Option	45° Stanchion
ALD-7AC2-6NSN-NGN	5,500	40	138	CW	Tempered Glass	180°	No Option	45° Stanchion
ALD-5AC2-6NSN-NGN	5,100	40	128	CW	Polycarbonate Diffused	180°	No Option	45° Stanchion
ALD-7AC2-4NSN-NGN	4,100	30	137	CW	Tempered Glass	180°	No Option	45° Stanchion
ALD-5AC2-4NSN-NGN	3,800	30	127	CW	Polycarbonate Diffused	180°	No Option	45° Stanchion
ALD-7AC2-7NWN-NGN	7,100	52	137	CW	Tempered Glass	180°	No Option	45° Wall
ALD-5AC2-7NWN-NGN	6,600	52	127	CW	Polycarbonate Diffused	180°	No Option	45° Wall
ALD-7AC2-6NWN-NGN	5,500	40	138	CW	Tempered Glass	180°	No Option	45° Wall
ALD-5AC2-6NWN-NGN	5,100	40	128	CW	Polycarbonate Diffused	180°	No Option	45° Wall
ALD-7AC2-4NWN-NGN	4,100	30	137	CW	Tempered Glass	180°	No Option	45° Wall
ALD-5AC2-4NWN-NGN	3,800	30	127	CW	Polycarbonate Diffused	180°	No Option	45° Wall
ALD-7AC2-7NVN-NGN	7,100	52	137	CW	Tempered Glass	180°	No Option	0° Wall
ALD-5AC2-7NVN-NGN	6,600	52	127	CW	Polycarbonate Diffused	180°	No Option	0° Wall
ALD-7AC2-6NVN-NGN	5,500	40	138	CW	Tempered Glass	180°	No Option	0° Wall
ALD-5AC2-6NVN-NGN	5,100	40	128	CW	Polycarbonate Diffused	180°	No Option	0° Wall
ALD-7AC2-4NVN-NGN	4,100	30	137	CW	Tempered Glass	180°	No Option	0° Wall
ALD-5AC2-4NVN-NGN	3,800	30	127	CW	Polycarbonate Diffused	180°	No Option	0° Wall
ALD-7BC2-7NFN-NGN	7,100	52	137	CW	Tempered Glass	360°	No Option	Ceiling Mount
ALD-5BC2-7NFN-NGN	6,600	52	127	CW	Polycarbonate Diffused	360°	No Option	Ceiling Mount
ALD-7BC2-6NFN-NGN	5,500	40	138	CW	Tempered Glass	360°	No Option	Ceiling Mount
ALD-5BC2-6NFN-NGN	5,100	40	128	CW	Polycarbonate Diffused	360°	No Option	Ceiling Mount
ALD-7BC2-4NFN-NGN	4,100	30	137	CW	Tempered Glass	360°	No Option	Ceiling Mount
ALD-5BC2-4NFN-NGN	3,800	30	127	CW	Polycarbonate Diffused	360°	No Option	Ceiling Mount

See ordering chart for additional options.

For DLC-approved products that require 0-10V dimming, replace the 9th character "N" with "D". ALU-7BC2-9NNW-NGN becomes ALU-7BC2-9DNW-NGN. 0-10V dimming products are supplied with a 5 conductor cable.

**DISCLAIMER.** All product information provided is, to the best of Dialight's knowledge, accurate as of the date of publication. When ordering, refer to [www.dialight.com](http://www.dialight.com) for current versions of: (a) relevant product documentation (including the relevant product data sheets); (b) Dialight terms and conditions of sale; and, (c) the relevant product warranty. To the extent that any contract is deemed formed between Dialight and the purchaser of Dialight products and/or an end-user, versions of documents available at [www.dialight.com](http://www.dialight.com) as at the date of sale shall be the versions incorporated therein. In the event of any discrepancy between this document or information provided at [www.dialight.com](http://www.dialight.com), the latter shall prevail.

# SafeSite® LED Area Light

## Class I, Div. 1



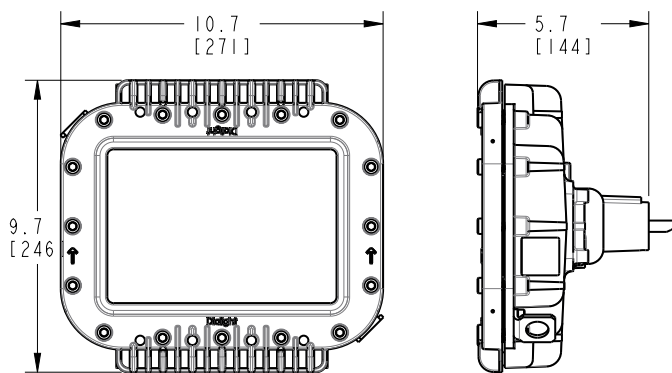
### Certifications & Ratings\*

- 10 year warranty
- L70 > 150,000 hours @ 65°C
- UL 844, UL 1598/A
- CSA C22.2 No. 250
- CSA C22.2 No. 137-M81
- IP66 / 67 / 69
- NEMA 4X
- Factory sealed
- Class I, Division 1, Group B-D Locations
- Class I, Zone 1, Group IIB + Hydrogen
- Class II, Division 1, Groups E-G Locations
- Zone 21, Zone 22

### OR

- Class I, Division 1, Groups C-D Locations
- Class I, Zone 1, Group IIB
- Class II, Division 1, Groups E-G Locations
- Zone 21, Zone 22

\*ETL listed



Dimensions in inches [mm]

### Mechanical Information:

<b>Fixture weight:</b>	15 lb (6.8 kg)
<b>Shipping weight:</b>	Add 2 lb (0.91 kg) to weights above
<b>Cabling:</b>	10' (3.5 m) 5 conductor SOOW
<b>Impact rating:</b>	IK07 - Tempered glass lens
<b>Cabling:</b>	10' ST00W 1.02mm 18 AWG

### Electrical Specifications:

<b>Operating voltage:</b>	100-277 VAC 50/60Hz, 120-250 VDC
<b>Total system power consumption:</b>	See table
<b>Operating temperature:</b>	-40°F to +149°F (-40°C to +65°C)
<b>EMC:</b>	FCC Title 47, Subpart B, Section 15, Class A device CISPR-15 RF Immunity 20V/m 80MHz-1GHz.
<b>Transient protection:</b>	6 kV, 2 Ohm line-line and line-ground
<b>Harmonics:</b>	IEC 61000-3-2, Class C
<b>THD:</b>	< 20%
<b>Power factor:</b>	> 0.9

### Construction:

<b>Housing:</b>	Copper-free aluminum
<b>Finish:</b>	Superior dual coat finish - Sealed polyester topcoat - Epoxy primer
<b>Lens:</b>	Tempered glass

### Photometric Information:

<b>CRI:</b>	80
<b>CCT:</b>	5000K (cool white) 4000K (neutral white)
<b>Optics:</b>	360° 180° forward throw for 45° mounting Wide for 0° mounting

All values typical unless otherwise stated (tolerance +/- 10%)

### Temperature Ratings

Ambient Temperature Range T4A	Ambient Temperature Range T5
-40°F to +149°F (-40°C to +65°C)	-40°F to +113°F (-40°C to +45°C)

**WARNING - INSTALLATION & SECONDARY RETENTION.** Use of any Dialight products without proper installation (including secondary retention / netting) and periodic inspections could cause severe injury or death. Dialight recommends that all installations should use secondary retention / netting (appropriate to the installation environment) where applicable. It is the exclusive responsibility of the contractor, installer and/or end-user to: (a) determine the suitability of the product for its intended application; and, (b) ensure that the product is safely installed (with secondary retention / netting where appropriate) and in compliance with all applicable laws and regulations. To the extent permissible under applicable laws, Dialight disclaims all liability for personal injury and/or other damage resulting from any dislodgment or other dislocation of its products.

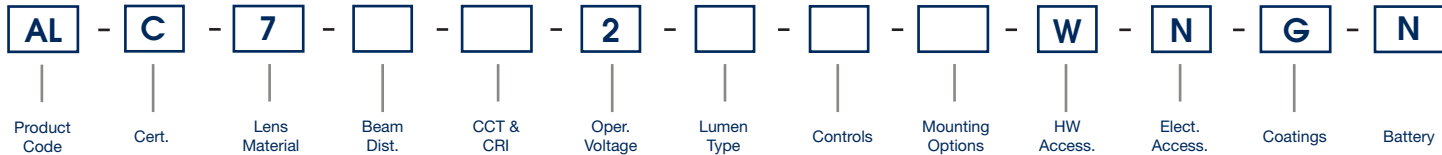
# SafeSite® LED Area Light

Class I, Div. 1



Project Information		Specifications	
Part Number:			
Project:			
Fixture Type:		Date:	

## Ordering Information



<p><b>Product Code</b></p> <p>AL Area Light</p>	<p><b>CCT &amp; CRI</b></p> <p>C Cool White 5000K - 80 CRI</p> <p>N Neutral White 4000K - 80 CRI</p>	<p><b>Mounting Options</b></p> <p>B Swivel Bracket, Locking 0° - 90° 316 Stainless Steel</p> <p>N 3/4" NPT</p>
<p><b>Certification</b></p> <p>C Class I, Division 1, Group B-D Locations Class I, Zone 1, Group IIB + Hydrogen Class II, Division 1, Groups E-G Locations Zone 21, Zone 22 OR Class I, Division 1, Groups C-D Locations Class I, Zone 1, Group IIB Class II, Division 1, Groups E-G Locations Zone 21, Zone 22</p>	<p><b>Operating Voltage</b></p> <p>2 100-277 VAC, 120-250 VDC</p>	<p><b>Hardware Accessories</b></p> <p>W 10 ft (3 meter) Power Cable</p>
<p><b>Lens Material</b></p> <p>7 Tempered Glass - Clear</p>	<p><b>Lumen Type</b></p> <p>3 3,001 - 4,000 Lumens</p> <p>4 4,001 - 5,000 Lumens</p> <p>6 5,001 - 6,000 Lumens</p> <p>7 6,001 - 7,000 Lumens</p> <p>9 8,001 - 9,000 Lumens</p>	<p><b>Electrical Accessories</b></p> <p>N No Option</p>
<p><b>Beam Distribution</b></p> <p>A 180°</p> <p>B 360°</p> <p>W Wide</p>	<p><b>Controls</b></p> <p>D Dimming (0-10V)</p> <p>N No Option</p>	<p><b>Coatings</b></p> <p>G Gray (RAL 7040)</p>
		<p><b>Battery</b></p> <p>N No Option</p>

Notes
1) When ordering Beam Distribution W - Wide: Lumen Type = 7.
2) For lumen output see page 21.

DISCLAIMER. All product information provided is, to the best of Dialight's knowledge, accurate as of the date of publication. When ordering, refer to [www.dialight.com](http://www.dialight.com) for current versions of: (a) relevant product documentation (including the relevant product data sheets); (b) Dialight terms and conditions of sale; and, (c) the relevant product warranty. To the extent that any contract is deemed formed between Dialight and the purchaser of Dialight products and/or an end-user, versions of documents available at [www.dialight.com](http://www.dialight.com) as at the date of sale shall be the versions incorporated therein. In the event of any discrepancy between this document or information provided at [www.dialight.com](http://www.dialight.com), the latter shall prevail.

# Ordering Information

## SafeSite® LED Area Light - Class I, Div. 1



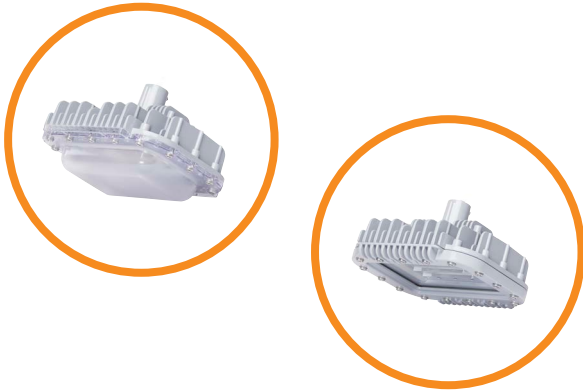
Class I, Div. 1 Model								
Part Number	Initial Fixture Lumens	Wattage	lm/W	CCT	Lens	Beam Distribution	Controls Option	Mounting
ALC-7BC2-9NNW-NGN	8,600	66	130	CW	Tempered Glass	360	No Option	3/4" NPT
ALC-7AC2-9NNW-NGN	8,400	66	127	CW	Tempered Glass	180	No Option	3/4" NPT
ALC-7BC2-7NNW-NGN	7,000	52	135	CW	Tempered Glass	360	No Option	3/4" NPT
ALC-7AC2-7NNW-NGN	6,800	52	131	CW	Tempered Glass	180	No Option	3/4" NPT
ALC-7BC2-6NNW-NGN	5,400	40	135	CW	Tempered Glass	360	No Option	3/4" NPT
ALC-7AC2-6NNW-NGN	5,300	40	133	CW	Tempered Glass	180	No Option	3/4" NPT
ALC-7BC2-4NNW-NGN	4,000	30	133	CW	Tempered Glass	360	No Option	3/4" NPT
ALC-7AC2-4NNW-NGN	3,900	30	130	CW	Tempered Glass	180	No Option	3/4" NPT
ALC-7BC2-3NNW-NGN	2,900	24	121	CW	Tempered Glass	360	No Option	3/4" NPT
ALC-7AC2-3NNW-NGN	2,900	24	121	CW	Tempered Glass	180	No Option	3/4" NPT
100-277 VAC, 120-250 VDC Model with Adjustable Bracket								
ALC-7BC2-9NBW-NGN	8,600	66	130	CW	Tempered Glass	360	No Option	Stainless Steel Adjustable Bracket
ALC-7AC2-9NBW-NGN	8,400	66	127	CW	Tempered Glass	180	No Option	Stainless Steel Adjustable Bracket
ALC-7BC2-7NBW-NGN	7,000	52	135	CW	Tempered Glass	360	No Option	Stainless Steel Adjustable Bracket
ALC-7AC2-7NBW-NGN	6,800	52	131	CW	Tempered Glass	180	No Option	Stainless Steel Adjustable Bracket
ALC-7BC2-6NBW-NGN	5,400	40	135	CW	Tempered Glass	360	No Option	Stainless Steel Adjustable Bracket
ALC-7AC2-6NBW-NGN	5,300	40	133	CW	Tempered Glass	180	No Option	Stainless Steel Adjustable Bracket
ALC-7BC2-4NBW-NGN	4,000	30	133	CW	Tempered Glass	360	No Option	Stainless Steel Adjustable Bracket
ALC-7AC2-4NBW-NGN	3,900	30	130	CW	Tempered Glass	180	No Option	Stainless Steel Adjustable Bracket
ALC-7BC2-3NBW-NGN	2,900	24	121	CW	Tempered Glass	360	No Option	Stainless Steel Adjustable Bracket
ALC-7AC2-3NBW-NGN	2,900	24	121	CW	Tempered Glass	180	No Option	Stainless Steel Adjustable Bracket

See ordering chart for additional options.

**DISCLAIMER.** All product information provided is, to the best of Dialight's knowledge, accurate as of the date of publication. When ordering, refer to [www.dialight.com](http://www.dialight.com) for current versions of: (a) relevant product documentation (including the relevant product data sheets); (b) Dialight terms and conditions of sale; and, (c) the relevant product warranty. To the extent that any contract is deemed formed between Dialight and the purchaser of Dialight products and/or an end-user, versions of documents available at [www.dialight.com](http://www.dialight.com) as at the date of sale shall be the versions incorporated therein. In the event of any discrepancy between this document or information provided at [www.dialight.com](http://www.dialight.com), the latter shall prevail.

# SafeSite® LED Area Light

## 347/480 VAC

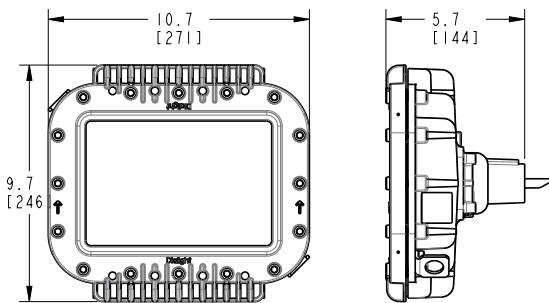


### Certifications & Ratings\*

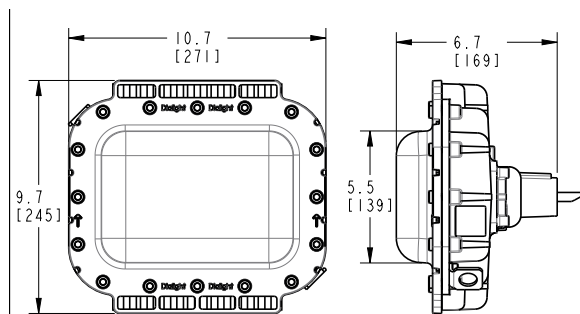
- 5 year warranty
- UL 1598/A, UL 844
- L70 > 100,000h @ 25°C
- Class I, Div. 1, Groups B, C, D
- Class I, Div. 2, Groups A, B, C, D
- Class II, Div. 1, Groups E, F, G
- Class III, Div. 1 & 2
- CSA C22.2 No. 137
- CSA C22.2 No. 250
- IP66 / 67
- NEMA 4X

\*ETL listed

### Tempered Glass Lens



### Polycarbonate Lens



Dimensions in inches [mm]

### Mechanical Information:

<b>Fixture weight:</b>	10 lb (4.5 kg) - Polycarbonate lens 12 lb (5.5 kg) - Tempered glass lens
Wall mount models:	15 lb (6.8 kg) - Polycarbonate lens 18 lb (8.2 kg) - Tempered glass lens
45° wall mount models:	14 lb (6.4 kg) - Polycarbonate lens 17 lb (7.7 kg) - Tempered glass lens
45° stanchion mount:	15 lb (6.8 kg) - Polycarbonate lens 18 lb (8.2 kg) - Tempered glass lens
90° stanchion mount:	16 lb (7.2 kg) - Polycarbonate lens 19 lb (8.6 kg) - Tempered glass lens
Class I, Div. 1 model:	15 lb (6.8 kg)

**Shipping weight:** Add 2 lb (0.91 kg) to weights above

**Impact rating:** IK10 - Polycarbonate lens  
IK07 - Tempered glass lens

**Cabling:** 10' STOOV 1.02mm 18 AWG

### Electrical Specifications:

**Operating voltage:** 347/480 VAC

**Total system power consumption:** See table

**Operating temperature:** -40°F to +149°F (-40°C to +65°C)

**EMC:** FCC Title 47, Subpart B, Section 15, Class A device  
RF Immunity 20V/m 80MHz-1GHz.

**Transient protection:** 6 kV, 2 Ohm line-line and line-ground

**Harmonics:** IEC 61000-3-2, Class C

**THD:** < 20%

**Power factor:** > 0.9

### Construction:

**Housing:** Copper-free aluminum

**Finish:** Superior dual coat finish  
- Sealed polyester topcoat  
- Epoxy primer

**Lens:** Tempered glass

### Photometric Information:

**CRI:** 75

**CCT:** 5000K (cool white)

**Optics:** 360°  
180° forward throw for 45° mounting

All values typical unless otherwise stated (tolerance +/- 10%)

### Temperature Ratings

Ambient Temperature Range T4A	Ambient Temperature Range T5
-40°F to +149°F (-40°C to +65°C)	-40°F to +113°F (-40°C to +45°C)

**WARNING - INSTALLATION & SECONDARY RETENTION.** Use of any Dialight products without proper installation (including secondary retention / netting) and periodic inspections could cause severe injury or death. Dialight recommends that all installations should use secondary retention / netting (appropriate to the installation environment) where applicable. It is the exclusive responsibility of the contractor, installer and/or end-user to: (a) determine the suitability of the product for its intended application; and, (b) ensure that the product is safely installed (with secondary retention / netting where appropriate) and in compliance with all applicable laws and regulations. To the extent permissible under applicable laws, Dialight disclaims all liability for personal injury and/or other damage resulting from any dislodgment or other dislocation of its products.



# SafeSite® LED Area Light

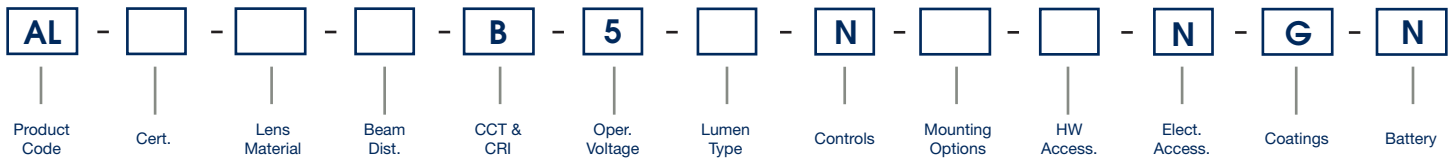
## 347/480 VAC



Project Information	
Part Number:	
Project:	
Fixture Type:	Date:

Specifications

### Ordering Information



#### Product Code

AL Area Light

#### Certification

- C Class I Div. 1 Groups C, D  
Class II Div. 1 Groups E, F, G  
CSA 22.2 No. 137
- D UL 844 Class I Div. 2  
CSA 22.2 No. 137 - M81
- F UL 844 Class II Div. 1, 2  
Class I Div. 2  
CSA 22.2 No. 137 - M81
- P Class I Div. 1 Groups B, C, D  
Class II Div. 1 Groups E, F, G  
CSA 22.2 No. 137

#### Lens Material

- 5 Polycarbonate - Diffused
- 7 Tempered Glass - Clear

#### Beam Distribution

- A 180°
- B 360°

#### CCT & CRI

- B Cool White 5000K - 70 CRI

#### Operating Voltage

- 5 347/480 VAC

#### Lumen Type

- 2 2,200 Lumens
- 4 4,000 Lumens
- 5 5,000 Lumens
- 6 6,000 Lumens
- 7 7,200 Lumens

\*For lumen output see page 22

#### Controls

- N No Options

#### Mounting Options

- Retro-fit Adapter
- Universal Mounting Adapter (UMA)
- B Swivel Bracket, Locking 0° - 90°  
316 Stainless Steel
- N 3/4" NPT Pendant
- A Appleton Mercmaster III
- C Crouse-Hinds - Champ
- G GE Filtr-Gard
- H Thomas & Betts Hazlux
- K Killark Certilite & Certilite V
- M Appleton Mercmaster II
- P Holophane Petrolux II and III
- F Ceiling Mount
- S 45° Stanchion Mount
- T 90° Stanchion Mount (NPT)
- U UMA - Mounting Hub
- V 0° Wall Mount
- W 45° Wall Mount
- Y 34mm Conveyor Mount

#### Hardware Accessories

- N For Mounting Options - A, C, F, G, H, K, M, S, U, V, W, Y (individual wire leads are terminated in adapter housing)
- W 10 ft (3 meter) Power Cable Mounting Options - B, N

#### Electrical Accessories

- N No Option

#### Coatings

- G Gray (RAL 7040)

#### Battery

- N No Option

#### Notes

- 1) When using "UMA" or "Retro-fit" mounting options, Hardware Accessories = N.
- 2) When ordering Certification option C or P:
  - Lens Material = 7 - Glass - Clear
  - Mounting Option = N - 3/4" NPT or B - Swivel Bracket, Locking 0° - 90° 316 Stainless Steel
  - Hardware Accessories = W 10 ft (3 meter) Power Cable for Mounting Options - B, N
- 3) Lumen outputs shown are for Tempered Glass lens, 360° optic. For additional options please see page 22.

DISCLAIMER. All product information provided is, to the best of Dialight's knowledge, accurate as of the date of publication. When ordering, refer to [www.dialight.com](http://www.dialight.com) for current versions of: (a) relevant product documentation (including the relevant product data sheets); (b) Dialight terms and conditions of sale; and, (c) the relevant product warranty. To the extent that any contract is deemed formed between Dialight and the purchaser of Dialight products and/or an end-user, versions of documents available at [www.dialight.com](http://www.dialight.com) as at the date of sale shall be the versions incorporated therein. In the event of any discrepancy between this document or information provided at [www.dialight.com](http://www.dialight.com), the latter shall prevail.

# Ordering Information

## SafeSite® LED Area Light - 347/480 VAC



347/480 VAC Model								
Part Number	Initial Fixture Lumens	Wattage	lm/W	CCT	Lens	Beam Distribution	Controls Option	Mounting
ALD-7BB5-7NNW-NGN	7,200	68	106	CW	Tempered Glass	360°	No Option	3/4" NPT
ALD-5BB5-7NNW-NGN	7,000	68	103	CW	Polycarbonate Diffused	360°	No Option	3/4" NPT
ALD-7AB5-7NNW-NGN	7,200	68	106	CW	Tempered Glass	180°	No Option	3/4" NPT
ALD-5AB5-7NNW-NGN	7,000	68	103	CW	Polycarbonate Diffused	180°	No Option	3/4" NPT
ALD-7BB5-6NNW-NGN	6,000	58	103	CW	Tempered Glass	360°	No Option	3/4" NPT
ALD-5BB5-6NNW-NGN	5,700	58	98	CW	Polycarbonate Diffused	360°	No Option	3/4" NPT
ALD-7AB5-6NNW-NGN	6,000	58	103	CW	Tempered Glass	180°	No Option	3/4" NPT
ALD-5AB5-6NNW-NGN	6,000	58	103	CW	Polycarbonate Diffused	180°	No Option	3/4" NPT
ALD-7BB5-4NNW-NGN	4,000	38	105	CW	Tempered Glass	360°	No Option	3/4" NPT
ALD-5BB5-4NNW-NGN	3,800	38	100	CW	Polycarbonate Diffused	360°	No Option	3/4" NPT
ALD-7AB5-4NNW-NGN	4,000	38	105	CW	Tempered Glass	180°	No Option	3/4" NPT
ALD-5AB5-4NNW-NGN	3,800	38	100	CW	Polycarbonate Diffused	180°	No Option	3/4" NPT
100-277 VAC, 120-250 VDC Model with Retro-fit Adapters - Crouse Hinds								
ALD-7BB5-6NCN-NGN	6,000	58	103	CW	Tempered Glass	360°	No Option	Retro-fit: Crouse Hinds
ALD-5BB5-6NCN-NGN	6,000	58	103	CW	Polycarbonate Diffused	360°	No Option	Retro-fit: Crouse Hinds
ALD-7AB5-6NCN-NGN	6,000	58	103	CW	Tempered Glass	180°	No Option	Retro-fit: Crouse Hinds
ALD-5AB5-6NCN-NGN	6,000	58	103	CW	Polycarbonate Diffused	180°	No Option	Retro-fit: Crouse Hinds

See ordering chart for additional options.

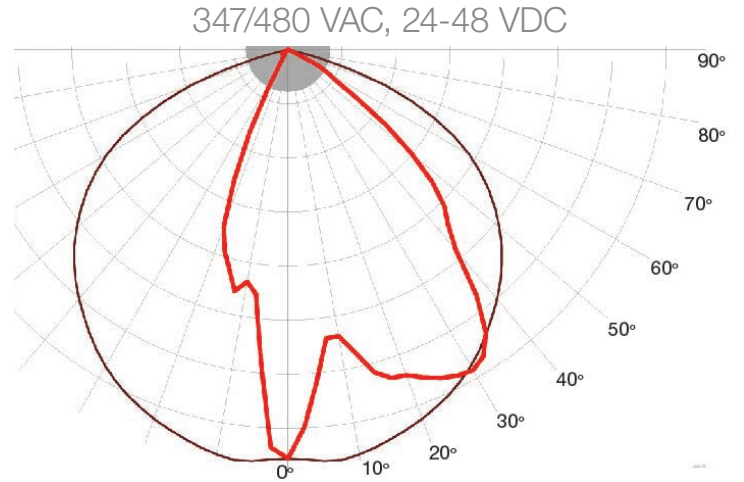
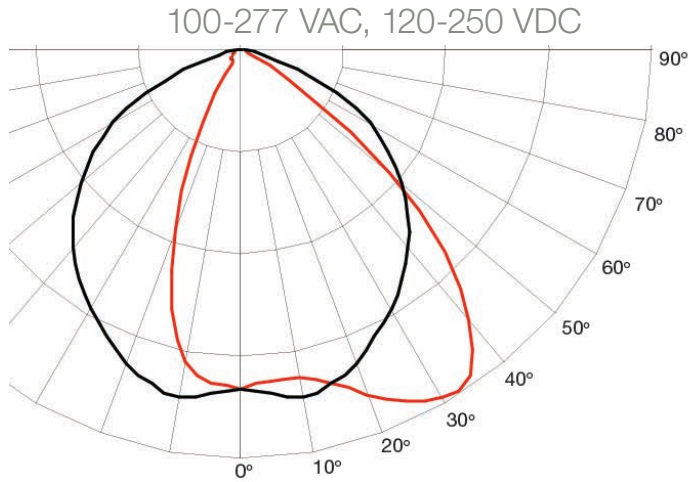
**DISCLAIMER.** All product information provided is, to the best of Dialight's knowledge, accurate as of the date of publication. When ordering, refer to [www.dialight.com](http://www.dialight.com) for current versions of: (a) relevant product documentation (including the relevant product data sheets); (b) Dialight terms and conditions of sale; and, (c) the relevant product warranty. To the extent that any contract is deemed formed between Dialight and the purchaser of Dialight products and/or an end-user, versions of documents available at [www.dialight.com](http://www.dialight.com) as at the date of sale shall be the versions incorporated therein. In the event of any discrepancy between this document or information provided at [www.dialight.com](http://www.dialight.com), the latter shall prevail.

# SafeSite® LED Area Light

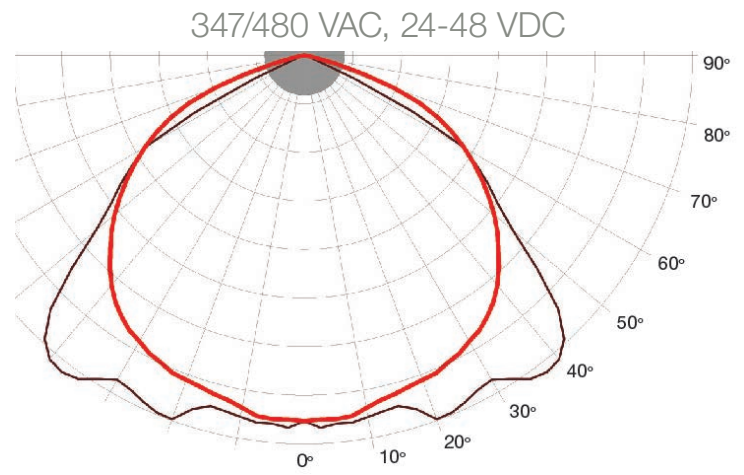
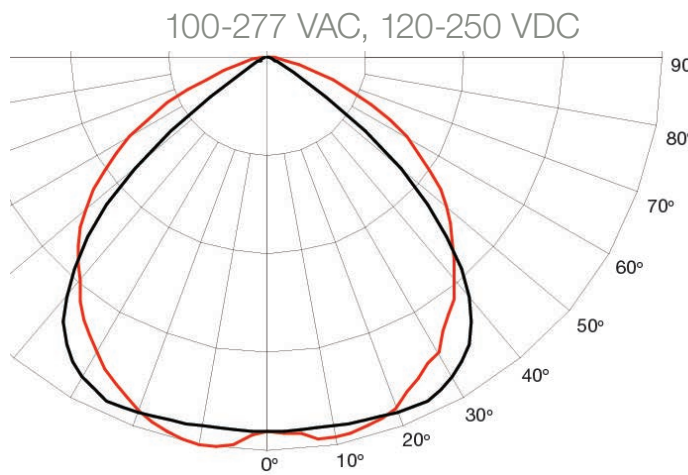
## Beam Distributions

█ = 0°  
█ = 90°

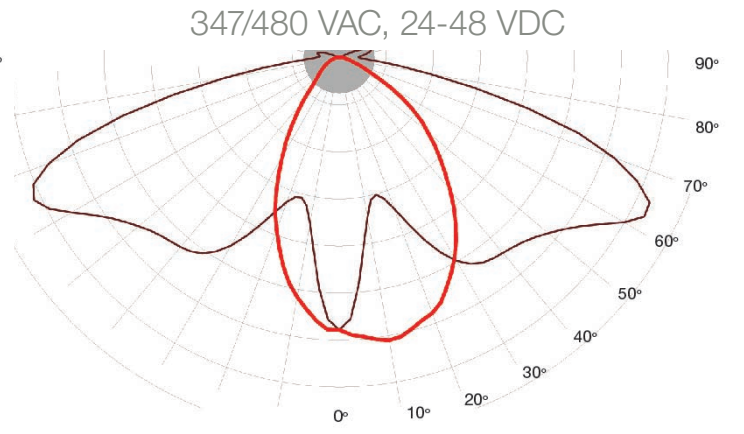
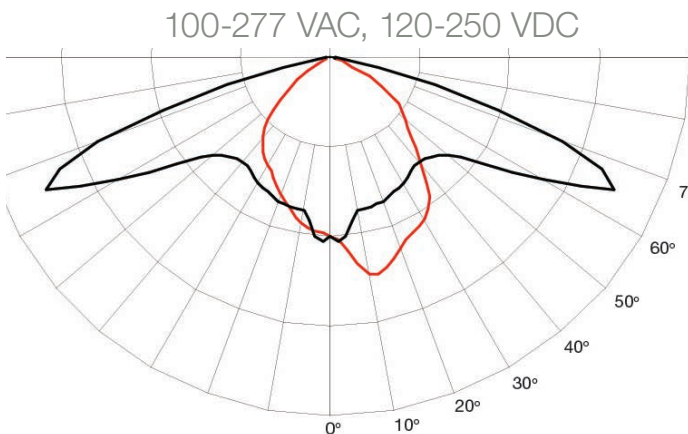
### 180° Beam Angle



### 360° Beam Angle



### Wide Beam Angle



**DISCLAIMER.** All product information provided is, to the best of Dialight's knowledge, accurate as of the date of publication. When ordering, refer to [www.dialight.com](http://www.dialight.com) for current versions of: (a) relevant product documentation (including the relevant product data sheets); (b) Dialight terms and conditions of sale; and, (c) the relevant product warranty. To the extent that any contract is deemed formed between Dialight and the purchaser of Dialight products and/or an end-user, versions of documents available at [www.dialight.com](http://www.dialight.com) as at the date of sale shall be the versions incorporated therein. In the event of any discrepancy between this document or information provided at [www.dialight.com](http://www.dialight.com), the latter shall prevail.

# SafeSite® LED Area Light

## Lumen Tables

100-277 VAC, 120-250 VDC									
Output Family	Beam Distribution	Lens	Wattage	Lumens 5000 CCT	5000 CCT lm/W	Lumens 4000 CCT	4000 CCT lm/W	Lumens 2700 CCT	2700 CCT lm/W
9,000	360°	Tempered Glass	66	9000	136	8800	134	8200	124
		Class I, Div 1 Glass		8600	131	8400	128	7900	120
		Polycarbonate		8300	127	8100	123	7600	115
	180°	Tempered Glass		8800	134	8600	131	8000	121
		Class I, Div 1 Glass		8400	128	8200	125	7700	117
		Polycarbonate		8100	124	7900	120	7400	112
7,300	360°	Tempered Glass	52	7300	140	7100	138	6700	129
		Class I, Div 1 Glass		7000	135	6800	132	6400	123
		Polycarbonate		6700	131	6500	126	6100	117
	180°	Tempered Glass		7100	138	6900	134	6500	125
		Class I, Div 1 Glass		6800	132	6600	128	6200	119
		Polycarbonate		6600	128	6400	124	6000	115
	Wide	Tempered Glass		7300	114	7100	112	6700	105
		Class I, Div 1 Glass		7000	110	6800	107	6400	100
		Polycarbonate		6700	106	6500	103	6100	95
5,700	360°	Tempered Glass	40	5700	143	5500	140	5200	130
		Class I, Div 1 Glass		5400	137	5200	132	4900	123
		Polycarbonate		5300	133	5100	130	4800	120
	180°	Tempered Glass		5500	140	5300	135	5000	125
		Class I, Div 1 Glass		5300	134	5100	130	4800	120
		Polycarbonate		5100	130	4900	125	4600	115
4,200	360°	Tempered Glass	30	4200	140	4100	137	3800	127
		Class I, Div 1 Glass		4000	134	3900	131	3600	120
		Polycarbonate		3900	130	3800	127	3900	130
	180°	Tempered Glass		4100	137	4000	134	4100	137
		Class I, Div 1 Glass		3900	132	3800	127	3900	130
		Polycarbonate		3800	127	3700	124	3400	113
3,100	360°	Tempered Glass	24	3100	129	3000	127	2800	117
		Class I, Div 1 Glass		2900	124	2900	121	2600	108
		Polycarbonate		2800	120	2700	114	2500	104
	180°	Tempered Glass		3000	127	2900	123	2700	113
		Class I, Div 1 Glass		2900	121	2800	118	2600	108
		Polycarbonate		2800	118	2700	114	2500	104

All values typical unless otherwise stated (tolerance +/- 10%)  
 For lighting layouts, please find IES files at [www.dialight.com](http://www.dialight.com)

**DISCLAIMER.** All product information provided is, to the best of Dialight’s knowledge, accurate as of the date of publication. When ordering, refer to [www.dialight.com](http://www.dialight.com) for current versions of: (a) relevant product documentation (including the relevant product data sheets); (b) Dialight terms and conditions of sale; and, (c) the relevant product warranty. To the extent that any contract is deemed formed between Dialight and the purchaser of Dialight products and/or an end-user, versions of documents available at [www.dialight.com](http://www.dialight.com) as at the date of sale shall be the versions incorporated therein. In the event of any discrepancy between this document or information provided at [www.dialight.com](http://www.dialight.com), the latter shall prevail.

# SafeSite® LED Area Light

## Lumen Tables

347/480 VAC							
Output Family	Beam Distribution	Lens	Wattage	Lumens 5000 CCT	5000 CCT lm/W	Lumens 4000 CCT	4000 CCT lm/W
7,250	360°	Tempered Glass	68	7200	107	7100	104
		Class I, Div 1 Glass		6900	102	6800	100
		Polycarbonate		6900	102	6800	100
	180°	Tempered Glass		7200	107	7100	104
		Class I, Div 1 Glass		6900	102	6800	100
		Polycarbonate		6900	102	6800	100
6,000	360°	Tempered Glass	58	6000	103	5800	101
		Class I, Div 1 Glass		5700	99	5600	97
		Polycarbonate		5700	99	5600	97
	180°	Tempered Glass		6000	103	5800	101
		Class I, Div 1 Glass		5700	99	5600	97
		Polycarbonate		5700	99	5600	97
5,000	360°	Tempered Glass	47	5000	106	4900	104
		Class I, Div 1 Glass		4800	102	4700	100
		Polycarbonate		4800	102	4700	100
	180°	Tempered Glass		5000	106	4900	104
		Class I, Div 1 Glass		4800	106	4700	100
		Polycarbonate		4800	102	4700	100
4,100	Wide	Polycarbonate	55	4100	75	4000	73
4,000	360°	Tempered Glass	38	4000	105	3900	103
		Class I, Div 1 Glass		3800	101	3700	99
		Polycarbonate		3800	101	3700	99
	180°	Tempered Glass		4000	105	3900	103
		Class I, Div 1 Glass		3800	101	3700	99
		Polycarbonate		3800	101	3700	99
2,200	360°	Tempered Glass	21	2200	105	2200	105
		Class I, Div 1 Glass		2200	105	2200	105
		Polycarbonate		2200	105	2200	105
	180°	Tempered Glass		2200	105	2200	105
		Class I, Div 1 Glass		2200	105	2200	105
		Polycarbonate		2200	105	2200	105

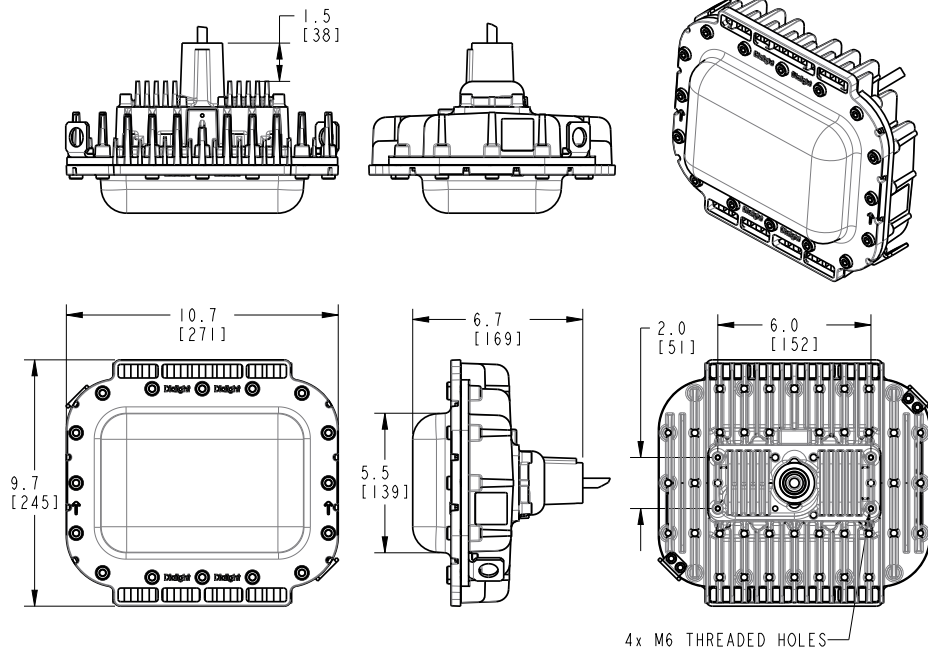
All values typical unless otherwise stated (tolerance +/- 10%)  
 For lighting layouts, please find IES files at [www.dialight.com](http://www.dialight.com)

**DISCLAIMER.** All product information provided is, to the best of Dialight's knowledge, accurate as of the date of publication. When ordering, refer to [www.dialight.com](http://www.dialight.com) for current versions of: (a) relevant product documentation (including the relevant product data sheets); (b) Dialight terms and conditions of sale; and, (c) the relevant product warranty. To the extent that any contract is deemed formed between Dialight and the purchaser of Dialight products and/or an end-user, versions of documents available at [www.dialight.com](http://www.dialight.com) as at the date of sale shall be the versions incorporated therein. In the event of any discrepancy between this document or information provided at [www.dialight.com](http://www.dialight.com), the latter shall prevail.

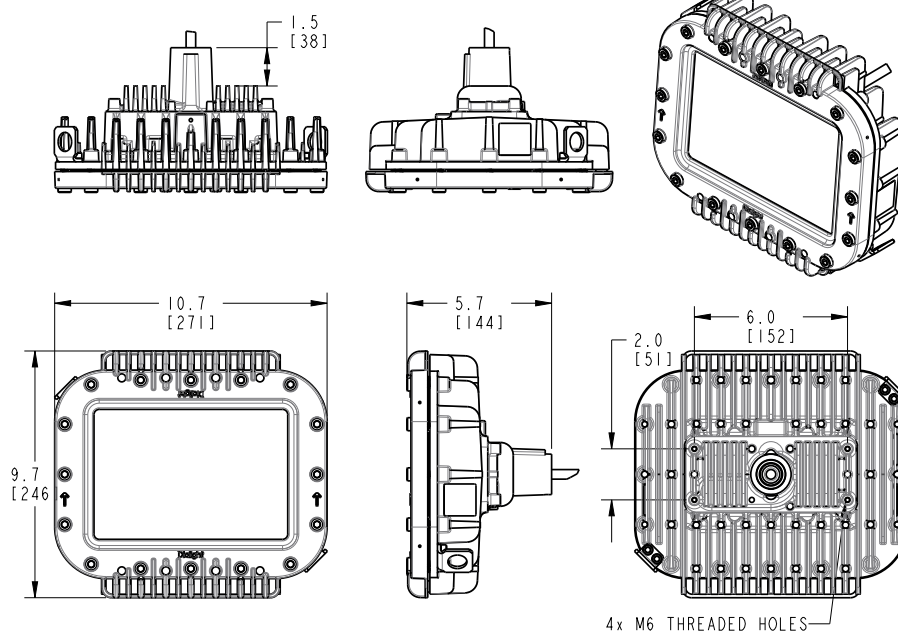
# SafeSite® LED Area Light

## Dimensional Drawings

Polycarbonate Lens - Option 5



Tempered Glass Lens - Option 7



**DISCLAIMER.** All product information provided is, to the best of Dialight's knowledge, accurate as of the date of publication. When ordering, refer to [www.dialight.com](http://www.dialight.com) for current versions of: (a) relevant product documentation (including the relevant product data sheets); (b) Dialight terms and conditions of sale; and, (c) the relevant product warranty. To the extent that any contract is deemed formed between Dialight and the purchaser of Dialight products and/or an end-user, versions of documents available at [www.dialight.com](http://www.dialight.com) as at the date of sale shall be the versions incorporated therein. In the event of any discrepancy between this document or information provided at [www.dialight.com](http://www.dialight.com), the latter shall prevail.



# SafeSite® LED Area Light

## Accessories

### Area Lights with Universal Mounting Adapter & Brackets Sold Separately



UMA Area Light  
ALx-xxxx-xxUx-xxN



Stanchion 45°  
HZXS45



Wall 45°  
HZXW45



Wall 0°  
HZXW01



Conveyor  
HZXC34



Ceiling  
HZXFM



Stanchion 90°  
HZXS90 / HZXT90



Certified to: UL 50E • CSA C22.2 No. 94.2-07

#### HZXSTAN100S

- 1.00" (1.315" Pole OD) Slip-fit stanchion mount

#### HZXSTAN125S

- 1.25" (1.660" Pole OD) Slip-fit stanchion mount

#### HZXSTAN150S

- 1.50" (1.900" Pole OD) Slip-fit stanchion mount

#### HZXSTAN200S

- 2.00" (2.375" Pole OD) Slip-fit stanchion mount



#### HZXSTAN100T

- 1.00" (1.315" Pole OD) NPT threaded stanchion mount

#### HZXSTAN125T

- 1.25" (1.660" Pole OD) NPT threaded stanchion mount

#### HZXSTAN150T

- 1.50" (1.900" Pole OD) NPT threaded stanchion mount

#### HZXSTAN200T

- 2.00" (2.375" Pole OD) NPT threaded stanchion mount



#### HZXW3

- 316 stainless steel bracket

#### HZXW7

- Aluminum bracket



#### HZXW4

- 316 stainless steel bracket with pipe clamp

#### HZXW8

- Aluminum bracket with pipe clamp



Certified to: UL 50E • UL 1203

ISA 12.12.01 • CSA C22.2 No. 94.2-07

#### HBXC1

- 0.75" NPT Ceiling mount



Certified to: UL 50E • CSA C22.2 No. 94.2-07

#### HZXJB075

- 0.75" Ceiling / Wall / Pole mount junction box

#### HZXJB100

- 1.00" Ceiling / Wall / Pole mount junction box

#### HZXJB125

- 1.25" Ceiling / Wall / Pole mount junction box

#### HZXJB150

- 1.50" Ceiling / Wall / Pole mount junction box



#### HZXSAFECBLS

- Safety cable kit

**DISCLAIMER.** All product information provided is, to the best of Dialight's knowledge, accurate as of the date of publication. When ordering, refer to [www.dialight.com](http://www.dialight.com) for current versions of: (a) relevant product documentation (including the relevant product data sheets); (b) Dialight terms and conditions of sale; and, (c) the relevant product warranty. To the extent that any contract is deemed formed between Dialight and the purchaser of Dialight products and/or an end-user, versions of documents available at [www.dialight.com](http://www.dialight.com) as at the date of sale shall be the versions incorporated therein. In the event of any discrepancy between this document or information provided at [www.dialight.com](http://www.dialight.com), the latter shall prevail.

# SafeSite® LED Area Light

## Retro-fit Options

Retro-fit adapters can be factory installed. See product ordering information for details.

- Eaton's Crouse-Hinds – Champ®
- GE Lighting Solutions – Filtr-Gard™
- Holophane Petrolux® II, III
- Thomas & Betts Hazlux®
- Appleton® Mercmaster III
- Appleton® Mercmaster II
- Killark® Certilite® & Certilite® V

\*Petrolux adapter available as a standalonne accessory only



Eaton's Crouse-Hinds – Champ® - HZXTHCH				
Pendant	Ceiling	Wall	Stanchion	Quad Mount
APM2	CM2	TWM2	JM5	QM25
APM3	CM3	TWM3	PM5	
HPM2				



GE Lighting Solutions – Filtr-Gard™ - HZXTHGE				
Pendant	Ceiling	Wall	Stanchion	Quad Mount
3P	3F	3C	3W	5S
4P	4F		4W	6S
				5J, 6J



Holophane® Petrolux II, III - HZXTHP3				
Pendant	Universal	Stanchion	Ceiling	Wall
PD	UN	SA	CD	WL
GH		ST	CE	W
P		A	B, C, D	

Please reference spec sheet at [www.dialight.com](http://www.dialight.com) for all dimensional drawings of retro-fit options.

**DISCLAIMER.** All product information provided is, to the best of Dialight's knowledge, accurate as of the date of publication. When ordering, refer to [www.dialight.com](http://www.dialight.com) for current versions of: (a) relevant product documentation (including the relevant product data sheets); (b) Dialight terms and conditions of sale; and, (c) the relevant product warranty. To the extent that any contract is deemed formed between Dialight and the purchaser of Dialight products and/or an end-user, versions of documents available at [www.dialight.com](http://www.dialight.com) as at the date of sale shall be the versions incorporated therein. In the event of any discrepancy between this document or information provided at [www.dialight.com](http://www.dialight.com), the latter shall prevail.

# SafeSite® LED Area Light

## Retro-fit Options



Thomas & Betts Hazlux® - HZXTHTB				
Pendant	Pendant Cone	Flexible Pendant	Ceiling	Wall
VP2	VA2	VF2	VC2	VB2
VP3	VA3	VF3	VC3	VB3
Wall	25° Angle Stanchion	25° Angle Stanchion	Straight Stanchion	Straight Stanchion
VB2-VIB	VS4	VS4-VIB	VL4	VL4-VIB
VB3-VIB	VS5	VS5-VIB	VL5	VL5-VIB



Appleton® Mercmaster III - HZXTHAP			
Pendant	Ceiling	Wall	Stanchion
KPA-75, 100	KPC-75	KPWB-75	KPS-125
KPAF-75, 100	KPC-100	KPWB-100	KPS-150
KPCH-75, 100			KPST-125
			KPST-150



Appleton® Mercmaster II - HZXTHM2			
Pendant	Ceiling	Wall	Stanchion
LPA-75	LPC-75	LPWB-75	LPS-125
LPA-100	LPC-100	LPWB-100	LPS-150



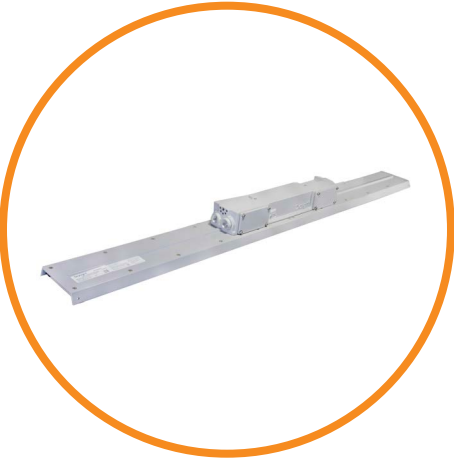
Killark® Certilite® & Certilite® V - HZXTHKL			
Pendant	Ceiling	Wall	Stanchion
VMA2B & VMA-2	VMX2B & VMX-2	VMB2B & VMB-2	VMD4B
VMA3B & VMA-3	VMX3B & VMX-3	VMB3B & VMB-3	VMD5B
VMC2B & VMC-2	VMX6B, 7B, 8B, 9B		VMS5B
VMC3B & VMC-3			
VMF2B, 3B			

Please reference spec sheet at [www.dialight.com](http://www.dialight.com) for all dimensional drawings of retro-fit options.

**DISCLAIMER.** All product information provided is, to the best of Dialight's knowledge, accurate as of the date of publication. When ordering, refer to [www.dialight.com](http://www.dialight.com) for current versions of: (a) relevant product documentation (including the relevant product data sheets); (b) Dialight terms and conditions of sale; and, (c) the relevant product warranty. To the extent that any contract is deemed formed between Dialight and the purchaser of Dialight products and/or an end-user, versions of documents available at [www.dialight.com](http://www.dialight.com) as at the date of sale shall be the versions incorporated therein. In the event of any discrepancy between this document or information provided at [www.dialight.com](http://www.dialight.com), the latter shall prevail.

# SafeSite® LED Linear - UL 844

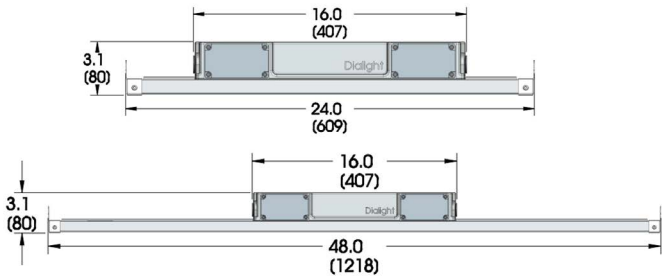
Low Profile - Class I, Div. 2 / Class II - 10 year warranty



### Certifications & Ratings

- UL 1598/A<sup>1</sup>
- UL 844<sup>1</sup>
- CSA C22.2 No. 137<sup>1</sup>
- CSA C22.2 No. 250<sup>1</sup>
- IP66 / 67
- Class I, Div. 2 Groups A, B, C & D
- Class I, Zone 2 Group IIC
- Class II, Div. 1 Groups E, F & G
- Class II, Div. 2 Groups F & G
- Class III
- NEMA 4X
- 2000 PSI hose-down rating<sup>2</sup>
- DLC Premium & Standard

<sup>1</sup>ETL listed  
<sup>2</sup>Internally tested



Dimensions in inches [mm]

Temperature Ratings	
Ambient Temperature Range T4A Temperature Code	Ambient Temperature Range T5 Temperature Code
-40°F to +149°F (-40°C to +65°C)	-40°F to +113°F (-40°C to +45°C)

### Mechanical Information:

- Fixture weight:** 4' - 11 lb (5.0 kg)  
2' - 8 lb (3.6 kg)
- Shipping weight:** 4' - 12 lb (5.4 kg)  
2' - 9 lb (4.1 kg)
- Mounting:** (4) 3/4" NPT openings  
Optional swivel bracket - LPXW4  
Optional low profile bracket - LPXW4LP

### Variable Dimming:

- Variable dimming control:** 0-10 VDC
- Dimming range:** 10 VDC = 100% light output  
0 VDC = 5% light output

### Electrical Specifications:

- Operating voltage:** 100-277 VAC, 50/60Hz  
120-250 VDC
- Power consumption:** See ordering information
- Operating temp:** -40°F to +149°F (-40°C to +65°C)
- EMC:** FCC Title 47, Subpart B, Section 15, Class A device. RF Immunity; 10V/m, 80MHz-1GHz
- Surge protection:** EN 61000-4-5  
6 kV line-to-line  
6 kV line-to-ground
- Harmonics:** IEC 61000-3-2 Class C  
ATHD<20%
- Power factor:** > 0.9

### Construction:

- Finish:** Superior dual coat finish  
- Sealed polyester topcoat  
- Chemical resistant epoxy primer
- Lens:** Polycarbonate

### Photometric Information:

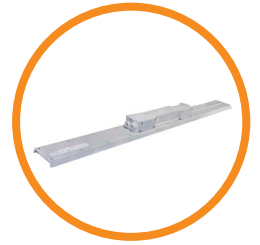
- CRI:** 80
- CCT:** 5000K (cool white)  
4000K (neutral white)
- IES files:** Available at [www.dialight.com](http://www.dialight.com)

All values typical unless otherwise stated (tolerance +/- 10%)

**WARNING - INSTALLATION & SECONDARY RETENTION.** Use of any Dialight products without proper installation (including secondary retention / netting) and periodic inspections could cause severe injury or death. Dialight recommends that all installations should use secondary retention / netting (appropriate to the installation environment) where applicable. It is the exclusive responsibility of the contractor, installer and/or end-user to: (a) determine the suitability of the product for its intended application; and, (b) ensure that the product is safely installed (with secondary retention / netting where appropriate) and in compliance with all applicable laws and regulations. To the extent permissible under applicable laws, Dialight disclaims all liability for personal injury and/or other damage resulting from any dislodgment or other dislocation of its products.

# Ordering Information

SafeSite® LED Linear - Low Profile - UL 844 - 10 year warranty



Classifications: CID2 A, B, C, D • CIID1 E, F, G • CIID2 F, G • CIII

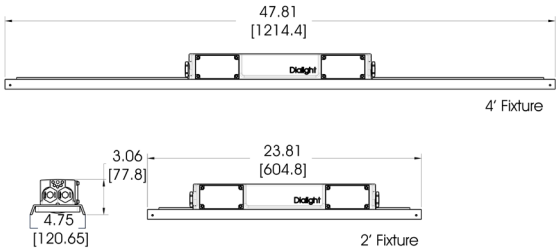
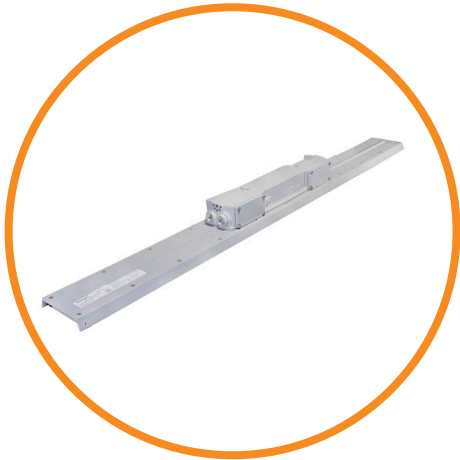
Part Number (x = CCT placeholder)	Length	CRI	Wattage	Fixture Lumens		lm/W		Voltage	Lens	Beam Distribution
				5000K	4000K	5000K	4000K			
Class I, Div. 2 Models										
LKD-4M(x)2-9DNN-NGN	4'	80	70	9,600	9,300	137	132	100-277 VAC / 120-250 VDC	Clear Polycarbonate	Medium
LKD-5M(x)2-9DNN-NGN	4'	80	70	8,800	8,500	125	121	100-277 VAC / 120-250 VDC	Diffused Polycarbonate	Medium
LKD-4W(x)2-9DNN-NGN	4'	80	70	9,600	9,300	137	132	100-277 VAC / 120-250 VDC	Clear Polycarbonate	Wide
LKD-4M(x)2-7DNN-NGN	4'	80	52	7,250	6,950	139	134	100-277 VAC / 120-250 VDC	Clear Polycarbonate	Medium
LKD-5M(x)2-7DNN-NGN	4'	80	52	6,550	6,250	126	120	100-277 VAC / 120-250 VDC	Diffused Polycarbonate	Medium
LKD-4W(x)2-7DNN-NGN	4'	80	52	7,250	6,950	139	134	100-277 VAC / 120-250 VDC	Clear Polycarbonate	Wide
LJD-4M(x)2-5DNN-NGN	2'	80	37	4,750	4,500	128	122	100-277 VAC / 120-250 VDC	Clear Polycarbonate	Medium
LJD-5M(x)2-5DNN-NGN	2'	80	37	4,450	4,200	120	114	100-277 VAC / 120-250 VDC	Diffused Polycarbonate	Medium
LJD-4W(x)2-5DNN-NGN	2'	80	37	4,750	4,500	128	122	100-277 VAC / 120-250 VDC	Clear Polycarbonate	Wide
Class II, Div. 1 Models										
LKF-4M(x)2-9DNN-NGN	4'	80	70	9,600	9,300	137	132	100-277 VAC / 120-250 VDC	Clear Polycarbonate	Medium
LKF-5M(x)2-9DNN-NGN	4'	80	70	8,800	8,500	125	121	100-277 VAC / 120-250 VDC	Diffused Polycarbonate	Medium
LKF-4W(x)2-9DNN-NGN	4'	80	70	9,600	9,300	137	132	100-277 VAC / 120-250 VDC	Clear Polycarbonate	Wide
LKF-4M(x)2-7DNN-NGN	4'	80	52	7,250	6,950	139	134	100-277 VAC / 120-250 VDC	Clear Polycarbonate	Medium
LKF-5M(x)2-7DNN-NGN	4'	80	52	6,550	6,250	126	120	100-277 VAC / 120-250 VDC	Diffused Polycarbonate	Medium
LKF-4W(x)2-7DNN-NGN	4'	80	52	7,250	6,950	139	134	100-277 VAC / 120-250 VDC	Clear Polycarbonate	Wide
LJF-4M(x)2-5DNN-NGN	2'	80	37	4,750	4,500	128	122	100-277 VAC / 120-250 VDC	Clear Polycarbonate	Medium
LJF-5M(x)2-5DNN-NGN	2'	80	37	4,450	4,200	120	114	100-277 VAC / 120-250 VDC	Diffused Polycarbonate	Medium
LJF-4W(x)2-5DNN-NGN	2'	80	37	4,750	4,500	128	122	100-277 VAC / 120-250 VDC	Clear Polycarbonate	Wide

All values typical unless otherwise stated (tolerance +/- 10%)  
 CCT placeholders - C=5000K (cool white), N= 4000K (neutral white)  
 For additional ordering options, please consult factory.

**DISCLAIMER.** All product information provided is, to the best of Dialight's knowledge, accurate as of the date of publication. When ordering, refer to [www.dialight.com](http://www.dialight.com) for current versions of: (a) relevant product documentation (including the relevant product data sheets); (b) Dialight terms and conditions of sale; and, (c) the relevant product warranty. To the extent that any contract is deemed formed between Dialight and the purchaser of Dialight products and/or an end-user, versions of documents available at [www.dialight.com](http://www.dialight.com) as at the date of sale shall be the versions incorporated therein. In the event of any discrepancy between this document or information provided at [www.dialight.com](http://www.dialight.com), the latter shall prevail.

# SafeSite® LED Linear - Low Profile

## Technical Specifications - 5 year warranty



Dimensions in inches [mm]

### Temperature Ratings

Ambient Temperature Range T4A Temperature Code	Ambient Temperature Range T5 Temperature Code
-40°F to +149°F (-40°C to +65°C)	-40°F to +113°F (-40°C to +45°C)

### Certifications & Ratings

- UL 1598/A
- UL 844
- CSA C22.2 No. 137
- CSA C22.2 No. 250
- IP66 / 67
- Class I, Div. 2 Groups A, B, C & D
- Class II, Div. 1 Groups E, F & G
- Class II, Div. 2 Groups F & G
- Class III
- NEMA 4X

### Mechanical Information:

- Fixture weight:** 4' - 10 lb (4.5 kg)  
2' - 7 lb (3.2 kg)
- Shipping weight:** 4' - 11 lb (5.0 kg)  
2' - 8 lb (3.6 kg)
- Mounting:** (4) 3/4" NPT openings  
Optional swivel bracket - LPXW4  
Optional low profile bracket - LPXW4LP

### Electrical Specifications:

- Operating voltage:** 100-277 VAC, 50/60Hz
- Power consumption:** See ordering information
- Operating temp:** -40°F to +149°F (-40°C to +65°C)
- Harmonics:** IEC 61000-3-2
- Noise Requirements/EMC:** FCC Title 47, Subpart B, Section 15, Class A device. RF Immunity; 10V/m, 80MHz-1GHz
- Surge protection:** EN 61000-4-5  
4 kV line-to-line  
4 kV line-to-ground
- THD:** < 20%
- Power factor:** > 0.9

### Construction:

- Finish:** Superior dual coat finish  
- Sealed polyester topcoat  
- Chemical resistant epoxy primer
- Lens:** Polycarbonate

### Photometric Information:

- CRI:** 80
- CCT:** 5000K (cool white)  
4000K (neutral white)
- IES files:** Available at [www.dialight.com](http://www.dialight.com)

All values typical unless otherwise stated (tolerance +/- 10%)

**WARNING - INSTALLATION & SECONDARY RETENTION.** Use of any Dialight products without proper installation (including secondary retention / netting) and periodic inspections could cause severe injury or death. Dialight recommends that all installations should use secondary retention / netting (appropriate to the installation environment) where applicable. It is the exclusive responsibility of the contractor, installer and/or end-user to: (a) determine the suitability of the product for its intended application; and, (b) ensure that the product is safely installed (with secondary retention / netting where appropriate) and in compliance with all applicable laws and regulations. To the extent permissible under applicable laws, Dialight disclaims all liability for personal injury and/or other damage resulting from any dislodgment or other dislocation of its products.



# SafeSite® LED Linear - Low Profile

## Ordering Information & Accessories - 5 year warranty

Classifications: CID2 A, B, C, D • CIID1 E, F, G • CIID2 F, G • CIII

Part Number	Length	CRI	CID1	CID2	CIID1	CIID2	CIII	Fixture Lumens	Watt	lm/W	Voltage	CCT	Lens	Beam Distribution
<b>Class I, Div. 2 Models</b>														
LPD3C4M2P	4'	80		•		•	•	7,900	60	132	100-277 VAC	5000K (cool white)	Clear	Medium
LPD3C4H2W	4'	80		•		•	•	7,100	60	118	100-277 VAC	5000K (cool white)	Diffused	Medium
LPD3N4M2P	4'	80		•		•	•	7,300	60	122	100-277 VAC	4000K (neutral white)	Clear	Medium
LPD3N4H2W	4'	80		•		•	•	6,700	60	112	100-277 VAC	4000K (neutral white)	Diffused	Medium
LPD3C4D2P	2'	80		•		•	•	3,850	29	133	100-277 VAC	5000K (cool white)	Clear	Medium
LPD3C4B2W	2'	80		•		•	•	3,500	29	121	100-277 VAC	5000K (cool white)	Diffused	Medium
LPD3N4D2P	2'	80		•		•	•	3,600	29	124	100-277 VAC	4000K (neutral white)	Clear	Medium
LPD3N4B2W	2'	80		•		•	•	3,300	29	114	100-277 VAC	4000K (neutral white)	Diffused	Medium
<b>Class II, Div. I Models</b>														
LPF3C4M2P	4'	80			•	•	•	7,900	60	132	100-277 VAC	5000K (cool white)	Clear	Medium
LPF3C4H2W	4'	80			•	•	•	7,100	60	118	100-277 VAC	5000K (cool white)	Diffused	Medium
LPF3N4M2P	4'	80			•	•	•	7,300	60	122	100-277 VAC	4000K (neutral white)	Clear	Medium
LPF3N4H2W	4'	80			•	•	•	6,700	60	112	100-277 VAC	4000K (neutral white)	Diffused	Medium
LPF3C4D2P	2'	80			•	•	•	3,850	29	133	100-277 VAC	5000K (cool white)	Clear	Medium
LPF3C4B2W	2'	80			•	•	•	3,500	29	121	100-277 VAC	5000K (cool white)	Diffused	Medium
LPF3N4D2P	2'	80			•	•	•	3,600	29	124	100-277 VAC	4000K (neutral white)	Clear	Medium
LPF3N4B2W	2'	80			•	•	•	3,300	29	114	100-277 VAC	4000K (neutral white)	Diffused	Medium

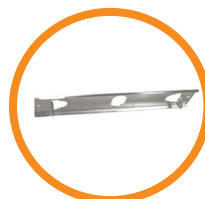
All values typical unless otherwise stated, Lumen values are typical (tolerance +/- 10%).

Part numbers listed in the table above are cool white. For neutral white model, replace the 5th character with N. Ex. LPD3C4M2P becomes LPD3N4M2P



### LPXW4

- 316 Stainless steel mounting bracket
- Can be angled at 0°, 30°, 45°, 60° & 90°



### LPXW4LP

- 316 Stainless steel low profile mounting bracket
- Can be angled at 0° and 15°



### LTXSAFEKIT

- Stainless steel safety cable kit for secondary retention



### LTXENDCAPKIT

- 304 Stainless steel chain mount and secondary retention bracket

**DISCLAIMER.** All product information provided is, to the best of Dialight's knowledge, accurate as of the date of publication. When ordering, refer to [www.dialight.com](http://www.dialight.com) for current versions of: (a) relevant product documentation (including the relevant product data sheets); (b) Dialight terms and conditions of sale; and, (c) the relevant product warranty. To the extent that any contract is deemed formed between Dialight and the purchaser of Dialight products and/or an end-user, versions of documents available at [www.dialight.com](http://www.dialight.com) as at the date of sale shall be the versions incorporated therein. In the event of any discrepancy between this document or information provided at [www.dialight.com](http://www.dialight.com), the latter shall prevail.

# SafeSite® LED Linear - UL 844

Top Conduit - Class I, Div. 2 / Class II - 10 year warranty

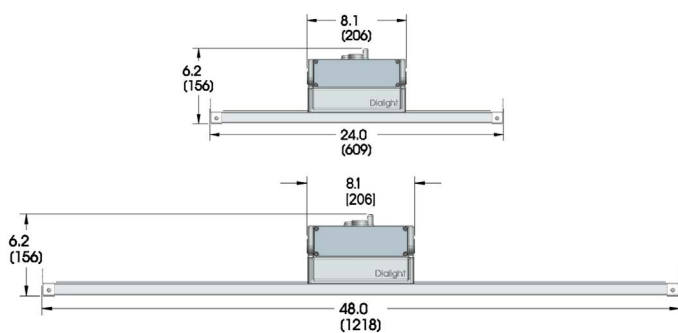


## Certifications & Ratings

- UL 1598/A<sup>1</sup>
- UL 844<sup>1</sup>
- CSA C22.2 No. 137<sup>1</sup>
- CSA C22.2 No. 250<sup>1</sup>
- IP66
- Class I, Div. 2 Groups A, B, C & D
- Class I, Zone 2 Group IIC
- Class II, Div. 1 Groups E, F & G
- Class II, Div. 2 Groups F & G
- Class III
- NEMA 4X
- 2000 PSI hose-down rating<sup>2</sup>
- DLC Premium & Standard

<sup>1</sup>ETL listed

<sup>2</sup>Internally tested



Dimensions in inches [mm]

## Temperature Ratings

Ambient Temperature Range T4A Temperature Code	Ambient Temperature Range T5 Temperature Code
-40°F to +149°F (-40°C to +65°C)	-40°F to +113°F (-40°C to +45°C)

## Mechanical Information:

- Fixture weight:** 4' - 11 lb (5.0 kg)  
2' - 8 lb (3.6 kg)
- Shipping weight:** 4' - 12 lb (5.4 kg)  
2' - 9 lb (4.1 kg)
- Mounting:** (3) 3/4" NPT openings  
Optional swivel bracket - LTXW4  
Optional low profile bracket - LTXW4LP

## Variable Dimming:

- Variable dimming control:** 0-10 VDC
- Dimming range:** 10 VDC = 100% light output  
0 VDC = 5% light output

## Electrical Specifications:

- Operating voltage:** 100-277 VAC, 50/60Hz  
120-250 VDC
- Power consumption:** See ordering information
- Operating temp:** -40°F to +149°F (-40°C to +65°C)
- EMC:** FCC Title 47, Subpart B, Section 15,  
Class A device. RF Immunity; 10V/m,  
80MHz-1GHz
- Surge protection:** EN 61000-4-5  
6 kV line-to-line  
6 kV line-to-ground
- Harmonics:** IEC 61000-3-2 Class C  
ATHD<20%
- Power factor:** > 0.9

## Construction:

- Finish:** Superior dual coat finish  
- Sealed polyester topcoat  
- Chemical resistant epoxy primer
- Lens:** Polycarbonate

## Photometric Information:

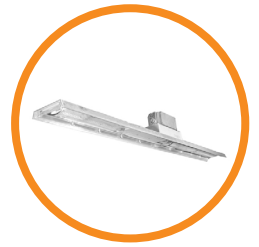
- CRI:** 80
- CCT:** 5000K (cool white)  
4000K (neutral white)
- IES files:** Available at [www.dialight.com](http://www.dialight.com)

All values typical unless otherwise stated (tolerance +/- 10%)

**WARNING - INSTALLATION & SECONDARY RETENTION.** Use of any Dialight products without proper installation (including secondary retention / netting) and periodic inspections could cause severe injury or death. Dialight recommends that all installations should use secondary retention / netting (appropriate to the installation environment) where applicable. It is the exclusive responsibility of the contractor, installer and/or end-user to: (a) determine the suitability of the product for its intended application; and, (b) ensure that the product is safely installed (with secondary retention / netting where appropriate) and in compliance with all applicable laws and regulations. To the extent permissible under applicable laws, Dialight disclaims all liability for personal injury and/or other damage resulting from any dislodgment or other dislocation of its products.

# Ordering Information

## SafeSite® LED Linear - Top Conduit - UL 844 - 10 year warranty



Classifications: CID2 A, B, C, D • CIID1 E, F, G • CIID2 F, G • CIII

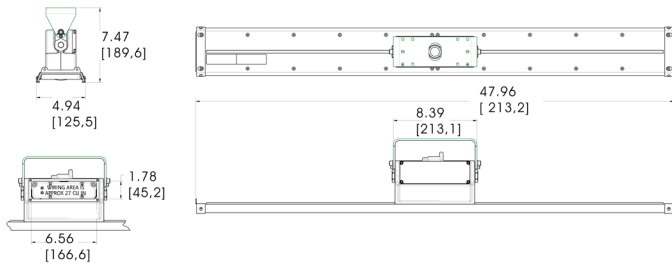
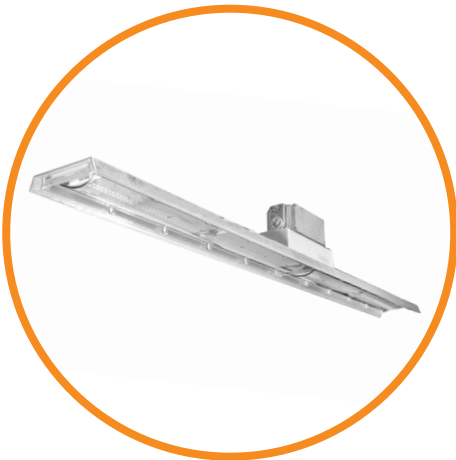
Part Number (x = CCT placeholder)	Length	CRI	Wattage	Fixture Lumens		lm/W		Voltage	Lens	Beam Distribution
				5000K	4000K	5000K	4000K			
Class I, Div. 2 Models										
LHD-4M(x)2-9DNN-NGN	4'	80	70	9,600	9,300	137	132	100-277 VAC / 120-250 VDC	Clear Polycarbonate	Medium
LHD-5M(x)2-9DNN-NGN	4'	80	70	8,800	8,500	125	121	100-277 VAC / 120-250 VDC	Diffused Polycarbonate	Medium
LHD-4W(x)2-9DNN-NGN	4'	80	70	9,600	9,300	137	132	100-277 VAC / 120-250 VDC	Clear Polycarbonate	Wide
LHD-4M(x)2-7DNN-NGN	4'	80	52	7,250	6,950	139	134	100-277 VAC / 120-250 VDC	Clear Polycarbonate	Medium
LHD-5M(x)2-7DNN-NGN	4'	80	52	6,550	6,250	126	120	100-277 VAC / 120-250 VDC	Diffused Polycarbonate	Medium
LHD-4W(x)2-7DNN-NGN	4'	80	52	7,250	6,950	139	134	100-277 VAC / 120-250 VDC	Clear Polycarbonate	Wide
LGD-4M(x)2-5DNN-NGN	2'	80	37	4,750	4,500	128	122	100-277 VAC / 120-250 VDC	Clear Polycarbonate	Medium
LGD-5M(x)2-5DNN-NGN	2'	80	37	4,450	4,200	120	114	100-277 VAC / 120-250 VDC	Diffused Polycarbonate	Medium
LGD-4W(x)2-5DNN-NGN	2'	80	37	4,750	4,500	128	122	100-277 VAC / 120-250 VDC	Clear Polycarbonate	Wide
Class II, Div. 1 Models										
LHF-4M(x)2-9DNN-NGN	4'	80	70	9,600	9,300	137	132	100-277 VAC / 120-250 VDC	Clear Polycarbonate	Medium
LHF-5M(x)2-9DNN-NGN	4'	80	70	8,800	8,500	125	121	100-277 VAC / 120-250 VDC	Diffused Polycarbonate	Medium
LHF-4W(x)2-9DNN-NGN	4'	80	70	9,600	9,300	137	132	100-277 VAC / 120-250 VDC	Clear Polycarbonate	Wide
LHF-4M(x)2-7DNN-NGN	4'	80	52	7,250	6,950	139	134	100-277 VAC / 120-250 VDC	Clear Polycarbonate	Medium
LHF-5M(x)2-7DNN-NGN	4'	80	52	6,550	6,250	126	120	100-277 VAC / 120-250 VDC	Diffused Polycarbonate	Medium
LHF-4W(x)2-7DNN-NGN	4'	80	52	7,250	6,950	139	134	100-277 VAC / 120-250 VDC	Clear Polycarbonate	Wide
LGF-4M(x)2-5DNN-NGN	2'	80	37	4,750	4,500	128	122	100-277 VAC / 120-250 VDC	Clear Polycarbonate	Medium
LGF-5M(x)2-5DNN-NGN	2'	80	37	4,450	4,200	120	114	100-277 VAC / 120-250 VDC	Diffused Polycarbonate	Medium
LGF-4W(x)2-5DNN-NGN	2'	80	37	4,750	4,500	128	122	100-277 VAC / 120-250 VDC	Clear Polycarbonate	Wide

All values typical unless otherwise stated (tolerance +/- 10%)  
 CCT placeholders - C=5000K (cool white), N= 4000K (neutral white)  
 For additional ordering options, please consult factory.

**DISCLAIMER.** All product information provided is, to the best of Dialight's knowledge, accurate as of the date of publication. When ordering, refer to [www.dialight.com](http://www.dialight.com) for current versions of: (a) relevant product documentation (including the relevant product data sheets); (b) Dialight terms and conditions of sale; and, (c) the relevant product warranty. To the extent that any contract is deemed formed between Dialight and the purchaser of Dialight products and/or an end-user, versions of documents available at [www.dialight.com](http://www.dialight.com) as at the date of sale shall be the versions incorporated therein. In the event of any discrepancy between this document or information provided at [www.dialight.com](http://www.dialight.com), the latter shall prevail.

# SafeSite® LED Linear - Top Conduit

## Technical Specifications - 5 year warranty



Dimensions in inches [mm]

### Temperature Ratings

Ambient Temperature Range T4A Temperature Code	Ambient Temperature Range T5 Temperature Code
-40°F to +149°F (-40°C to +65°C)	-40°F to +113°F (-40°C to +45°C)

### Certifications & Ratings

- UL 1598/A
- UL 844
- CSA C22.2 No. 137
- CSA C22.2 No. 250
- IP66
- Class I, Div. 2 Groups A, B, C & D
- Class II, Div. 1 Groups E, F & G
- Class II, Div. 2 Groups F & G
- Class III
- NEMA 4X

### Mechanical Information:

- Fixture weight:** 4' - 10 lb (4.5 kg)  
2' - 7 lb (3.2 kg)
- Shipping weight:** 4' - 11 lb (5.0 kg)  
2' - 8 lb (3.6 kg)
- Mounting:** (3) 3/4" NPT openings  
Optional swivel bracket - LTXW4  
Optional low profile bracket - LTXW4LP

### Electrical Specifications:

- Operating voltage:** 100-277 VAC, 50/60Hz
- Power consumption:** See ordering information
- Operating temp:** -40°F to +149°F (-40°C to +65°C)
- Harmonics:** IEC 61000-3-2
- Noise Requirements/EMC:** FCC Title 47, Subpart B, Section 15, Class A device. RF Immunity; 10V/m, 80MHz-1GHz
- Surge protection:** EN 61000-4-5  
4 kV line-to-line  
4 kV line-to-ground
- THD:** < 20%
- Power factor:** > 0.9

### Construction:

- Finish:** Superior dual coat finish  
- Sealed polyester topcoat  
- Chemical resistant epoxy primer
- Lens:** Polycarbonate

### Photometric Information:

- CRI:** 80
- CCT:** 5000K (cool white)  
4000K (neutral white)
- IES files:** Available at [www.dialight.com](http://www.dialight.com)

All values typical unless otherwise stated (tolerance +/- 10%)

**WARNING - INSTALLATION & SECONDARY RETENTION.** Use of any Dialight products without proper installation (including secondary retention / netting) and periodic inspections could cause severe injury or death. Dialight recommends that all installations should use secondary retention / netting (appropriate to the installation environment) where applicable. It is the exclusive responsibility of the contractor, installer and/or end-user to: (a) determine the suitability of the product for its intended application; and, (b) ensure that the product is safely installed (with secondary retention / netting where appropriate) and in compliance with all applicable laws and regulations. To the extent permissible under applicable laws, Dialight disclaims all liability for personal injury and/or other damage resulting from any dislodgment or other dislocation of its products.

# SafeSite® LED Linear - Top Conduit

## Ordering Information & Accessories - 5 year warranty

Classifications: CID2 A, B, C, D • CIID1 E, F, G • CIID2 F, G • CIII

Part Number	Length	CRI	CID1	CID2	CIID1	CIID2	CIII	Fixture Lumens	Watt	lm/W	Voltage	CCT	Lens	Beam Distribution
<b>Class I, Div. 2 Models</b>														
LTD3C4M2P	4'	80		•		•	•	7,900	60	132	100-277 VAC	5000K (cool white)	Clear	Medium
LTD3C4H2W	4'	80		•		•	•	7,100	60	118	100-277 VAC	5000K (cool white)	Diffused	Medium
LTD3N4M2P	4'	80		•		•	•	7,300	60	122	100-277 VAC	4000K (neutral white)	Clear	Medium
LTD3N4H2W	4'	80		•		•	•	6,700	60	112	100-277 VAC	4000K (neutral white)	Diffused	Medium
LTD3C4D2P	2'	80		•		•	•	3,850	29	133	100-277 VAC	5000K (cool white)	Clear	Medium
LTD3C4B2W	2'	80		•		•	•	3,500	29	121	100-277 VAC	5000K (cool white)	Diffused	Medium
LTD3N4D2P	2'	80		•		•	•	3,600	29	124	100-277 VAC	4000K (neutral white)	Clear	Medium
LTD3N4B2W	2'	80		•		•	•	3,300	29	114	100-277 VAC	4000K (neutral white)	Diffused	Medium
<b>Class II, Div. I Models</b>														
LTF3C4M2P	4'	80			•	•	•	7,900	60	132	100-277 VAC	5000K (cool white)	Clear	Medium
LTF3C4H2W	4'	80			•	•	•	7,100	60	118	100-277 VAC	5000K (cool white)	Diffused	Medium
LTF3N4M2P	4'	80			•	•	•	7,300	60	122	100-277 VAC	4000K (neutral white)	Clear	Medium
LTF3N4H2W	4'	80			•	•	•	6,700	60	112	100-277 VAC	4000K (neutral white)	Diffused	Medium
LTF3C4D2P	2'	80			•	•	•	3,850	29	133	100-277 VAC	5000K (cool white)	Clear	Medium
LTF3C4B2W	2'	80			•	•	•	3,500	29	121	100-277 VAC	5000K (cool white)	Diffused	Medium
LTF3N4D2P	2'	80			•	•	•	3,600	29	124	100-277 VAC	4000K (neutral white)	Clear	Medium
LTF3N4B2W	2'	80			•	•	•	3,300	29	114	100-277 VAC	4000K (neutral white)	Diffused	Medium

All values typical unless otherwise stated, Lumen values are typical (tolerance +/- 10%).

Part numbers listed in the table above are cool white. For neutral white model, replace the 5th character with N. Ex. LTD3C4D2P becomes LTD3N4D2P



### LTXW4

- Mounting bracket
- Can be angled at 0°, 30°, 45°, 60° & 90°



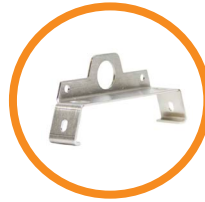
### LTXW4LP

- Mounting bracket
- Can be angled at 0° and 15°



### LTXSAFEKIT

- Stainless steel safety cable kit for secondary retention



### LTXENDCAPKIT

- 304 Stainless steel chain mount and secondary retention bracket



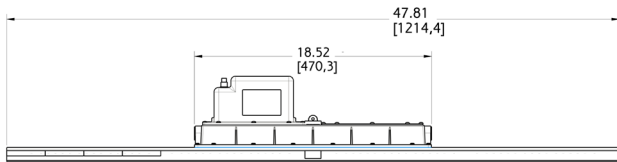
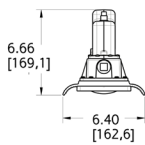
### LTXLSXW4

- Retrofit bracket adapter used to connect LTM model fixtures to an existing LSXW4 bracket

**DISCLAIMER.** All product information provided is, to the best of Dialight's knowledge, accurate as of the date of publication. When ordering, refer to [www.dialight.com](http://www.dialight.com) for current versions of: (a) relevant product documentation (including the relevant product data sheets); (b) Dialight terms and conditions of sale; and, (c) the relevant product warranty. To the extent that any contract is deemed formed between Dialight and the purchaser of Dialight products and/or an end-user, versions of documents available at [www.dialight.com](http://www.dialight.com) as at the date of sale shall be the versions incorporated therein. In the event of any discrepancy between this document or information provided at [www.dialight.com](http://www.dialight.com), the latter shall prevail.

# SafeSite® LED Linear - Battery Backup

## Technical Specifications - 5 year warranty



Dimensions in inches [mm]

### Temperature Ratings

Ambient Temperature Range T4A Temperature Code	Ambient Temperature Range T5 Temperature Code
-4°F to +149°F (-20°C to +65°C)	-4°F to +113°F (-20°C to +45°C)

### Certifications & Ratings

- UL 1598/A
- UL 844
- UL 924
- CSA C22.2 No. 137
- CSA C22.2 No. 250
- IP66
- Class I, Div. 2 Groups A, B, C & D
- Class II, Div. 1 Groups E, F & G
- Class II, Div. 2 Groups F & G
- Class III
- NEMA 4X

### Mechanical Information:

<b>Fixture weight:</b>	18 lb (8.2 kg)
<b>Shipping weight:</b>	21 lb (9.5 kg)
<b>Mounting:</b>	(1) Threaded 3/4" NPT side (2) Threaded 3/4" NPT ends

### Electrical Specifications:

<b>Operating voltage:</b>	120-277 VAC, 50/60Hz
<b>Power consumption:</b>	85W
<b>Operating temp:</b>	-4°F to +149°F (-20°C to +65°C)
<b>Battery:</b>	3.6V 10Ah NiMH
<b>Expected battery life*:</b>	3 years
<b>Battery duration*:</b>	> 3 hours
<b>Harmonics:</b>	IEC 61000-3-2
<b>Noise Requirements/EMC:</b>	FCC Title 47, Subpart B, Section 15, Class A device. RF Immunity; 10V/m, 80MHz-1GHz
<b>Surge protection:</b>	EN 61000-4-5 1 kV line-to-line 2 kV line-to-ground
<b>THD:</b>	< 20%
<b>Power factor:</b>	> 0.9

### Construction:

<b>Finish:</b>	Superior dual coat finish - Sealed polyester topcoat - Chemical resistant epoxy primer
<b>Lens:</b>	Polycarbonate

### Photometric Information:

<b>Light output in emergency mode:</b>	450 lumens
<b>CRI:</b>	75
<b>CCT:</b>	5000K (cool white)
<b>IES files:</b>	available at <a href="http://www.dialight.com">www.dialight.com</a>

All values typical unless otherwise stated (tolerance +/- 10%)

\* @ 25°C ambient

**WARNING - INSTALLATION & SECONDARY RETENTION.** Use of any Dialight products without proper installation (including secondary retention / netting) and periodic inspections could cause severe injury or death. Dialight recommends that all installations should use secondary retention / netting (appropriate to the installation environment) where applicable. It is the exclusive responsibility of the contractor, installer and/or end-user to: (a) determine the suitability of the product for its intended application; and, (b) ensure that the product is safely installed (with secondary retention / netting where appropriate) and in compliance with all applicable laws and regulations. To the extent permissible under applicable laws, Dialight disclaims all liability for personal injury and/or other damage resulting from any dislodgment or other dislocation of its products.



# SafeSite® LED Linear - Battery Backup

## Ordering Information & Accessories - 5 year warranty

Classifications: CID2 A, B, C, D • CIID1 E, F, G • CIID2 F, G • CIID1 • CIID2

This fixture is offered in sustained and maintained configurations.

Sustained has a single AC input and battery backup mode is entered upon any loss of power. Fixture cannot be turned off without entering battery backup mode. Maintained has two AC inputs. The fixture can be turned on and off via AC-1 and Fixture only enters battery backup mode when AC-2 is lost or low.

Part Number	Length	CRI	Type	CID2	CIID1	CIID2	CIII	Voltage	Lens	CCT	Fixture Lumens	Watt	lm/W	Beam Distribution
Class I, Div. 2 Models														
LSD3C4MEP	4'	75	Sustained	•				120-277 VAC	Clear	5000K (cool white)	7,000	85	82	Medium
LSD3C4MNP	4'	75	Maintained	•				120-277 VAC	Clear	5000K (cool white)	7,000	85	82	Medium
Class II Models														
LSF3C4MEP	4'	75	Sustained		•	•	•	120-277 VAC	Clear	5000K (cool white)	7,000	85	82	Medium
LSF3C4MNP	4'	75	Maintained		•	•	•	120-277 VAC	Clear	5000K (cool white)	7,000	85	82	Medium

All values typical unless otherwise stated, Lumen values are typical (tolerance +/- 10%). Part numbers listed in the above table are cool white. For neutral white models replace the 5th character with N. Ex. LSF3C4MEP becomes LSF3N4MEP



**LSXW4**

- Mounting bracket
- Can be angled at 0°, 30°, 45°, 60° & 90°



**LSXENDCAPKIT**

- Chain mount brackets



**HZXSAFEKIT**

- Safety cable kit

DISCLAIMER. All product information provided is, to the best of Dialight's knowledge, accurate as of the date of publication. When ordering, refer to [www.dialight.com](http://www.dialight.com) for current versions of: (a) relevant product documentation (including the relevant product data sheets); (b) Dialight terms and conditions of sale; and, (c) the relevant product warranty. To the extent that any contract is deemed formed between Dialight and the purchaser of Dialight products and/or an end-user, versions of documents available at [www.dialight.com](http://www.dialight.com) as at the date of sale shall be the versions incorporated therein. In the event of any discrepancy between this document or information provided at [www.dialight.com](http://www.dialight.com), the latter shall prevail.

# SafeSite® LED Linear - Class I, Div. 1

## Technical Specifications - 5 year warranty



### Certifications & Ratings

- UL1598
- UL844
- CSA C22.2 No. 137
- Class I, Div. 1 Groups C & D
- IP66
- NEMA 4X

### Mechanical Information:

- Fixture weight:** 4' - 26 lb (11.8 kg)  
2' - 17.5 lb (7.9 kg)
- Shipping weight:** 4' - 28 lb (12.7 kg)  
2' - 19.5 lb (8.8 kg)
- Mounting:** (1) Threaded 3/4" NPT side  
(2) Threaded 3/4" NPT ends

### Electrical Specifications:

- Operating voltage:** 100-277 VAC, 50/60Hz or 347/480 VAC, 50/60Hz
- Power consumption:** See ordering information
- Operating temp:** -40°F to +149°F (-40°C to +65°C)
- Harmonics:** IEC 61000-3-2
- Noise Requirements/EMC:** FCC Title 47, Subpart B, Section 15, Class A device. RF Immunity; 10V/m, 80MHz-1GHz
- Surge protection:** EN 61000-4-5  
4 kV line-to-line  
4 kV line-to-ground
- THD:** < 20%
- Power factor:** > 0.9

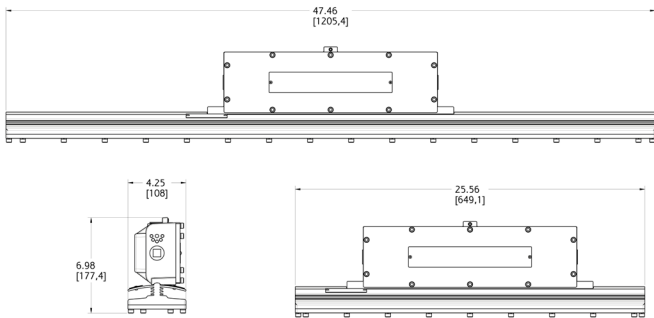
### Construction:

- Finish:** Superior dual coat finish  
- Sealed polyester topcoat  
- Chemical resistant epoxy primer
- Lens:** Tempered Glass

### Photometric Information:

- CRI:** 75
- CCT:** 5000K (cool white)  
400K (neutral white)
- IES files:** Available upon request

All values typical unless otherwise stated (tolerance +/- 10%)



Dimensions in inches [mm]

### Temperature Ratings

Ambient Temperature Range T4A Temperature Code	Ambient Temperature Range T5 Temperature Code
-40°F to +149°F (-40°C to +65°C)	-40°F to +113°F (-40°C to +45°C)

**WARNING - INSTALLATION & SECONDARY RETENTION.** Use of any Dialight products without proper installation (including secondary retention / netting) and periodic inspections could cause severe injury or death. Dialight recommends that all installations should use secondary retention / netting (appropriate to the installation environment) where applicable. It is the exclusive responsibility of the contractor, installer and/or end-user to: (a) determine the suitability of the product for its intended application; and, (b) ensure that the product is safely installed (with secondary retention / netting where appropriate) and in compliance with all applicable laws and regulations. To the extent permissible under applicable laws, Dialight disclaims all liability for personal injury and/or other damage resulting from any dislodgment or other dislocation of its products.

# SafeSite® LED Linear - Class I, Div. 1

## Ordering Information & Accessories - 5 year warranty

Classifications: CID1 C, D

Platform Part Number	Legacy Part Number	Length	CRI	Voltage	Lens	CCT	Fixture Lumens	Watt	lm/W	Beam Distribution
<b>CID1 - 100-277 VAC Models</b>										
LRC7MB27NNNNGN	LSC3C4M3GEX	4'	75	100-277 VAC	Tempered glass	5000K (cool white)	7,250	68	106	Medium
LSC7MB23NNNNGN	LSC3C4D3GEX	2'	75	100-277 VAC	Tempered glass	5000K (cool white)	3,600	34	106	Medium
<b>CID1 - 347/480 VAC Models</b>										
LRC7MB57NNNNGN	LSC3C5M3GEX	4'	75	347/480 VAC	Tempered glass	5000K (cool white)	7,250	100	72	Medium
LSC7MB53NNNNGN	LSC3C5D3GEX	2'	75	347/480 VAC	Tempered glass	5000K (cool white)	3,600	50	72	Medium

All values typical unless otherwise stated, Lumen values are typical (tolerance +/- 10%).

Part numbers listed in the table above are cool white. For neutral white, model replace the 5th character with **N**. Ex. LSC3C4D3GEX becomes LSC3N4D3GEX



### LSXW5

- Aluminum mounting bracket
- Can be angled at 0°, 30°, 45°, 60° & 90



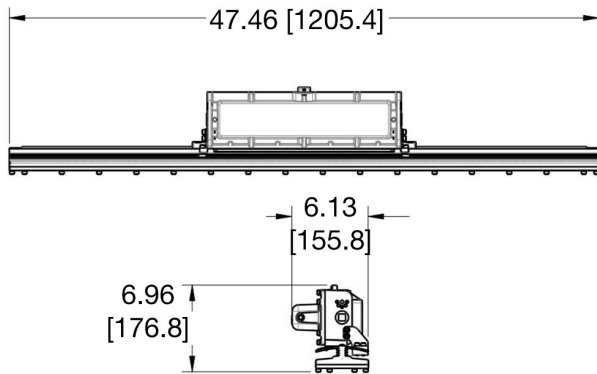
### HZXSAFEKIT

- Stainless steel safety cable kit

**DISCLAIMER.** All product information provided is, to the best of Dialight's knowledge, accurate as of the date of publication. When ordering, refer to [www.dialight.com](http://www.dialight.com) for current versions of: (a) relevant product documentation (including the relevant product data sheets); (b) Dialight terms and conditions of sale; and, (c) the relevant product warranty. To the extent that any contract is deemed formed between Dialight and the purchaser of Dialight products and/or an end-user, versions of documents available at [www.dialight.com](http://www.dialight.com) as at the date of sale shall be the versions incorporated therein. In the event of any discrepancy between this document or information provided at [www.dialight.com](http://www.dialight.com), the latter shall prevail.

# SafeSite® LED Linear - Battery Backup - Class I, Div. 1

## Technical Specifications - 5 year warranty



Dimensions in inches [mm]

### Temperature Ratings

Ambient Temperature Range T4A Temperature Code

-4°F to +149°F (-20°C to +65°C)

### Certifications & Ratings

- UL 1598/A
- UL 844
- CSA C22.2 No. 137
- CSA C22.2 No. 250
- Class I, Div. 1 Groups C & D
- Class I, Div. 2 Groups A, B, C & D
- IP66
- NEMA 4X

### Mechanical Information:

<b>Fixture weight:</b>	32 lb (14.5 kg)
<b>Shipping weight:</b>	35 lb (15.9 kg)
<b>Mounting:</b>	(1) Threaded 3/4" NPT side (2) Threaded 3/4" NPT ends

### Electrical Specifications:

<b>Operating voltage:</b>	120-277 VAC, 50/60Hz
<b>Power consumption:</b>	85W
<b>Operating temp:</b>	-4°F to +149°F (-20°C to +65°C)
<b>Battery:</b>	3.6V 10Ah NiMH
<b>Expected battery life*:</b>	3 years
<b>Lumen output in battery mode:</b>	500lm
<b>Battery duration*:</b>	> 3 hours
<b>Harmonics:</b>	IEC 61000-3-2
<b>Noise Requirements/EMC:</b>	FCC Title 47, Subpart B, Section 15, Class A device. RF Immunity; 10V/m, 80MHz-1GHz
<b>Surge protection:</b>	EN 61000-4-5 1 kV line-to-line 2 kV line-to-ground
<b>THD:</b>	< 20%
<b>Power factor:</b>	> 0.9
<b>Construction:</b>	
<b>Finish:</b>	Superior dual coat finish - Sealed polyester topcoat - Chemical resistant epoxy primer
<b>Lens:</b>	Tempered glass
<b>Photometric Information:</b>	
<b>CRI:</b>	75
<b>CCT:</b>	5000K (cool white)
<b>IES files:</b>	available at <a href="http://www.dialight.com">www.dialight.com</a>

All values typical unless otherwise stated (tolerance +/- 10%)

\* @ 25°C ambient

# SafeSite® LED Linear - Battery Backup - Class I, Div. 1

## Ordering Information & Accessories - 5 year warranty

Classifications: CID1 Groups C, D

Platform Part Number	Legacy Part Number	Length	CRI	Type	Voltage	Lens	CCT	Fixture Lumens	Watt	lm/W	Beam Distribution
Class I, Div. 1 Model											
LRC7MB27NNNNGE	LSC3C4MEGEX	4'	75	Sustained	120-277 VAC	Tempered Glass	5000K - CW	7,250	85	85	Medium

All values typical unless otherwise stated (tolerance +/- 10%).

Part numbers listed in the table above are cool white. For neutral white models, replace the 5th character with an **N**.



**LSXW5**

- Aluminum mounting bracket
- Can be angled at 0°, 30°, 45°, 60° & 90



**HZXSAFEKIT**

- Stainless steel safety cable kit

DISCLAIMER. All product information provided is, to the best of Dialight's knowledge, accurate as of the date of publication. When ordering, refer to [www.dialight.com](http://www.dialight.com) for current versions of: (a) relevant product documentation (including the relevant product data sheets); (b) Dialight terms and conditions of sale; and, (c) the relevant product warranty. To the extent that any contract is deemed formed between Dialight and the purchaser of Dialight products and/or an end-user, versions of documents available at [www.dialight.com](http://www.dialight.com) as at the date of sale shall be the versions incorporated therein. In the event of any discrepancy between this document or information provided at [www.dialight.com](http://www.dialight.com), the latter shall prevail.

# SafeSite® LED RTO Area Light - UL844

## Standard Models



### Certifications & Ratings

- Class I, Div 2 Groups A,B,C,D
- Class II, Div 1 Groups E,F,G
- Class II, Div 2 Groups E,F,G
- UL 844
- UL 1598
- UL 50/E
- IP66

### Mechanical Information:

**Fixture weight:** RTO0Wxx001: 2.5 lbs (1.13 kg)  
 RTO0Wxx005: 3.2 lbs (1.45 kg)  
 RTO0Wxx004: 0.8 lbs (0.36 kg)

**Shipping weight:** RTO0Wxx001: 3.0 lbs (1.36 kg)  
 RTO0Wxx005: 4.5 lbs (2.04 kg)  
 RTO0Wxx004: 1.4 lbs (0.64 kg)

**Mounting:**  
 Pendant Mount: 1" & 3/4" NPT reducer bi-directional  
 Ceiling Mount: 3/4" NPT 5-way surfac  
 Pendant Mount: 3/4" NPT threaded conduit

### Electrical Specifications:

**Operating Voltage:** 100-277 VAC, 50/60 Hz  
 12-48 VDC

**Total system power consumption:** See table

**Operating Temp:** -40°F to +133°F (-40°C to +55°C)

**Harmonics:** IEC 61000-3-2

**Noise requirement /EMC:** FCC Title 47, Subpart B, Section 15, class A device. RF Immunity; 10V/m, 80MHz-1GHz

**Transient protection:** 1 kV line to line  
 2 kV line to ground

**THD:** <20%

**Power Factor:** > 0.9

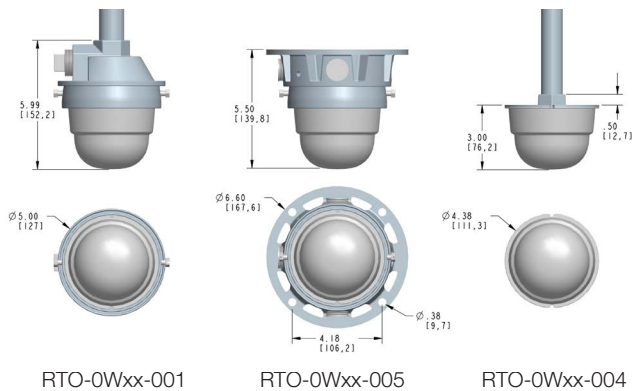
### Construction:

**Housing:** Copper free aluminum  
**Finish:** Superior dual coat finish  
 - Sealed polyester topcoat  
 - Chemical-resistant epoxy primer  
**Lens:** UV stabilized abrasion resistant polycarbonate

### Photometric Information:

**CRI:** 75  
**CCT:** 6000K (cool white)

All values typical unless otherwise stated (tolerance +/- 10%)



Dimensions in inches [mm]

### Temperature Ratings

Ambient Temperature Range T3C Temperature Code

-40°F to +133°F (-40°C to +55°C)

**WARNING - INSTALLATION & SECONDARY RETENTION.** Use of any Dialight products without proper installation (including secondary retention / netting) and periodic inspections could cause severe injury or death. Dialight recommends that all installations should use secondary retention / netting (appropriate to the installation environment) where applicable. It is the exclusive responsibility of the contractor, installer and/or end-user to: (a) determine the suitability of the product for its intended application; and, (b) ensure that the product is safely installed (with secondary retention / netting where appropriate) and in compliance with all applicable laws and regulations. To the extent permissible under applicable laws, Dialight disclaims all liability for personal injury and/or other damage resulting from any dislodgment or other dislocation of its products.



# SafeSite® LED RTO Area Light

## Ordering Information & Mounting Accessories

Classifications: CID2 A,B,C,D • CIID1 E,F,G • CIID2 E,F,D

Part Number	Type	CID2	CIID1	CIID2	Voltage	Lens	CCT	Fixture Lumens	Watt	LPW	Beam Distribution
Standard Models - 100-277 VAC											
RTODW17005	Ceiling mount with junction box		•	•	100-277 VAC	Polycarbonate	6000K (cool white)	800	8	100	Circular
RTODW17004	Pendant mount		•	•	100-277 VAC	Polycarbonate	6000K (cool white)	800	8	100	Circular
RTODW17001	Pendant mount with junction box		•	•	100-277 VAC	Polycarbonate	6000K (cool white)	800	8	100	Circular
RTO2W17005	Ceiling mount with junction box	•			100-277 VAC	Polycarbonate	6000K (cool white)	800	8	100	Circular
RTO2W17004	Pendant mount	•			100-277 VAC	Polycarbonate	6000K (cool white)	800	8	100	Circular
RTO2W17001	Pendant mount with junction box	•			100-277 VAC	Polycarbonate	6000K (cool white)	800	8	100	Circular
RTODW07005	Ceiling mount with junction box		•	•	100-277 VAC	Polycarbonate	6000K (cool white)	470	8	59	Circular
RTODW07004	Pendant mount		•	•	100-277 VAC	Polycarbonate	6000K (cool white)	470	8	59	Circular
RTODW07001	Pendant mount with junction box		•	•	100-277 VAC	Polycarbonate	6000K (cool white)	470	8	59	Circular
RTO2W07005	Ceiling mount with junction box	•			100-277 VAC	Polycarbonate	6000K (cool white)	470	8	59	Circular
RTO2W07004	Pendant mount	•			100-277 VAC	Polycarbonate	6000K (cool white)	470	8	59	Circular
RTO2W07001	Pendant mount with junction box	•			100-277 VAC	Polycarbonate	6000K (cool white)	470	8	59	Circular
Standard Models - 12-48 VDC											
RTODW18005	Ceiling mount with junction box		•	•	12-48 VDC	Polycarbonate	6000K (cool white)	800	8	100	Circular
RTODW18004	Pendant mount		•	•	12-48 VDC	Polycarbonate	6000K (cool white)	800	8	100	Circular
RTODW18001	Pendant mount with junction box		•	•	12-48 VDC	Polycarbonate	6000K (cool white)	800	8	100	Circular
RTO2W18005	Ceiling mount with junction box	•			12-48 VDC	Polycarbonate	6000K (cool white)	800	8	100	Circular
RTO2W18004	Pendant mount	•			12-48 VDC	Polycarbonate	6000K (cool white)	800	8	100	Circular
RTO2W18001	Pendant mount with junction box	•			12-48 VDC	Polycarbonate	6000K (cool white)	800	8	100	Circular
RTODW08005	Ceiling mount with junction box		•	•	12-48 VDC	Polycarbonate	6000K (cool white)	470	8	59	Circular
RTODW08004	Pendant mount		•	•	12-48 VDC	Polycarbonate	6000K (cool white)	470	8	59	Circular
RTODW08001	Pendant mount with junction box		•	•	12-48 VDC	Polycarbonate	6000K (cool white)	470	8	59	Circular
RTO2W08005	Ceiling mount with junction box	•			12-48 VDC	Polycarbonate	6000K (cool white)	470	8	59	Circular
RTO2W08004	Pendant mount	•			12-48 VDC	Polycarbonate	6000K (cool white)	470	8	59	Circular
RTO2W08001	Pendant mount with junction box	•			12-48 VDC	Polycarbonate	6000K (cool white)	470	8	59	Circular

All values typical unless otherwise stated (tolerance +/- 10%).



### Pendant Mount

- 3/4" NPT threaded conduit



### Pendant Mount with Junction Box

- 1" & 3/4" NPT reducer bidirectional mounting



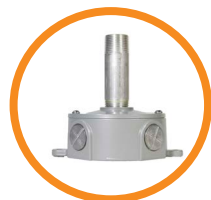
### Ceiling Mount with Junction Box

- 3/4" NPT 5-way surface mounting



### RTO1000

- Flush wall mount



### RTO1001

- Junction box wall mount

**DISCLAIMER.** All product information provided is, to the best of Dialight's knowledge, accurate as of the date of publication. When ordering, refer to [www.dialight.com](http://www.dialight.com) for current versions of: (a) relevant product documentation (including the relevant product data sheets); (b) Dialight terms and conditions of sale; and, (c) the relevant product warranty. To the extent that any contract is deemed formed between Dialight and the purchaser of Dialight products and/or an end-user, versions of documents available at [www.dialight.com](http://www.dialight.com) as at the date of sale shall be the versions incorporated therein. In the event of any discrepancy between this document or information provided at [www.dialight.com](http://www.dialight.com), the latter shall prevail.

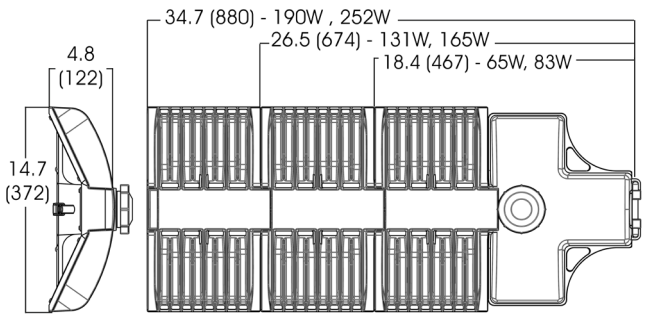
# StreetSense LED Street Light - UL

## Standard Models



### Certifications & Ratings

- UL1598
- CE
- CSA C22.2 No. 250.0-08



Dimensions in inches (mm)

### Mechanical Information:

#### Fixture weight:

62W, 78W:	16lbs (7.26kg)
125W, 156W:	25lbs (11.34kg)
182W, 228W:	34lbs (15.42kg)

#### Shipping weight:

62W, 78W:	21lbs (12kg)
125W, 156W:	30lbs (16kg)
182W, 228W:	39lbs (20kg)

#### Mounting:

Accommodates 1.7" [43mm] ~ 2.3" [58mm] max OD pipe. Provision for adjustment of +/- 5° at 2.5° increments

#### EPA (Sq. ft):

62W, 78W:	0.60
125W, 156W:	0.87
182W, 228W:	1.13

### Electrical Specifications:

#### Operating Voltage:

100 - 277 VAC, 50/60 Hz  
347 - 480 VAC, 50/60 Hz

#### Total system power consumption:

See table

#### Operating Temp:

40°F to 165°F (-40°C to 74°C) ambient

#### Terminal Block:

#14 AWG (1.6mm) to #6 AWG (4.1mm) wire and accessible via hinged tool less entry

#### Noise requirement /EMC:

FCC Title 47, Subpart B, Section 15, class A device. RF Immunity; 10V/m, 80MHz-1GHz

#### Transient protection:

Open circuit surge protection 10kV standard per ANSI/IEEE C62.41. 2.2002 cat C high

#### THD:

<20%

#### Power Factor:

> 0.9

### Construction:

#### Housing:

Copper free aluminum

#### Finish:

Superior dual coat finish  
- Sealed polyester topcoat  
- Chemical-resistant epoxy primer

#### Lens:

Optically optimized, tempered glass

#### Photo controller socket:

Standard NEMA three prong twist lock, socket with shorting cap, as per ANSI C136.10

### Photometric Information:

#### CRI:

>70

#### CCT:

5000K (cool white)  
4300K (neutral white)

#### Optics:

IES Type III

All values typical unless otherwise stated (tolerance +/- 10%)

**WARNING - INSTALLATION & SECONDARY RETENTION.** Use of any Dialight products without proper installation (including secondary retention / netting) and periodic inspections could cause severe injury or death. Dialight recommends that all installations should use secondary retention / netting (appropriate to the installation environment) where applicable. It is the exclusive responsibility of the contractor, installer and/or end-user to: (a) determine the suitability of the product for its intended application; and, (b) ensure that the product is safely installed (with secondary retention / netting where appropriate) and in compliance with all applicable laws and regulations. To the extent permissible under applicable laws, Dialight disclaims all liability for personal injury and/or other damage resulting from any dislodgment or other dislocation of its products.

# StreetSense LED Street Light - UL

## Ordering Information & Accessories

Part Number	Number of Light Engines	EPA (SQ. ft)	Lens	CCT	Fixture Lumens	Wattage	LPW	Optical Pattern
<b>Standard Models - 100-277 VAC</b>								
SL3C5SLGG	3	1.13	Tempered Glass	5000K (cool white)	23,400	228	103	Type III
SL3C5RLGG	3	1.13	Tempered Glass	5000K (cool white)	20,000	182	110	Type III
SL3C5ILGG	2	0.87	Tempered Glass	5000K (cool white)	15,600	156	100	Type III
SL3C5HLGG	2	0.87	Tempered Glass	5000K (cool white)	12,500	125	100	Type III
SL3C5DLGG	1	0.6	Tempered Glass	5000K (cool white)	7,800	78	100	Type III
SL3C5CLGG	1	0.6	Tempered Glass	5000K (cool white)	6,400	62	103	Type III
<b>Standard Models - 347-480 VAC</b>								
SL3C7SLGG	3	1.13	Tempered Glass	5000K (cool white)	22,000	228	96	Type III
SL3C7RLGG	3	1.13	Tempered Glass	5000K (cool white)	20,000	182	110	Type III
SL3C7ILGG	2	0.87	Tempered Glass	5000K (cool white)	15,700	156	101	Type III
SL3C7HLGG	2	0.87	Tempered Glass	5000K (cool white)	12,500	125	100	Type III
SL3C7DLGG	1	0.6	Tempered Glass	5000K (cool white)	7,800	78	100	Type III
SL3C7CLGG	1	0.6	Tempered Glass	5000K (cool white)	6,400	62	103	Type III

All values typical unless otherwise stated, Lumen values are typical (tolerance +/- 10%).

Part numbers listed in the above table are cool white. For neutral white model, replace the 4th character with **N** Ex: SL3C5CLGG becomes SL3N5CLGG



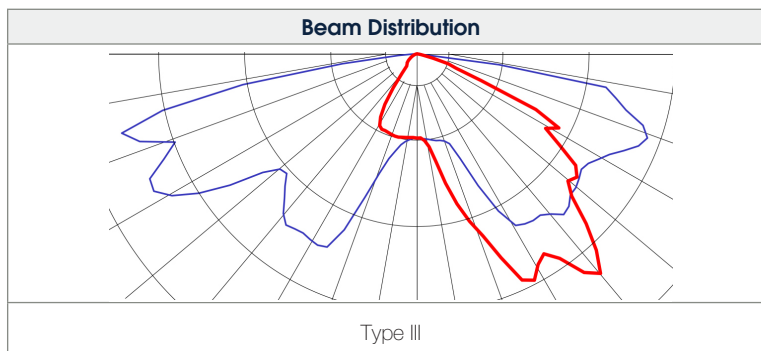
### SLSHIELDKIT

- House side shield



### SL-PC01R

- 105 - 305V AC Photocontroller
- ### SL-PC02R
- 312 - 382V AC Photocontroller
- ### SL-PC03R
- 432 - 528V AC Photocontroller



**DISCLAIMER.** All product information provided is, to the best of Dialight's knowledge, accurate as of the date of publication. When ordering, refer to [www.dialight.com](http://www.dialight.com) for current versions of: (a) relevant product documentation (including the relevant product data sheets); (b) Dialight terms and conditions of sale; and, (c) the relevant product warranty. To the extent that any contract is deemed formed between Dialight and the purchaser of Dialight products and/or an end-user, versions of documents available at [www.dialight.com](http://www.dialight.com) as at the date of sale shall be the versions incorporated therein. In the event of any discrepancy between this document or information provided at [www.dialight.com](http://www.dialight.com), the latter shall prevail.

# Obstruction LED Lighting Solutions

## FAA Approved Obstruction Lighting Solutions



### Red LED Systems: L-864 and L-810

#### Features & Benefits

- Infrared (IR) models available for improved visibility to night vision goggles
- Integrated controller
- 5 year warranty
- Universal 120-240 VAC input
- Controller can be mounted at the base of the structure
- NEMA 4X outdoor rated enclosure
- Wide temperature range: -40°C to +55°C
- Configurable flash rates (20, 30, or 40 flashes per minute)
- Ability to operate lights in steady or flashing mode
- Optional infrared light fixtures
- Light weight design
- Low power consumption
- IP66 rated light fixtures
- Impact and vibration resistant
- Provision for padlock on the enclosure
- Dry contacts for alarm monitoring/status
  - Photocell alarm
  - L-810 / L-864 light alarms
  - Operation mode (day/night)
  - Communication alarm
  - Sync alarm
  - Power fail alarm



### Dual (Red / White) LED Systems: L-865 and L-864

#### Features & Benefits

- Infrared (IR) version available for improved visibility to Night Vision Goggles
- Integrated controller with LCD back-lit display
- Optional Ethernet / Cellular based remote monitoring / control system available
- 5 year warranty
- Ability to flash side markers
- Universal 120-240 VAC input or +/-48 VDC input
- Controller can be mounted at the base of the structure
- NEMA 4X outdoor rated enclosure
- Wide temperature range: -40°C to +55°C
- Light weight design
- Low power consumption
- IP66 rated light fixtures
- Impact and vibration resistant
- Provisions for padlock on the enclosure
- Dry contacts for alarm monitoring/status
  - Photocell alarm
  - Communication alarm
  - Sync alarm
  - Operation mode (day/night)
  - White mode alarm
  - Red mode alarm
  - Power fail alarm



### White LED Systems: L-865

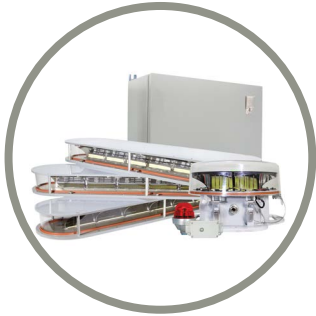
#### Features & Benefits

- Integrated controller with LCD back-lit display
- Optional Ethernet / Cellular based remote monitoring / control system available
- 5 year warranty
- Universal 120-240 VAC input or +/-48 VDC input
- Controller can be mounted at the base of the structure
- NEMA 4X outdoor rated enclosure
- Wide temperature range: -40°C to +55°C
- Light weight design
- Low power consumption
- IP66 rated light fixtures
- Impact and vibration resistant
- Provisions for padlock on the enclosure
- Dry contacts for alarm monitoring/status
  - Photocell alarm
  - Communication alarm
  - Sync alarm
  - Operation mode (day/night)
  - White mode alarm
  - Power fail

**DISCLAIMER.** All product information provided is, to the best of Dialight's knowledge, accurate as of the date of publication. When ordering, refer to [www.dialight.com](http://www.dialight.com) for current versions of: (a) relevant product documentation (including the relevant product data sheets); (b) Dialight terms and conditions of sale; and, (c) the relevant product warranty. To the extent that any contract is deemed formed between Dialight and the purchaser of Dialight products and/or an end-user, versions of documents available at [www.dialight.com](http://www.dialight.com) as at the date of sale shall be the versions incorporated therein. In the event of any discrepancy between this document or information provided at [www.dialight.com](http://www.dialight.com), the latter shall prevail.

# Obstruction LED Lighting Solutions

## FAA Approved Obstruction Lighting Solutions



### High Intensity LED Systems: L-856 / L864

#### Features & Benefits

- Integrated controller
- 5 year warranty
- Universal 208-277 VAC input
- Controller can be mounted at the base of the structure
- NEMA 4X outdoor rated enclosures
- Wide temperature range: -40°C to +55°C
- Low power consumption
- IP66 rated light fixtures
- Impact and vibration resistant
- Provision for padlock on the enclosure
- Effective intensity / power consumption
  - White Day = 270,000cd (160W)
  - White Twilight = 20,000cd (30W)
  - White Night = 2,000cd (23W)
  - Red Night = 2,000cd (30W)
- Dry contacts for alarm monitoring/status
  - Photocell alarm
  - Communication alarm
  - Sync alarm
  - Operation mode (day/night)
  - White mode alarm
  - Red mode alarm
  - Power fail alarm



### Wind LED Lighting Systems

#### Features & Benefits







- Controller integrated into flashhead
- Integrated Photocell
- Integrated Flasher
- 5 year warranty
- Universal 120-240 VAC input
- Wide temperature range: -40°C to +55°C
- Low power consumption
- IP66 rated light fixtures
- Impact and vibration resistant
- Dry contacts for alarm monitoring/status

**DISCLAIMER.** All product information provided is, to the best of Dialight's knowledge, accurate as of the date of publication. When ordering, refer to [www.dialight.com](http://www.dialight.com) for current versions of: (a) relevant product documentation (including the relevant product data sheets); (b) Dialight terms and conditions of sale; and, (c) the relevant product warranty. To the extent that any contract is deemed formed between Dialight and the purchaser of Dialight products and/or an end-user, versions of documents available at [www.dialight.com](http://www.dialight.com) as at the date of sale shall be the versions incorporated therein. In the event of any discrepancy between this document or information provided at [www.dialight.com](http://www.dialight.com), the latter shall prevail.

## OUR SAVINGS & SERVICES

At Dialight, we deeply understand the harsh environments that our customers depend on our fixtures to illuminate each day. That's why our fixtures are engineered specifically for longevity in these conditions and most offer our industry-leading 10 year warranty, giving you peace of mind by reducing or eliminating the need for maintenance over the lifespan of the fixture.

### TOTAL SAVINGS OVER DIALIGHT FIXTURE LIFESPAN

 <p><b>QUICK, EASY INSTALLATION</b></p> <p><i>reduced labor and production down time</i></p>	+	 <p><b>ENERGY REBATE ELIGIBILITY</b></p> <p><i>energy costs decreased</i></p>	+	 <p><b>WIRELESS CONTROLS</b></p> <p><i>IntelliLED advanced controls option to even further reduce costs</i></p>	+	 <p><b>REDUCED MAINTENANCE</b></p> <p><i>significant reduction or elimination in materials, labor and production down time</i></p>	+	 <p><b>IMPROVED SAFETY</b></p> <p><i>risk of accidents is cut up to 60% with clear visibility of hazards*</i></p>	+	 <p><b>COMPLIMENTARY SERVICES</b></p> <p><i>de-risking your investment and finding the right solution without over-purchasing</i></p>
--	---	--	---	--	---	--	---	--	---	--

\*Abdou, "Effects of Luminous Environment on Worker Productivity in Building Spaces"

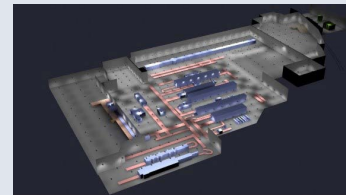
## COMPLIMENTARY VALUE ADDED SERVICES

### SITE AUDIT



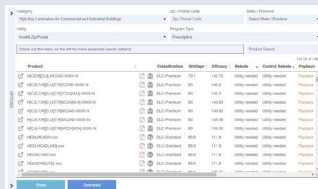
A regional sales manager will gladly visit your facility, taking note of your lighting goals, measuring existing light levels and identifying facility nuances that should be considered in the lighting solution.

### LIGHTING LAYOUT



Our talented lighting designers will quickly design a solution to meet your needs with optimal light levels and the fewest fixtures possible.

### UTILITY REBATE TOOL



Our website contains a real-time database of DLC listed Dialight products and the utility rebates available in your zip code.

### TOTAL COST ANALYSIS



See how much you could be saving in energy and maintenance costs before you buy with our ROI tool.

For a free site audit and lighting layout to help you determine the right solution for your facility, please contact your local Dialight sales representative.





**LEGACY LIGHTING**  
2,400k tonnes\*



**DIALIGHT LED LIGHTING**  
900k tonnes\*

## LIGHTING THE WAY TO A SUSTAINABLE INDUSTRIAL WORLD

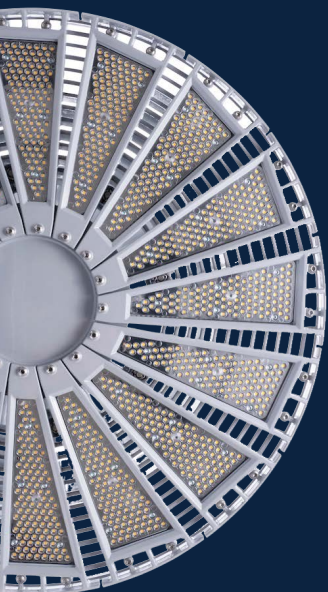
While significant strides have been made over the past several years with regards to corporate social responsibility in the industrial sector, sustainability doesn't necessarily come to mind when thinking about energy consuming, carbon-emitting harsh and hazardous applications.

But it doesn't have to be this way. There are simple, cost-effective steps that can be taken regardless of the industry to make an immediate and meaningful impact. All you have to do is look up.

More than 80% of the industrial world still relies on antiquated, inefficient legacy lighting technologies including High Pressure Sodium, Fluorescent and Metal Halide which require frequent maintenance or replacement, contain hazardous materials such as mercury, and offer sub-optimal illumination to safely perform tasks.

*\*Based on internal calculations of the impact of lighting products sold in 2020 and the estimated impact of the fixtures they replaced.*

At Dialight, we see a world where heavy industry can be transformed to be safer, more productive and environmentally friendly through illumination.



Pure Play LED Lighting Company with global footprint



50 years of LED technology expertise



Part of the Green Economy Index of the London Stock Exchange



Technology proven to withstand the harshest industrial environments



Industry Leading 10 year warranty



Products that last 5X longer than legacy lighting and double that of many LED lighting competitors



Highly efficient, utility rebate eligible, controls-enabled illumination



Our products do not contain hazardous materials such as mercury that would require hazardous disposal

## North American HQ

1501 Route 34 South  
Farmingdale, NJ 07727  
Tel: 732-919-3119  
Fax: 732-751-5778  
info@dialight.com

## Middle East

Level 23 – Boulevard Plaza Tower 2  
Emaar Boulevard, Dubai, U.A.E.  
P.O. Box 124342  
Tel: +971 (4) 409-6962  
Fax: +971 (4) 409-6850

## Australia

108 Howe Street  
Osborne Park, WA 6017  
Tel: +61 (0) 8 9244 7600  
Fax: +61 (0) 8 9244 7601  
info@dialight.com.au

## Southeast Asia

33 Ubi Avenue 3  
#07-72 Vertex (Tower A)  
Singapore 408868  
Tel: +65 6578 7157  
Fax: +65 6578 7150  
enquiry@dialight.com.sg

## Dialight Europe Ltd

Leaf C, Level 36, Tower 42  
25 Old Broad Street  
London, EC2N 1HQ, United Kingdom  
Tel: +44 (0) 203 058 3540  
Customer Service: +44 (0) 163 866 6541  
sales-emea@dialight.com



### WARNING / DISCLAIMERS:

**Installation & secondary retention.** The use of this product without proper installation (including secondary retention / netting) and periodic inspections, could cause severe injury or death. Dialight recommends that all installations should use secondary retention / netting (appropriate to the installation environment) as applicable. Dialight products are intended for ultimate purchase, installation and operation by knowledgeable persons trained in the functional assessment, installation, use and maintenance of such products and all customers (including but not limited to end customers) are responsible for assessing the suitability of Dialight products for any given installation requirement. It is the exclusive responsibility of the contractor, installer and/or end-user to: (a) determine the suitability of the product for its intended application; and, (b) ensure that the product is safely installed (with secondary retention / netting as appropriate) and in compliance with all applicable laws and regulations.

**Product specifications & warranties.** All product information provided is, to the best of Dialight's knowledge, accurate as of the date of publication. All values and performance data herein are design or typical values when measured under laboratory conditions. The information herein is subject to change without notice. The products / software detailed herein are subject to applicable warranties and terms and conditions of use/purchase. Unless agreed otherwise in writing by an authorized representative of Dialight, Dialight does not represent that its products are fit for any particular purpose and accepts no liability for the installation and/or unauthorised use of its products. When ordering, refer to [www.dialight.com](http://www.dialight.com) for current versions of: (a) relevant product documentation (including relevant product data sheets); (b) Dialight terms and conditions of sale; and, (c) the relevant product warranties. To the extent that any contract is deemed formed between Dialight and the purchaser of Dialight products and/or an end-user, versions of documents available at [www.dialight.com](http://www.dialight.com) as at the date of sale shall be the versions incorporated therein. In the event of any discrepancy between this document and information provided at [www.dialight.com](http://www.dialight.com), the latter shall prevail.

**Exclusion of liability.** To the extent permissible under the relevant law, Dialight disclaims all liability for personal injury and/or other damage resulting from any dislodgment or other dislocation of its products. Whilst Dialight has used its reasonable endeavours to ensure the completeness and accuracy of information herein, Dialight does not assume any liability for damages resulting from use of this information or for any third-party representations made in relation to Dialight products.