



# **DuroSite<sup>®</sup> LED Full Cut-Off Wallpack**

## Technical Specification Sheet - Americas

## DuroSite® LED Full Cut-Off Wallpack

### Technical Spec Sheet



#### Certifications & Ratings

- 5 year warranty
- UL 1598 - wet location
- CSA C22.2 No. 250
- DLC Premium
- IP65
- L70 @ 50,000 hours
- IK08

#### Mechanical Information:

<b>Fixture weight:</b>	Up to 11 lb
80W:	4.4 lb
120W:	8.8 lb
Emergency Battery Option:	2 lb

**Mounting:** Wall mount

**Cable entry:** (5) five sides optional conduit entry

#### Variable Dimming:

**Variable dimming control:** 0-10 VDC

#### Electrical Specifications:

**Operating voltage:** 120-277 VAC

**Total system power consumption:** See table

**Operating temperature:** -22°F to +104°F (-30°C to +40°C)

**Surge protection:** L-N: 6Kv L/N-PE: 10Kv"

**THD:** <20%

**Power factor:** >0.9

#### Construction:

**Finish:** Gray  
Bronze

#### Photometric Information:

**CRI:** 70

**Field switchable CCT:** 3000K / 4000K / 5000K

**Field switchable lumens:** 25% / 50% / 75% / 100%

All values typical unless otherwise stated (tolerance +/- 10%)

**WARNING - INSTALLATION & SECONDARY RETENTION.** Use of any Dialight products without proper installation (including secondary retention / netting) and periodic inspections could cause severe injury or death. Dialight recommends that all installations should use secondary retention / netting (appropriate to the installation environment) where applicable. It is the exclusive responsibility of the contractor, installer and/or end-user to: (a) determine the suitability of the product for its intended application; and, (b) ensure that the product is safely installed (with secondary retention / netting where appropriate) and in compliance with all applicable laws and regulations. To the extent permissible under applicable laws, Dialight disclaims all liability for personal injury and/or other damage resulting from any dislodgment or other dislocation of its products.

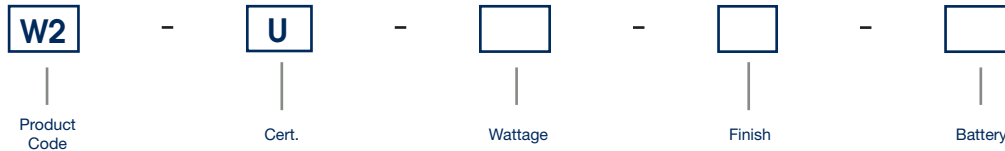


## DuroSite® LED Full Cut-Off Wallpack

### Ordering Information

Project Information		Specifications	
Part Number:			
Project:			
Fixture Type:		Date:	

### Ordering Information



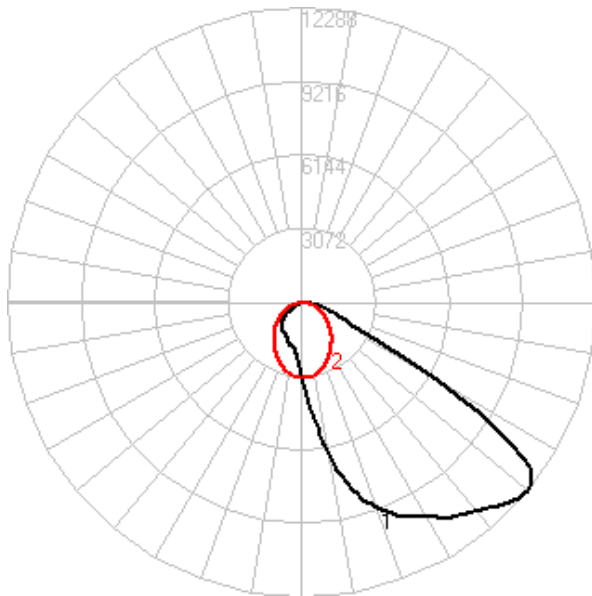
Product Code	Wattage	Finish	Battery
W2 DuroSite® Wallpack	8 80W 12 120W	G Gray Z Bronze	N No Option F Battery Backup
Certification			
U UL 1598, CSA			

DuroSite LED Full Cut-Off Wallpack						
Part Number	Fixture Lumens	Wattage	lm/W	Beam Distribution	Finish	Battery Backup
W2U8GN	10,400	80	130	Type III	Gray	None
W2U8ZN	10,400	80	130	Type III	Bronze	None
W2U8GF	10,400	80	130	Type III	Gray	4W / 90 min
W2U8ZF	10,400	80	130	Type III	Bronze	4W / 90 min
W2U12GN	15,600	120	130	Type III	Gray	None
W2U12ZN	15,600	120	130	Type III	Bronze	None
W2U12GF	15,600	120	130	Type III	Gray	4W / 90 min
W2U12ZF	15,600	102	130	Type III	Bronze	4W / 90 min

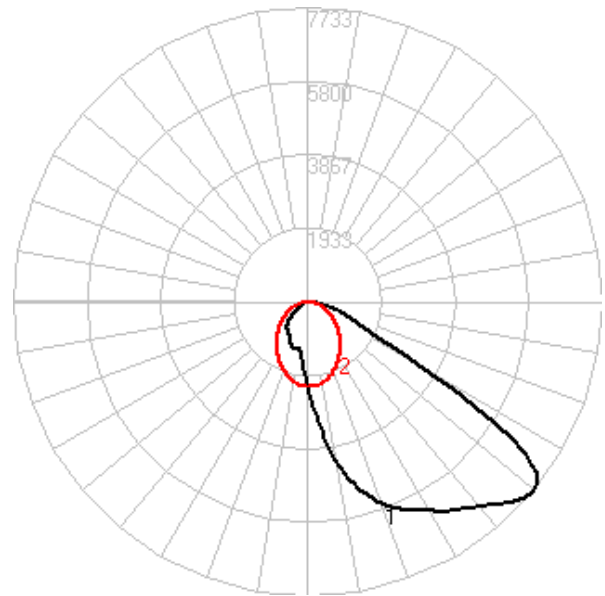
**DISCLAIMER.** All product information provided is, to the best of Dialight’s knowledge, accurate as of the date of publication. When ordering, refer to [www.dialight.com](http://www.dialight.com) for current versions of: (a) relevant product documentation (including the relevant product data sheets); (b) Dialight terms and conditions of sale; and, (c) the relevant product warranty. To the extent that any contract is deemed formed between Dialight and the purchaser of Dialight products and/or an end-user, versions of documents available at [www.dialight.com](http://www.dialight.com) as at the date of sale shall be the versions incorporated therein. In the event of any discrepancy between this document or information provided at [www.dialight.com](http://www.dialight.com), the latter shall prevail.

## Beam Distribution

W2U12 - 120W

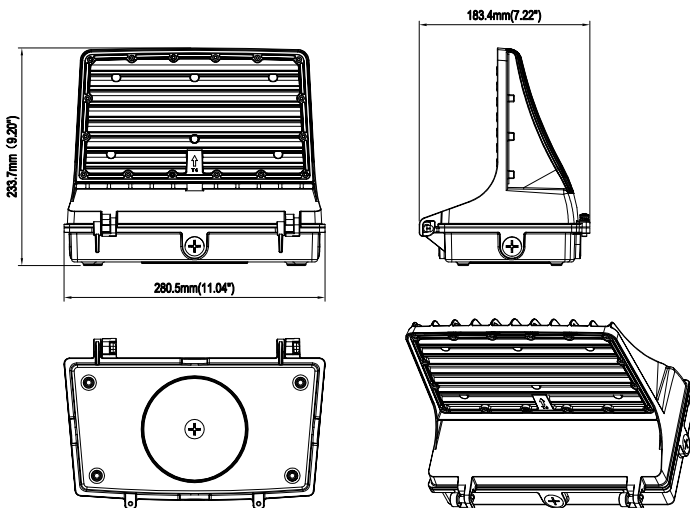


W2U8 - 80W

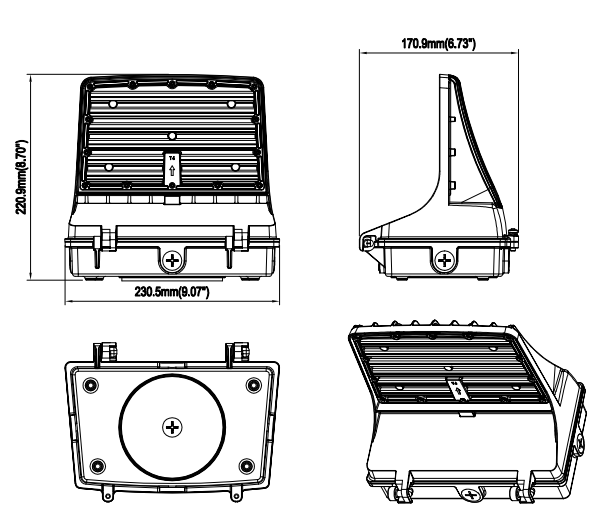


## Dimensional Drawings

W2U12 - 120W



W2U8 - 80W



**DISCLAIMER.** All product information provided is, to the best of Dialight's knowledge, accurate as of the date of publication. When ordering, refer to [www.dialight.com](http://www.dialight.com) for current versions of: (a) relevant product documentation (including the relevant product data sheets); (b) Dialight terms and conditions of sale; and, (c) the relevant product warranty. To the extent that any contract is deemed formed between Dialight and the purchaser of Dialight products and/or an end-user, versions of documents available at [www.dialight.com](http://www.dialight.com) as at the date of sale shall be the versions incorporated therein. In the event of any discrepancy between this document or information provided at [www.dialight.com](http://www.dialight.com), the latter shall prevail.

## North American HQ

1501 Route 34 South  
Farmingdale, NJ 07727

Tel: 732-919-3119

Fax: 732-751-5778

info@dialight.com

### WARNING / DISCLAIMERS:

**Installation & secondary retention.** The use of this product without proper installation (including secondary retention / netting) and periodic inspections, could cause severe injury or death. Dialight recommends that all installations should use secondary retention / netting (appropriate to the installation environment) as applicable. Dialight products are intended for ultimate purchase, installation and operation by knowledgeable persons trained in the functional assessment, installation, use and maintenance of such products and all customers (including but not limited to end customers) are responsible for assessing the suitability of Dialight products for any given installation requirement. It is the exclusive responsibility of the contractor, installer and/or end-user to: (a) determine the suitability of the product for its intended application; and, (b) ensure that the product is safely installed (with secondary retention / netting as appropriate) and in compliance with all applicable laws and regulations.

**Product specifications & warranties.** All product information provided is, to the best of Dialight's knowledge, accurate as of the date of publication. All values and performance data herein are design or typical values when measured under laboratory conditions. The information herein is subject to change without notice. The products / software detailed herein are subject to applicable warranties and terms and conditions of use/purchase. Unless agreed otherwise in writing by an authorized representative of Dialight, Dialight does not represent that its products are fit for any particular purpose and accepts no liability for the installation and/or unauthorised use of its products. When ordering, refer to [www.dialight.com](http://www.dialight.com) for current versions of: (a) relevant product documentation (including relevant product data sheets); (b) Dialight terms and conditions of sale; and, (c) the relevant product warranties. To the extent that any contract is deemed formed between Dialight and the purchaser of Dialight products and/or an end-user, versions of documents available at [www.dialight.com](http://www.dialight.com) as at the date of sale shall be the versions incorporated therein. In the event of any discrepancy between this document and information provided at [www.dialight.com](http://www.dialight.com), the latter shall prevail.

**Exclusion of liability.** To the extent permissible under the relevant law, Dialight disclaims all liability for personal injury and/or other damage resulting from any dislodgment or other dislocation of its products. Whilst Dialight has used its reasonable endeavours to ensure the completeness and accuracy of information herein, Dialight does not assume any liability for damages resulting from use of this information or for any third-party representations made in relation to Dialight products.