

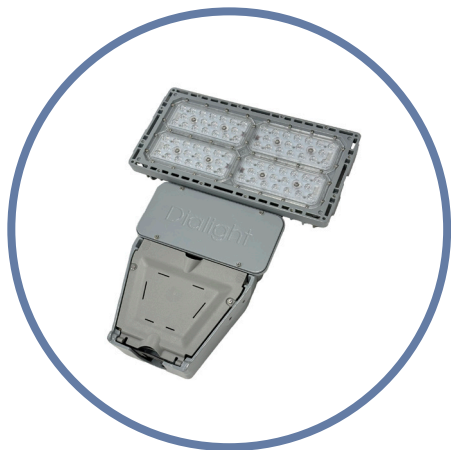


ProSite LED Streetlight

Technical Specification Sheet - Americas

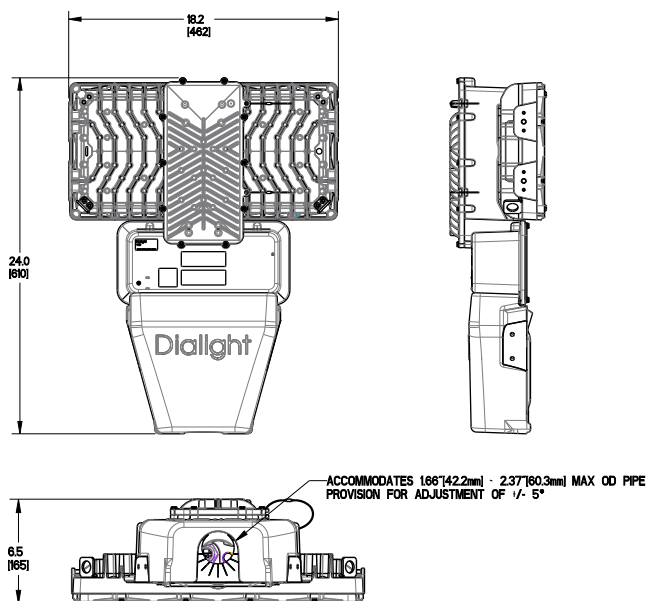
ProSite LED Streetlight - Non-Hazardous

S1 Models



Certifications & Ratings

- 10 year warranty
- UL 1598/A / CSA C22.2 No. 250
- IP66/67, NEMA 4X
- IK10 - Integrated PC optic only
- IK10 - Polycarbonate lens
- IK08 - Glass lens
- L70 > 150,000 hours @ 25°C ambient
- DLC/DLC Premium - selected models (Pending)



Dimensions in inches [mm]

Additional dimensional drawings on pages 14-15

Mechanical Information:

Fixture weight:	26.4 - 34 lbs (11.0 - 15.5 kg)
Shipping weight:	31.6 - 41.3 lbs (14.3 - 18.8 kg)
EPA (sq. ft):	1.11
Mounting:	Cast aluminum mast arm bracket - suits 1.66"-2.37" OD pipe (-5°, 0°, +5° tilt settings) Slipfitter bracket (7.5° tilt adjustment, for vertical pole mount only)
Cable entry:	1 x 3/4" NPS

Electrical Specifications:

Operating voltage:	120-277VAC / 120-250VDC 347-480 VAC
Operating temp:	-40°F to +149°F (-40°C to +65°C)
EMC:	Emissions: FCC Title 47 CFR Part 15 Subpart B, Class A Flicker: IEC 61000-3-3 Immunity requirements for lighting: IEC 61547 Harmonics: IEC 61000-3-2 Class C
Transient protection: Optional:	6kV/3kA Additional surge protection module rated for 10kA, 20kA single strike
THD:	< 20%
Power Factor:	> 0.9
Dimming:	0-10 VDC
Auto switching:	NEMA 3-pin receptacle with shorting cap

Construction:

Housing:	A360 Die-cast aluminum
Hardware:	316 stainless steel
Finish:	Superior epoxy and polyester dual coat finish
Lens:	Integrated PC Optic/Lens, Glass Lens Cover, PC Lens Cover

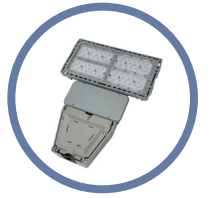
Photometric Information:

CRI:	70 (80 optional)
CCT:	5000K (cool white) 4000K (neutral white) 2200K (warm white) 2700K (warm white) - 80 CRI only Amber
Beam pattern:	Type II Medium Type III Short Type III Medium Type V

All values typical unless otherwise stated (tolerance +/- 10%)

WARNING - INSTALLATION & SECONDARY RETENTION. Use of any Dialight products without proper installation (including secondary retention / netting) and periodic inspections could cause severe injury or death. Dialight recommends that all installations should use secondary retention / netting (appropriate to the installation environment) where applicable. It is the exclusive responsibility of the contractor, installer and/or end-user to: (a) determine the suitability of the product for its intended application; and, (b) ensure that the product is safely installed (with secondary retention / netting where appropriate) and in compliance with all applicable laws and regulations. To the extent permissible under applicable laws, Dialight disclaims all liability for personal injury and/or other damage resulting from any dislodgment or other dislocation of its products.

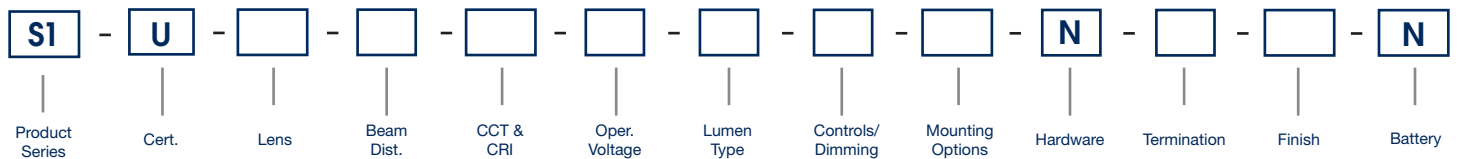
ProSite LED Streetlight - Non-Hazardous S1 Models



Project Information	
Part Number:	
Project:	
Fixture Type:	Date:

Specifications

Ordering Information



Product Series
S1 ProSite Streetlight

Certification
U UL1589/A CSA 22.2 No. 250

Lens*
N Integrated PC Optic/Lens Only
4 PC Lens Cover
7 Glass Lens Cover

*Lens option 4 and 7 is not available for Type III Short

Beam Distribution
P Type II Medium
J Type III Short
Q Type III Medium
6 Type V

CCT & CRI
B Cool White 5000K - 70 CRI
L Neutral White 4000K - 70 CRI
U Warm White 2200K - 70 CRI*
W Warm White 2700K - 80 CRI*

*Lumen output decreases for warm white CCT options. Refer to lumen table for accurate values.

Operating Voltage
2 120-277VAC / 120-250VDC
5 347-480 VAC
8 120-277VAC / 120-250VDC 10kA surge
9 347-480 VAC 10kA surge

Lumen Type/Max Wattage
B 12,000 Lumens / 84W
C 18,000 Lumens / 128W
E 24,000 Lumens / 179W
F 30,000 Lumens / 237W

Controls/Dimming
D 0-10V
S Receptacle with Shorting Cap

Mounting Options
T Mast Arm Bracket
S Slipfitter

Hardware
N No Option

Termination
U 6mm ² Terminal Block - Screw Down*
V 4mm ² Terminal Block - Push Down

*For 480V variants, will be Cage Clamp style

Finish
G Gray (RAL 7040)
Z Bronze (RAL 7022)

Battery
N No Options

WARNING - INSTALLATION & SECONDARY RETENTION. Use of any Dialight products without proper installation (including secondary retention / netting) and periodic inspections could cause severe injury or death. Dialight recommends that all installations should use secondary retention / netting (appropriate to the installation environment) where applicable. It is the exclusive responsibility of the contractor, installer and/or end-user to: (a) determine the suitability of the product for its intended application; and, (b) ensure that the product is safely installed (with secondary retention / netting where appropriate) and in compliance with all applicable laws and regulations. To the extent permissible under applicable laws, Dialight disclaims all liability for personal injury and/or other damage resulting from any dislodgment or other dislocation of its products.

Ordering Information

ProSite LED Streetlight - Non-Hazardous



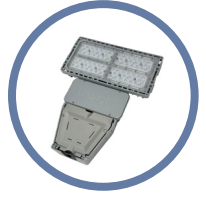
Industrial - 120-277 VAC								
Part Number	Fixture Lumens	Wattage	Efficacy	Voltage	CCT/CRI	Lens	Optic	Receptacle with Cap
ProSite Streetlight 12,000lm Models								
S1U-NQB2-BSTN-VGN	12,300	81	152	120-277VAC	CW 5000K - 70 CRI	PC Optic Only	Type III Medium	Yes
S1U-NPB2-BSTN-VGN	12,000	81	148	120-277VAC	CW 5000K - 70 CRI	PC Optic Only	Type II Medium	Yes
S1U-NQL2-BSTN-VGN	12,300	81	152	120-277VAC	NW 4000K - 70 CRI	PC Optic Only	Type III Medium	Yes
S1U-NPL2-BSTN-VGN	12,000	81	148	120-277VAC	NW 4000K - 70 CRI	PC Optic Only	Type II Medium	Yes
ProSite Streetlight 18,000lm Models								
S1U-NQB2-CSTN-VGN	17,900	124	144	120-277VAC	CW 5000K - 70 CRI	PC Optic Only	Type III Medium	Yes
S1U-NPB2-CSTN-VGN	17,400	124	140	120-277VAC	CW 5000K - 70 CRI	PC Optic Only	Type II Medium	Yes
S1U-NQL2-CSTN-VGN	17,900	124	144	120-277VAC	NW 4000K - 70 CRI	PC Optic Only	Type III Medium	Yes
S1U-NPL2-CSTN-VGN	17,400	124	140	120-277VAC	NW 4000K - 70 CRI	PC Optic Only	Type II Medium	Yes
ProSite Streetlight 24,000lm Models								
S1U-NQB2-ESTN-VGN	23,400	175	134	120-277VAC	CW 5000K - 70 CRI	PC Optic Only	Type III Medium	Yes
S1U-NPB2-ESTN-VGN	22,700	175	130	120-277VAC	CW 5000K - 70 CRI	PC Optic Only	Type II Medium	Yes
S1U-NQL2-ESTN-VGN	23,400	175	134	120-277VAC	NW 4000K - 70 CRI	PC Optic Only	Type III Medium	Yes
S1U-NPL2-ESTN-VGN	22,700	175	130	120-277VAC	NW 4000K - 70 CRI	PC Optic Only	Type II Medium	Yes
ProSite Streetlight 30,000lm Models								
S1U-NQB2-FSTN-VGN	29,500	234	126	120-277VAC	CW 5000K - 70 CRI	PC Optic Only	Type III Medium	Yes
S1U-NPB2-FSTN-VGN	28,800	234	123	120-277VAC	CW 5000K - 70 CRI	PC Optic Only	Type II Medium	Yes
S1U-NQL2-FSTN-VGN	29,500	234	126	120-277VAC	NW 4000K - 70 CRI	PC Optic Only	Type III Medium	Yes
S1U-NPL2-FSTN-VGN	28,800	234	123	120-277VAC	NW 4000K - 70 CRI	PC Optic Only	Type II Medium	Yes

All values typical unless otherwise stated (tolerance +/- 10%). See ordering information chart for additional options.

DISCLAIMER. All product information provided is, to the best of Dialight's knowledge, accurate as of the date of publication. When ordering, refer to www.dialight.com for current versions of: (a) relevant product documentation (including the relevant product data sheets); (b) Dialight terms and conditions of sale; and, (c) the relevant product warranty. To the extent that any contract is deemed formed between Dialight and the purchaser of Dialight products and/or an end-user, versions of documents available at www.dialight.com as at the date of sale shall be the versions incorporated therein. In the event of any discrepancy between this document or information provided at www.dialight.com, the latter shall prevail.

Ordering Information

ProSite LED Streetlight - Non-Hazardous



Industrial - 347-480 VAC								
Part Number	Fixture Lumens	Wattage	Efficacy	Voltage	CCT/CRI	Lens	Optic	Receptacle with Cap
ProSite Streetlight 12,000lm Models								
S1U-NQB5-BSTN-VGN	12,300	84	146	347-480VAC	CW 5000K - 70 CRI	PC Optic Only	Type III Medium	Yes
S1U-NPB5-BSTN-VGN	12,000	84	143	347-480VAC	CW 5000K - 70 CRI	PC Optic Only	Type II Medium	Yes
S1U-NQL5-BSTN-VGN	12,300	84	146	347-480VAC	NW 4000K - 70 CRI	PC Optic Only	Type III Medium	Yes
S1U-NPL5-BSTN-VGN	12,000	84	143	347-480VAC	NW 4000K - 70 CRI	PC Optic Only	Type II Medium	Yes
ProSite Streetlight 18,000lm Models								
S1U-NQB5-CSTN-VGN	17,900	128	140	347-480VAC	CW 5000K - 70 CRI	PC Optic Only	Type III Medium	Yes
S1U-NPB5-CSTN-VGN	17,400	128	136	347-480VAC	CW 5000K - 70 CRI	PC Optic Only	Type II Medium	Yes
S1U-NQL5-CSTN-VGN	17,900	128	140	347-480VAC	NW 4000K - 70 CRI	PC Optic Only	Type III Medium	Yes
S1U-NPL5-CSTN-VGN	17,400	128	136	347-480VAC	NW 4000K - 70 CRI	PC Optic Only	Type II Medium	Yes
ProSite Streetlight 24,000lm Models								
S1U-NQB5-ESTN-VGN	23,400	179	131	347-480VAC	CW 5000K - 70 CRI	PC Optic Only	Type III Medium	Yes
S1U-NPB5-ESTN-VGN	22,700	179	127	347-480VAC	CW 5000K - 70 CRI	PC Optic Only	Type II Medium	Yes
S1U-NQL5-ESTN-VGN	23,400	179	131	347-480VAC	NW 4000K - 70 CRI	PC Optic Only	Type III Medium	Yes
S1U-NPL5-ESTN-VGN	22,700	179	127	347-480VAC	NW 4000K - 70 CRI	PC Optic Only	Type II Medium	Yes
ProSite Streetlight 30,000lm Models								
S1U-NQB5-FSTN-VGN	29,500	237	124	347-480VAC	CW 5000K - 70 CRI	PC Optic Only	Type III Medium	Yes
S1U-NPB5-FSTN-VGN	28,800	237	122	347-480VAC	CW 5000K - 70 CRI	PC Optic Only	Type II Medium	Yes
S1U-NQL5-FSTN-VGN	29,500	237	124	347-480VAC	NW 4000K - 70 CRI	PC Optic Only	Type III Medium	Yes
S1U-NPL5-FSTN-VGN	28,800	237	122	347-480VAC	NW 4000K - 70 CRI	PC Optic Only	Type II Medium	Yes

All values typical unless otherwise stated (tolerance +/- 10%). See ordering information chart for additional options.

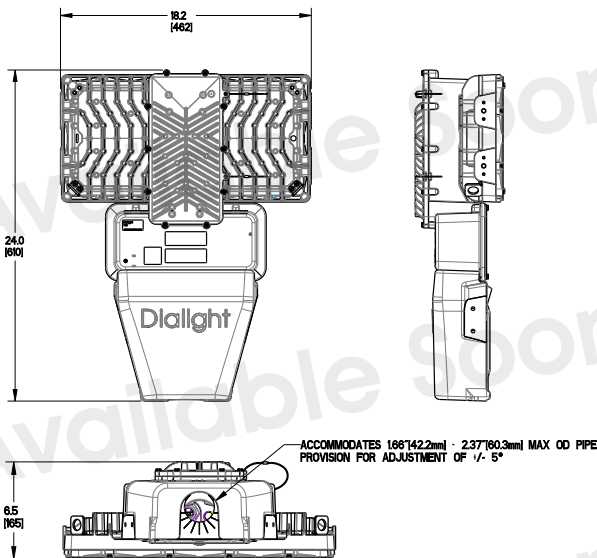
DISCLAIMER. All product information provided is, to the best of Dialight's knowledge, accurate as of the date of publication. When ordering, refer to www.dialight.com for current versions of: (a) relevant product documentation (including the relevant product data sheets); (b) Dialight terms and conditions of sale; and, (c) the relevant product warranty. To the extent that any contract is deemed formed between Dialight and the purchaser of Dialight products and/or an end-user, versions of documents available at www.dialight.com as at the date of sale shall be the versions incorporated therein. In the event of any discrepancy between this document or information provided at www.dialight.com, the latter shall prevail.

ProSite LED Streetlight - Hazardous S1 Models



Certifications & Ratings

- 10 year warranty
- UL 844 / CSA C22.2 No. 137
 - Class I, Division 2 (Groups A, B, C, D)
 - Class I, Zone 2 (Groups IIC)
 - Class II, Division 2 (Groups F, G)
 - Class II, Division 1 (Groups E, F, G) - up to 18k Lumen Models
 - Zone 20, 21 & 22
 - Class III
- IP66/67, NEMA 4X
- IK08 - Glass lens
- IK10 - Polycarbonate lens
- L70 > 150,000 hours @ 25°C ambient
- DLC/DLC Premium - selected models



Dimensions in inches [mm]
Additional dimensional drawings on pages 14-15

WARNING - INSTALLATION & SECONDARY RETENTION. Use of any Dialight products without proper installation (including secondary retention / netting) and periodic inspections could cause severe injury or death. Dialight recommends that all installations should use secondary retention / netting (appropriate to the installation environment) where applicable. It is the exclusive responsibility of the contractor, installer and/or end-user to: (a) determine the suitability of the product for its intended application; and, (b) ensure that the product is safely installed (with secondary retention / netting where appropriate) and in compliance with all applicable laws and regulations. To the extent permissible under applicable laws, Dialight disclaims all liability for personal injury and/or other damage resulting from any dislodgment or other dislocation of its products.

Mechanical Information:

Fixture weight:	26.4 - 33.0 lbs (12.0 - 15.0kg)
Shipping weight:	31.6- 41.3 lbs (14.3 - 18.8kg)
EPA (sq. ft):	1.11
Mounting:	Cast aluminum mast arm bracket - suits 1.66"-2.37" OD pipe (-5°, 0°, +5° tilt settings) Slipfitter bracket (7.5° tilt adjustment, for vertical pole mount only)
Cable entry:	1 x 3/4" NPS

Electrical Specifications:

Operating voltage:	120-277VAC / 120-250VDC 347-480 VAC
Operating temp:	-40°F to +149°F (-40°C to +65°C)
EMC:	Emissions: FCC Title 47 CFR Part 15 Subpart B, Class A Flicker: IEC 61000-3-3 Immunity requirements for lighting: IEC 61547 Harmonics: IEC 61000-3-2 Class C
Transient protection:	6kV/3kA

THD:	< 20%
Power Factor:	> 0.9
Dimming:	0-10 VDC
Construction:	
Housing:	A360 Die-cast aluminum
Hardware:	316 stainless steel
Finish:	Superior epoxy and polyester dual coat finish
Lens:	Glass Lens Cover, PC Lens Cover

Photometric Information:

CRI:	70 (80 optional)
CCT:	5000K (cool white) 4000K (neutral white) 2200K (warm white) 2700K (warm white) - 80 CRI only
Beam pattern:	Type II Medium Type III Medium Type V

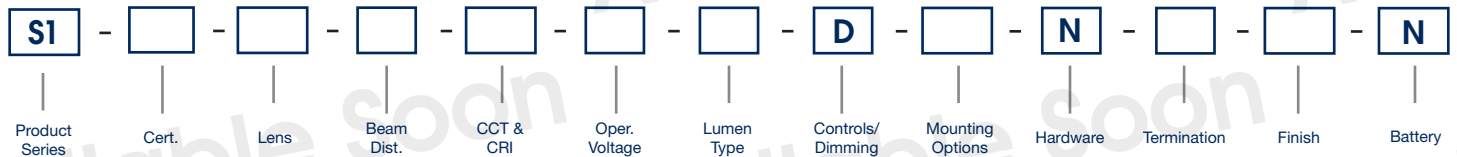
All values typical unless otherwise stated (tolerance +/- 10%)

ProSite LED Streetlight - Hazardous S1 Models



Project Information		Specifications	
Part Number:			
Project:			
Fixture Type:		Date:	

Ordering Information



Product Series

S1	ProSite Streetlight
----	---------------------

Certification

D	UL 844 CID2, CIID2, CIII
F	UL 844 CIID1, CID2, CIID2, CIII (up to 18k lm models)

Lens*

4	PC Lens Cover
7	Glass Lens Cover

Beam Distribution

P	Type II Medium
Q	Type III Medium
6	Type V

CCT & CRI

B	Cool White 5000K - 70 CRI
L	Neutral White 4000K - 70 CRI
U	Warm White 2200K - 70 CRI*
W	Warm White 2700K - 80 CRI*

*Lumen output decreases for warm white CCT options. Refer to lumen table for accurate values.

Operating Voltage

2	120-277VAC / 120-250VDC
5	347-480 VAC

Lumen Type/Max Wattage

B	12,000 Lumens
C	18,000 Lumens
E	24,000 Lumens
F	30,000 Lumens

Controls/Dimming

D	0-10V
---	-------

Mounting Options

T	Mast Arm Bracket
S	Slipfitter*

*Slipfitter models are only rated up to CID2 (A, B, C & D)

Hardware

N	No Option
---	-----------

Termination

U	6mm ² Terminal Block - Screw Down*
V	4mm ² Terminal Block - Push Down

*For 480V variants, will be Cage Clamp style

Finish

G	Gray (RAL 7040)
Z	Bronze (RAL 7022)

Battery

N	No Options
---	------------

WARNING - INSTALLATION & SECONDARY RETENTION. Use of any Dialight products without proper installation (including secondary retention / netting) and periodic inspections could cause severe injury or death. Dialight recommends that all installations should use secondary retention / netting (appropriate to the installation environment) where applicable. It is the exclusive responsibility of the contractor, installer and/or end-user to: (a) determine the suitability of the product for its intended application; and, (b) ensure that the product is safely installed (with secondary retention / netting where appropriate) and in compliance with all applicable laws and regulations. To the extent permissible under applicable laws, Dialight disclaims all liability for personal injury and/or other damage resulting from any dislodgment or other dislocation of its products.

Ordering Information

ProSite LED Streetlight - Hazardous



Hazardous - 120-277 VAC, CID2							
Part Number	Fixture Lumens	Wattage	Efficacy	Voltage	CCT/CRI	Lens	Optic
ProSite Streetlight 12,000lm Models							
S1D-7QB2-BDTN-VGN	10,600	81	131	120-277VAC	CW 5000K - 70 CRI	Glass	Type III Medium
S1D-7PB2-BDTN-VGN	10,300	81	127	120-277VAC	CW 5000K - 70 CRI	Glass	Type II Medium
S1D-7QL2-BDTN-VGN	10,600	81	131	120-277VAC	NW 4000K - 70 CRI	Glass	Type III Medium
S1D-7PL2-BDTN-VGN	10,300	81	127	120-277VAC	NW 4000K - 70 CRI	Glass	Type II Medium
ProSite Streetlight 18,000lm Models							
S1D-7QB2-CDTN-VGN	15,300	124	123	120-277VAC	CW 5000K - 70 CRI	Glass	Type III Medium
S1D-7PB2-CDTN-VGN	14,900	124	120	120-277VAC	CW 5000K - 70 CRI	Glass	Type II Medium
S1D-7QL2-CDTN-VGN	15,300	124	123	120-277VAC	NW 4000K - 70 CRI	Glass	Type III Medium
S1D-7PL2-CDTN-VGN	14,900	124	120	120-277VAC	NW 4000K - 70 CRI	Glass	Type II Medium
ProSite Streetlight 24,000lm Models							
S1D-7QB2-EDTN-VGN	20,000	175	114	120-277VAC	CW 5000K - 70 CRI	Glass	Type III Medium
S1D-7PB2-EDTN-VGN	19,500	175	111	120-277VAC	CW 5000K - 70 CRI	Glass	Type II Medium
S1D-7QL2-EDTN-VGN	20,000	175	114	120-277VAC	NW 4000K - 70 CRI	Glass	Type III Medium
S1D-7PL2-EDTN-VGN	19,500	175	111	120-277VAC	NW 4000K - 70 CRI	Glass	Type II Medium
ProSite Streetlight 30,000lm Models							
S1D-7QB2-FDTN-VGN	25,300	234	108	120-277VAC	CW 5000K - 70 CRI	Glass	Type III Medium
S1D-7PB2-FDTN-VGN	24,600	234	105	120-277VAC	CW 5000K - 70 CRI	Glass	Type II Medium
S1D-7QL2-FDTN-VGN	25,300	234	108	120-277VAC	NW 4000K - 70 CRI	Glass	Type III Medium
S1D-7PL2-FDTN-VGN	24,600	234	105	120-277VAC	NW 4000K - 70 CRI	Glass	Type II Medium

All values typical unless otherwise stated (tolerance +/- 10%). See ordering information chart for additional options.

DISCLAIMER. All product information provided is, to the best of Dialight's knowledge, accurate as of the date of publication. When ordering, refer to www.dialight.com for current versions of: (a) relevant product documentation (including the relevant product data sheets); (b) Dialight terms and conditions of sale; and, (c) the relevant product warranty. To the extent that any contract is deemed formed between Dialight and the purchaser of Dialight products and/or an end-user, versions of documents available at www.dialight.com as at the date of sale shall be the versions incorporated therein. In the event of any discrepancy between this document or information provided at www.dialight.com, the latter shall prevail.

Ordering Information

ProSite LED Streetlight - Hazardous



Hazardous - 347-480 VAC, CID2							
Part Number	Fixture Lumens	Wattage	Efficacy	Voltage	CCT/CRI	Lens	Optic
ProSite Streetlight 12,000lm Models							
S1D-7QB5-BDTN-VGN	10,600	84	126	347-480VAC	CW 5000K - 70 CRI	Glass	Type III Medium
S1D-7PB5-BDTN-VGN	10,300	84	123	347-480VAC	CW 5000K - 70 CRI	Glass	Type II Medium
S1D-7QL5-BDTN-VGN	10,600	84	126	347-480VAC	NW 4000K - 70 CRI	Glass	Type III Medium
S1D-7PL5-BDTN-VGN	10,300	84	123	347-480VAC	NW 4000K - 70 CRI	Glass	Type II Medium
ProSite Streetlight 18,000lm Models							
S1D-7QB5-CDTN-VGN	15,300	128	120	347-480VAC	CW 5000K - 70 CRI	Glass	Type III Medium
S1D-7PB5-CDTN-VGN	14,900	128	116	347-480VAC	CW 5000K - 70 CRI	Glass	Type II Medium
S1D-7QL5-CDTN-VGN	15,300	128	120	347-480VAC	NW 4000K - 70 CRI	Glass	Type III Medium
S1D-7PL5-CDTN-VGN	14,900	128	116	347-480VAC	NW 4000K - 70 CRI	Glass	Type II Medium
ProSite Streetlight 24,000lm Models							
S1D-7QB5-EDTN-VGN	20,000	179	112	347-480VAC	CW 5000K - 70 CRI	Glass	Type III Medium
S1D-7PB5-EDTN-VGN	19,500	179	109	347-480VAC	CW 5000K - 70 CRI	Glass	Type II Medium
S1D-7QL5-EDTN-VGN	20,000	179	112	347-480VAC	NW 4000K - 70 CRI	Glass	Type III Medium
S1D-7PL5-EDTN-VGN	19,500	179	109	347-480VAC	NW 4000K - 70 CRI	Glass	Type II Medium
ProSite Streetlight 30,000lm Models							
S1D-7QB5-FDTN-VGN	25,300	237	107	347-480VAC	CW 5000K - 70 CRI	Glass	Type III Medium
S1D-7PB5-FDTN-VGN	24,600	237	104	347-480VAC	CW 5000K - 70 CRI	Glass	Type II Medium
S1D-7QL5-FDTN-VGN	25,300	237	107	347-480VAC	NW 4000K - 70 CRI	Glass	Type III Medium
S1D-7PL5-FDTN-VGN	24,600	237	104	347-480VAC	NW 4000K - 70 CRI	Glass	Type II Medium

All values typical unless otherwise stated (tolerance +/- 10%). See ordering information chart for additional options.

DISCLAIMER. All product information provided is, to the best of Dialight's knowledge, accurate as of the date of publication. When ordering, refer to www.dialight.com for current versions of: (a) relevant product documentation (including the relevant product data sheets); (b) Dialight terms and conditions of sale; and, (c) the relevant product warranty. To the extent that any contract is deemed formed between Dialight and the purchaser of Dialight products and/or an end-user, versions of documents available at www.dialight.com as at the date of sale shall be the versions incorporated therein. In the event of any discrepancy between this document or information provided at www.dialight.com, the latter shall prevail.

Lumen Tables

Lumen Output Family	Wattage (120-277 VAC)	Wattage (347-480 VAC)	Optic Character	Optic	PC Optic Only				Glass Lens				Polycarbonate Lens			
					5000K	4000K	2700K	2200K	5000K	4000K	2700K	2200K	5000K	4000K	2700K	2200K
12klm	81	84	P	Type II Medium	12,012	12,012	9,826	10,126	10,270	10,270	8,401	8,658	9,165	9,165	7,497	7,726
			J	Type III Short	11,418	11,418	9,340	9,625	-	-	-	-	-	-	-	-
			Q	Type III Medium	12,342	12,342	10,096	10,404	10,552	10,552	8,632	8,896	9,417	9,417	7,703	7,938
			6	Type V	13,200	13,200	10,200	10,400	12,500	12,500	9,500	9,700	11,700	11,700	8,800	9,000
18klm	124	128	P	Type II Medium	17,381	17,381	14,218	14,652	14,861	14,861	12,156	12,528	13,262	13,262	10,848	11,180
			J	Type III Short	16,522	16,522	13,515	13,928	-	-	-	-	-	-	-	-
			Q	Type III Medium	17,859	17,859	14,608	15,055	15,269	15,269	12,490	12,872	13,626	13,626	11,146	11,487
			6	Type V	19,100	19,100	14,800	15,100	18,000	18,000	13,800	14,000	17,000	17,000	12,700	13,000
24klm	175	179	P	Type II Medium	22,750	22,750	18,610	19,178	19,451	19,451	15,911	16,397	17,358	17,358	14,199	14,633
			J	Type III Short	21,625	21,625	17,689	18,230	-	-	-	-	-	-	-	-
			Q	Type III Medium	23,375	23,375	19,121	19,705	19,986	19,986	16,348	16,848	17,835	17,835	14,589	15,035
			6	Type V	25,000	25,000	19,400	19,800	23,600	23,600	18,000	18,400	22,300	22,300	16,600	17,000
30klm	234	237	P	Type II Medium	28,756	28,756	23,522	24,241	24,586	24,586	20,112	20,726	21,941	21,941	17,948	18,496
			J	Type III Short	27,334	27,334	22,359	23,043	-	-	-	-	-	-	-	-
			Q	Type III Medium	29,546	29,546	24,169	24,907	25,262	25,262	20,664	21,296	22,544	22,544	18,441	19,004
			6	Type V	31,600	31,600	24,500	25,000	29,900	29,900	22,800	23,200	28,100	28,100	21,000	21,500

DISCLAIMER. All product information provided is, to the best of Dialight's knowledge, accurate as of the date of publication. When ordering, refer to www.dialight.com for current versions of: (a) relevant product documentation (including the relevant product data sheets); (b) Dialight terms and conditions of sale; and, (c) the relevant product warranty. To the extent that any contract is deemed formed between Dialight and the purchaser of Dialight products and/or an end-user, versions of documents available at www.dialight.com as at the date of sale shall be the versions incorporated therein. In the event of any discrepancy between this document or information provided at www.dialight.com, the latter shall prevail.

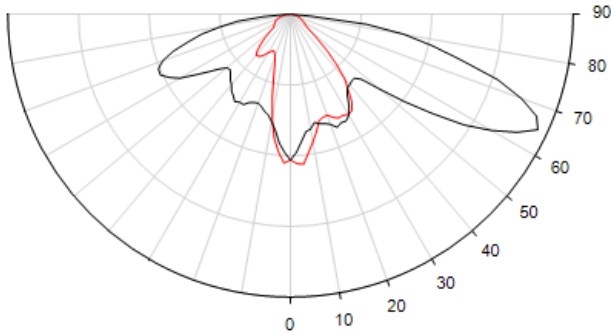
Inrush Current

S1 Models				
VAC	120	277	347	480
Peak inrush current (A)	7.7	17.8	4.1	5.7
Duration, T50 (ms)	1.5	1.5	1.5	1.5

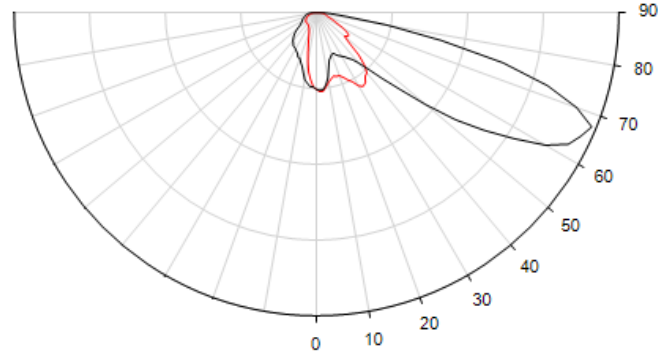
DISCLAIMER. All product information provided is, to the best of Dialight's knowledge, accurate as of the date of publication. When ordering, refer to www.dialight.com for current versions of: (a) relevant product documentation (including the relevant product data sheets); (b) Dialight terms and conditions of sale; and, (c) the relevant product warranty. To the extent that any contract is deemed formed between Dialight and the purchaser of Dialight products and/or an end-user, versions of documents available at www.dialight.com as at the date of sale shall be the versions incorporated therein. In the event of any discrepancy between this document or information provided at www.dialight.com, the latter shall prevail.

Beam Distribution

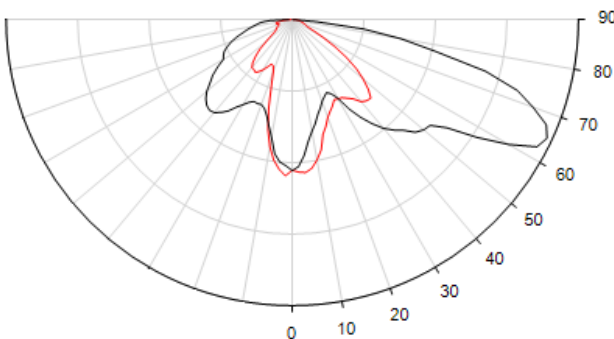
Type II Medium



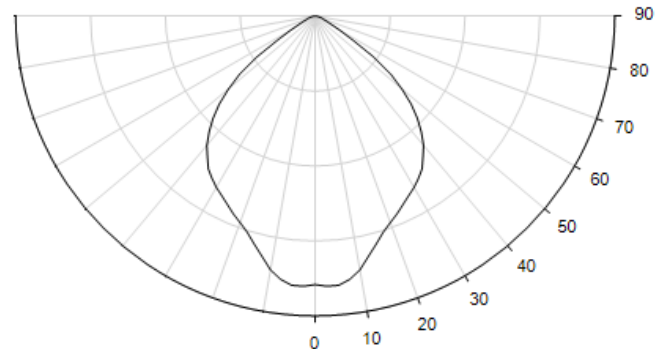
Type III Short



Type III Medium



Type V

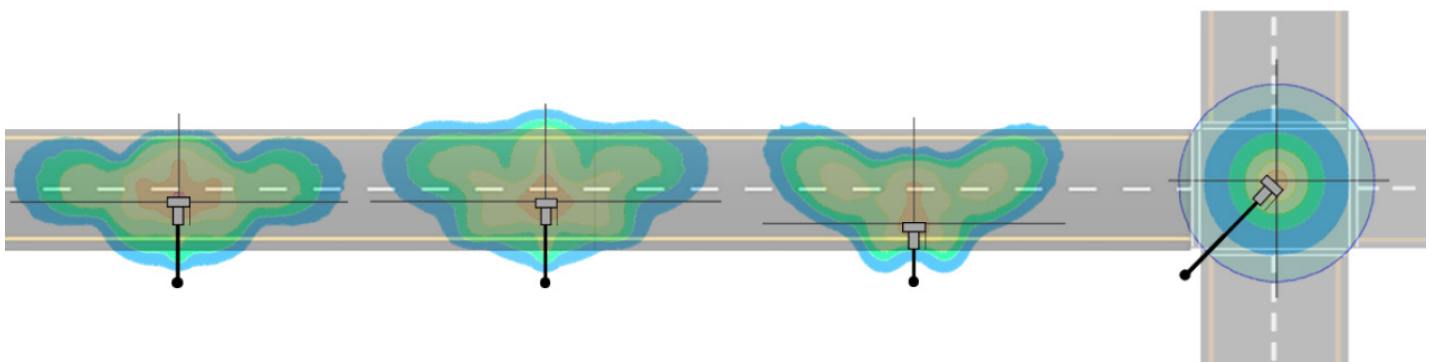


Type II (P)

Type III (Q)

Type III Short (J)

Type V (6)



DISCLAIMER. All product information provided is, to the best of Dialight's knowledge, accurate as of the date of publication. When ordering, refer to www.dialight.com for current versions of: (a) relevant product documentation (including the relevant product data sheets); (b) Dialight terms and conditions of sale; and, (c) the relevant product warranty. To the extent that any contract is deemed formed between Dialight and the purchaser of Dialight products and/or an end-user, versions of documents available at www.dialight.com as at the date of sale shall be the versions incorporated therein. In the event of any discrepancy between this document or information provided at www.dialight.com, the latter shall prevail.

Lumen Maintenance Factor - S1

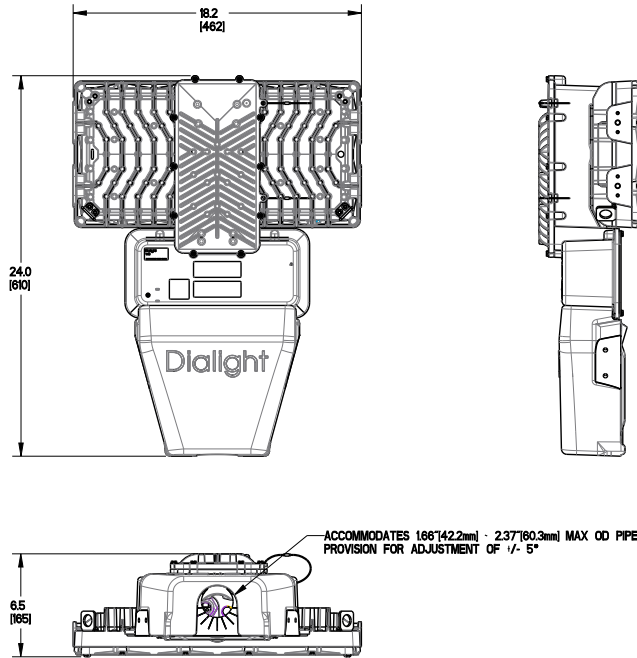
12k lm (Hours)									
Ambient	0	15000	30000	45000	60000	75000	90000	100000	150000
25°C	100%	98%	97%	96%	96%	95%	94%	93%	91%
30°C	99%	97%	96%	95%	95%	94%	93%	92%	90%
35°C	98%	96%	96%	95%	95%	94%	93%	92%	90%
40°C	98%	96%	95%	94%	94%	93%	92%	91%	89%
45°C	97%	95%	94%	93%	93%	92%	91%	90%	88%
50°C	96%	94%	94%	93%	93%	92%	91%	90%	88%
55°C	96%	94%	93%	92%	91%	90%	90%	89%	87%
60°C	95%	93%	92%	91%	91%	90%	89%	89%	86%
65°C	94%	92%	92%	91%	90%	89%	88%	88%	85%

30k lm (Hours)									
Ambient	0	15000	30000	45000	60000	75000	90000	100000	150000
25°C	100%	98%	95%	93%	91%	89%	87%	85%	79%
30°C	99%	97%	94%	92%	90%	88%	86%	84%	78%
35°C	98%	96%	93%	91%	89%	87%	85%	83%	77%
40°C	97%	94%	92%	90%	88%	85%	83%	82%	76%
45°C	96%	93%	91%	88%	86%	84%	82%	81%	74%
50°C	94%	92%	90%	87%	85%	83%	81%	79%	72%
55°C	93%	91%	88%	86%	84%	81%	79%	78%	71%
60°C	92%	90%	87%	85%	82%	80%	78%	76%	70%
65°C	91%	88%	86%	84%	81%	79%	77%	75%	68%

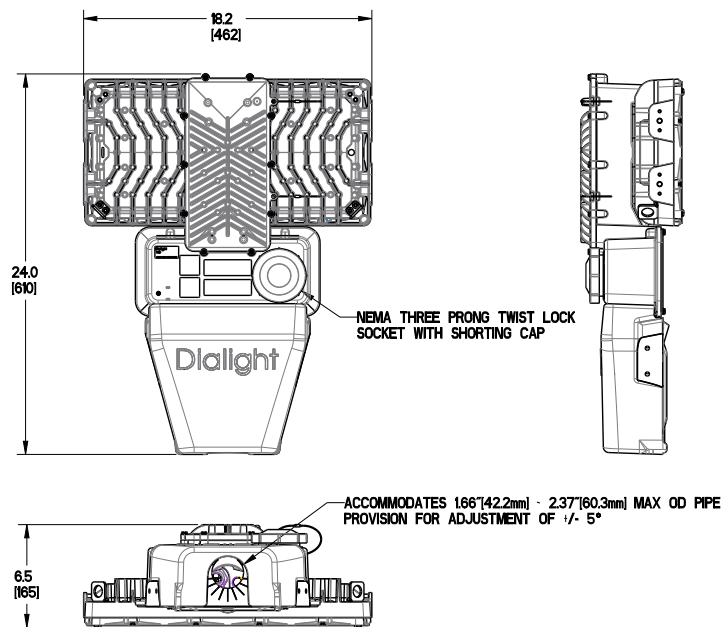
DISCLAIMER. All product information provided is, to the best of Dialight's knowledge, accurate as of the date of publication. When ordering, refer to www.dialight.com for current versions of: (a) relevant product documentation (including the relevant product data sheets); (b) Dialight terms and conditions of sale; and, (c) the relevant product warranty. To the extent that any contract is deemed formed between Dialight and the purchaser of Dialight products and/or an end-user, versions of documents available at www.dialight.com as at the date of sale shall be the versions incorporated therein. In the event of any discrepancy between this document or information provided at www.dialight.com, the latter shall prevail.

Dimensional Drawings

S1 Streetlight



S1 Streetlight Receptacle with Cap

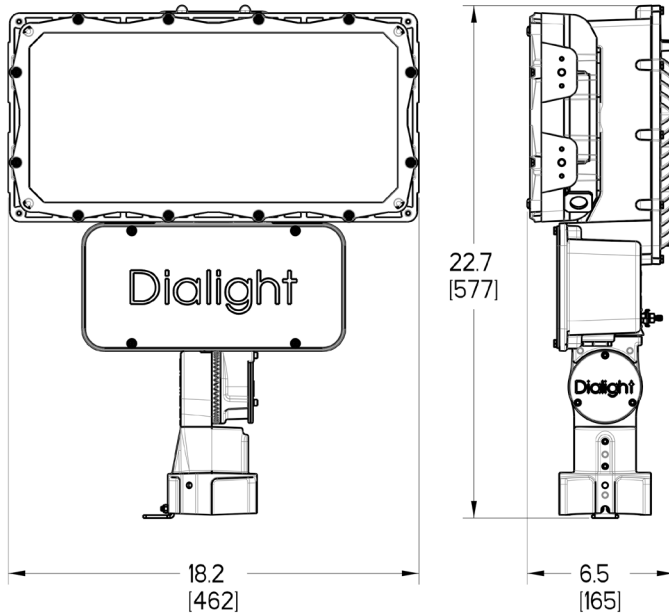


Dimensions in inches [mm]

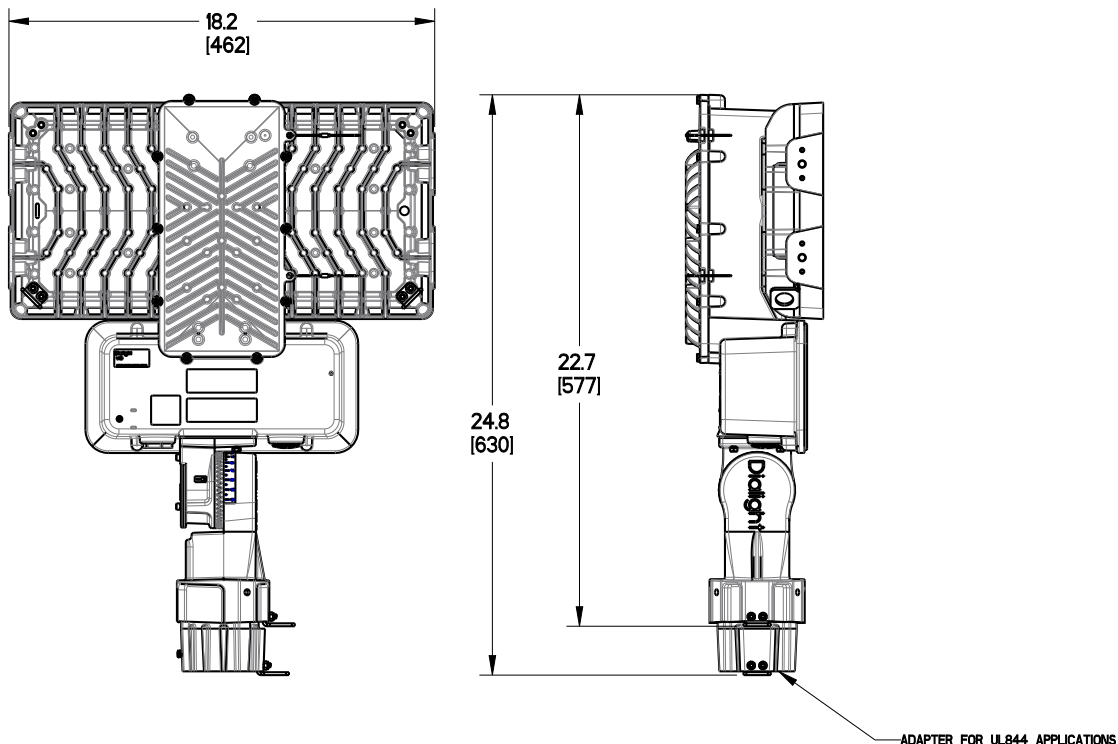
DISCLAIMER. All product information provided is, to the best of Dialight's knowledge, accurate as of the date of publication. When ordering, refer to www.dialight.com for current versions of: (a) relevant product documentation (including the relevant product data sheets); (b) Dialight terms and conditions of sale; and, (c) the relevant product warranty. To the extent that any contract is deemed formed between Dialight and the purchaser of Dialight products and/or an end-user, versions of documents available at www.dialight.com as at the date of sale shall be the versions incorporated therein. In the event of any discrepancy between this document or information provided at www.dialight.com, the latter shall prevail.

Dimensional Drawings

Slipfitter Bracket - UL 1598/A



Slipfitter Bracket - UL 844 (CID2 Only)



Dimensions in inches [mm]

DISCLAIMER. All product information provided is, to the best of Dialight's knowledge, accurate as of the date of publication. When ordering, refer to www.dialight.com for current versions of: (a) relevant product documentation (including the relevant product data sheets); (b) Dialight terms and conditions of sale; and, (c) the relevant product warranty. To the extent that any contract is deemed formed between Dialight and the purchaser of Dialight products and/or an end-user, versions of documents available at www.dialight.com as at the date of sale shall be the versions incorporated therein. In the event of any discrepancy between this document or information provided at www.dialight.com, the latter shall prevail.

Accessories

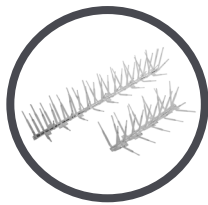


H6XCAB72²

- 72" stainless steel safety rope
- Kit includes: (1) cable

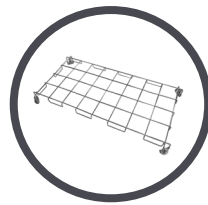
H6XCAB60²

- 60" stainless steel safety rope
- Kit includes: (1) cable



F1SPIKES

- Bird spikes



FLWG

- Wire guard
- Kit includes (1) assembly

¹Brackets and adapters require the tenon pole topper (FLX-1TPT-20DB/LG) to mount streetlight. Tenon pole topper sold separately.

²S1 models require 1 cable per unit.

Replacements



SLPC01R

- Photocell, 105-305 VAC

SLPC02R

- Photocell, 312-382 VAC

SLPC03R

- Photocell, 432-528 VAC

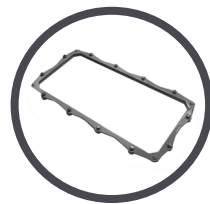


FL10KV277

- 10kA surge protection 100-277V

FL10KV480

- 10kA surge protection 347-480V



FLGLASSLG

- Glass lens, gray

FLGLASSLZ

- Glass lens, bronze

FLPCLG

- Polycarb lens, gray

FLPCLZ

- Polycarb lens, bronze

- Kit includes (1) assembly

Replacement Power Supplies	
Part Number	Description
F1PS2B	120-277V Power Supply, 12k lm
F1PS2C	120-277V Power Supply, 18k lm
F1PS2E	120-277V Power Supply, 24k lm
F1PS2F	120-277V Power Supply, 30k lm
F1PS5B	347-480V Power Supply, 12k lm
F1PS5C	347-480V Power Supply, 18k lm
F1PS5E	347-480V Power Supply, 24k lm
F1PS5F	347-480V Power Supply, 30k lm

DISCLAIMER. All product information provided is, to the best of Dialight's knowledge, accurate as of the date of publication. When ordering, refer to www.dialight.com for current versions of: (a) relevant product documentation (including the relevant product data sheets); (b) Dialight terms and conditions of sale; and, (c) the relevant product warranty. To the extent that any contract is deemed formed between Dialight and the purchaser of Dialight products and/or an end-user, versions of documents available at www.dialight.com as at the date of sale shall be the versions incorporated therein. In the event of any discrepancy between this document or information provided at www.dialight.com, the latter shall prevail.

North American HQ

1501 Route 34 South
Farmingdale, NJ 07727

Tel: 732-919-3119

Fax: 732-751-5778

info@dialight.com

WARNING / DISCLAIMERS:

Installation & secondary retention. The use of this product without proper installation (including secondary retention / netting) and periodic inspections, could cause severe injury or death. Dialight recommends that all installations should use secondary retention / netting (appropriate to the installation environment) as applicable. Dialight products are intended for ultimate purchase, installation and operation by knowledgeable persons trained in the functional assessment, installation, use and maintenance of such products and all customers (including but not limited to end customers) are responsible for assessing the suitability of Dialight products for any given installation requirement. It is the exclusive responsibility of the contractor, installer and/or end-user to: (a) determine the suitability of the product for its intended application; and, (b) ensure that the product is safely installed (with secondary retention / netting as appropriate) and in compliance with all applicable laws and regulations.

Product specifications & warranties. All product information provided is, to the best of Dialight's knowledge, accurate as of the date of publication. All values and performance data herein are design or typical values when measured under laboratory conditions. The information herein is subject to change without notice. The products / software detailed herein are subject to applicable warranties and terms and conditions of use/purchase. Unless agreed otherwise in writing by an authorized representative of Dialight, Dialight does not represent that its products are fit for any particular purpose and accepts no liability for the installation and/or unauthorised use of its products. When ordering, refer to www.dialight.com for current versions of: (a) relevant product documentation (including relevant product data sheets); (b) Dialight terms and conditions of sale; and, (c) the relevant product warranties. To the extent that any contract is deemed formed between Dialight and the purchaser of Dialight products and/or an end-user, versions of documents available at www.dialight.com as at the date of sale shall be the versions incorporated therein. In the event of any discrepancy between this document and information provided at www.dialight.com, the latter shall prevail.

Exclusion of liability. To the extent permissible under the relevant law, Dialight disclaims all liability for personal injury and/or other damage resulting from any dislodgment or other dislocation of its products. Whilst Dialight has used its reasonable endeavours to ensure the completeness and accuracy of information herein, Dialight does not assume any liability for damages resulting from use of this information or for any third-party representations made in relation to Dialight products.