

Dialight



SafeSite[®] LED Linear - UL 844

for Indoor & Outdoor Hazardous Applications - Americas



JANUARY 2025

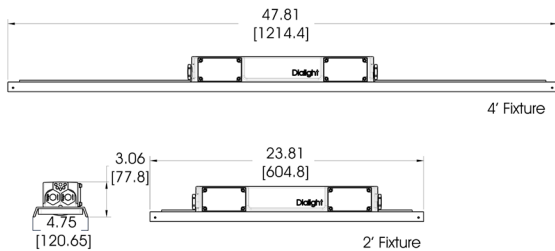
SafeSite LED Linear - UL 844

Low Profile - Class I, Div. 2 / Class II



Certifications & Ratings

- 5 year warranty
- UL 1598/A
- UL 844
- CSA C22.2 No. 137
- CSA C22.2 No. 250
- IP66 / 67
- Class I, Div. 2 Groups A, B, C & D
- Class II, Div. 1 Groups E, F & G
- Class II, Div. 2 Groups F & G
- Class III
- NEMA 4X
- L70 rated for >100,000 hours @ 25°C ambient



Dimensions in inches [mm]

Temperature Ratings

Ambient Temperature Range T4A Temperature Code	Ambient Temperature Range T5 Temperature Code
-40°F to +149°F (-40°C to +65°C)	-40°F to +113°F (-40°C to +45°C)

Mechanical Information:

- Fixture weight:** 4' - 10 lb (4.5 kg)
2' - 7 lb (3.2 kg)
- Shipping weight:** 4' - 11 lb (5.0 kg)
2' - 8 lb (3.6 kg)
- Mounting:** (4) 3/4" NPT openings
Optional swivel bracket - LPXW4
Optional low profile bracket - LPXW4LP

Electrical Specifications:

- Operating voltage:** 100-277 VAC, 50/60Hz
- Power consumption:** See ordering information
- Operating temp:** -40°F to +149°F (-40°C to +65°C)
- Harmonics:** IEC 61000-3-2
- Noise Requirements/EMC:** FCC Title 47, Subpart B, Section 15, Class A device. RF Immunity; 10V/m, 80MHz-1GHz
- Surge protection:** EN 61000-4-5
4 kV line-to-line
4 kV line-to-ground
- THD:** < 20%
- Power factor:** > 0.9

Construction:

- Finish:** Superior dual coat finish
- Sealed polyester topcoat
- Chemical resistant epoxy primer
- Lens:** Polycarbonate

Photometric Information:

- CRI:** 75, 80
- CCT:** 5000K (cool white)
4000K (neutral white)
- IES files:** Available at www.dialight.com

All values typical unless otherwise stated (tolerance +/- 10%)

SafeSite LED Linear - UL 844

Low Profile - Class I, Div. 2 / Class II - Ordering Information

Classifications: CID2 A, B, C, D • CIID1 E, F, G • CIID2 F, G • CIII

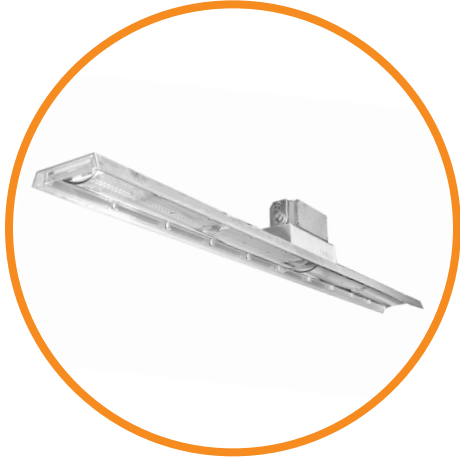
Part Number	Length	CRI	CID1	CID2	CIID1	CIID2	CIII	Fixture Lumens	Watt	lm/W	Voltage	CCT	Lens	Beam Distribution
Class I, Div. 2 Models														
LPD3C4M2P	4'	75		•				7,250	66	110	100-277 VAC	5000K (cool white)	Clear	Medium
LPD3C4H2W	4'	75		•				6,700	66	102	100-277 VAC	5000K (cool white)	Diffused	Medium
LPD3B4M2P	4'	80		•				6,500	66	98	100-277 VAC	5000K (cool white)	Clear	Medium
LPD3B4H2W	4'	80		•				6,000	66	91	100-277 VAC	5000K (cool white)	Diffused	Medium
LPD3C4D2P	2'	75		•				3,600	33	109	100-277 VAC	5000K (cool white)	Clear	Medium
LPD3C4B2W	2'	75		•				3,300	33	100	100-277 VAC	5000K (cool white)	Diffused	Medium
LPD3B4D2P	2'	80		•				3,200	33	97	100-277 VAC	5000K (cool white)	Clear	Medium
LPD3B4B2W	2'	80		•				2,900	33	88	100-277 VAC	5000K (cool white)	Diffused	Medium
Class II Models														
LPF3C4M2P	4'	75			•	•	•	7,000	66	106	100-277 VAC	5000K (cool white)	Clear	Medium
LPF3C4H2W	4'	75			•	•	•	6,500	66	98	100-277 VAC	5000K (cool white)	Diffused	Medium
LPF3B4M2P	4'	80			•	•	•	6,300	66	95	100-277 VAC	5000K (cool white)	Clear	Medium
LPF3B4H2W	4'	80			•	•	•	6,000	66	91	100-277 VAC	5000K (cool white)	Diffused	Medium
LPF3C4D2P	2'	75			•	•	•	3,500	33	106	100-277 VAC	5000K (cool white)	Clear	Medium
LPF3C4B2W	2'	75			•	•	•	3,300	33	97	100-277 VAC	5000K (cool white)	Diffused	Medium
LPF3B4D2P	2'	80			•	•	•	3,000	33	91	100-277 VAC	5000K (cool white)	Clear	Medium
LPF3B4B2W	2'	80			•	•	•	2,700	33	82	100-277 VAC	5000K (cool white)	Diffused	Medium

All values typical unless otherwise stated, Lumen values are typical (tolerance +/- 10%).

Part numbers listed in the table above are cool white. For neutral white model, replace the 5th character with N. Ex. LPD3C4M2P becomes LPD3N4M2P

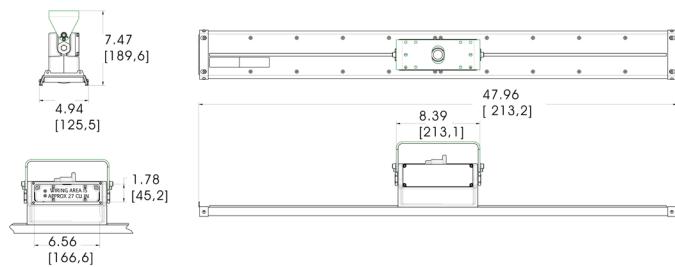
SafeSite LED Linear - UL 844

Top Conduit - Class I, Div. 2 / Class II



Certifications & Ratings

- 5 year warranty
- UL 1598/A
- UL 844
- CSA C22.2 No. 137
- CSA C22.2 No. 250
- IP66
- L70 rated for >100,000 hours @ 25°C ambient
- Class I, Div. 2 Groups A, B, C & D
- Class II, Div. 1 Groups E, F & G
- Class II, Div. 2 Groups F & G
- Class III
- NEMA 4X



Dimensions in inches [mm]

Temperature Ratings

Ambient Temperature Range T4A Temperature Code	Ambient Temperature Range T5 Temperature Code
-40°F to +149°F (-40°C to +65°C)	-40°F to +113°F (-40°C to +45°C)

Mechanical Information:

- Fixture weight:** 4' - 10 lb (4.5 kg)
2' - 7 lb (3.2 kg)
- Shipping weight:** 4' - 11 lb (5.0 kg)
2' - 8 lb (3.6 kg)
- Mounting:** (3) 3/4" NPT openings
Optional swivel bracket - LTXW4
Optional low profile bracket - LTXW4LP

Electrical Specifications:

- Operating voltage:** 100-277 VAC, 50/60Hz
- Power consumption:** See ordering information
- Operating temp:** -40°F to +149°F (-40°C to +65°C)
- Harmonics:** IEC 61000-3-2
- Noise Requirements/EMC:** FCC Title 47, Subpart B, Section 15, Class A device. RF Immunity; 10V/m, 80MHz-1GHz
- Surge protection:** EN 61000-4-5
4 kV line-to-line
4 kV line-to-ground
- THD:** < 20%
- Power factor:** > 0.9

Construction:

- Finish:** Superior dual coat finish
- Sealed polyester topcoat
- Chemical resistant epoxy primer
- Lens:** Polycarbonate

Photometric Information:

- CRI:** 75, 80
- CCT:** 5000K (cool white)
4000K (neutral white)
- IES files:** Available at www.dialight.com

All values typical unless otherwise stated (tolerance +/- 10%)

WARNING - INSTALLATION & SECONDARY RETENTION. Use of any Dialight products without proper installation (including secondary retention / netting) and periodic inspections could cause severe injury or death. Dialight recommends that all installations should use secondary retention / netting (appropriate to the installation environment) where applicable. It is the exclusive responsibility of the contractor, installer and/or end-user to: (a) determine the suitability of the product for its intended application; and, (b) ensure that the product is safely installed (with secondary retention / netting where appropriate) and in compliance with all applicable laws and regulations. To the extent permissible under applicable laws, Dialight disclaims all liability for personal injury and/or other damage resulting from any dislodgment or other dislocation of its products.

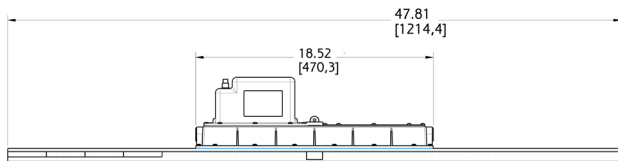
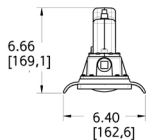
SafeSite LED Linear - UL 844

Class I, Div. 2 / Class II



Certifications & Ratings

- 5 year warranty
- UL 1598/A
- UL 844
- UL 924
- CSA C22.2 No. 137
- CSA C22.2 No. 250
- IP66
- L70 rated for >100,000 hours @ 25°C ambient
- Class I, Div. 2 Groups A, B, C & D
- Class II, Div. 1 Groups E, F & G
- Class II, Div. 2 Groups F & G
- Class III
- NEMA 4X



Dimensions in inches [mm]

Temperature Ratings

Ambient Temperature Range T4A Temperature Code	Ambient Temperature Range T5 Temperature Code
-4°F to +149°F (-20°C to +65°C)	-4°F to +113°F (-20°C to +45°C)

Mechanical Information:

- Fixture weight:** 18 lb (8.2 kg)
- Shipping weight:** 21 lb (9.5 kg)
- Mounting:** (1) Threaded 3/4" NPT side
(2) Threaded 3/4" NPT ends

Electrical Specifications:

- Operating voltage:** 120-277 VAC, 50/60Hz
- Power consumption:** 85W
- Operating temp:** -4°F to +149°F (-20°C to +65°C)
- Battery:** 3.6V 10Ah NiMH
- Battery duration*:** > 3 hours
- Harmonics:** IEC 61000-3-2
- Noise Requirements/EMC:** FCC Title 47, Subpart B, Section 15, Class A device. RF Immunity; 10V/m, 80MHz-1GHz
- Surge protection:** EN 61000-4-5
1 kV line-to-line
2 kV line-to-ground
- THD:** < 20%
- Power factor:** > 0.9

Construction:

- Finish:** Superior dual coat finish
- Sealed polyester topcoat
- Chemical resistant epoxy primer
- Lens:** Polycarbonate

Photometric Information:

- CRI:** 75
- CCT:** 5000K (cool white)
- IES files:** Available at www.dialight.com

All values typical unless otherwise stated (tolerance +/- 10%)
* @ 25°C ambient

WARNING - INSTALLATION & SECONDARY RETENTION. Use of any Dialight products without proper installation (including secondary retention / netting) and periodic inspections could cause severe injury or death. Dialight recommends that all installations should use secondary retention / netting (appropriate to the installation environment) where applicable. It is the exclusive responsibility of the contractor, installer and/or end-user to: (a) determine the suitability of the product for its intended application; and, (b) ensure that the product is safely installed (with secondary retention / netting where appropriate) and in compliance with all applicable laws and regulations. To the extent permissible under applicable laws, Dialight disclaims all liability for personal injury and/or other damage resulting from any dislodgment or other dislocation of its products.

SafeSite LED Linear - UL 844

Class I, Div. 2 / Class II - Ordering Information

Classifications: CID1 C, D • CID2 A, B, C, D • CIID1 E, F, G • CIID2 F, G • CIID1 • CIID2

This fixture is offered in sustained and maintained configurations.

Sustained has a single AC input and battery backup mode is entered upon any loss of power. Fixture cannot be turned off without entering battery backup mode.

Maintained has two AC inputs. The fixture can be turned on and off via AC-1 and Fixture only enters battery backup mode when AC-2 is lost or low.

Part Number	Length	CRI	Type	CID1	CID2	CIID1	CIID2	CIII	Voltage	Lens	CCT	Fixture Lumens	Watt	lm/W	Beam Distribution
Class I, Div. 1 Models															
LSC3C4MEGEX	4'	75	Sustained	•	•				120-277 VAC	Clear	5000K (cool white)	7,250	85	85	Medium
Class I, Div. 2 Models															
LSD3C4MEP	4'	75	Sustained		•				120-277 VAC	Clear	5000K (cool white)	7,000	85	82	Medium
LSD3C4MNP	4'	75	Maintained		•				120-277 VAC	Clear	5000K (cool white)	7,000	85	82	Medium
Class II Models															
LSF3C4MEP	4'	75	Sustained			•	•	•	120-277 VAC	Clear	5000K (cool white)	7,000	85	82	Medium
LSF3C4MNP	4'	75	Maintained			•	•	•	120-277 VAC	Clear	5000K (cool white)	7,000	85	82	Medium

All values typical unless otherwise stated, Lumen values are typical (tolerance +/- 10%).

Part numbers listed in the above table are cool white. For neutral white models replace the 5th character with N. Ex. LSF3C4MEP becomes LSF3N4MEP

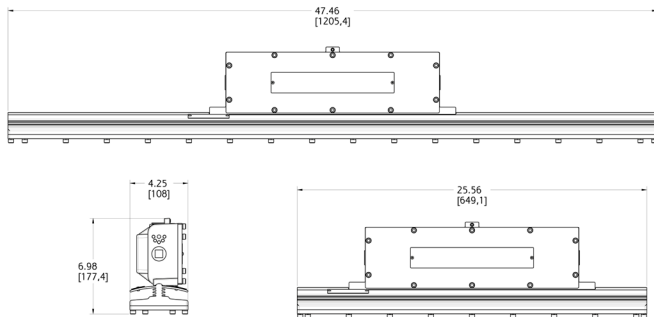
SafeSite LED Linear - UL 844

Class I, Div. 1



Certifications & Ratings

- 5 year warranty
- UL1598
- UL844
- CSA C22.2 No. 137
- Class I, Div. 1 Groups C & D
- IP66
- NEMA 4X
- L70 rated for >100,000 hours @ 25°C ambient



Dimensions in inches [mm]

Temperature Ratings

Ambient Temperature Range T4A Temperature Code	Ambient Temperature Range T5 Temperature Code
-40°F to +149°F (-40°C to +65°C)	-40°F to +113°F (-40°C to +45°C)

Mechanical Information:

- Fixture weight:** 4' - 26 lb (11.8 kg)
2' - 17.5 lb (7.9 kg)
- Shipping weight:** 4' - 28 lb (12.7 kg)
2' - 19.5 lb (8.8 kg)
- Mounting:** (1) Threaded 3/4" NPT side
(2) Threaded 3/4" NPT ends

Electrical Specifications:

- Operating voltage:** 100-277 VAC, 50/60Hz or 347/480 VAC, 50/60Hz
- Power consumption:** See ordering information
- Operating temp:** -40°F to +149°F (-40°C to +65°C)
- Harmonics:** IEC 61000-3-2
- Noise Requirements/EMC:** FCC Title 47, Subpart B, Section 15, Class A device. RF Immunity; 10V/m, 80MHz-1GHz
- Surge protection:** EN 61000-4-5
4 kV line-to-line
4 kV line-to-ground
- THD:** < 20%
- Power factor:** > 0.9

Construction:

- Finish:** Superior dual coat finish
- Sealed polyester topcoat
- Chemical resistant epoxy primer

- Lens:** Glass

Photometric Information:

- CRI:** 75
- CCT:** 5000K (cool white)
400K (neutral white)
- IES files:** Available upon request

All values typical unless otherwise stated (tolerance +/- 10%)

WARNING - INSTALLATION & SECONDARY RETENTION. Use of any Dialight products without proper installation (including secondary retention / netting) and periodic inspections could cause severe injury or death. Dialight recommends that all installations should use secondary retention / netting (appropriate to the installation environment) where applicable. It is the exclusive responsibility of the contractor, installer and/or end-user to: (a) determine the suitability of the product for its intended application; and, (b) ensure that the product is safely installed (with secondary retention / netting where appropriate) and in compliance with all applicable laws and regulations. To the extent permissible under applicable laws, Dialight disclaims all liability for personal injury and/or other damage resulting from any dislodgment or other dislocation of its products.

SafeSite LED Linear - UL 844

Class I, Div. 1 - Ordering Information

Classifications: CID1 C, D

Platform Part Number	Legacy Part Number	Length	CRI	Voltage	Lens	CCT	Fixture Lumens	Watt	lm/W	Beam Distribution
100-277 VAC Models										
LRC7MB27NNNNGN	LSC3C4M3GEX	4'	75	100-277 VAC	Tempered glass	5000K (cool white)	7,250	68	106	Medium
LSC7MB23NNNNGN	LSC3C4D3GEX	2'	75	100-277 VAC	Tempered glass	5000K (cool white)	3,600	34	106	Medium
347/480 VAC Models										
LRC7MB57NNNNGN	LSC3C5M3GEX	4'	75	347/480 VAC	Tempered glass	5000K (cool white)	7,250	100	72	Medium
LSC7MB53NNNNGN	LSC3C5D3GEX	2'	75	347/480 VAC	Tempered glass	5000K (cool white)	3,600	50	72	Medium

All values typical unless otherwise stated, Lumen values are typical (tolerance +/- 10%).

Part numbers listed in the table above are cool white. For neutral white, model replace the 5th character with N. Ex. LSC3C4D3GEX becomes LSC3N4D3GEX.

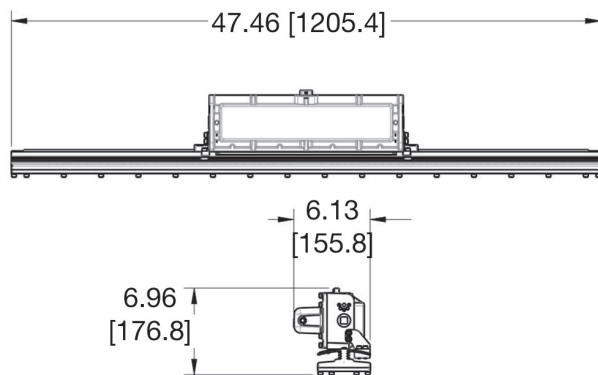
DISCLAIMER. All product information provided is, to the best of Dialight's knowledge, accurate as of the date of publication. When ordering, refer to www.dialight.com for current versions of: (a) relevant product documentation (including the relevant product data sheets); (b) Dialight terms and conditions of sale; and, (c) the relevant product warranty. To the extent that any contract is deemed formed between Dialight and the purchaser of Dialight products and/or an end-user, versions of documents available at www.dialight.com as at the date of sale shall be the versions incorporated therein. In the event of any discrepancy between this document or information provided at www.dialight.com, the latter shall prevail.

SafeSite LED Linear - UL 844 Battery Backup - Class I, Div. 1



Certifications & Ratings

- 5 year warranty
- UL 1598/A
- UL 844
- CSA C22.2 No. 137
- CSA C22.2 No. 250
- Class I, Div. 1 Groups C & D
- Class I, Div. 2 Groups A, B, C & D
- IP66
- NEMA 4X
- L70 rated for >100,000 hours @ 25°C ambient



Dimensions in inches [mm]

Temperature Ratings

Ambient Temperature Range T4A Temperature Code

-4°F to +149°F (-20°C to +65°C)

Mechanical Information:

Fixture weight:	32 lb (14.5 kg)
Shipping weight:	35 lb (15.9 kg)
Mounting:	(1) Threaded 3/4" NPT side (2) Threaded 3/4" NPT ends

Electrical Specifications:

Operating voltage:	120-277 VAC, 50/60Hz
Power consumption:	85W
Operating temp:	-4°F to +149°F (-20°C to +65°C)
Battery:	3.6V 10Ah NiMH
Lumen output in battery mode:	500lm
Battery duration*:	> 3 hours
Harmonics:	IEC 61000-3-2
Noise Requirements/EMC:	FCC Title 47, Subpart B, Section 15, Class A device. RF Immunity; 10V/m, 80MHz-1GHz
Surge protection:	EN 61000-4-5 1 kV line-to-line 2 kV line-to-ground
THD:	< 20%
Power factor:	> 0.9

Construction:

Finish:	Superior dual coat finish - Sealed polyester topcoat - Chemical resistant epoxy primer
Lens:	Tempered glass

Photometric Information:

CRI:	75
CCT:	5000K (cool white)
IES files:	available at www.dialight.com

All values typical unless otherwise stated (tolerance +/- 10%)

* @ 25°C ambient

WARNING - INSTALLATION & SECONDARY RETENTION. Use of any Dialight products without proper installation (including secondary retention / netting) and periodic inspections could cause severe injury or death. Dialight recommends that all installations should use secondary retention / netting (appropriate to the installation environment) where applicable. It is the exclusive responsibility of the contractor, installer and/or end-user to: (a) determine the suitability of the product for its intended application; and, (b) ensure that the product is safely installed (with secondary retention / netting where appropriate) and in compliance with all applicable laws and regulations. To the extent permissible under applicable laws, Dialight disclaims all liability for personal injury and/or other damage resulting from any dislodgment or other dislocation of its products.

SafeSite LED Linear - UL 844

Class I, Div. 1 - Ordering Information

Battery Backup

Classifications: CID1 C, D • CID2 A, B, C, D

This fixture is offered in sustained and maintained configurations.

Sustained has a single AC input and battery backup mode is entered upon any loss of power. Fixture cannot be turned off without entering battery backup mode.

Maintained has two AC inputs. The fixture can be turned on and off via AC-1 and Fixture only enters battery backup mode when AC-2 is lost or low.

Part Number	Length	CRI	Type	CID1	CID2	CIID1	CIID2	CIII	Voltage	Lens	CCT	Fixture Lumens	Watt	lm/W	Beam Distribution
Class I, Div. 1 Models															
LSC3C4MEGEX	4'	75	Sustained	•	•				120-277 VAC	Clear	5000K (cool white)	7,250	85	85	Medium

DISCLAIMER. All product information provided is, to the best of Dialight's knowledge, accurate as of the date of publication. When ordering, refer to www.dialight.com for current versions of: (a) relevant product documentation (including the relevant product data sheets); (b) Dialight terms and conditions of sale; and, (c) the relevant product warranty. To the extent that any contract is deemed formed between Dialight and the purchaser of Dialight products and/or an end-user, versions of documents available at www.dialight.com as at the date of sale shall be the versions incorporated therein. In the event of any discrepancy between this document or information provided at www.dialight.com, the latter shall prevail.

Hazardous Locations Ratings

Fixed and portable fixtures for installation and use in hazardous (classified) locations Class I, Divisions 1 and 2, Groups A, B, C, and D; Class II, Division 1, Groups E, F, and G; Class II, Division 2, Groups F and G; and Class III, Divisions 1 and 2, in accordance with the National Electrical Code, NFPA 70

Classes

The classes define the general nature of hazardous material in the surrounding atmosphere.

Class	Hazardous Material in Surrounding Atmosphere
Class I	Hazardous because flammable gases or vapors are present in the air in quantities sufficient to produce explosive or ignitable mixtures.
Class II	Hazardous because combustible or conductive dusts are present.
Class III	Hazardous because ignitable fibers or flying's are present, but not likely to be in suspension in sufficient quantities to produce ignitable mixtures. Typical wood chips, cotton, flax and nylon. Group classifications are not applied to this class.

Divisions

The division defines the probability of hazardous material being present in an ignitable concentration in the surrounding atmosphere.

Division	Presence of Hazardous Material
Division 1	The substance referred to by class is present during normal conditions.
Division 2	The substance referred to by class is present only in abnormal conditions, such as a container failure or system breakdown.

Groups

The group defines the hazardous material in the surrounding atmosphere.

Group	Hazardous Material in Surrounding Atmosphere
Group A	Acetylene
Group B	Hydrogen, fuel and combustible process gases containing more than 30% hydrogen by volume or gases of equivalent hazard such as butadiene, ethylene, oxide, propylene oxide and acrolein.
Group C	Carbon monoxide, ether, hydrogen sulfide, morphline, cyclopropane, ethyl and ethylene or gases of equivalent hazard.
Group D	Gasoline, acetone, ammonia, benzene, butane, cyclopropane, ethanol, hexane, methanol, methane, vinyl chloride, natural gas, naphtha, propane or gases of equivalent hazard.
Group E	Combustible metal dusts, including aluminum, magnesium and their commercial alloys or other combustible dusts whose particle size, abrasiveness and conductivity present similar hazards in connection with electrical equipment.
Group F	Carbonaceous dusts, carbon black, coal black, charcoal, coal or coke dusts that have more than 8% total entrapped volatiles or dusts that have been sensitized by other material so they present an explosion hazard.
Group G	Flour dust, grain dust, flour, starch, sugar, wood, plastic and chemicals.

DISCLAIMER. All product information provided is, to the best of Dialight's knowledge, accurate as of the date of publication. When ordering, refer to www.dialight.com for current versions of: (a) relevant product documentation (including the relevant product data sheets); (b) Dialight terms and conditions of sale; and, (c) the relevant product warranty. To the extent that any contract is deemed formed between Dialight and the purchaser of Dialight products and/or an end-user, versions of documents available at www.dialight.com as at the date of sale shall be the versions incorporated therein. In the event of any discrepancy between this document or information provided at www.dialight.com, the latter shall prevail.

SafeSite LED Linear - UL 844

Mounting and Accessories

Low Profile Linear



LPXW4LP

- 316 Stainless steel low profile mounting bracket
- Can be angled at 0° and 15°



LPXW4

- 316 Stainless steel mounting bracket
- Can be angled at 0°, 30°, 45°, 60° & 90°



LTXSAFEKIT

- Safety cable kit for secondary retention



LTXENDCAPKIT

- 304 Stainless steel chain mount and secondary retention bracket

Top Conduit Linear



LTXW4

- Aluminum mounting bracket
- Can be angled at 0°, 30°, 45°, 60° and 90°



LTXW4LP

- Aluminum low profile mounting bracket
- Can be angled at 0° and 15°



LTXSAFEKIT

- Safety cable kit for secondary retention



LTXENDCAPKIT

- 304 Stainless steel chain mount and secondary retention bracket



LTXLSXW4

- Retrofit bracket adapter used to connect LTM model fixtures to an existing LSXW4 bracket

SafeSite LED Linear - UL 844

Mounting and Accessories

Battery Backup Linear



LSXW4

- Aluminum mounting bracket
- Can be angled at 0°, 30°, 45°, 60° and 90°



LSXENDCAPKIT

- 304 Stainless steel chain mount brackets



HZXSAFEKIT

- Safety cable kit

Class I, Div. 1



LSXW5

- Aluminum mounting bracket
- Can be angled at 0°, 30°, 45°, 60° & 90°



HZXSAFEKIT

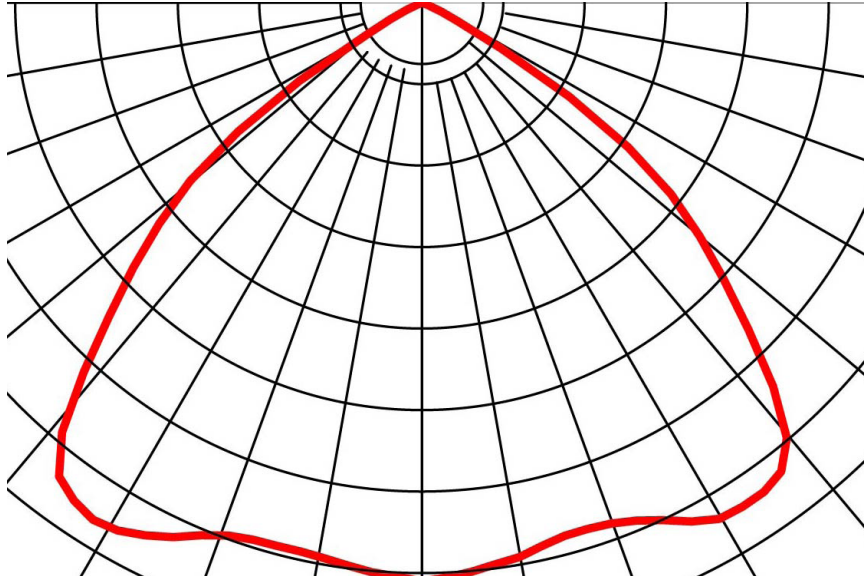
- Safety cable kit

DISCLAIMER. All product information provided is, to the best of Dialight's knowledge, accurate as of the date of publication. When ordering, refer to www.dialight.com for current versions of: (a) relevant product documentation (including the relevant product data sheets); (b) Dialight terms and conditions of sale; and, (c) the relevant product warranty. To the extent that any contract is deemed formed between Dialight and the purchaser of Dialight products and/or an end-user, versions of documents available at www.dialight.com as at the date of sale shall be the versions incorporated therein. In the event of any discrepancy between this document or information provided at www.dialight.com, the latter shall prevail.

SafeSite LED Linear - UL 844

Beam Distribution

Circular



North American HQ

1501 Route 34 South
Farmingdale, NJ 07727
Tel: 732-919-3119
Fax: 732-751-5778
info@dialight.com

Dialight Europe Ltd

Highdown House, Yeoman Way,
Worthing, England BN99 3HH
Tel: +44 (0) 203 058 3540
Customer Service: +44 (0) 163 866 6541
sales-emea@dialight.com

Middle East

Level 23 – Boulevard Plaza Tower 2
Emaar Boulevard, Dubai, U.A.E.
P.O. Box 124342
Tel: +971 (4) 409-6962
Fax: +971 (4) 409-6850

Australia

108 Howe Street
Osborne Park, WA 6017
Tel: +61 (0) 8 9244 7600
Fax: +61 (0) 8 9244 7601
info@dialight.com.au

Southeast Asia

56 Kallang Pudding Road
#09 – 08 HH@Kallang
Singapore 349328
Tel: +65 6578 7271
Fax: +65 6578 7150
enquiry@dialight.com.sg

WARNING / DISCLAIMERS:

Installation & secondary retention. The use of this product without proper installation (including secondary retention / netting) and periodic inspections, could cause severe injury or death. Dialight recommends that all installations should use secondary retention / netting (appropriate to the installation environment) as applicable. Dialight products are intended for ultimate purchase, installation and operation by knowledgeable persons trained in the functional assessment, installation, use and maintenance of such products and all customers (including but not limited to end customers) are responsible for assessing the suitability of Dialight products for any given installation requirement. It is the exclusive responsibility of the contractor, installer and/or end-user to: (a) determine the suitability of the product for its intended application; and, (b) ensure that the product is safely installed (with secondary retention / netting as appropriate) and in compliance with all applicable laws and regulations.

Product specifications & warranties. All product information provided is, to the best of Dialight's knowledge, accurate as of the date of publication. All values and performance data herein are design or typical values when measured under laboratory conditions. The information herein is subject to change without notice. The products / software detailed herein are subject to applicable warranties and terms and conditions of use/purchase. Unless agreed otherwise in writing by an authorized representative of Dialight, Dialight does not represent that its products are fit for any particular purpose and accepts no liability for the installation and/or unauthorised use of its products. When ordering, refer to www.dialight.com for current versions of: (a) relevant product documentation (including relevant product data sheets); (b) Dialight terms and conditions of sale; and, (c) the relevant product warranties. To the extent that any contract is deemed formed between Dialight and the purchaser of Dialight products and/or an end-user, versions of documents available at www.dialight.com as at the date of sale shall be the versions incorporated therein. In the event of any discrepancy between this document and information provided at www.dialight.com, the latter shall prevail.

Exclusion of liability. To the extent permissible under the relevant law, Dialight disclaims all liability for personal injury and/or other damage resulting from any dislodgment or other dislocation of its products. Whilst Dialight has used its reasonable endeavours to ensure the completeness and accuracy of information herein, Dialight does not assume any liability for damages resulting from use of this information or for any third-party representations made in relation to Dialight products.